

SONY®

FLAT WIDE DISPLAY

FWD-42LX1
FWD-32LX1

PROTOCOL MANUAL
1st Edition

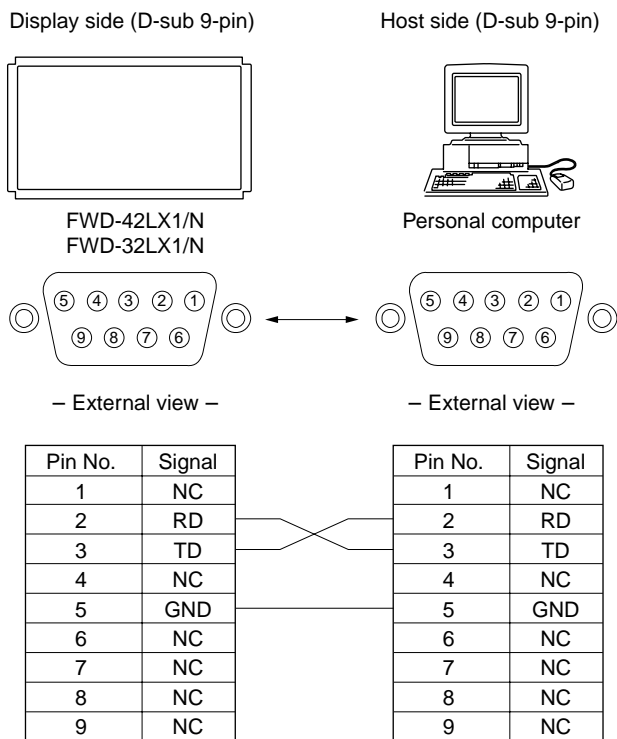
Table of Contents

1. Communication Parameter	1
2. Pin Configuration	1
3. Communication Data Format	1
4. General Function	3
5. Picture/Sound	10
6. Size/Shift	12
7. Status Enquiry	14
8. User Rest	17

1. Communication Parameter

Communication system	RS-232C
Synchronous system	Asynchronous communication
Baud rate	9600 bps
Character length	8 bit
Parity	None
Start bit	1 bit
Stop bit	1 bit
Flow control	None

2. Pin Configuration



3. Communication Data Format

(a) Control (Host → Request of Write to Display)

No.	Item	Value
1	Header	0x8C:Control
2	Category	0xXX
3	Function	0xXX
4	Data1 (Length)	0xXX
5	Data2 (Data1)	0xXX
:	:	0xXX
:	:	0xXX
X	DataX	0xXX
X+1	Check Sum	0xXX

- * Check Sum: Sum total of 1 to X. Lower one-byte data is validated when a value exceeds 255 (1 byte).
- * Set the command interval to 500 ms or more when transmitting the Control command continuously.
- * Set the command interval to 500 ms or more when transmitting the same command (Enquiry) after the Control command.

(b) Enquiry (Host → Request of Read to Display)

No.	Item	Value
1	Header	0x83:Enquiry
2	Category	0xXX
3	Function	0xXX
4	Data1	0xFF
5	Data2	0xFF
6	Check Sum	0xXX

- * Check Sum: Sum total of 1 to 5. Lower one-byte data is validated when a value exceeds 255 (1 byte).

(c) Answer (Display → Response to Host)

① Answer at the time of Control request

No.	Item	Value
1	Header	0x70: Answer
2	Answer*	0x00: Completed (Normal completion) 0x01: Limit Over (Abnormal completion: Over upper limit) 0x02: Limit Under (Abnormal completion: Under lower limit) 0x03: Command Canceled (Abnormal completion)
3	Check Sum	0xXX
* 0x00: Completed		Packet is correctly received and process is also correctly completed.
0x01: Limit Over		Packet is correctly received, but the data value is over the upper limit.
0x02: Limit Under		Packet is correctly received, but the data value is under the lower limit.
0x03: Command Canceled		Packet is correctly received, but the data value is not correct or the request cannot be accepted in the current host state.
* Check Sum:		If the value of a sum total of 1 and 2 exceeds 255 (1 byte), the data of 1 lower byte is effective.

② Answer at the time of Enquiry request
(Normal completion)

No.	Item	Value
1	Header	0x70: Answer
2	Answer	0x00: Completed
3	Return Data Size	0xXX
4	Return Data1	0xXX
:	:	0xXX
:	:	0xXX
X	Return DataX	0xXX
X+1	Check Sum	0xXX
* 0x00: Completed		Completed packet is correctly received and process is also correctly completed.
* Return Data		returns the read value.
* Check Sum:		If the value of a sum total of 1 to X exceeds 255 (1 byte), the data of 1 lower byte is effective.

③ Answer at the time of Enquiry request
(Abnormal completion)

No.	Item	Value
1	Header	0x70: Answer
2	Answer	0x03: Command Canceled (Abnormal completion)
3	Check Sum	0xXX
* 0x03: Command Canceled		Packet is correctly received, but the data value is not correct or the request cannot be accepted in the current host state.
* Check Sum:		If the value of a sum total of 1 to 2 exceeds 255 (1 byte), the data of 1 lower byte is effective.

④ Error Answer

No.	Item	Value
1	Header	0xE0: Answer
2	Answer*	0x00: No Function Error 0x01: Check Sum Error 0x02: Data Length Error
3	Check Sum	0xXX
* 0x00: No Function Error		Packet header, category and function code are not included in this protocol.
0x01: Check Sum Error		Check sum value of received packet is not correct.
0x02: Data Length Error		Packet is correctly received, but the data size is over the upper limit.

4. General Function

(a) Mode control

Syntax	Header	Category	Function	Data1	Data2	Check Sum
Control	0x8C	0x00	Code Table(1-a)[a]	0x02	Code Table(1-a)[b]	0xXX
Enquiry	0x83			0xFF	0xFF	0xXX

Answer	Header	Answer	Check Sum	
Control	0x70	0x00	0x70	Completed
	0x70	0x01	0x71	Limit Over
	0x70	0x02	0x72	Limit Under
	0x70	0x03	0x73	Command Canceled

Answer	Header	Answer	Return to Data Size	Return Data1	Check Sum	
Enquiry	0x70	0x00	0x02	Code Table (1-a)[b]	0xXX	Completed

Code Table(1-a)

[a]Function	[b]Range/Switch Code	Command Control	Enquiry	Standby	Power On
0x00 Power*1	0x00 OFF	Yes	Yes	Enable	Enable
	0x01 ON				
0x01 Input Select*2	0x0A INPUT2 RGB	Yes	Yes	Disable	Enable
	0x0B INPUT2 COMPONENT				
	0x0C OPTION1 VIDEO				
	0x0D OPTION1 S VIDEO				
	0x0E OPTION1 RGB				
	0x0F OPTION1 COMPONENT				
	0x10 OPTION2 VIDEO				
	0x11 OPTION2 S VIDEO				
	0x12 OPTION2 RGB				
	0x13 OPTION2 COMPONENT				
	0x20 INPUT1 DVI				
0x02 Force Status Display	0x00 ON	Yes	Yes	Disable	Enable
	0x01 OFF				
0x03 Audio Mute	0x00 OFF	Yes	Yes	Disable	Enable
	0x01 ON				
0x04 Auto Status Display	0x00 ON	Yes	Yes	Enable	Enable
	0x01 OFF				
0x05 Closed Caption	0x00 OFF	Yes	Yes	Disable	Enable
	0x01 CC1				
	0x02 CC2				
	0x03 CC3				
	0x04 CC4				

Code Table(1-a)

[a]Function	[b]Range/Switch Code	Command Control	Enquiry	Standby	Power On
0x06 Color System	0x00 Auto	Yes	Yes	Disable	Enable
	0x01 NTSC				
	0x02 NTSC4.43				
	0x03 PAL				
	0x04 SECAM				
	0x05 PAL-M				
	0x06 PAL-N				
	0x07 PAL60				
0x0F Language	0x00 Japanese	Yes	Yes	Disable	Enable
	0x01 English				
	0x02 Deutsch				
	0x03 Français				
	0x04 Español				
	0x05 Italiano				
0x10 Index Number	0x01 - 0xFF	Yes	Yes	Disable	Enable
0x13 Power Saving	0x00 Standard	Yes	Yes	Disable	Enable
	0x01 Reduce				
0x14 Speaker Out	0x00 ON	Yes	Yes	Disable	Enable
	0x01 OFF				
0x16 HD Mode	0x00 1080i	Yes	Yes	Disable	Enable
	0x01 1035i				
0x17 RGB Mode	0x00 DTV	Yes	Yes	Disable	Enable
	0x01 PC				
0x18 Sync Mode	0x00 H/Comp	Yes	Yes	Disable	Enable
	0x01 Video				
0x1B Clock Display	0x00 OFF	Yes	Yes	Disable	Enable
	0x1B ON				
0x24 Input Detect(Optional1)	0x00 U3(HD15)	No	Yes	Disable	Enable
	0x01 U1(CVBS, Y/C)				
	0x02 U2(BNC)				
	0x03 Reserved				
	0x04 UN (Network Board)				
	0x05 Reserved				
	0x06 Reserved				
	0x07 Reserved				
	0x08 Reserved				
	0x09 Reserved				
	0x0A Reserved				
	0x0B Reserved				
	0x0C Reserved				
	0x0D Reserved				
	0x0E Reserved				

(Continued)

Code Table(1-a)

[a]Function	[b]Range/Switch Code	Command Control	Enquiry	Standby	Power On
0x24 Input Detect(Option1)	0x0F Not Connect	No	Yes	Disable	Enable
0x25 Input Detect(Option2)	0x00 U3(HD15)	No	Yes	Disable	Enable
	0x01 U1(CVBS, Y/C)				
	0x02 U2(BNC)				
	0x03 Reserved				
	0x04 UN (Network Board)				
	0x05 Reserved				
	0x06 Reserved				
	0x07 Reserved				
	0x08 Reserved				
	0x09 Reserved				
	0x0A Reserved				
	0x0B Reserved				
	0x0C Reserved				
	0x0D Reserved				
	0x0E Reserved				
0x0F Not Connect					
0x26 Auto Shut OFF	0x00 OFF	Yes	Yes	Disable	Enable
	0x01 ON				
0x30 PAP*2	0x00 OFF	Yes	Yes	Disable	Enable
	0x01 P&P				
	0x02 PinP				
0x31 Active Picture	0x00 Left(P&P)/Main(PinP)	Yes	Yes	Disable	Enable
	0x01 Right(P&P)/Sub(PinP)				
	0x02 Swap*2				
0x32 Picture Size(P&P)	0x00 - 0x0E	Yes	Yes	Disable	Enable
0x33 Sub Picture Size (PinP)	0x00 Large	Yes	Yes	Disable	Enable
	0x01 Small				
0x34 Picture Position(PinP)*3	0x00 Position1	Yes	Yes	Disable	Enable
	0x01 Position2				
	0x02 Position3				
	0x03 Position4				
0x35 PAP Input Detect (Left/Main)	0x0A INPUT2 RGB	No	Yes	Disable	Enable
	0x0B INPUT2 COMPONENT				
	0x0C OPTION1 VIDEO				
	0x0D OPTION1 S VIDEO				
	0x0E OPTION1 RGB				
	0x0F OPTION1 COMPONENT				
	0x10 OPTION2 VIDEO				
	0x11 OPTION2 S VIDEO				
	0x12 OPTION2 RGB				
	0x13 OPTION2 COMPONENT				

(Continued)

Code Table(1-a)

[a]Function	[b]Range/Switch Code	Command Control	Enquiry	Standby	Power On
0x35 PAP Input Detect (Left/Main)	0x20 INPUT1 DVI	No	Yes	Disable	Enable
0x36 PAP Input Detect (Right/Sub)	0x0A INPUT2 RGB	No	Yes	Disable	Enable
	0x0B INPUT2 COMPONENT				
	0x0C OPTION1 VIDEO				
	0x0D OPTION1 S VIDEO				
	0x0E OPTION1 RGB				
	0x0F OPTION1 COMPONENT				
	0x10 OPTION2 VIDEO				
	0x11 OPTION2 S VIDEO				
	0x12 OPTION2 RGB				
	0x13 OPTION2 COMPONENT				
	0x20 INPUT1 DVI				

*1: Transmit the next command 10 seconds after Power On and Power Off commands are transmitted. If not, correct data may not be able to be acquired.

*2: For INPUT SELECT, PAP, and Active Picture (SWAP), check the busy state using a Busy to INPUT command.

*3: The Picture Position arrangement is as shown below.

1	2
3	4

IP Address

Syntax	Header	Category	Function	Data1	Data2	Data3	Data4	Data5	Check Sum
Control	0x8C	0x00	0x42	0x05	Address 0	Address 1	Address 2	Address 3	0xXX
					0x00 - 0xFF	0x00 - 0xFF	0x00 - 0xFF	0x00 - 0xFF	

Answer	Header	Answer	Check Sum
Control	0x70	0x00	0x70
	0x70	0x03	0x73
			Completed
			Command Canceled

Example of IP Address setting

192.128.14.1 192 (0xC0) Address 0
 128 (0x80) Address 1
 14 (0x0E) Address 2
 1 (0x01) Address 3

* IP Address command can be carried out even in the standby state.

Code Table(1-a)

[a]Function	[b]Range/Switch code	Command Control	Enquiry	Standby	Power On
0x42 IP Address		Yes	Yes	Enable	Enable
0x43 BackLight	0x00 - 0x64	Yes	Yes	Disable	Enable
0x44 Illumination	0x00 OFF	Yes	Yes	Disable	Enable
	0x01 Low				
	0x02 High				
0x45 Control Mode	0x00 Main+Remocon	Yes	Yes	Disable	Enable
	0x01 Main				
	0x02 Remocon				

Code Table(1-a)

[a]Function	[b]Range/Switch code	Command Control	Enquiry	Standby	Power On
0x46 On Off Timer Mode	0x00 Every Day	Yes	Yes	Enable	Enable
	0x01 Day Of Week				
0x47 On Timer Enable	bit0 Sunday 1:Enable, 0:Disable	Yes	Yes	Enable	Enable
	bit1 Monday 1:Enable, 0:Disable				
	bit2 Tuesday 1:Enable, 0:Disable				
	bit3 Wednesday 1:Enable, 0:Disable				
	bit4 Thursday 1:Enable, 0:Disable				
	bit5 Friday 1:Enable, 0:Disable				
	bit6 Saturday 1:Enable, 0:Disable				
	bit7 Every day 1:Enable, 0:Disable*4				
0x48 Off Timer Enable	bit0 Sunday 1:Enable, 0:Disable	Yes	Yes	Enable	Enable
	bit1 Monday 1:Enable, 0:Disable				
	bit2 Tuesday 1:Enable, 0:Disable				
	bit3 Wednesday 1:Enable, 0:Disable				
	bit4 Thursday 1:Enable, 0:Disable				
	bit5 Friday 1:Enable, 0:Disable				
	bit6 Saturday 1:Enable, 0:Disable				
	bit7 Every day 1:Enable, 0:Disable*4				

*4: For every day, all bits should be put in the same state. (Enable:0xff, Disable:0x00)

(b) Color matrix

Syntax	Header	Category	Function	Data1	Data2	Data3	Data3	Check Sum
Control	0x8C	0x00	Code Table (1-b)[a]	0x04	Code Table (1-c)	Code Table (1-b)[b]	Code Table (1-d)	0xXX

Syntax	Header	Category	Function	Data1	Data2	Check Sum
Enquiry	0x83	0x00	Code Table(1-b)[a]	Code Table (1-c)	Code Table (1-d)	0xXX

Answer	Header	Answer	Check Sum
Control	0x70	0x00	0x70 Completed
	0x70	0x03	0x73 Command Canceled

Answer	Header	Answer	Return to Data Size	Return Data1	Return Data2	Return Data3	Check Sum
Enquiry	0x70	0x00	0x04	Code Table (1-c)	Code Table (1-b)[b]	Code Table(1-d)	0xXX Completed

Code Table(1-b)

[a]Function	[b]Range/Switch code	Command Control	Enquiry	Standby	Power On
0x1D Color Matrix	0x00 YCbCr	Yes	Yes	Disable	Enable
	0x01 YPbPr				

Code Table(1-c)

Format Select	
0x00	480p
0x01	1080i
0x02	720p
0x03	480i

Code Table(1-d)

Input Select	
0x00	Input2
0x01	Option1
0x02	Option2 (Invalid for FWD-32LX1)

(c) Time control

Clock Set (Hour, Minute)

Syntax	Header	Category	Function	Data1	Data2	Data3	Check Sum
Control	0x8C	0x00	0x22	0x03	Hour:0x00 - 0x17	Minute:0x00 - 0x3B	0xXX

Syntax	Header	Category	Function	Data1	Data2	Check Sum
Enquiry	0x83	0x00	0x22	0xFF	0xFF	0xA3

Answer	Header	Answer	Check Sum
Control	0x70	0x00	0x70
	0x70	0x01	0x71
	0x70	0x02	0x72
	0x70	0x03	0x73

Answer	Header	Answer	Return to Data Size	Return Data1	Return Data2	Check Sum
Enquiry	0x70	0x00	0x03	Hour:0x00 - 0x17*	Minute:0x00 - 0x3B	0xXX

* Data of Hour: 0x80 and Minute: 0x00 is set as Return Data when a timer is not set after factory setting.

Clock Set (Week)

Syntax	Header	Category	Function	Data1	Data2	Check Sum
Control	0x8C	0x00	0x23	0x02	Week:Code Table(1-e)	0xXX

Syntax	Header	Category	Function	Data1	Data2	Check Sum
Enquiry	0x83	0x00	0x23	0xFF	0xFF	0xA4

Answer	Header	Answer	Check Sum
Control	0x70	0x00	0x70 Completed
	0x70	0x01	0x71 Limit Over
	0x70	0x02	0x72 Limit Under
	0x70	0x03	0x73 Command Canceled

Answer	Header	Answer	Return to Data Size	Return Data1	Check Sum
Enquiry	0x70	0x00	0x02	Week:Code Table(1-e)	0xXX Completed

Code Table(1-e)

Week Select	
0x00	Sunday
0x01	Monday
0x02	Tuesday
0x03	Wednesday
0x04	Thursday
0x05	Friday
0x06	Saturday

On Timer, Off Timer

Syntax	Header	Category	Function	Data1	Data2	Data3	Check Sum
Control	0x8C	0x00	Code Table(1-f)[a]	0x03	Hour:0x00 - 0x17	Minute:0x00 - 0x3B	0xXX

Syntax	Header	Category	Function	Data1	Data2	Check Sum
Enquiry	0x83	0x00	Code Table(1-f)[a]	0xFF	0xFF	0xXX

Answer	Header	Answer	Check Sum
Control	0x70	0x00	0x70 Completed
	0x70	0x01	0x71 Limit Over
	0x70	0x02	0x72 Limit Under
	0x70	0x03	0x73 Command Canceled

Answer	Header	Answer	Return to Data Size	Return Data1	Return Data2	Check Sum
Enquiry	0x70	0x00	0x03	Hour:0x00 - 0x17	Minut:0x00 - 0x3B	0xXX Completed

Code Table(1-f)

[a]Function	[b]Range/Switch code	Command Control	Enquiry	Standby	Power On
Clock Set					
0x22	Hour, Minute	Yes	Yes	Disable	Enable
0x23	Week				
On Timer					
0x50	Sunday	Yes	Yes	Disable	Enable
0x51	Monday				
0x52	Tuesday				
0x53	Wednesday				
0x54	Thursday				
0x55	Friday				
0x56	Saturday				
0x57	Every day				
Off Timer					
0x58	Sunday	Yes	Yes	Disable	Enable
0x59	Monday				
0x5A	Tuesday				
0x5B	Wednesday				
0x5C	Thursday				
0x5D	Friday				
0x5E	Saturday				
0x5F	Every day				

5. Picture/Sound

(a) Picture/Sound

Syntax	Header	Category	Function	Data1	Data2	Check Sum
Control	0x8C	0x10	Code Table(2-a)[a]	0x02	Code Table(2-a)[b]	0xXX
Enquiry	0x83		0xFF	0xFF	0xFF	0xXX

Answer	Header	Answer	Check Sum	
Control	0x70	0x00	0x70	Completed
	0x70	0x01	0x71	Limit Over
	0x70	0x02	0x72	Limit Under
	0x70	0x03	0x73	Command Canceled

Answer	Header	Answer	Return to Data Size	Return Data1	Check Sum	
Enquiry	0x70	0x00	0x02	Code Table(2-a)[b]	0xXX	Completed

Code Table(2-a)

[a]Function		[b]Range/Switch code		Command Control	Enquiry	Standby	Power On
0x00	Contrast	0x00 - 0x64*		Yes	Yes	Disable	Enable
0x01	Brightness	0x00 - 0x64*		Yes	Yes	Disable	Enable
0x02	Chroma	0x00 - 0x64		Yes	Yes	Disable	Enable
0x03	Phase	0x00 - 0x64		Yes	Yes	Disable	Enable
0x04	Color Temp	0x00	High	Yes	Yes	Disable	Enable
		0x01	Mid				
		0x02	Low				
		0x03	Color1				
		0x04	Color2				
		0x05	Color3				
0x09	Sharpness	0x00 - 0xFF		Yes	Yes	Disable	Enable
0x0A	NR	0x00	OFF	Yes	Yes	Disable	Enable
		0x01	Low				
		0x02	Mid				
		0x03	High				
0x0B	Cinema Drive	0x00	Auto	Yes	Yes	Disable	Enable
		0x01	OFF				
0x0C	Dynamic Picture	0x00	OFF	Yes	Yes	Disable	Enable
		0x01	Low				
		0x02	High				
0x0D	Color Correct	0x00	ON	Yes	Yes	Disable	Enable
		0x01	OFF				
0x0E	Gamma Correct	0x00	High	Yes	Yes	Disable	Enable
		0x01	Mid				
		0x02	Low				
0x10	Picture Mode	0x00	Standard	Yes	Yes	Disable	Enable
		0x01	Dynamic				
		0x02	User1				
		0x03	User2				
		0x04	User3				
0x30	Volume	0x00 - 0x64		Yes	Yes	Enable	Enable
0x31	Treble	0x00 - 0x64		Yes	Yes	Disable	Enable
0x32	Bass	0x00 - 0x64		Yes	Yes	Disable	Enable
0x33	Balance	0x00 - 0x64		Yes	Yes	Disable	Enable
0x34	Surround	0x00	OFF	Yes	Yes	Disable	Enable
		0x01	Hall				
		0x02	Simulate				

*: The setting value during two-screen display is as follows:

Contrast: Setting value ± 12 during one-screen display

Brightness: Setting value ± 24 during one-screen display

(b) Color temperature

Syntax	Header	Category	Function	Data1	Data2	Data3	Check Sum
Control	0x8C	0x10	Code Table(2-b)[a]	0x03	Code Table(2-c)	Code Table(2-b)[b]	0xXX

Syntax	Header	Category	Function	Data1	Data2	Check Sum
Enquiry	0x83	0x10	Code Table(2-b)[a]	Code Table(2-c)	0xFF	0xXX

Answer	Header	Answer	Check Sum
Control	0x70	0x00	0x70 Completed
	0x70	0x03	0x73 Command Canceled

Answer	Header	Answer	Return to Data Size	Return Data1	Return Data2	Check Sum
Enquiry	0x70	0x00	0x03	Code Table(2-c)	Code Table(2-b)[b]	0xXX Completed

Code Table(2-b)

[a]Function	[b]Range/Switch code	Command Control	Enquiry	Standby	Power On
0x05 Red Gain	0x00 - 0x64	Yes	Yes	Disable	Enable
0x06 Green Gain	0x00 - 0x64				
0x07 Blue Gain	0x00 - 0x64				

Code Table(2-c)

Format Select
0x03 Color1
0x04 Color2
0x05 Color3

6. Size/Shift

(a) 8 bit register

Syntax	Header	Category	Function	Data1	Data2	Check Sum
Control	0x8C	0x20	Code Table(3-b)[a]	0x02	Code Table(3-b)[b]	0xXX
Enquiry	0x83			0xFF	0xFF	0xXX

Answer	Header	Answer	Check Sum
Control	0x70	0x00	0x70 Completed
	0x70	0x01	0x71 Limit Over
	0x70	0x02	0x72 Limit Under
	0x70	0x03	0x73 Command Canceled

Answer	Header	Answer	Return to Data Size	Return Data1	Check Sum
Enquiry	0x70	0x00	0x02	Code Table(3-b)[b]	0xXX Completed

Code Table(3-b)

[a]Function	[b]Range/Switch code	Command Control	Enquiry	Standby	Power On	
0x00	H Size	0x00 - 0x64	Yes	Yes	Disable Enable	
0x01	H Center	0x00 - 0x64	Yes	Yes	Disable Enable	
0x02	V Size	0x00 - 0x64	Yes	Yes	Disable Enable	
0x03	V Center	0x00 - 0x64	Yes	Yes	Disable Enable	
0x04	Zoom Mode	0x00	Wide Zoom	Yes	Yes	Disable Enable
		0x01	Zoom			
		0x02	Full			
		0x03	Sub Title			
		0x04	Normal			
0x05	Multi Display	0x00	Standard	Yes	Yes	Disable Enable
		0x01	x2			
		0x02	x3			
		0x03	x4			
0x07	Dot Phase	0x00 - 0x1F	Yes	Yes	Disable Enable	
0x08	Auto Wide	0x00	OFF	Yes	Yes	Disable Enable
		0x01	Auto			
0x09	4:3 Mode	0x00	Normal	Yes	Yes	Disable Enable
		0x01	Wide Zoom			
0x0B	Multi Position(x2)*	0x00	Position1	Yes	Yes	Disable Enable
		0x01	Position2			
		0x02	Position3			
		0x03	Position4			
0x0C	Multi Position(x3)*	0x00	Position1	Yes	Yes	Disable Enable
		0x01	Position2			
		0x02	Position3			
		0x03	Position4			
		0x04	Position5			
		0x05	Position6			
		0x06	Position7			
		0x07	Position8			
		0x08	Position9			
0x0D	Multi Position(x4)*	0x00	Position1	Yes	Yes	Disable Enable
		0x01	Position2			
		0x02	Position3			
		0x03	Position4			
		0x04	Position5			
		0x05	Position6			
		0x06	Position7			

Code Table(3-b)

[a]Function	[b]Range/Switch code	Command Control	Enquiry	Standby	Power On
0x0D Multi Position(x4)*	0x07	Position8	Yes	Disable	Enable
	0x08	Position9			
	0x09	Position10			
	0x0A	Position11			
	0x0B	Position12			
	0x0C	Position13			
	0x0D	Position14			
	0x0E	Position15			
	0x0F	Position16			

∗: The Multi Position arrangement is as shown below.

Multi Position(x2)

1	2
3	4

Multi Position(x3)

1	2	3
4	5	6
7	8	9

Multi Position(x4)

1	2	3	4
5	6	7	8
9	10	11	12
13	14	15	16

7. Status Enquiry

(a) Model name enquiry

Syntax	Header	Category	Function	Data1	Data2	Check Sum
Enquiry	0x83	0x30	0x00	0xFF	0xFF	0xB1

Answer	Header	Answer	Return to Data Size	Return Data1	Check Sum
Enquiry	0x70	0x00	0x02	Code Table(4-a)	0XX Completed

Code Table(4-a)

Format Select
0x08 FWD-42LX1
0x09 FWD-32LX1

(b) Serial number enquiry

Syntax	Header	Category	Function	Data1	Data2	Check Sum
Enquiry	0x83	0x30	0x01	0xFF	0xFF	0xB2

Answer	Header	Answer	Return to Data Size	Return Data1	Return Data2	Return Data3	Return Data4	Check Sum
Enquiry	0x70	0x00	0x05	Upper 8bit Data	Middle Upper Data	Middle Lower Data	Lower 8bit Data	0XX Completed

Return Data1-Data4: 0x001E8480 - 0x002DC6BF(2,000,000 - 2,999,999)

(c) Operating time enquiry

Syntax	Header	Category	Function	Data1	Data2	Check Sum
Enquiry	0x83	0x30	0x02	0xFF	0xFF	0xB3

Answer	Header	Answer	Return to Data Size	Return Data1	Return Data2	Return Data3	Return Data4	Check Sum	
Enquiry	0x70	0x00	0x05	Upper 8bit Data	Middle Upper Data	Middle Lower Data	Lower 8bit Data	0xFF	Completed

Return Data1-Data4: 0x00000000 - 0xD693A3FF(0sec.-3,599,999,999sec.)

(d) Software version enquiry (Main CPU)

Syntax	Header	Category	Function	Data1	Data2	Check Sum
Enquiry	0x83	0x30	0x03	0xFF	0xFF	0xB4

Answer	Header	Answer	Return to Data Size	Return Data1	Return Data2	Check Sum	
Enquiry	0x70	0x00	0x03	Upper 8bit Data	Lower 8bit Data	0xFF	Completed

Return Data1-Data2: 0x0000 - 0xFFFF

Example)

For version 0.100, they become 01 and 00, respectively.

(e) 8 bit register enquiry

Syntax	Header	Category	Function	Data1	Data2	Check Sum
Enquiry	0x83	0x30	Code Table(4-b)	0xFF	0xFF	0xFF

Answer	Header	Answer	Return to Data Size	Return Data1	Check Sum	
Enquiry	0x70	0x00	0x02	Code Table(4-b)	0xFF	Completed

Code Table(4-b)

Function	Return Data	Unit
0x07	Digital 3.3 V	0x00 - 0xFF
0x09	Digital 5 V	0x00 - 0xFF
0x0A	Temp1	0x00 - 0xFF
0x0D	Temp(P/S)	0x00 - 0xFF
0x10	Analog5 V/9 V	0x00 - 0xFF 5 V power output

(f) Software version enquiry (Scaler)

Syntax	Header	Category	Function	Data1	Data2	Check Sum
Enquiry	0x83	0x30	0x0F	0xFF	0xFF	0xC0

Answer	Header	Answer	Return to Data Size	Return Data1	Return Data2	Check Sum	
Enquiry	0x70	0x00	0x03	Upper 8bit Data	Lower 8bit Data	0xFF	Completed

Return Data1 - Data2: 0x0000 - 0xFFFF

Example)

For version 0.100, they become 01 and 00, respectively.

8. User Rest

Syntax	Header	Category	Function	Data1	Data2	Check Sum
Control	0x8C	0x50	Code Table(5)	0x02	0xFF	0XX

Answer	Header	Answer	Check Sum
Control	0x70	0x00	0x70 Completed
	0x70	0x03	0x73 Command Canceled

Code Table(5)

Function	Range/Switch code	Command Control	Enquiry	Standby	Power On
0x00	Picture Reset	Yes	No	Disable	Enable
0x01	Audio Reset				
0x03	Picture Reset2	Contrast, Brightness, Chroma, Phase			

このマニュアルに記載されている事柄の著作権は当社にあります。

従って、当社の許可なしに無断で複写したり、説明内容(操作、保守等)と異なる目的で本マニュアルを使用することを禁止します。

The material contained in this manual consists of information that is the property of Sony Corporation.

Sony Corporation expressly prohibits the duplication of any portion of this manual or the use thereof for any purpose other than the operation or maintenance of the equipment described in this manual without the express written permission of Sony Corporation.

Le matériel contenu dans ce manuel consiste en informations qui sont la propriété de Sony Corporation.

Sony Corporation interdit formellement la copie de quelque partie que ce soit de ce manuel ou son emploi pour tout autre but que des opérations ou entretiens de l'équipement à moins d'une permission écrite de Sony Corporation.

Das in dieser Anleitung enthaltene Material besteht aus Informationen, die Eigentum der Sony Corporation sind.

Die Sony Corporation untersagt ausdrücklich die Vervielfältigung jeglicher Teile dieser Anleitung oder den Gebrauch derselben für irgendeinen anderen Zweck als die Bedienung oder Wartung der in dieser Anleitung beschriebenen Ausrüstung ohne ausdrückliche schriftliche Erlaubnis der Sony Corporation.

FWD-42LX1 (SY)
FWD-32LX1 (SY) E
9-968-108-01

Sony Corporation
B&P Company

Printed in Japan
2005. 1 22
©2005