

Thule System Kit 109

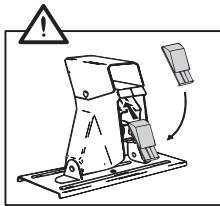
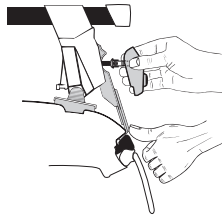
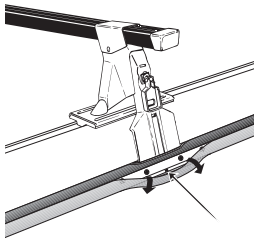
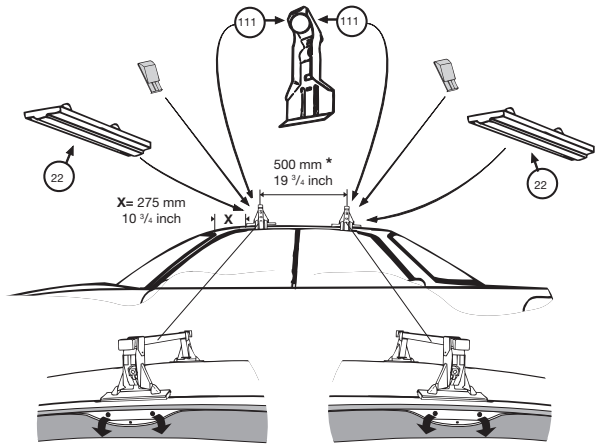
Acura Integra, 4-dr, 90-93
Honda Integra, 4-dr, 90-93



Open door and gently pull down the rubber weather stripping. Locate the protruding indicator marking found on the metal strip.

Bracket mounts into the seam behind the black molding that runs along the edge of the roof. Lining the bracket up with the indicator markings, firmly press the bracket down into the seam until it is seated all the way down into the channel. Repeat this procedure to locate the other three mounting points.

IMPORTANT: REMEMBER TO FASTEN THE WEATHER STRIP BACK IN PLACE AFTER FITTING THE LOAD CARRIER! *As the distance between the load bars is short, ski boxes and surfboards should not be fitted.



Screw the load carrier into position alternating between the feet, and maintaining constant pressure on the bracket.



Front

Rear

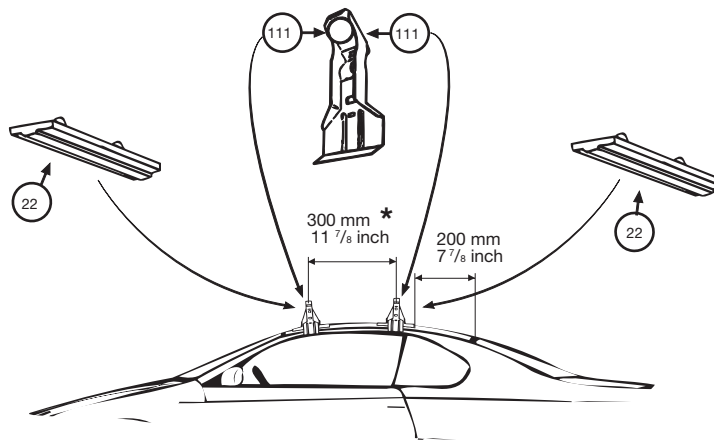
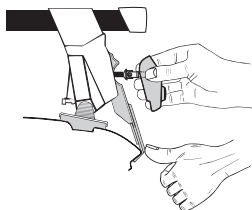
856 mm / 33 5/8 inch

846 mm / 33 1/4 inch

Honda Prelude 92-



910 mm / 35 7/8 inch



Screw the load carrier into position alternating between the feet, and maintaining constant pressure on the bracket.



300 mm *
11 7/8 inch

IMPORTANT! As the distance between the load bars is short, ski boxes and surfboards should not be fitted.