

 **STANDARD HORIZON**

HX500S

VHF/FM Marine Handheld Transceiver

Owner's Manual

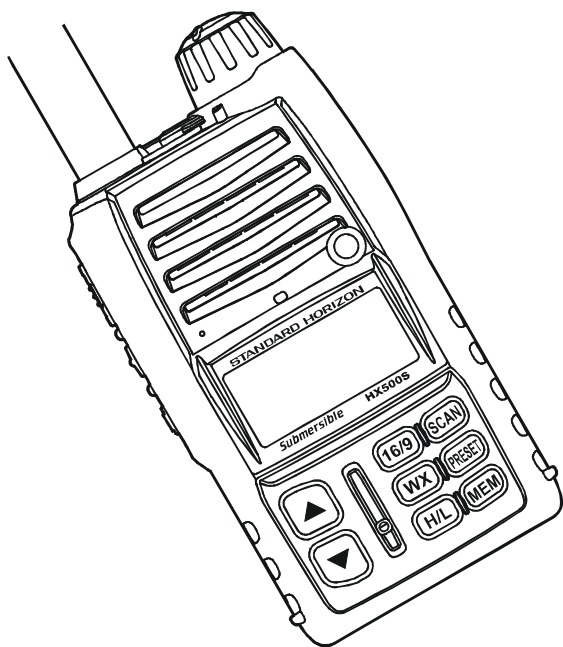
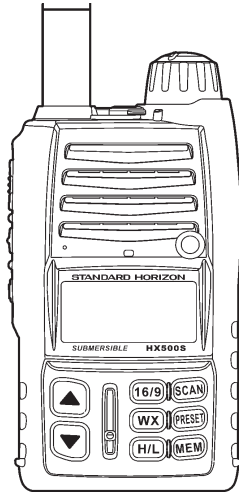


TABLE OF CONTENTS

RF EXPOSURE SAFETY STATEMENT	2
FCC AND CANADA RADIO LICENSE INFORMATION	3
FCC NOTICE	4
1. GENERAL INFORMATION	5
1.1 INTRODUCTION	5
2. ACCESSORIES	6
2.1 PACKING LIST	6
2.2 OPTIONS	6
3. ABOUT THIS RADIO	7
3.1 ABOUT THE VHF MARINE BAND	7
4. GETTING STARTED	8
4.1 BATTERIES AND CHARGERS	8
5. CONTROLS AND SWITCHES	12
6. BASIC OPERATION	15
6.1 INITIAL SETUP	15
6.2 RECEPTION	15
6.3 TRANSMISSION	16
6.4 NOAA WEATHER CHANNELS	17
6.5 PRESET CHANNELS (0 ~ 9)	18
6.6 ENABLING S.O.S STROBE OPERATION	18
7. ADVANCED OPERATION ON THE MARINE BAND	19
7.1 USA, CANADA, AND INTERNATIONAL CHANNELS	19
7.2 MEMORY SCAN	19
7.3 PROGRAMMABLE PRIORITY SCAN	20
7.4 DUAL WATCH	21
7.5 TRI WATCH	21
7.6 EMERGENCY CHANNEL 16	21
7.7 CHANNEL 9	22
7.8 OPERATING ON USA or CANADIAN 13, OR USA CHANNEL 67	22
7.9 OPERATING ON USA CHANNEL 67	22
7.10 SIMPLEX/DUPLEX CHANNEL USE	22
8. OPERATING PRACTICE	23
8.1 EMERGENCY (CHANNEL 16 USE)	23
8.2 CALLING ANOTHER VESSEL (CHANNEL 16 OR 9)	23
8.3 OPERATING ON CHANNEL 13 AND 67	24
8.4 NOAA WEATHER ALERT TESTING	25
9. MENU ("SET") MODE	26
10. INSTALLATION OF OPTIONS	28
10.1 FBA-25A ALAKLINE BATTERY TRAY	28
11. MAINTENANCE	29
11.1 GENERAL	29
11.2 REPLACEMENT PARTS	29
11.3 TROUBLESHOOTING CHART	30
12. VHF MARINE CHANNEL ASSIGNMENT	31
13. WARRANTY	37
14. SPECIFICATIONS	40





Congratulations on your purchase of the **HX500S**! Whether this is your first portable marine VHF transceiver, or if you have other STANDARD HORIZON equipment, the STANDARD HORIZON organization is committed to ensuring your enjoyment of this high performance transceiver, which should provide you with many years of satisfying communications even in the harshest of environments. STANDARD HORIZON technical support personnel stands behind every product sold, and we invite you to contact us should you require technical advice or assistance.

We appreciate your purchase of the **HX500S**, and encourage you to read this manual thoroughly, so as to learn and fully understand the capabilities of the **HX500S**.

WARNING

This radio is capable of transmitting on VHF Marine.

The FCC allows the use of VHF Marine band on water areas only. However the FCC does not allow the use of the VHF Marine band when on land. If persons use the VHF Marine Band on land and interfere with others communicating, the FCC will be notified and search for the interference. Responsible parties found to be transmitting on the VHF Marine Band on land could be fined up to \$10,000 for the first offense.

RF EXPOSURE SAFETY STATEMENT

SAFETY INFORMATION

Your wireless handheld portable transceiver contains a low power transmitter. When the Push-to-Talk (PTT) button is pushed, the transceiver sends out radio frequency (RF) signals. In August 1996, the Federal Communications Commission adopted RF exposure guidelines with safety levels for hand-held wireless devices.

This device is authorized to operate at a duty factor not to exceed 50% (this corresponds to 50% transmission time and 50% reception time).

WARNING: To maintain compliance with the FCC's RF exposure guidelines, this transmitter and its antenna must maintain a separation distance of at least 1 inch (2.5 centimeters) from your face. Speak in a normal voice, with the antenna pointed up and away from the face at the required separation distance.

If you use a headset accessory for this radio, with the radio worn on your body, use only the Vertex Standard belt clip for this transceiver, and ensure that the antenna is at least 1 inch (2.5 centimeters) from your body when transmitting.

Use only the supplied antenna. Unauthorized antennas, modifications, or attachments could damage the transmitter, and may violate FCC regulations.

FCC AND CANADA RADIO LICENSE INFORMATION

Standard Horizon radios comply with the Federal Communication Commission (FCC) and Industry-Canada requirements that regulate the Maritime Radio Service.

MARITIME STATION LICENSE

An FCC ship station license is no longer required for any vessel traveling in U.S. waters which uses a VHF marine radio, RADAR or EPIRB, and which is not required to carry radio equipment. However, any vessel required carrying a marine radio on an international voyage, carrying a HF single side band radiotelephone or marine satellite terminal. FCC license forms, including applications for ship (506) and land station licenses can be downloaded via the Internet at www.fcc.gov/forms. To obtain a form from the FCC, call (888) 225-5322.

MARINE RADIO CALL SIGN

Currently the FCC does not require recreational boaters to have a Ship Radio Station License. The USCG recommends the boats registration number and the state to be used.

CANADIAN SHIP STATION LICENSING

You may need a license when traveling in Canada. If you do need a license contact their nearest field office or regional office or write:

**Industry Canada
Radio Regulatory Branch
Attn: DOSP
300 Slater Street
Ottawa, Ontario
Canada, KIA 0C8**

FCC/INDUSTRY CANADA INFORMATION

The following data pertaining to the transceiver is necessary to fill out the license application.

FCC Type Accepted: Part 80
Output Power with FNB-V98LI: 1 W (Low), 2.5 W (Mid), and 5 W (High)
Emission: 16K0G3E
Frequency Range: 156.025 to 163.275MHz
FCC Type Number: K6630183X20
Industry Canada Type Approval: 511B-30183X20

FCC NOTICE

Unauthorized changes or modifications to this equipment may void compliance with FCC Rules. Any change or modification must be approved in writing by STANDARD HORIZON, a Marine Division of VERTEX STANDARD.

NOTICE

This equipment has been tested and found to comply with the limits for a Class B digital device, pursuant to Part 15 of the FCC Rules. These limits are designed to provide reasonable protection against harmful interference in a residential installation. This equipment generates uses and can radiate radio frequency energy and, if not installed and used in accordance with the instructions, may cause harmful interference to radio communications. However, there is no guarantee that interference will not occur in a particular installation. If this equipment does cause harmful interference to radio or television reception, which can be determined by turning the equipment off and on, the user is encouraged to try to correct the interference by one or more of the following measures:

Increase the separation between the equipment and receiver.

Connect the equipment into an outlet on a circuit different from that to which the receiver is connected.

Consult the dealer or an experienced marine electronics technician for help.

PROHIBITED COMMUNICATIONS

The FCC prohibits the following communications:

- False distress or emergency messages;
- Messages to “any boat” except in emergencies and radio tests;
- Messages to or from a vessel on land;
- Transmission while on land;
- Obscene, indecent, or profane language (potential fine of \$10,000).

1. GENERAL INFORMATION

1.1 INTRODUCTION

The **HX500S** is a SUBMERSIBLE 5-Watt portable two-way marine transceiver with a high capacity Lithium-Ion battery. The transceiver has all allocated USA, International, or Canadian channels. It has emergency channel 16 which can be immediately selected from any channel by pressing the [16/9] key. NOAA Weather channels can also be accessed immediately by pressing the [WX] key.

The **HX500S** includes the following features: Memory Scanning, Priority Scanning, NOAA Weather Alert, Battery Saver, easy-to-read large LCD display, EEPROM memory back-up, Battery Life displayed on LCD, Transmit Time-Out Timer (TOT) and a strobe light when enabled blinks the internationally recognized SOS distress signal.

The transmitter provides a maximum of 5 Watts output, and has the selection of 2.5 Watts and 1 Watt to assist the user in ensuring maximum battery life.

2. ACCESSORIES

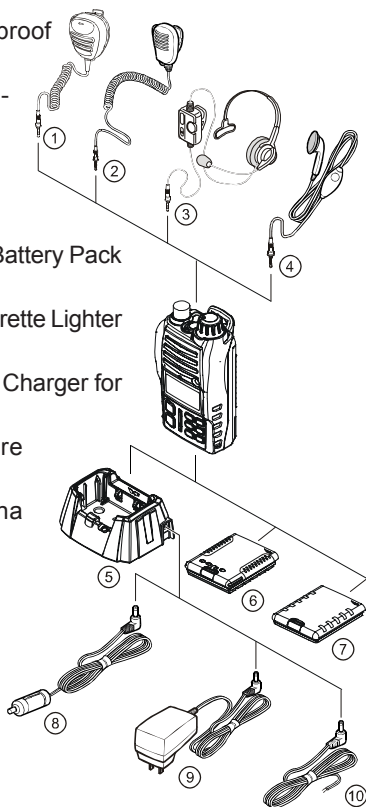
2.1 PACKING LIST

When the package containing the transceiver is first opened, please check it for the following contents:

- **HX500S** Transceiver
- **CAT460** Antenna
- **FNB-V98LI** 7.4 V, 1700 mAh Li-Ion Battery Pack
- **CD-35** Charger Cradle for **HX500S**
- **NC-90B** 120 VAC Overnight Charger for **CD-35**
- **E-DC-19A** DC Cable with 12 V Cigarette Lighter Plug for **CD-35**
- Owner's Manual

2.2 OPTIONS

- ① **CMP460** Noise-canceling Waterproof Speaker/Microphone
 - ② **MH-57A4B** Mini Speaker/Microphone
 - ③ **VC-24** VOX Headset
 - ④ **VC-27** Earpiece/Microphone
 - ⑤ **CD-35** Charger Cradle
 - ⑥ **FNB-V98LI** 7.4 V, 1700 mAh Li-Ion Battery Pack
 - ⑦ **FBA-25A** Alkaline Battery Case
 - ⑧ **E-DC-19A** DC Cable with 12 V Cigarette Lighter Plug
 - ⑨ **NC-90B/C/U** 120/230 VAC Overnight Charger for the **FNB-V98LI**
 - ⑩ **E-DC-6** DC Cable; plug and wire only
- CAW230** Radio-to-Ship's-Antenna Adapter



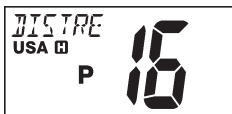
Note: Before operating the **HX500S** for the first time, it is recommended that the battery be charged. Please see section **“4.1.4 USING THE CD-35 CHARGER CRADLE”** for details.

3. ABOUT THIS RADIO

3.1 ABOUT THE VHF MARINE BAND

WARNING:

The radio frequencies used in the VHF marine band lie between 156 and 158 MHz with NOAA Weather stations available between 161 and 163 MHz. The marine VHF band provides communications over distances that are essentially “line of sight” Actual transmission range depends much more on antenna type, gain and height than on the power output of the transmitter. A portable 5 W radio transmission expected distance can be 2 to 5 miles.



The user of a Marine VHF radio is subject to severe fines if the radio is used on land. The reasoning for this is you may be near an inland waterway, or propagation anomalies may cause your transmission to be heard in a waterway. If this occurs, depending upon the marine VHF channel on which you are transmitting, you could interfere with a search and rescue case, or contribute to a collision between passing ships. *For VHF Marine channel assignments refer to page 31 section 12.*

4. GETTING STARTED

Lithium ion (Li-ion) batteries pack high energy density in a tiny package. Other than higher power and lower weight, li-ion batteries are user friendly as well. Unlike its predecessor, the nickel-cadmium, lithium-ion batteries do not suffer from the “memory effect.” That is, the battery does not have to be fully discharged before being recharged.

Though the batteries do not suffer from the memory effect, it is just the opposite that users should be wary of. Lithium ion batteries shouldn't be run all the way down before charging; they respond much better with constant recharges.

To prolong the battery when not in use, store it in a cool dry place at approximately 40 percent capacity. Also, avoid exposing a lithium ion battery to extreme temperatures for prolonged periods of time, and recharge constantly when in use..

4.1 BATTERIES AND CHARGERS

The **FNB-98LI** is a high performance Lithium-Ion battery providing high capacity in a compact package.

CAUTION

To avoid risk of explosion and injury, **FNB-V98LI** battery pack should only be removed, charged or recharged in non-hazardous environments.

4.1.1 BATTERY SAFETY

Battery packs for your transceiver contain Lithium-Ion batteries. This type of battery stores a charge powerful enough to be dangerous if misused or abused, especially when removed from the transceiver. Please observe the following precautions:

DO NOT SHORT BATTERY PACK TERMINALS: Shorting the terminals that power the transceiver can cause sparks, severe overheating, burns, and battery cell damage. If the short is of sufficient duration, it is possible to melt battery components. Do not place a loose battery pack on or near metal surfaces or objects such as paper clips, keys, tools, etc. When the battery pack is installed on the transceiver, the terminals that transfer current to the transceiver are not exposed. The terminals that are exposed on the battery pack when it is mounted on the transceiver are charging terminals only and do not constitute a hazard.

DO NOT INCINERATE: Do not dispose of any battery in a fire or incinerator. The heat of fire may cause battery cells to explode and/or release dangerous gases.

Battery Maintenance

For safe and proper battery use, please observe the following:

- Battery packs should be charged only in non-hazardous environments;
- Use only STANDARD HORIZON-approved batteries;
- Use only a STANDARD HORIZON, (a Marine Division of VERTEX STANDARD) approved charger. The use of any other charger may cause permanent damage to the battery.
- Follow charging instructions provided with the chargers.
- Keep the battery contacts clean.

Battery Storage

Store batteries in a cool place to maximize storage life. Since batteries are subject to self-discharge, avoid high storage temperatures that cause large self-discharge rates. After extended storage, a full recharge is recommended.

When a battery pack is not used for a long time, please remove it from the transceiver. Also, while in storage, the charge will drain slightly over time and the battery should be recharged 50% every six months.

Battery Recycling

**DO NOT PLACE USED BATTERIES IN YOUR REGULAR TRASH!
LITHIUM-ION BATTERIES MUST BE COLLECTED, RECYCLED OR DISPOSED OF IN AN ENVIRONMENTALLY SOUND MANNER.**

The incineration, land filling or mixing of Lithium-Ion batteries with the municipal solid waste stream is PROHIBITED BY LAW in most areas.

Return batteries to an approved Lithium-Ion battery recycler. This may be where you purchased the battery.

Contact your local waste management officials for other information regarding the environmentally sound collection, recycling and disposal of Lithium-Ion batteries.

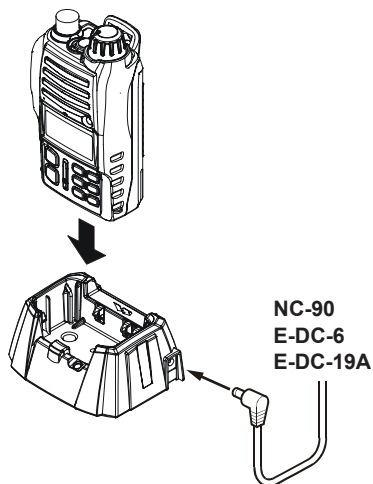
4.1.2 BATTERY CHARGING

If the radio has never been used, or its charge is depleted, it may be charged by connecting the **CD-35** Charger Cradle with the **NC-90** battery charger, as shown in the illustration.

When the battery pack is inserted correctly, the LED indicator on the **CD-35** Charger Cradle will glow red. When charging is completed, the LED indicator will change to green.

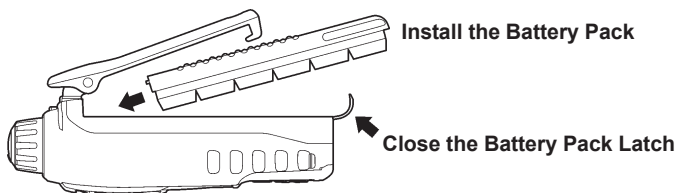
Note: The radio may be kept in the charging cradle when the radio is turned off. It is not recommended to use turn the radio while it is in the charger.

If 12V DC power is available, the supplied **E-DC-19A** DC Cable with 12 V Cigarette Lighter Plug or the optional **E-DC-6** DC Cable may be used for charging the battery. The **NC-90**, **E-DC-19A** and **E-DC-6** will charge a completely discharged **FNB-V98LI** battery pack in about 8 hours.



4.1.3 BATTERY INSTALLATION/REMOVAL

1. Turn the transceiver off.
2. To install, insert the battery pack into the battery compartment on the back of the transceiver, then close the Battery Pack Latch until it locks in place with a “click.”



3. To remove, open the Battery Pack Latch on the bottom of the transceiver, then slide the battery downward and out from the transceiver.

4.1.4 USING THE CD-35 CHARGER CRADLE

1. Turn the transceiver off.
2. Insert the DC plug from the **NC-90** into the DC jack on the **CD-35** side panel, then plug the **NC-90** into the AC line outlet.
3. Insert the **HX500S** (with the battery pack) into the **CD-35**; the antenna should be at the left side when viewing the charger from the front.
4. If the **HX500S** is inserted correctly, the Red indicator on the **CD-35** will glow. A fully-discharged pack will be charged completely in approximately 8 hours.

Important Note:

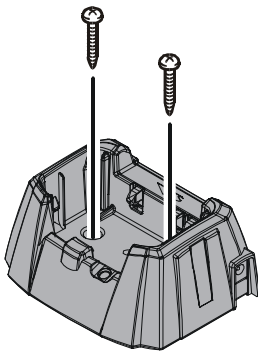
Do not leave the charger connected to the transceiver for continuous periods in excess of 24 hours. Long term overcharging can degrade the Lithium-Ion battery pack and significantly shorten its useful life.

5. When charging is completed, disconnect the pack from the **CD-35**, and unplug the **NC-90** from the AC line outlet.

4.1.5 MOUNTING THE CD-35 ON THE VESSEL

The **CD-35** is designed to be surface on a vessel which can be connected to the charger.

If mounting on a vessel, the **CD-35** must be mounted in a location on the vessel that is directly shielded from rain or splashes of water. After the location is found, mount the **CD-35** using the supplied mounting screws.

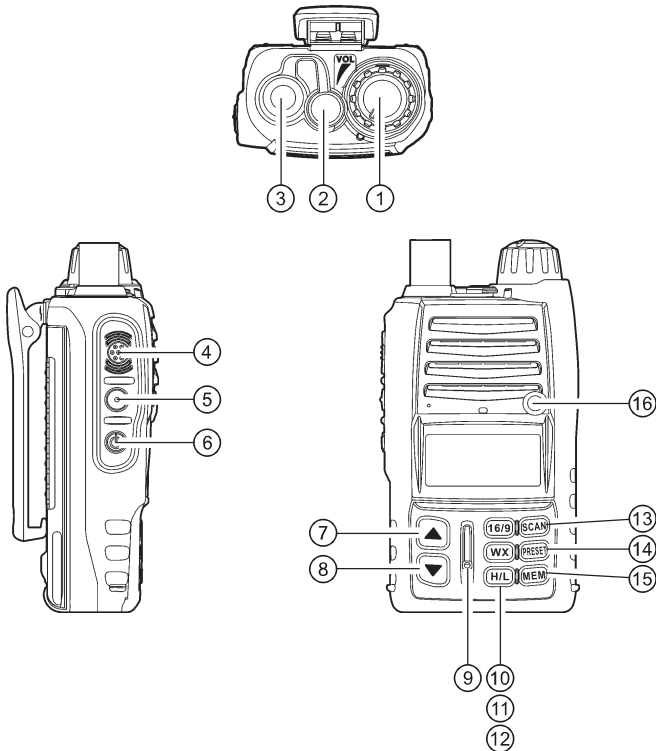


CD-35 Desktop Mount

5. CONTROLS AND SWITCHES

NOTE

This section defines each control of the transceiver. For detailed operating instructions, refer to section 6 “**BASIC OPERATION.**” Refer to illustrations for the location of the following controls, switches, and connections.



① VOLUME CONTROL

Turn this control clockwise to increase the volume.

② MIC/SP JACK

The jack accepts the optional **CMP460** Speaker/Microphone, **MH-57A4B** Mini Speaker/Microphone, **VC-24** VOX Headset or **VC-27** Earpiece/Microphone. When this jack is used, the internal speaker is disabled.

③ **ANTENNA CONNECTOR**

The supplied CAT460 flexible antenna is attached here.

④ **PUSH-TO-TALK (PTT) SWITCH**

When pushed activates the transmitter.

⑤ **SQUELCH (SQL) SWITCH**

Sets the point at which random noise on the channel will not activate the audio circuits but a received signal does. This point is called the Squelch threshold. Further adjustment of the squelch control will degrade the reception of wanted transmissions. To quickly open the squelch and monitor a channel before transmitting, press and hold this key for 3 seconds.

⑥ **POWER SWITCH**

Press and hold in this switch for 2 seconds to toggle the transceiver's power "on" and "off."

⑦ **[▲(UP)] KEY**

Press to select a desired channel. Each press increases the channel number. When held down, the channels increase continuously.

⑧ **[▼(DOWN)] KEY**

Press to select a desired channel. Each press decreases the channel number. When held down, the channels decrease continuously.

⑨ **MICROPHONE**

The internal microphone is located here.

⑩ **[16/9] KEY**

Immediately recalls channel 16 from any marine channel or band location. Holding down this key recalls channel 9.

⑪ **[WX] KEY**

Immediately recalls the last-used NOAA Weather Channel from any channel location. Recalls the previously- selected working channel when the [WX] key is pressed again.

Secondary use:

When the [16/9] key is held *and* the [WX] key is pressed, the radio will change the marine channel between the USA, International, and Canadian channels.

⑫ [H/L] KEY

On the Marine Band, changes the transmitter output power between High (5 Watts), Medium (2.5 Watts), and Low (1 Watt). Does not operate on “Low power only” and transmission-inhibit channels.

When operating on Canadian channel 13, or USA channels 13 or 67, pressing this key momentarily toggles the power level from Low power to medium or High power.

Secondary use:

Hold down this key to lock the keypad (except the **PTT**, **SQL**, and [H/L] keys) so that they are not accidentally changed. The key lock symbol “**On**” will appear on the LCD, to indicate that the functions are locked. Hold down until the key lock symbol “**On**” disappears to unlock the radio.

⑬ [SCAN] KEY

Starts scanning and priority scanning of programmed channels. When scanning, press and hold this key to turn on and off priority scan (“**P**” is shown on the display during Priority scanning).

⑭ [PRESET] KEY

Immediately recalls one of up to 10 user preset memories for each band (shown as 0-9 on the LCD). Pressing this key repeatedly scrolls through the preset memory channels.

⑮ [MEM] KEY

Press this key to memorize the selected channel for scanning. When pressed a “**MEM**” icon will be shown on the LCD display indicating the channel has been saved to scan memory. The scan memory is only used with the Marine and WX channels.

To delete the channel from scan memory, select the channel and press this key until “**MEM**” is removed from the display.

⑯ BUSY/TX INDICATOR

This indicator glows **green** when a signal is being received and **red** when transmitting.

When the Emergency feature is activated, this indicator blinks the internationally-recognized Morse Code “S.O.S.” message.

6. BASIC OPERATION

6.1 INITIAL SETUP

1. Install the battery pack on the transceiver (see section “4.1.3 BATTERY INSTALLATION/REMOVAL”).
2. Install the antenna onto the transceiver.

NOTE: Water resistance of the transceiver is assured only when the battery pack and antenna are attached to the transceiver and **MIC/SP** rubber cap is installed in the **MIC/SP** jack.

6.2 RECEPTION

1. Press and hold in the **POWER** switch for two seconds to turn the transceiver on.
2. Press the **SQL** switch, then press the [▼] key until the SQL level is **00**. This state is known as “Squelch Off.”
3. Turn up the **VOLUME CONTROL** knob until the noise or audio from the speaker is at a comfortable level.
4. Press the [▲] or [▼] key to select a channel or frequency that has no signal being received (no one is transmitting on the channel) and where only noise is heard.



5. Press the **SQL** switch, then press the [▲] key and stop immediately after the noise disappears. This condition is known as the “Squelch Threshold.” If the squelch is set to a higher level, weak signals may not be received. No noise or no signal is heard until a signal is received that exceeds the squelch threshold. Sometimes, a slight adjustment of the squelch threshold is needed, as some channels have a higher noise level than others.

NOTE: To quickly open the squelch and monitor a channel before transmitting, press and hold this key for 3 seconds.

6. Press the [**SCAN**] key momentarily to channel the scanning. Refer to section 7.2 for programming channels into scan memory.
7. Please refer to section 12 for VHF Marine channel assignments.
8. The LCD and keypad are illuminated for 5 seconds when any key is pressed. The lamp automatically turns off in about 5 seconds.
9. To “lock” the channel so that it is not accidentally changed, hold down the [H/L] key for about one second. This locks the [▲] and [▼] keys and all the front panel controls except the [H/L], **PTT** and **SQL** keys. The “**Off**” symbol will appear on the display to indicate that the keypad is locked.

Hold down the [H/L] key for about one second to unlock the keys. The “On” symbol will disappear from the display.



6.3 TRANSMISSION

1. Perform steps 1 through 5 of the RECEPTION discussion above.
2. Before transmitting, monitor the channel and make sure it is clear.

THIS IS AN FCC REQUIREMENT!

3. For communications over short distances on the Marine band, press the [H/L] key until “L” is displayed on the LCD. This indicates Low power (approximately 1 watt).

Note

Transmitting on 1 watt prolongs battery life. Low power (1 watt) should be selected whenever possible.

4. If using Low power is not effective, select Medium power (2.5 watts) or High power (5 watts) by pressing the [H/L] key until “M” (Medium power) or “H” (High power) is displayed.
5. When receiving a signal, wait until the incoming signal stops before transmitting. The transceiver cannot transmit and receive simultaneously.
6. Press the **PTT** (Push-To-Talk) switch to transmit. The “TX” indicator is displayed during transmission.
7. Speak slowly and clearly into the microphone. Hold the microphone about 1/2 to 1 inch away from your mouth.
8. When the transmission is finished, release the **PTT** switch.



For an overview of VHF Marine band operating procedures refer to section 3.

6.3.1 TRANSMIT TIME - OUT TIMER (TOT)

While the **PTT** switch is held down, transmission time is limited to 5 minutes. This prevents prolonged (unintentional) transmissions. About 10 seconds before automatic transmitter shutdown, a warning beep sounds from the speaker. The transceiver automatically switches to the receiving mode, even if the **PTT** switch is held down. Before transmitting again, the **PTT** switch must first be released, and then pressed again. This **Time-Out-Timer** (TOT) prevents a continuous transmission that would result from an accidentally stuck **PTT** switch.

6.4 NOAA WEATHER CHANNELS

1. To receive a NOAA weather broadcast, press the **[WX]** key. The transceiver changes to the weather channel mode. This mode consists of a special preset memory bank containing the NOAA weather channels.
2. The transceiver will be set to the last used NOAA weather channel. Press the **[▲]** or **[▼]** key to change to other weather channels.
3. To exit from the weather channel mode press the **[WX]** key. The transceiver will revert to the channel you were using prior to switching to the weather channel mode.



6.4.1 NOAA WEATHER ALERT

In the event of extreme weather disturbances such as storms and hurricanes, NOAA (National Oceanic and Atmospheric Administration) sends a “weather alert” consisting of a 1050 Hz tone, followed by weather reports on the weather channels. The transceiver is capable of receiving this alert if the following is performed:

1. Program your area’s weather channels into the transceiver’s scan memory. Follow the same procedure as for regular channels under section 7.2.
2. Press the **[SCAN]** key to start the scan.
3. The memorized weather channels are scanned along with the regular memorized channels. Scanning will not stop on the (continuous) weather broadcast channels unless the weather alert tone is received.
4. When an alert is received on a weather channel, scanning stops and the transceiver emits a beeping tone that will stay on for 5 minutes or until the user presses the **[WX]** key to listen to the Weather Alert.

6.5 PRESET CHANNELS (0 ~ 9): INSTANT ACCESS

Ten user-assigned channels can be programmed for instant access.

Programming

1. Hold down the [PRESET] key, and press the [▲] or [▼] key (repeatedly, if necessary) until the desired channel number is displayed.
2. With the desired number displayed, release the [PRESET] key.
3. Repeat steps 2 and 3 to program the desired channels into Preset Channels "0" ~ "9."
4. To delete a Preset Channel, hold down the [PRESET] key and press the [▲] or [▼] key until the Preset Channel number to be deleted is displayed, then release the [PRESET] key.

Operation

Pressing the [PRESET] key will toggle between Preset Channels "0" - "9" and the last selected "regular" channel. Preset Channel "0" is represented by "0" to the right of the channel number on the LCD for 1 second, and preset channel "1" is represented by "1" and so forth. The preset channel number will disappear after a few seconds.



Note: You may add an alphanumeric name "Tag" to any desired Preset Channel; refer to CH NAME SET item on the section "9 MENU ("SET") MODE."

6.6 ENABLING S.O.S. STROBE OPERATION

The S.O.S. STROBE feature utilizes the high-intensity strobe LED on the front of the **HX500S** as a visual distress beacon. When enabled, the LED blinks the internationally recognized Morse Code "S.O.S." message (•••---•••) at a rate of 5 words per minute. This can be very useful in summoning help from rescuers who may not be able to communicate with you via radio.

1. Hold down the [MEM] key while turning the radio on to activate the emergency S.O.S. Strobe. Once the radio comes on, the **BUSY/TX** LED will flash the Morse Code S.O.S. message repeatedly.
2. The S.O.S. strobe function is interrupted when a signal is received or if the squelch control is turned so audio is heard from the speaker. and during transmission.
3. To disable the S.O.S. strobe function, turn the radio off and back on again.

7. ADVANCED OPERATION ON THE MARINE BAND

7.1 USA, CANADIAN, AND INTERNATIONAL CHANNELS

1. To change from US to Canadian or International Marine Channels, hold down the [16/9] key and press the [WX] key. The band will change from USA, to International, and to Canadian with each press.
2. “USA” appears on the LCD for the USA band, “INTL” appears for the International band, and “CAN” appears for the Canadian band.
3. Refer to the marine channel charts in section 12 “VHF MARINE CHANNEL ASSIGNMENTS” for allocated channels.



7.2 MEMORY SCAN


The **HX500S** can be programmed to scan channels from a minimum of 2 channels up to all channels in the marine band. If an incoming signal is detected on one of the channels during scan, the radio will pause on that channel, allowing you to listen to the incoming transmission.

1. Press the **SQL** switch then the [▲] or [▼] key until the background noise from the speaker is turned off.
2. Select the desired channel to be included in the scan memory using the [▲] or [▼] key.
3. Press the [MEM] key to store the channel into the transceiver's scan memory. “MEM” will be displayed on the LCD.
4. Repeat steps 1 and 2 for all the channels to be scanned.
5. To delete a channel from the transceiver's scan memory select the memorized channel. Press the [MEM] key, “MEM” indicatin will be removed from the display.
6. To start scanning, press the [SCAN] key. The scan proceeds from the lowest to the highest programmed channel and stops scanning when a transmission is received. Scanning will resume when the incoming signal disappears at the end of the transmission. A small “SCAN” icon is shown on the display during scanning.
7. To stop the scan, press the [SCAN] key.



7.3 PROGRAMMABLE PRIORITY SCAN

The priority scanning feature allows the radio to scan while also keeping watch on a particularly important “priority channel.” The following channels can be set as the priority channel: 16, 09, and MARINE Preset Channel.

1. To set the priority channel, hold down the [16/9] key and press the [MEM] key. The channel will change from 16 to 09 to Preset Channels 0 through 9 with each press of the [MEM] key. When the [16/9] key is released the displayed channel will be set as the priority channel (the large “P” icon will appear at the left side of the channel number).
2. For priority scanning, hold down the [SCAN] key during normal scanning. Scanning will proceed between the memorized channels and the priority channel. The priority channel will be scanned after each programmed channel. “P” is shown on the left side of the channel number during priority scanning.
3. As an example of priority scanning, let us say that marine channels 06, 07, and 08 are memorized in the transceiver’s scan memory. Priority scanning will proceed in the following sequence:

[CH06] → [Priority Channel] → [CH07] → [Priority Channel] →
[CH08] → [Priority Channel] → [CH06] → [Priority Channel]

4. Even when the transceiver stops and listens to the signal of a programmed channel, the transceiver will shift to a “dual watch” mode between this channel and the priority channel. Therefore, your priority watching of the designated channel is not compromised when the scanner has paused on an active channel.
5. Hold down the [SCAN] key to change the priority scanning to normal scanning, and then press the [SCAN] key to stop the scan and return to normal operation.

7.4 DUAL WATCH

The Dual Watch feature allows the radio to watch for a transmission on the priority channel and another selected Marine channel until a signal is received. The priority channel is determined in section “**7.3 PROGRAMMABLE PRIORITY SCAN**”.

1. To start the Dual Watch feature, select a channel to be dual watched with the priority channel and press and hold the **[SCAN]** key. The radio checks the priority channel for voice traffic every one second. A small “**DW**” icon is will be shown blinking on the left of the display during scanning.
2. To cancel the Dual Watch feature, press the **[SCAN]** key.



7.5 TRI WATCH

Note: To use this function the radio must be setup to enable the Tri-watch function. Refer to Section 9 “**MENU (“SET”) MODE**”.

The TRI Watch feature allows the radio to watch for a transmission on the priority channel, and the secondary calling channel (channel 09) and another selected Marine channel until a signal is received. The priority channel is determined per the discussion in section “**7.3 PROGRAMMABLE PRIORITY SCAN**”.

1. To start the TRI Watch feature, select a channel and press and hold the **[SCAN]** key. The radio checks the priority channel, CH09 and the selected channel for voice traffic. A small “**DW**” icon is will be shown blinking on the left of the display during scanning.
2. To cancel the TRI Watch feature, press the **[SCAN]** key.

7.6 EMERGENCY CHANNEL 16

1. To select the emergency channel, press the **[16/9]** key from any channel.
2. If you cannot contact anyone on channel 16, switch to another channel.
3. See section “**8.1 EMERGENCY (CHANNEL 16 USE)**” for additional emergency operating practices.
4. To recall the previously-used channel when you are finished on channel 16, press the **[16/9]** key again.

7.7 CHANNEL 9

Channel 9 is used as a hailing channel for initial, non-emergency contacts with other vessels. Hold down the [16/9] key for 1 second to select channel 9. You should change to a working channel, after contact is established (so as to keep the hailing channel clear for other users).

7.8 OPERATING ON USA OR CANADIAN 13, OR USA CHANNEL 67

USA and Canadian Channel 13, USA 67 are used at docks, bridges and for maneuvering in port. Messages on this channel must concern navigation only, such as meeting and passing in restricted waters. In emergencies and when approaching blind river bends, high power is allowed. Pressing the [H/L] key will change the power output from 1 Watt (L) to 5 Watts (H); if pressed again, 2.5 Watts (M) will be selected. When the PTT switch is released, the transceiver will revert to Low power. Press the [H/L] key again if you need High power on a subsequent transmission.

7.9 OPERATING ON USA CHANNEL 67

USA Channel 67 is used for navigational bridge-to-bridge traffic between ships. This channel has been allocated for temporary high power transmission if communication is not able to be established on one watt.

Select Channel 67, then press the [H/L] key to set the transmitter output to either High or Medium power. When the PTT switch is released, the transceiver will revert to low power.

7.10 SIMPLEX/DUPLEX CHANNEL USE

All Marine channels are factory-programmed in accordance with FCC (USA), Industry Canada and International regulations. The mode of operation cannot be altered from simplex to duplex or vice-versa. Simplex (ship to ship) or duplex (marine operator) mode is automatically activated, depending on the channel and whether the USA, International or Canadian operating band is selected.

8. OPERATING PRACTICES

8.1 EMERGENCY (CHANNEL 16 USE)

Channel 16 is known as the Hail and Distress Channel. An emergency may be defined as a threat to life or property. In such instances, be sure the transceiver is on and set to CHANNEL 16. Then use the following procedure:

1. Press the microphone push-to-talk switch and say "**Mayday, Mayday, Mayday**. This is __, __, __" (your vessel's name).
2. Then repeat once: "**Mayday, __**" (your vessel's name).
3. Now report your position in latitude/longitude, or by giving a true or magnetic bearing (state which) to a well-known landmark such as a navigation aid or geographic feature such as an island or harbor entry.
4. Explain the nature of your distress (sinking, collision, aground, fire, heart attack, life-threatening injury, etc.).
5. State the kind of assistance your desire (pumps, medical aid, etc.).
6. Report the number of persons aboard and condition of any injured.
7. Estimate the present seaworthiness and condition of your vessel.
8. Give your vessel's description: length, design (power or sail), color and other distinguishing marks. The total transmission should not exceed 1 minute.
9. End the message by saying "**OVER**". Release the microphone button and listen.
10. If there is no answer, repeat the above procedure. If there is still no response, try another channel.

8.2 CALLING ANOTHER VESSEL (CHANNEL 16 OR 9)

Channel 16 may be used for initial contact (hailing) with another vessel.

However, its most important use is for emergency messages. This channel must be monitored at all times except when actually using another channel.

It is monitored by the U.S. and Canadian Coast Guards and by other vessels. **Use of channel 16 for hailing must be limited to initial contact only.** Calling should not exceed 30 seconds, but may be repeated 3 times at 2-minute intervals. In areas of heavy radio traffic, congestion on channel 16 resulting from its use as a hailing channel can be reduced significantly in U.S. waters by using **Channel 9** as the initial contact (hailing) channel for non-emergency communications. Here, also, calling time should not exceed 30 seconds but may be repeated 3 times at 2-minute intervals.

Prior to making contact with another vessel, refer to the channel charts in

this manual, and select an appropriate channel for communications after initial contact. For example, Channels 68 and 69 of the U.S. VHF Charts are some of the channels available to non-commercial (recreational) boaters. Monitor your desired channel in advance to make sure you will not be interrupting other traffic, and then go back to either channel 16 or 9 for your initial contact.

When the hailing channel (16 or 9) is clear, state the name of the other vessel you wish to call and then “**this is**” followed by the name of your vessel and your Station License (Call Sign). When the other vessel returns your call, immediately request another channel by saying “**go to**,” the number of the other channel, and “over.” Then switch to the new channel. When the new channel is not busy, call the other vessel.

After a transmission, say “**over**,” and release the microphone’s push-to-talk (PTT) switch. When all communication with the other vessel is completed, end the last transmission by stating your Call Sign and the word “**out**.” Note that it is not necessary to state your Call Sign with each transmission, only at the beginning and end of the contact.

Remember to return to Channel 16 when not using another channel. Some radios automatically monitor Channel 16 even when set to other channels or when scanning.

8.3 OPERATING ON CHANNELS 13 AND 67

Channel 13 is used at docks and bridges and by vessels maneuvering in port. Messages on this channel must concern navigation only, such as meeting and passing in restricted waters.

Channel 67 is used for navigational traffic between vessels.

By regulation, power is normally limited to 1 Watt on these channels. Your radio is programmed to automatically reduce power to this limit on these channels. However, in certain situations it may be necessary to temporarily use a higher power. See page 14 ([H/L] key) for means to temporarily override the low-power limit on these two channels.

8.4 NOAA WEATHER ALERT TESTING

In the event of a major storm or other appreciable weather condition requiring vessels at sea (or other bodies of water) to be notified, the NOAA (National Oceanographic and Atmospheric Administration) broadcasts a 1050 Hz tone that some VHF radios, including your **HX500S**, can detect for “Weather Alarm” purposes (refer to section “**6.4.1 NOAA WEATHER ALERT**” for a discussion of how to use this feature). The 1050 Hz tone, when detected, will produce a loud beep in the speaker of the **HX500S**, to signal that a Weather Alert Broadcast is being received.

In order to test this system, NOAA broadcasts the 1050 Hz tone every Wednesday sometime between 11 AM and 1 PM local time. You may use this opportunity to test your **HX500S** periodically to confirm that the Weather Alert feature is working, or for training crewmembers on how to configure the **HX500S** to receive the NOAA Weather Alerts.

9. MENU (“SET”) MODE

The Menu Mode allows a number of the **HX500S** operating parameters to be customized.

1. Turn the transceiver off.
2. Hold down the **SQL** switch, then turn on the transceiver while still holding down the **SQL** switch.
3. “**SEt**” will appear on the display, indicating that the Setup Mode has been activated.
4. Press the the **SQL** switch to select the Menu item to be adjusted.
5. Press the [**▲**] or [**▼**] key to select the status or value of the Menu item.
6. After completing your adjustment, press the **SQL** switch to save the new setting, and then press the **PTT** switch to exit to normal operation.

bEP (KEY BEEP)

Function: Enable/Disable the Keypad beep.

Available Values: ON / OFF

Default: ON

CHF (CHANNEL FREQUENCY)

Function: Enable/Disable the Channel Frequency display.

Available Values: ON / OFF

Default: OFF

CHn (CH NAME SET)

Function: Changes the channel name shown on the display.

1. Select the channel on which you wish to change the name *before* recalling this Menu item.
2. Turn the transceiver off.
3. Hold down the **SQL** switch, then turn on the transceiver while still holding down the **SQL** switch.
4. “**SEt**” will appear on the display, indicating that the Setup Mode has been activated.
5. Press the **SQL** switch to select this Menu item “**CHn**”.
6. Press the [**▲**] or [**▼**] key to select the first character (letter, number, or symbol) in the name you wish to change, then press the [**MEM**] key to move to the next character.
7. If you make a mistake, press the [**H/L**] key to move back, and then reselect the correct letter, number, or symbol.
8. Repeat step 6 as many times as necessary to complete the name tag (up

- to 12 characters).
9. After completing your adjustment, press the **SQL** switch to save the new setting.
 10. Press the **PTT** key to exit to normal operation.

dJL (DW DISPLAY)

Function: Selects the Dual Watch scanning display mode.

Available Values: Normal / Special

Default: Special

When "Special" is selected the channel shown on the display is the last channel the **HX500S** received a call on. This is a handy feature if you cannot look at the radio the moment a transmission was received.

LP (LAMP MODE)

Function: Selects the Lamp illumination method for the LCD and Keypad.

Available Values: Key / oFF / Cnt

Default: Key

Key: Illuminates the LCD/Keypad for 5 seconds when any key is pressed.

oFF: Disables the LCD/Keypad illumination.

Cnt: Illuminates the LCD/Keypad continuously.

SnL (SCAN LAMP)

Function: Enable/Disable the automatic illumination of the lamp when a signal is received on a channel during Scanning.

Available Values: ON / OFF

Default: OFF

SCn (SCAN DISPLAY)

Function: Selects the display mode while scanning.

Available Values: Normal / Special

Default: Normal

When this menu is set to "Normal," the channel numbers during scan will be shown scrolling on the display. When Special is selected the channel numbers on the display do not change unless a call was received. The channel shown is the last channel that was received.

dt (DUAL WATCH MODE)

Function: Selects dual or tri-watch as desired.

Available Values: d- (Dual Watch) / t- (Tri Watch)

Default: d-

dr (DIMMER)

Function: Setting of the Display brightness level.

Available Values: 00 / 01 / 02 / 03

Default: 02

PC (AUDIO PITCH CONTROL)

Function: This control changes the speaker audio to have a high or lower sounding pitch to assist listening in quiet or noisy environments.

Available Values: ON / OFF

Default: OFF

SOS (STROBE)

Function: Selects the S.O.S. STROBE illumination from Continuously on to SOS strobe.

Available Values: Continue / SOS

Default: SOS

10. INSTALLATION OF OPTIONS

10.1 FBA-25A Alakline BATTERY Tray

FBA-25A is a battery case that holds six alkaline batteries and is used with the **HX500S** transceiver.

1. Slide the batteries into the **FBA-25A** with the Negative [-] side of the batteries touching the **spring** connections inside the **FBA-25A**.
2. Insert the **FBA-25A** into the battery compartment on the back of the transceiver, then close the Battery Pack Latch until it locks in place with a "click."

Note: The battery indicator on the transceiver is only applicable to the **FNB-V98LI** rechargeable battery. Disregard this indication when using alkaline batteries.

11. MAINTENANCE

11.1 GENERAL

The inherent quality of the solid-state components in STANDARD HORIZON radios will provide many years of continuous use. Take the following precautions to prevent damage to the radio.

- Keep the microphone connected or the jack covered at all times to prevent corrosion of electrical contacts;
- Never key the transmitter unless an antenna or suitable dummy load is connected to the antenna receptacle.
- Ensure that the input voltage does not exceed the value specified in your Owner's Manual.
- Use only STANDARD HORIZON-approved accessories and replacement parts.

11.2 REPLACEMENT PARTS

Occasionally an owner needs a replacement parts. These can be ordered from our Parts Department by writing or calling:

Marine Division of Vertex Standard

US Headquarters

10900 Walker Street, Cypress, CA 90630, U.S.A.

Telephone (714) 827-7600

Commonly requested parts, and their part numbers are listed below.

- **VOLUME Knob:** RA0778300
- **MIC/SP Cover:** RA0768200
- **Belt Clip:** AAE04X001
- **CMP460 Microphone cable:** S8101022

11.3 TROUBLESHOOTING CHART

TROUBLESHOOTING CHART		
SYMPTOM	PROBABLE CAUSE	REMEDY
The [SCAN] key does not start the scan.	No channels memorized.	Use the [MEM] key to enter desired channels into the transceiver's memory.
	Squelch is not adjusted.	Adjust the squelch to threshold or to the point where noise just disappears. Further adjustment of the squelch control may eliminate incoming signals.
The USA/INTL/CAN modes do not function.	Proper operation not followed.	HOLD down the [16/9] key and press the [WX] key.
Press and holding the SQL switch does not eliminate background noise.	Low battery.	Charge battery. Refer to section 4 of this manual.
Cannot change any function.	Key Lock is on.	Turn Key Lock off. Refer to section 5, (12) [H/L] key.
Key Lock does not function.	Proper operation not followed.	Hold down the [H/L] key for 1 second.
Indicator does not light when charging a battery.	Defective battery FNB-V98LI .	Contact your Standard Horizon dealer.

12. VHF MARINE CHANNEL ASSIGNMENTS

Tables on the following pages list the VHF Marine Channel assignments for U.S.A. and International use. Below are listed some data about the charts.

1. VTS. Where indicated, these channels are part of the U.S. Coast Guard's **Vessel Traffic System**.
2. Alpha channel numbers, that is, channel numbers followed by the letter A (such as Channel 07A) are **simplex** channels on the U.S.A. or Canadian channel assignments whose counterparts in the International assignments are **duplex** channels. International channels do not use "alpha" numbers. If you call the Coast Guard on Channel 16, they will sometimes ask you to "**go to channel 22 Alpha**." This is a channel assigned to U.S.A., and Canadian Coast Guards for handling distress and other calls. If your radio is set for **International** operation you will go to Channel 22 instead of 22A, and will not be able to communicate with the Coast Guard. To use Channel 22A, your radio must be set for **USA** or **Canada** operation, using the USA/CAN/INTL channel selection procedure described on page 28 of this manual. Channel 22 (without an "A") is an **International** duplex channel for port operations. The **HX500S** displays an "A" adjacent to the channel number on all "Alpha" channels, unlike some other models that may not indicate the "A" even though they may be set to the correct frequency.
3. Bridge-to-Bridge channels (for example, Channel 13) are for use by bridge operators on inter-coastal waterways and rivers. It is also used by marine vessels in the vicinity of these bridges for navigation and for communicating with the bridge operators. Note that a limit of 1 Watt is specified for these channels.
4. The **S/D** column on the chart indicates either S (simplex) or D (duplex). **Simplex** means transmitting and receiving on the same frequency. Only one party at a time can talk, unlike a telephone. Be sure to say "**over**" and release your microphone push-to-talk switch at the end of each transmission. **Duplex** operation involves the use of one frequency for transmitting and a separate frequency for receiving. On channels specified as duplex on the charts, correct mode of operation is established automatically by your radio when you select a channel; you cannot change the mode. And you still must release the push-to-talk switch after each transmission in order to listen to the radio.
5. Channels normally used by recreational boaters are those that include

the term “non-commercial” in the **Channel Use** column of the chart. Some of these are shared with other users and some are used only in certain geographic regions.

6. Marine vessels equipped with VHF radios are required to monitor Channel 16.

VHF Marine Channel

VHF MARINE CHANNEL CHART							
CH	U	C	I	S/D	TX	RX	CHANNEL USE
01		X	X	D	156.050	160.650	Public Correspondence (Marine Operator)
01A	X			S	156.050		Port Operation and Commercial. VTS in selected areas
02		X	X	D	156.100	160.700	Public Correspondence (Marine Operator)
03		X	X	D	156.150	160.750	Public Correspondence (Marine Operator)
03A	X			S	156.150		US Government only, Coast Guard
04			X	D	156.200	160.800	Public Correspondence (Marine Operator), Port operation, ship movement
04A		X		S	156.200		Pacific coast: Coast Guard, East Coast: Commercial fishing
05			X	D	156.250	160.850	Public Correspondence (Marine Operator), Port operation, ship movement
05A	X	X		S	156.250		Port operation. VTS in Seattle
06	X	X	X	S	156.300		Inter-ship Safety
07			X	D	156.350	160.950	Public Correspondence (Marine Operator), Port operation, ship movement
07A	X	X		S	156.350		Commercial
08	X	X	X	S	156.400		Commercial (Inter-ship only)
09	X	X	X	S	156.450		Boater Calling channel, Commercial & Non-commercial (Recreational)
10	X	X	X	S	156.500		Commercial
11	X	X	X	S	156.550		Commercial. VTS in selected areas.
12	X	X	X	S	156.600		Port operation. VTS in selected areas.
13	X	X	X	S	156.650		Inter-ship Navigation Safety (Bridge-to-bridge)
14	X	X	X	S	156.700		Port operation. VTS in selected areas.
15	X			S	- - -	156.750	Environmental (Receive only)
15		X	X	S	156.750		Commercial, non-commercial, ship movement (1 W)
16	X	X	X	S	156.800		International Distress, Safety and Calling
17	X	X	X	S	156.850		State Controlled (1 W)
18			X	D	156.900	161.500	Port operation, ship movement
18A	X	X		S	156.900		Commercial
19			X	D	156.950	161.550	Port operation, ship movement
19A	X			S	156.950		US: Commercial
19A		X		S	156.950		Coast Guard
20	X	X	X	D	157.000	161.600	Canadian Coast Guard Only, International: port operations and shipment
20A	X			S	157.000		Port operation
21			X	D	157.050	161.650	Port operation, ship movement
21A	X	X		S	157.050		U.S. Government Only, Canadian Coast Guard
22			X	D	157.100	161.700	Port operation, ship movement
22A	X	X		S	157.100		US and Canadian Coast Guard Liaison and Maritime Safety Information Broadcasts announced on channel 16

VHF MARINE CHANNEL CHART							
CH	U	C	I	S/D	TX	RX	CHANNEL USE
23		X	X	D	157.150	161.750	Public Correspondence (Marine Operator)
23A	X			S	157.150		U.S. Government Only
24	X	X	X	D	157.200	161.800	Public Correspondence (Marine Operator)
25	X	X	X	D	157.250	161.850	Public Correspondence (Marine Operator)
26	X	X	X	D	157.300	161.900	Public Correspondence (Marine Operator)
27	X	X	X	D	157.350	161.950	Public Correspondence (Marine Operator)
28	X	X	X	D	157.400	162.000	Public Correspondence (Marine Operator)
60		X	X	D	156.025	160.625	Public Correspondence (Marine Operator)
61			X	D	156.075	160.675	Public Correspondence (Marine Operator), Port operation, ship movement
61A	X	X		S	156.075		U.S. Government Only, Canadian Coast Guard-Pacific Coast, Commercial Fishing-East Coast
62			X	D	156.125	160.725	Public Correspondence (Marine Operator), Port operation, ship movement
62A		X		S	156.125		Public Coast: Coast Guard; East Coast: commercial fishing only
63			X	D	156.175	160.775	Public Correspondence (Marine Operator), Port operation, ship movement
63A	X			S	156.175		Port Operation and Commercial. VTS in selected areas.
64		X	X	D	156.225	160.825	Public Correspondence (Marine Operator), Port operation, ship movement
64A	X	X		S	156.225		U.S. Government Only, Canadian Commercial Fishing
65			X	D	156.275	160.875	Public Correspondence (Marine Operator), Port operation, ship movement
65A	X	X		S	156.275		Port Operations
66			X	D	156.325	160.925	Public Correspondence (Marine Operator), Port operation, ship movement
66A	X	X		S	156.325		Port Operations
67	X	X	X	S	156.375		US: Commercial. Used for Bridge-to-bridge communications in lower Mississippi River. Inter-ship only, Canada: Commercial fishing, S&R
68	X	X	X	S	156.425		Non-commercial (Recreational)
69	X	X	X	S	156.475		US: Non-commercial (Recreational), Canada: Commercial fishing only, International: Inter-ship, Port operations and Ship movement
70	X	X	X	S	156.525		Digital selective calling (voice communications not allowed)
71	X	X	X	S	156.575		US, Canada: Non-commercial (Recreational), International: Port operations and Ship movement
72	X	X	X	S	156.625		Non-commercial (Inter-ship only)
73	X	X	X	S	156.675		US: Port Operations, Canada: Commercial fishing only, International: Inter-ship, Port operations and Ship movement
74	X	X	X	S	156.725		US: Port Operations, Canada: Commercial fishing only, International: Inter-ship, Port operations and Ship movement
75	X			S	156.775		Port Operations (Inter-ship only) (1W)
76	X			S	156.825		Port Operations (Inter-ship only) (1W)
77	X	X		S	156.875		Port Operations (Inter-ship only) (1W)
77			X	S	156.875		Port Operations (Inter-ship only)
78			X	D	156.925	161.525	Public Correspondence (Marine Operator), Port operation, ship-movement
78A	X	X		S	156.925		Non-commercial (Recreational)

VHF MARINE CHANNEL CHART							
CH	U	C	I	S/D	TX	RX	CHANNEL USE
79			X	D	156.975	161.575	Port operation and Ship movement
79A	X	X		S	156.975		Commercial
80			X	D	157.025	161.625	Port operation, ship movement
80A	X	X		S	157.025		Commercial
81			X	D	157.075	161.675	Port operation, ship movement
81A	X	X		S	157.075		U.S. Government Only - Environmental protection operations.
82			X	D	157.125	161.725	Public Correspondence (Marine Operator), Port operation, ship movement
82A	X	X		S	157.125		U.S. Government Only, Canadian Coast Guard Only
83	X	X	X	D	157.175	161.775	Canadian Coast Guard Only
83A	X	X		S	157.175		U.S. Government Only, Canadian Coast Guard Only
84	X	X	X	D	157.225	161.825	Public Correspondence (Marine Operator)
85	X	X	X	D	157.275	161.875	Public Correspondence (Marine Operator)
86	X	X	X	D	157.325	161.925	Public Correspondence (Marine Operator)
87	X	X		D	157.375	161.975	Public Correspondence (Marine Operator)
87			X	S	157.375		Public Correspondence (Marine Operator)
88	X	X		D	157.425	162.025	Public Correspondence (ship-to-coast)
88			X	S	157.425		Public Correspondence (ship-to-coast)
88A	X			S	157.425		Commercial, Inter-ship Only
WX01	X	X	X	D	---	162.550	Weather (receive only)
WX02	X	X	X	D	---	162.400	Weather (receive only)
WX03	X	X	X	D	---	162.475	Weather (receive only)
WX04	X	X	X	D	---	162.425	Weather (receive only)
WX05	X	X	X	D	---	162.450	Weather (receive only)
WX06	X	X	X	D	---	162.500	Weather (receive only)
WX07	X	X	X	D	---	162.525	Weather (receive only)
WX08	X	X	X	D	---	161.650	Weather (receive only)
WX09	X	X	X	D	---	161.775	Weather (receive only)
WX10	X	X	X	D	---	163.275	Weather (receive only)

The above **BOLD** channels are not for use of the general public in U.S. waters, unless proper authorization is given.

Channel designator	Carrier frequency (MHz)		Points of communication (Intership and between coast and ship unless otherwise indicated)	
	Ship transmit	Coast transmit		
Port Operations				
01A ¹	156.050	156.050		
63A ¹	156.175	156.175		
05 ²	156.250	156.250		
65A	156.275	156.275		
66A	156.325	156.325		
12 ³	156.600	156.600		
73	156.675	156.675		
14 ³	156.700	156.700		
74	156.725	156.725		
77 ⁴	156.875			
20A ¹²	157.000			
Navigational (Bridge-to-Bridge)⁵				
13 ⁶	156.650	156.650		
67 ⁷	156.375	156.375		
Commercial				
01A ¹	156.050	156.050	Intership only. Do.	
63A ¹	156.175	156.175		
07A	156.350	156.350		
67 ⁷	156.375			
08	156.400		
09	156.450	156.450		
10	156.500	156.500		
11 ³	156.550	156.550		
18A	156.900	156.900		
19A	156.950	156.950		
79A	156.975	156.975		
80A	157.025	157.025		
88A ⁸	157.425		
72 ¹⁴	156.625		
Digital Selective Calling				
70 ¹⁵	156.525	156.525		

Channel designator	Carrier frequency (MHz)		Points of communication (Intership and between coast and ship unless otherwise indicated)	
	Ship transmit	Coast transmit		
Noncommercial				
68 ¹⁷	156.425	156.425	Intership only. Great Lakes only. Do. Intership only.	
09 ¹⁶	156.450	156.450		
69	156.475	156.475		
71	156.575	156.575		
72	156.625		
78A	156.925	156.925		
79A	156.975	156.975		
80A	157.025	157.025		
67 ¹⁴	156.375		
Distress, Safety and Calling				
16	156.800	156.800		EPRIB
Intership Safety				
06	156.300		a. Intership, or b. For SAR: Ship and aircraft for the U.S. Coast Guard.
Environmental				
15 ¹³	156.750	Coast to ship only.	
Maritime Control				
17 ^{9,10}	156.850	156.850		
Liaison, U.S. Coast Guard				
22A ¹¹	157.100	157.100	Ship, aircraft, and coast stations of the U.S. Coast Guard and at Lake Mead, Nev., ship and coast stations of the National Park Service, U.S. Department of the Interior.	

- 156.050 MHz and 156.175 MHz are available for port operations and commercial communications purposes when used only within the U.S. Coast Guard designated Vessel Traffic Services (VTS) area of New Orleans, on the lower Mississippi River from the various pass entrances in the Gulf of Mexico to Devil's Swamp Light at River Mile 242.4 above head of passes near Baton Rouge.
- 156.250 MHz is available for port operations communications use only within the U.S. Coast Guard designated VTS radio protection areas of New Orleans and Houston described in Sec. 80.383. 156.250 MHz is available for intership port operations communications used only within the area of Los Angeles and Long Beach harbors, within a 25- nautical mile radius of Point Fermin, California.
- 156.550 MHz, 156.600 MHz and 156.700 MHz are available in the U.S. Coast Guard designated port areas only for VTS communications and in the Great Lakes available primarily for communications relating to the movement of ships in sectors designated by the St. Lawrence Seaway Development Corporation or the U.S. Coast Guard. The use of these frequencies outside VTS and ship movement sector protected areas is permitted provided they cause no interference to VTS and ship movement communications in their respective designated sectors.

- 4: Use of 156.875 MHz is limited to communications with pilots regarding the movement and docking of ships. Normal output power must not exceed 1 watt.
- 5: 156.375 MHz and 156.650 MHz are available primarily for intership navigational communications. These frequencies are available between coast and ship on a secondary basis when used on or in the vicinity of locks or drawbridges. Normal output power must not exceed 1 watt. Maximum output power must not exceed 10 watts for coast stations or 25 watts for ship stations.
- 6: On the Great Lakes, in addition to bridge-to-bridge communications, 156.650 MHz is available for vessel control purposes in established vessel traffic systems. 156.650 MHz is not available for use in the Mississippi River from South Pass Lighted Whistle Buoy "2" and Southwest Pass entrance Midchannel Lighted Whistle Buoy to mile 242.4 above Head of Passes near Baton Rouge. Additionally it is not available for use in the Mississippi River-Gulf Outlet, the Mississippi River-Gulf Outlet Canal, and the Inner Harbor Navigational Canal, except to aid the transition from these areas.
- 7: Use of 156.375 MHz is available for navigational communications only in the Mississippi River from South Pass Lighted Whistle Buoy "2" and Southwest Pass entrance Mid-channel Lighted Whistle Buoy to mile 242.4 above head of Passes near Baton Rouge, and in addition over the full length of the Mississippi River-Gulf Outlet Canal from entrance to its junction with the Inner Harbor Navigation Canal, and over the ull length of the Inner Harbor Navigation Canal from its junction with the Mississippi River to its entry to Lake Pontchartrain at the New Seabrook vehicular bridge.
- 8: Within 120 km (75 miles) of the United States/Canada border, in the area of the Puget Sound and the Strait of Juan de Fuca and its approaches, 157.425 MHz is half of the duplex pair designated as Channel 88. In this area, Channel 88 is available to ship stations for communications with public coast stations only. More than 120 km (75 miles) from the United States/Canada border in the area of the Puget Sound and the Strait of Juan de Fuca, its approaches, the Great Lakes, and the St. Lawrence Seaway, 157.425 MHz is available for intership and commercial communications. Outside Puget Sound area and its approaches and the Great Lakes, 157.425 MHz is also available for communications between commercial fishing vessels and associated aircraft while engaged in commercial fishing activities.
- 9: When the frequency 156.850 MHz is authorized, it may be used additionally for search and rescue training exercises conducted by state or local governments.
- 10: The frequency 156.850 MHz is additionally available to coast stations on the Great Lakes for transmission of scheduled Coded Marine Weather Forecasts (MAFOR), Great Lakes Weather Broadcast (LAWEB) and nscheduled Notices to Mariners or Bulletins. F3C and J3C emissions are permitted. Coast Stations on the Great Lakes must cease weather broadcasts which cause interference to stations operating on 156.800 MHz until the interference problem is resolved.
- 11: The frequency 157.100 MHz is authorized for search and rescuetraining exercises by state or local government in conjunction with U.S. Coast Guard stations. Prior U.S. Coast Guard approval is required. Use must cease immediately on U.S. Coast Guard request.
- 12: The duplex pair for channel 20 (157.000/161.600 MHz) may be used for ship to coast station communications.
- 13: Available for assignment to coast stations, the use of which is in accord with an agreed program, for the broadcast of information to ship stations concerning the environmental conditions in which vessels operate, i.e., weather; sea conditions; time signals; notices to mariners; and hazards to navigation.
- 14: Available only in the Puget Sound and the Strait of Juan de Fuca.
- 15: The frequency 156.525 MHz is to be used exclusively for distress, safety and calling using digital selective calling techniques. No other uses are permitted.
- 16: The frequency 156.450 MHz is available for intership, ship and coast general purpose calling by noncommercial vessels, such as recreational boats and private coast stations.
- 17: The frequency 156.425 MHz is assigned by rule to private coast stations in Alaska for facsimile transmissions as well as voice communications.

13. WARRANTY

Marine Products Limited Warranty

PLEASE NOTE

The following "Limited Warranty" is for valid for products that have been purchased in the United States and Canada. For limited Warranty details outside the United States, contact the dealer in your country.

STANDARD HORIZON (a division of VERTEX STANDARD) warrants, to the original purchaser only, each new Marine Communications Product ("Product") manufactured and/or supplied by STANDARD HORIZON against defects in materials and workmanship under normal use and service for a period of time from the date of purchase as follows:

Fixed Mount and Portable Transceivers

1 year - if purchased before 01/01/91

3 years - if purchased between 01/01/91 and 01/01/94

3 years Waterproof - if purchased after 01/01/94

Loud hailers

1 year - if purchased before 01/01/91

3 years - if purchased after 01/01/91

Associated Chargers

1 year - if purchased before 01/01/91

3 years - if purchased after 01/01/91

Associated Batteries - 1 year.

Note: Batteries will be deemed defective only if storage capacity drops below 80% of rated capacity or if leakage develops.

Associated Accessories - 1 year. Includes: Microphones/Handsets, External Speakers, Antennas, Carrying Accessories, Power Supplies, and Signaling Boards.

To receive warranty service, the purchaser must deliver the Product, transportation and insurance prepaid, to STANDARD HORIZON (a division of VERTEX STANDARD). Include proof of purchase indicating model, serial number, and date of purchase. STANDARD HORIZON will return the Product to the purchaser freight prepaid. Products purchased prior to January 1, 1991 will bear the STANDARD HORIZON warranty terms in effect prior to that date.

In the event of a defect, malfunction or failure of the Product during the warranty period, STANDARD HORIZON's liability for any breach of contract or any breach of express or implied warranties in connection with the sale of Products shall be limited solely to repair or replacement, at its option, of the Product or part(s)

therein which, upon examination by STANDARD HORIZON, appear to be defective or not up to factory specifications. STANDARD HORIZON may, at its option, repair or replace parts or subassemblies with new or reconditioned parts and subassemblies. Parts thus repaired or replaced are warranted for the balance of the original applicable warranty.

STANDARD HORIZON will not warrant installation, maintenance or service of the Products. In all instances, STANDARD HORIZON's liability for damages shall not exceed the purchase price of the defective Product.

This warranty only extends to Products sold within the 50 States of the United States of America and the District of Columbia.

STANDARD HORIZON will pay all labor to repair the product and replacement parts charges incurred in providing the warranty service except where purchaser abuse or other qualifying exceptions exist. The purchaser must pay any transportation expenses incurred in returning the Product to STANDARD HORIZON for service.

This limited warranty does not extend to any Product which has been subjected to misuse, neglect, accident, incorrect wiring by anyone other than STANDARD HORIZON, improper installation, or subjected to use in violation of instructions furnished by STANDARD HORIZON, nor does this warranty extend to Products on which the serial number has been removed, defaced, or changed. STANDARD HORIZON cannot be responsible in any way for ancillary equipment not furnished by STANDARD HORIZON which is attached to or used in connection with STANDARD HORIZON's Products, or for the operation of the Product with any ancillary equipment, and all such equipment is expressly excluded from this warranty. STANDARD HORIZON disclaims liability for range, coverage, or operation of the Product and ancillary equipment as a whole under this warranty. STANDARD HORIZON reserves the right to make changes or improvements in Products, during subsequent production, without incurring the obligation to install such changes or improvements on previously manufactured Products.

The implied warranties which the law imposes on the sale of this Product are expressly LIMITED, in duration, to the time period specified above. STANDARD HORIZON shall not be liable under any circumstances for consequential damages resulting from the use and operation of this Product, or from the breach of this LIMITED WARRANTY, any implied warranties, or any contract with STANDARD HORIZON. IN CONNECTION WITH THE SALE OF ITS PRODUCTS, STANDARD HORIZON MAKES NO WARRANTIES, EXPRESS OR IMPLIED AS TO THE MERCHANTABILITY OR FITNESS FOR A PARTICULAR PURPOSE OR OTHERWISE, EXCEPT AS EXPRESSLY SET FORTH HEREIN.

Some states do not allow the exclusion or limitation of incidental or consequential damages, or limitation on how long an implied warranty lasts, so the above limitations or exclusions may not apply. This warranty gives specific legal rights, and there may be other rights which may vary from state to state.

ONLY PRODUCTS SOLD ON OR AFTER JANUARY 1, 1991 ARE COVERED UNDER THE TERMS OF THIS LIMITED WARRANTY.

PRODUCT WARRANTY REGISTRATION

THANK YOU for buying STANDARD HORIZON (a division of Vertex Standard) products!

Please visit www.standardhorizon.com to register the **HX500S** Marine VHF. It should be noted that visiting the Web site from time to time may be beneficial to you, as new products are released they will appear on the STANDARD HORIZON Web site.

Product Support Inquiries

If you have any questions or comments regarding the use of the **HX500S**, you can visit the STANDARD HORIZON Web site to send an E-mail or contact the Product Support team at (714) 827-7600 ext 6300 M-F 7:00-5:00PST.

In addition to the warranty, STANDARD HORIZON includes a lifetime "flat rate" program to provide service after the warranty period has expired. If you wish to obtain the flat rate price for out-of-warranty repair, you must include the information on the Owner's Record with the unit when you return it to your Dealer or to STANDARD HORIZON.

Lifetime Flat Rate Service Program: For the original Owner only, for the lifetime of the unit, STANDARD HORIZON will repair the unit to original specifications.

Note: The flat rate amount is payable by the Owner only if STANDARD HORIZON or the STANDARD HORIZON Dealer determines that a repair is needed. After the repair, a 90-day warranty will be in effect from the date of return of the unit to the Owner.

This service program is not available for equipment that has failed as a result of neglect, accident, breakage, misuse, improper installation or modification, or water damage (depending on the product).

14. SPECIFICATIONS

Performance specifications are nominal, unless otherwise indicated, and are subject to change without notice.

15.1 GENERAL

Frequency Ranges (MHz):	156 MHz - 163.275 MHz (Marine Band + WX Band) Channel Steps: 25 kHz
Frequency Stability:	±10 ppm (−4 °F to +140 °F [−20 °C to +60 °C])
Emission Type:	16K0G3E
Antenna Impedance:	50 Ohms
Supply Voltage:	Nominal: 7.4 V DC, Negative Ground (Battery Terminal)
Current Consumption:	170 mA (Receive) 50 mA (Standby) 1.45 A (5 W transmit) 1.0 A (2.5 W transmit) 0.6 A (1 W transmit)
Battery life:	16 hours (5/5[5W]/90 duty cycle)
Operating Temperature:	−4 °F to +140 °F (−20 °C to +60 °C)
Case Size (W x H x D):	2.36" x 4.09" x 1.2" (60 x 104 x 30.5 mm) w/o knob & antenna
Weight (Approx.):	10.6 (300 g) with FNB-V98LI, Antenna

15.2 TRANSMITTER

RF Power Output (@7.4 V):	5, 2.5 or 1 W
Modulation Type:	Variable Reactance
Maximum Deviation:	±5 kHz
Spurious Emission:	At least 65 dB below
Microphone Impedance:	2 k-Ohm

15.3 RECEIVER

Circuit Type:	Double-Conversion Superheterodyne
Intermediate Frequencies:	1st: 47.25 MHz 2nd: 450 kHz
Sensitivity:	0.2 µV for 12 dB SINAD
Adjacent Channel Selectivity:	65 dB Typical
Intermodulation:	65 dB Typical
Selectivity:	25 kHz (−60 dB)
AF Output (Internal speaker):	700 mW @ 16 Ohm for 10 % THD (@7.4 V)



This device complies with part 15 of the FCC rules. Operation is subject to the condition that this device does not cause harmful interference.

Part 15.21: Changes or modifications to this device not expressly approved by Vertex Standard could void the User's authorization to operate this device.



Marine Division of VERTEX STANDARD

US Headquarters

10900 Walker Street, Cypress, CA 90630, U.S.A.



E M O 1 8 N 1 1 0

Copyright 2007
VERTEX STANDARD CO., LTD.
All rights reserved.

No portion of this manual
may be reproduced
without the permission of
VERTEX STANDARD CO., LTD.

Printed in Japan