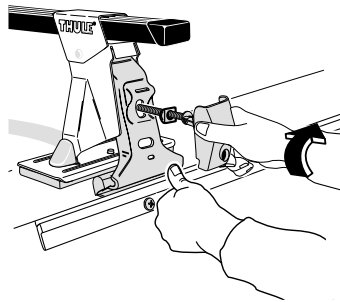
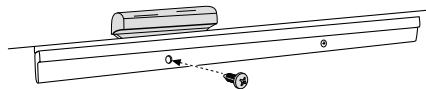
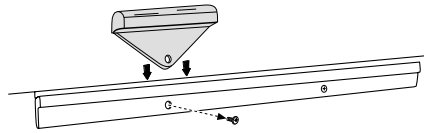
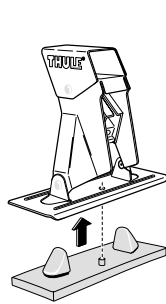
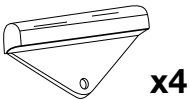
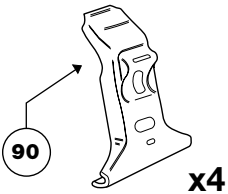
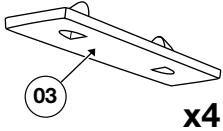
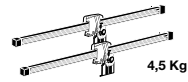
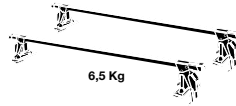
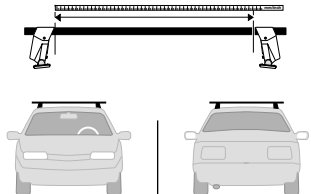


Thule System Kit 082

BUICK Regal 2-dr, 88-96
DODGE Ram Reg. Cab 2-dr, 94-01
DODGE Ram Ext. Cab 3-dr, 94-01
DODGE Ram Quad Cab 4-dr, 98-01
OLDSMOBILE Cutlass Supreme 2-dr, 88-96



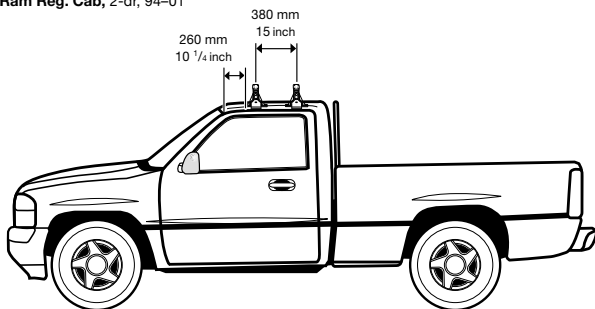
GB The tensioning attachments should always be left on the vehicle.



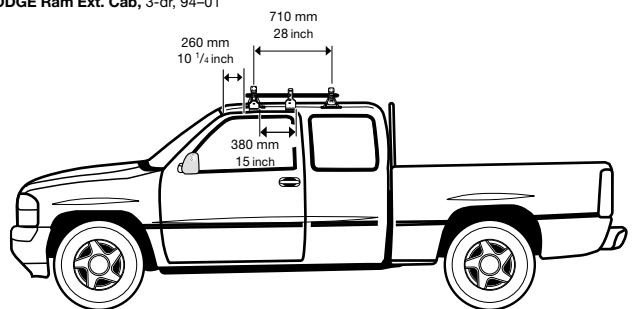
GB Hook the brackets into place in the attachment clips.

BUICK Regal 2-dr, 88-96	863 mm 34 1/2 inch	825 mm 32 1/8 inch
DODGE Ram Reg. Cab 2-dr, 94-01	1120 mm 44 1/8 inch	1120 mm 44 1/8 inch
DODGE Ram Ext. Cab 3-dr, 94-01	1120 mm 44 1/8 inch	1120 mm 44 1/8 inch
DODGE Ram Quad Cab 4-dr, 98-01	1120 mm 44 1/8 inch	1120 mm 44 1/8 inch
OLDSMOBILE Cutlass Supreme 2-dr, 88-96	863 mm 34 1/2 inch	825 mm 32 1/8 inch

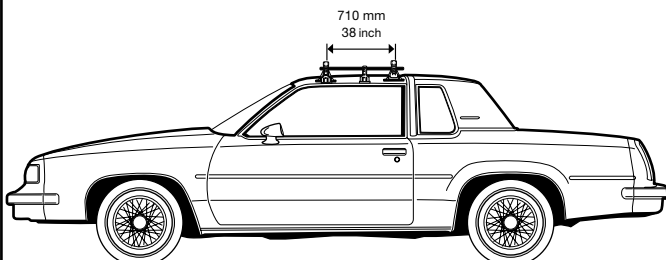
DODGE Ram Reg. Cab, 2-dr, 94-01



DODGE Ram Ext. Cab, 3-dr, 94-01



BUICK Regal, 2-dr, 88-96
OLDSMOBILE Cutlass Supreme, 2-dr, 88-96



DODGE Ram Quad Cab, 4-dr, 98-01

