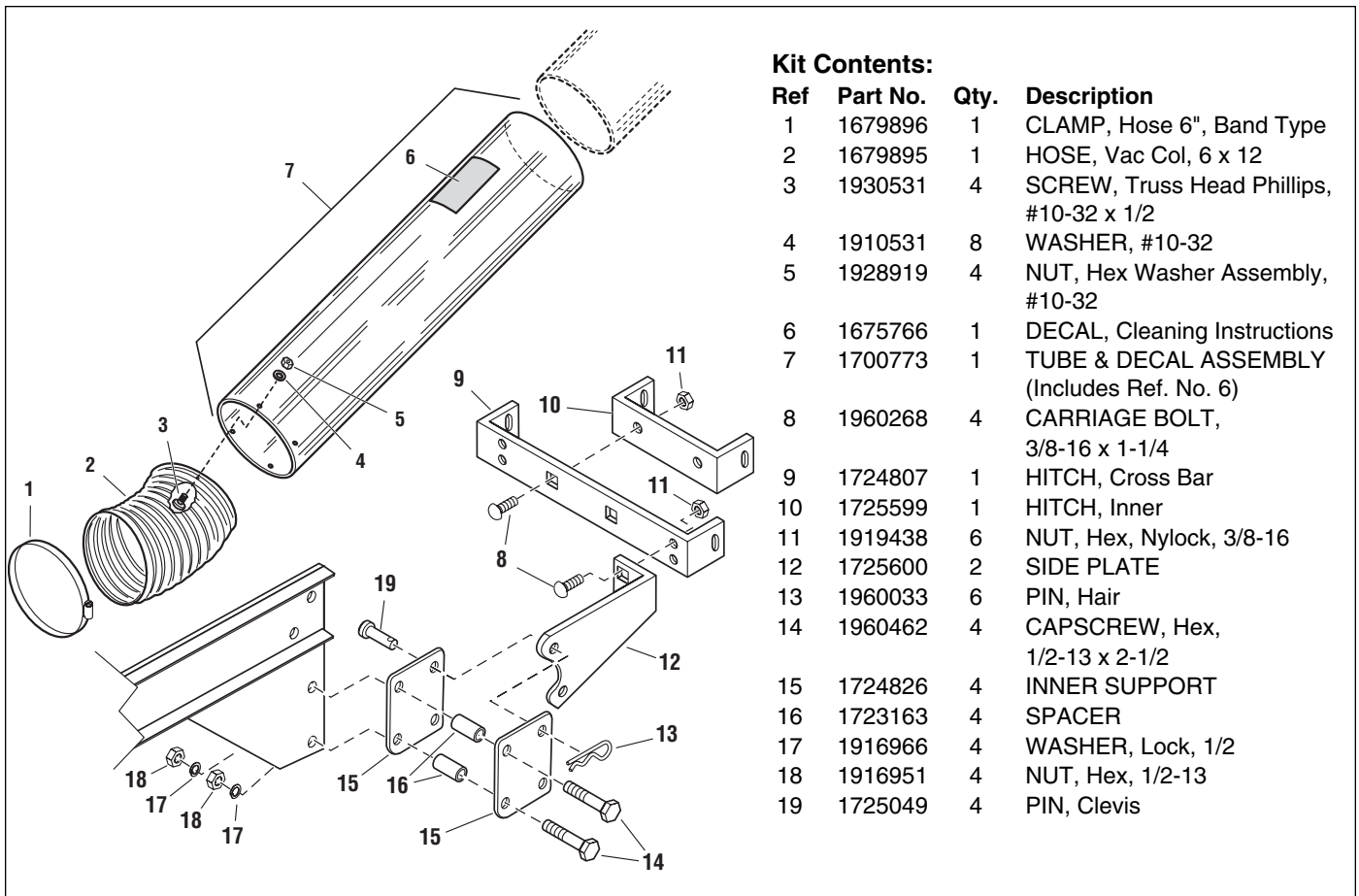


Installation Instructions

Hitch & Tube Group

Mfg. No. 1694545

For Legacy XL / 2027 / 2927 Series Garden Tractors



Kit Contents:

Ref	Part No.	Qty.	Description
1	1679896	1	CLAMP, Hose 6", Band Type
2	1679895	1	HOSE, Vac Col, 6 x 12
3	1930531	4	SCREW, Truss Head Phillips, #10-32 x 1/2
4	1910531	8	WASHER, #10-32
5	1928919	4	NUT, Hex Washer Assembly, #10-32
6	1675766	1	DECAL, Cleaning Instructions
7	1700773	1	TUBE & DECAL ASSEMBLY (Includes Ref. No. 6)
8	1960268	4	CARRIAGE BOLT, 3/8-16 x 1-1/4
9	1724807	1	HITCH, Cross Bar
10	1725599	1	HITCH, Inner
11	1919438	6	NUT, Hex, Nylock, 3/8-16
12	1725600	2	SIDE PLATE
13	1960033	6	PIN, Hair
14	1960462	4	CAPSCREW, Hex, 1/2-13 x 2-1/2
15	1724826	4	INNER SUPPORT
16	1723163	4	SPACER
17	1916966	4	WASHER, Lock, 1/2
18	1916951	4	NUT, Hex, 1/2-13
19	1725049	4	PIN, Clevis

Figure 1. Contents

WARNING

Before beginning any service work turn off the PTO, set the parking brake, turn off the ignition, and disconnect the spark plug wire(s).

HITCH INSTALLATION

1. Connect the inner hitch (B, Figure 2) to the cross bar hitch (C) using 3/8-16 x 1-1/4 carriage bolts (D) and 3/8-16 locknuts (A).
2. Connect the cross bar hitch (C, Figure 2) to the side plates (E) using 3/8-16 x 1-1/4 carriage bolts (D) and 3/8-16 locknuts (A).

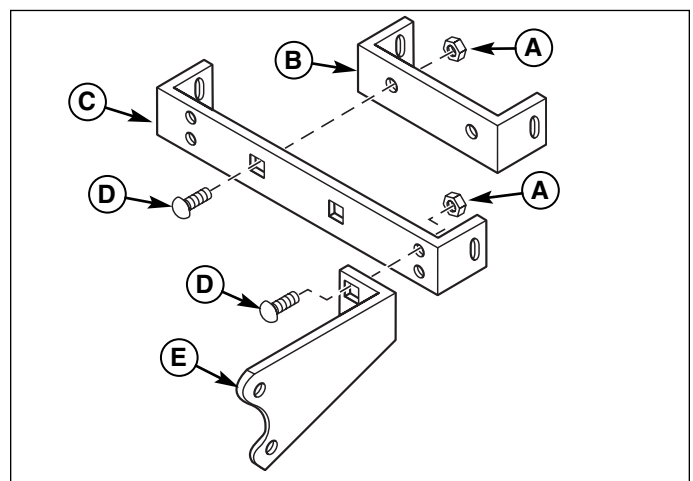


Figure 2. Hitch Installation

- A. Locknut, 3/8-16
- B. Inner Hitch
- C. Cross Bar Hitch
- D. Carriage Bolt, 3/8-16 x 1-1/4
- E. Side Plate

Standard Units

1. Slide capscrews (C, Figure 3) through one inner support (D), spacers (E), a second inner support (D) and tractor frame (I). Secure with lockwashers (F) and nuts (G).
2. Install hitches and plate (A, Figure 3) by sliding clevis pins (H) through tractor frame (I) as shown, one inner support (D), hitch & plate (A) and second inner support (D). Secure with hair pin (B).

Units with ROPS

1. Slide capscrews (C, Figure 4) through the inner support (D), spacers (E) and ROPS side plate (I). Secure with lockwashers (F) and nuts (G).
2. Install hitches and plate (A, Figure 4) by sliding clevis pins (H) through ROPS side plate (I), hitch & plate (A) and inner support (D). Secure with hair pin (B).

Units with 3-Point Hitch

1. Install hitches and plate (A, Figure 5) by sliding clevis pins (D) through 3 Point Hitch (C), and hitch & plate (A). Secure with hair pins (B).

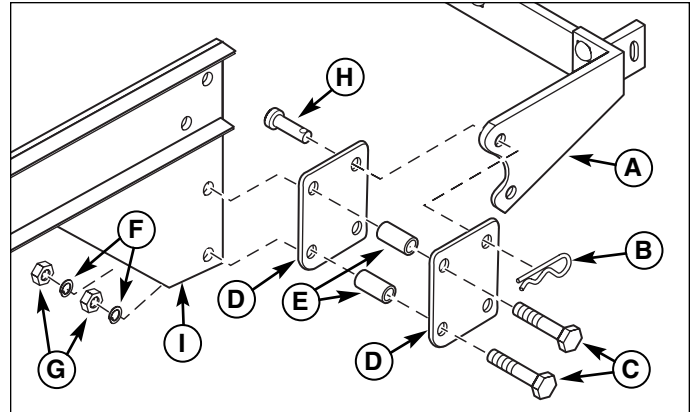


Figure 3. Hitch Standard Installation

- | | |
|-------------------------------------|----------------------------|
| A. Hitch & Plate | E. Spacers |
| B. Pins, Hair | F. Lockwashers, 1/2 |
| C. Capscrews, 1/2-13 x 2-1/2 | G. Nut, 1/2-13 |
| D. Inner Supports | H. Pin, Clevis |
| | I. Tractor Frame |

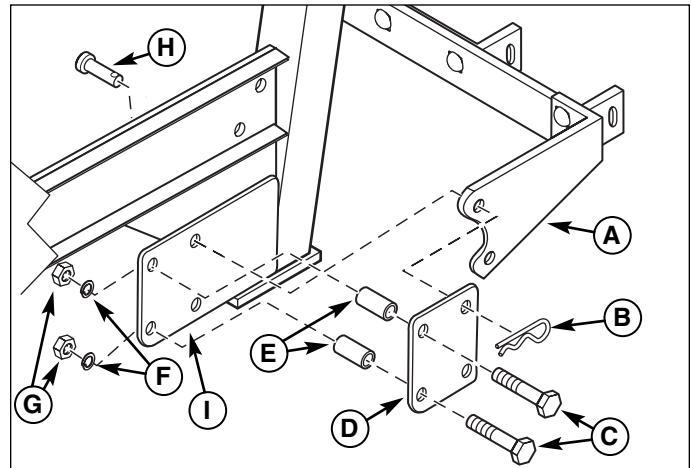


Figure 4. Hitch w/ROPS Installation

- | | |
|--|----------------------------|
| A. Hitch & Plate | E. Spacers |
| B. Pins, Hair | F. Lockwashers, 1/2 |
| C. Capscrews, Hex, 1/2-13 x 2-1/2 | G. Nut, 1/2-13 |
| D. Inner Supports | H. Pin, Clevis |
| | I. ROPS Side Plate |

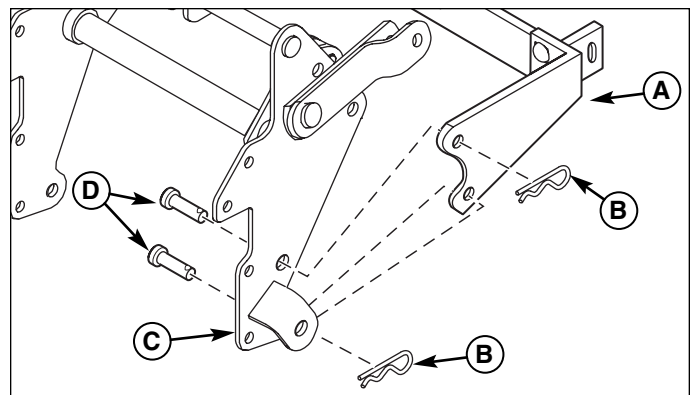


Figure 5. Hitch w/3 Point Hitch Installation

- | | |
|-----------------------------|-------------------------|
| A. Hitch & Plate | C. 3 Point Hitch |
| B. Pins, Hair | D. Clevis Pins |

DISCHARGE TUBE ASSEMBLY

1. Connect the flexible hose (F, Figure 6) and clear plastic discharge tube (B). The two should overlap by approximately 2".
2. Secure the tubes using truss head screws (E), washers (D), and locknuts (C). Insert the screws from the inside out and poke them through the flexible hose.
3. Insert the upper end of the clear tube into the cart sleeve. Slide the flex hose (F) over the turbo (H) and secure with the large hose clamp (G). The hose should overlap the turbo discharge by 2"-3".

The clamp screw should be positioned to the inside as shown to prevent accidental impact and removal of the clamp.

Check that the upper end of the clear tube (B, Figure 6) is not contacting the top of the collector cover. If necessary, cut off the clear tube flush with the sleeve (See Wide Body Cart Operators Manual).

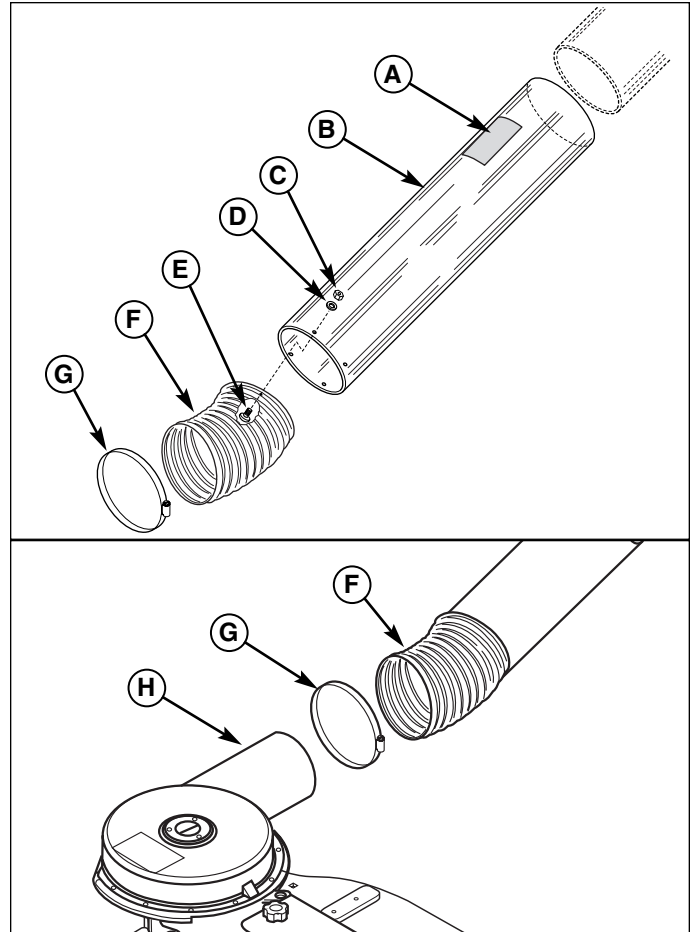


Figure 6. Discharge Tube Installation

- | | |
|--------------------------|----------------------------|
| A. Decal | E. Truss Head Screw |
| B. Discharge Tube | F. Hose |
| C. Locknut, Hose | G. Clamp |
| D. Washer | H. Turbo Discharge |

