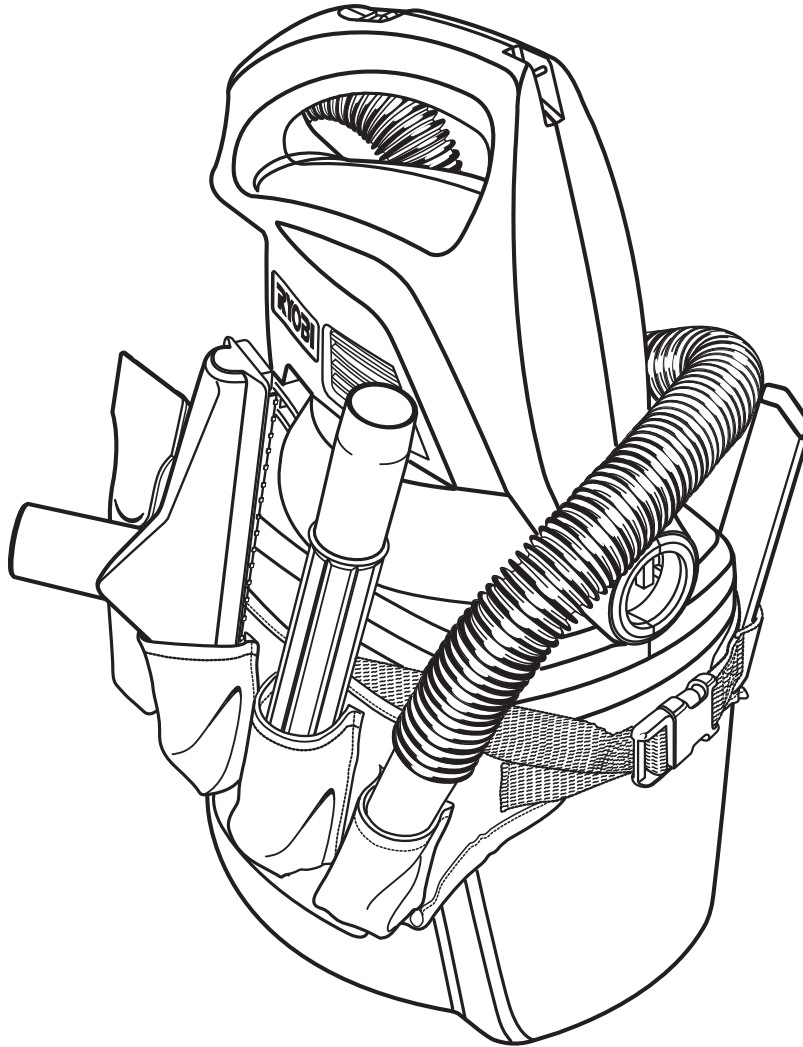




OPERATOR'S MANUAL

CANISTER VAC

P3200



**BATTERIES AND
CHARGERS SOLD
SEPERATELY**

Your canister vac has been engineered and manufactured to our high standard for dependability, ease of operation, and operator safety. When properly cared for, it will give you years of rugged, trouble-free performance.

⚠ WARNING: To reduce the risk of injury, the user must read and understand the operator's manual before using this product.

Thank you for your purchase.

SAVE THIS MANUAL FOR FUTURE REFERENCE

TABLE OF CONTENTS

■ Introduction	2
■ Warranty	2
■ Important Safety Instructions	3
■ Safety Rules for Charger	4
■ Symbols.....	5-6
■ Features.....	7-8
■ Assembly	8
■ Operation.....	9-12
■ Maintenance.....	13-14
■ Parts Ordering / Service	Back Page

INTRODUCTION

This tool has many features for making its use more pleasant and enjoyable. Safety, performance, and dependability have been given top priority in the design of this product making it easy to maintain and operate.

WARRANTY

RYOBI® POWER TOOL - LIMITED TWO YEAR WARRANTY AND 30 DAY EXCHANGE POLICY

One World Technologies, Inc., warrants its RYOBI® power tools with the following conditions:

30-DAY EXCHANGE POLICY: During the first 30 days after date of purchase, you may either request service under this warranty or you may exchange any RYOBI® power tool which does not work properly due to defective workmanship or materials by returning the power tool to the dealer from which it was purchased. To receive a replacement power tool or requested warranty service, you must present proof of purchase and return all original equipment packaged with the original product. The replacement power tool will be covered by the limited warranty for the balance of the two year period from the date of the original purchase.

WHAT THIS WARRANTY COVERS: This warranty covers all defects in workmanship or materials in your RYOBI® power tool for a period of two years from the date of purchase. With the exception of batteries, power tool accessories are warranted for ninety (90) days. Batteries are warranted for two years.

HOW TO GET SERVICE: Just return the power tool, properly packaged and postage prepaid, to an Authorized Service Center. You can obtain the location of the Service Center nearest you by contacting a service representative at One World Technologies, Inc., P.O. Box 1207, Anderson, SC 29622-1207, by calling 1-800-525-2579 or by logging on to www.ryobitools.com. When you request warranty service, you must also present proof of purchase documentation, which includes the date of purchase (for example, a bill of sale). We will repair any faulty workmanship, and either repair or replace any defective part, at our option. We will do so without any charge to you. We will complete the work in a reasonable time, but, in any case, within ninety (90) days or less.

WHAT'S NOT COVERED: This warranty applies only to the original purchaser at retail and may not be transferred. This warranty only covers defects arising under normal usage and does not cover any malfunction, failure or defects resulting from misuse, abuse, neglect, alteration, modification or repairs by other than Authorized Service Centers. One World Technologies, Inc. makes no warranties, representations or promises as to the quality or performance of its power tools other than those specifically stated in this warranty.

ADDITIONAL LIMITATIONS: Any implied warranties granted under state law, including warranties of merchantability or fitness for a particular purpose, are limited to two years from the date of purchase. One World Technologies, Inc. is not responsible for direct, indirect, or incidental damages, so the above limitations and exclusions may not apply to you. This warranty gives you specific legal rights, and you may also have other rights which vary from state to state.

IMPORTANT SAFETY INSTRUCTIONS

WARNING!

READ AND UNDERSTAND ALL INSTRUCTIONS.

Failure to follow all instructions listed below, may result in electric shock, fire and/or serious personal injury.

When using an electrical appliance, basic precautions should always be followed, including the following:

READ ALL INSTRUCTIONS BEFORE USING THIS APPLIANCE

WARNING:

To reduce the risk of electric shock **DO NOT** expose to rain. Store indoors.

- **Use only the charger recommended for your canister vac.** Do not substitute any other charger. Use of another charger could cause batteries to explode causing possible serious injury.
 - **Use battery only with charger listed.**
- | MODEL | BATTERY PACK (P100) | CHARGER (P110) |
|-------|---------------------------|------------------------------------|
| P3200 | 130255004
or 130224028 | 1423701, 140237021
or 140237023 |
- **Do not place canister vac or batteries near fire or heat.** They may explode.
 - **The product should be charged in a location where the temperature is more than 50°F but less than 100°F.**
 - **Under extreme usage or temperature conditions, battery leakage may occur.** If liquid comes in contact with skin, wash at least 10 minutes then seek immediate medical attention.
 - **Batteries vent hydrogen gas and can explode in the presence of a source of ignition, such as a pilot light.** To reduce the risk of serious personal injury, never use any cordless product in the presence of an open flame. An exploded battery can propel debris and chemicals. If exposed, flush with water immediately.
 - **Protect your lungs. Wear a face or dust mask if the operation is dusty.** Following this rule will reduce the risk of serious personal injury.
 - **Check for misalignment or binding of moving parts, breakage of parts, and any other condition that may affect the product's operation. If damaged, have the product serviced before using.** Many accidents are caused by poorly maintained products.
 - **Use only accessories that are recommended by the manufacturer for your model.** Accessories that may be suitable for one canister vac may create a risk of injury when used on another canister vac.
 - **Product service must be performed only by qualified repair personnel.** Service or maintenance performed by unqualified personnel could result in a risk of injury.
 - **When servicing product, use only identical replacement parts. Follow instructions in the Maintenance section of this manual.** Use of unauthorized parts or failure to follow Maintenance instructions may create a risk of electric shock or injury.
 - **Save these instructions. Refer to them frequently and use them to instruct others who may use this product. If you loan someone this product, loan them these instructions also.**
 - **When battery pack is not in use, keep it away from other metal objects like paper clips, coins, keys, nails, screws, or other small metal objects that can make a connection from one terminal to another.** Shorting the battery terminals together may cause burns or a fire.
 - **Do not crush, drop or damage battery pack. Do not use a battery pack or charger that has been dropped or received a sharp blow.** A damaged battery is subject to explosion. Properly dispose of a dropped or damaged battery immediately.
 - **Do not charge battery tool in a damp or wet location.** Following this rule will reduce the risk of electric shock.
- **Dress properly. Do not wear loose clothing or jewelry. Contain long hair. Keep your hair and clothing away from moving parts.** Loose clothes, jewelry, or long hair can be caught in internal moving parts.
 - **Do not overreach. Keep proper footing and balance at all times.** Proper footing and balance enables better control of the canister vac in unexpected situations. Do not use on a ladder or unstable support.
 - **Use safety equipment.** Dust mask must be used for appropriate conditions.
 - **Do not allow children to operate canister vac or play with canister vac as a toy.** Close attention is necessary when used by or near children.
 - **Use this product ONLY for its intended use as described in this manual.** Use only the attachments recommended in this manual.
 - **If product is not working properly,** has been dropped, damaged, left outdoors, or dropped into water, return to your nearest service center.
 - **Do not handle charger plug or canister vac with wet hands.**
 - **Do not put any objects in ventilation openings.** Do not use with any opening blocked. Keep openings free of dust, lint, hair, and anything that may reduce air flow.
 - **NEVER vacuum materials such as hot coals, cigarette butts, matches, burning or smoking ashes, etc.**
 - **DO NOT use to pick up flammable or combustible liquids, such as gasoline, or use in areas where they may be present.**
 - **Do not use without dust bowl or filter in place.**
 - **Turn off all controls before unplugging from or plugging into an electrical outlet for charging.**
 - **Use extra care when using on stairs.**
 - **Do not use to pick up hard objects such as nails, screws, coins, etc.** Damage or injury could result.
 - **Do not incinerate this appliance even if it is severely damaged.** The batteries can explode in a fire.
 - **Canister vac does not have to be plugged into an electrical outlet, therefore it is always in operating condition.** Be aware of possible hazards when using the canister vac or when changing accessories.
 - **Remove battery when the vacuum is not in use and before servicing.**

SAFETY RULES FOR CHARGER

WARNING!

READ AND UNDERSTAND ALL INSTRUCTIONS.

Failure to follow all instructions listed below, may result in electric shock, fire and/or serious personal injury.

- **Before using battery charger**, read all instructions and cautionary markings in this manual, on battery charger, battery, and product using battery to prevent misuse of the products and possible injury or damage.

CAUTION:

To reduce the risk of electric shock or damage to the charger and battery, charge only nickel-cadmium rechargeable batteries as specifically designated on your charger. Other types of batteries may burst, causing personal injury or damage.

- **Do not use charger outdoors or expose to wet or damp conditions.** Water entering charger will increase the risk of electric shock.
- **Use of an attachment not recommended or sold by the battery charger manufacturer may result in a risk of fire, electric shock, or injury to persons.** Following this rule will reduce the risk of electric shock, fire, or serious personal injury.
- **Do not abuse cord or charger.** Never use the cord to carry the charger. Do not pull the charger cord rather than the plug when disconnecting from receptacle. Damage to the cord or charger could occur and create an electric shock hazard. Replace damaged cords immediately.
- **Make sure cord is located so that it will not be stepped on, tripped over, come in contact with sharp edges or moving parts or otherwise subjected to damage or stress.** This will reduce the risk of accidental falls, which could cause injury, and damage to the cord, which could result in electric shock.
- **Keep cord and charger from heat to prevent damage to housing or internal parts.**
- **Do not let gasoline, oils, petroleum-based products, etc. come in contact with plastic parts.** They contain chemicals that can damage, weaken, or destroy plastic.

- **An extension cord should not be used unless absolutely necessary.** Use of improper extension cord could result in a risk of fire and electric shock. If extension cord must be used, make sure:

- a. That pins on plug of extension cord are the same number, size and shape as those of plug on charger.
- b. That extension cord is properly wired and in good electrical condition; and
- c. That wire size is large enough for AC ampere rating of charger as specified below:

Cord Length (Feet)	25'	50'	100'
Cord Size (AWG)	16	16	16

NOTE: AWG = American Wire Gauge

- **Do not operate charger with a damaged cord or plug**, which could cause shorting and electric shock. If damaged, have the charger replaced by an authorized serviceman.
- **Do not operate charger if it has received a sharp blow, been dropped, or otherwise damaged in any way.** Take it to an authorized serviceman for electrical check to determine if the charger is in good working order.
- **Do not disassemble charger.** Take it to an authorized serviceman when service or repair is required. Incorrect reassembly may result in a risk of electric shock or fire.
- **Unplug charger from outlet before attempting any maintenance or cleaning to reduce the risk of electric shock.**
- **Disconnect charger from the power supply when not in use.** This will reduce the risk of electric shock or damage to the charger if metal items should fall into the opening. It also will help prevent damage to the charger during a power surge.
- **Risk of electric shock.** Do not touch uninsulated portion of output connector or uninsulated battery terminal.
- **Save these instructions.** Refer to them frequently and use them to instruct others who may use this tool. If you loan someone this tool, loan them these instructions also to prevent misuse of the product and possible injury.

IMPORTANT SAFETY INSTRUCTIONS







1. SAVE THESE INSTRUCTIONS

This manual contains important safety and operating instructions for battery charger P110 (1423701, 140237021 or 140237023).

2. **Before using battery charger**, read all instructions and cautionary markings on battery charger, battery, and product using battery.
3. **CAUTION:** To reduce the risk of injury, charge only nickel-cadmium rechargeable batteries. Other types of batteries may burst, causing personal injury or damage.




SYMBOLS

Some of the following symbols may be used on this tool. Please study them and learn their meaning. Proper interpretation of these symbols will allow you to operate the tool better and safer.

SYMBOL	NAME	DESIGNATION/EXPLANATION
V	Volts	Voltage
A	Amperes	Current
Hz	Hertz	Frequency (cycles per second)
W	Watt	Power
min	Minutes	Time
~	Alternating Current	Type of current
≡	Direct Current	Type or a characteristic of current
n_0	No Load Speed	Rotational speed, at no load
	Class II Construction	Double-insulated construction
.../min	Per Minute	Revolutions, strokes, surface speed, orbits etc., per minute
	Wet Conditions Alert	Do not expose to rain or use in damp locations.
	Read The Operator's Manual	To reduce the risk of injury, user must read and understand operator's manual before using this product.
	Eye Protection	Always wear safety goggles or safety glasses with side shields and, as necessary, a full face shield when operating this product.
	Safety Alert	Precautions that involve your safety.
	Hot Surface	To reduce the risk of injury or damage, avoid contact with any hot surface.

SYMBOLS

The following signal words and meanings are intended to explain the levels of risk associated with this product.

SYMBOL	SIGNAL	MEANING
	DANGER:	Indicates an imminently hazardous situation, which, if not avoided, will result in death or serious injury.
	WARNING:	Indicates a potentially hazardous situation, which, if not avoided, could result in death or serious injury.
	CAUTION:	Indicates a potentially hazardous situation, which, if not avoided, may result in minor or moderate injury.
	CAUTION:	(Without Safety Alert Symbol) Indicates a situation that may result in property damage.

SERVICE

Servicing requires extreme care and knowledge and should be performed only by a qualified service technician. For service we suggest you return the product to the nearest **AUTHORIZED SERVICE CENTER** for repair. When servicing, use only identical replacement parts.



WARNING:

To avoid serious personal injury, do not attempt to use this product until you read thoroughly and understand completely the operator's manual. If you do not understand the warnings and instructions in the operator's manual, do not use this product. Call Ryobi customer service for assistance.



WARNING:



The operation of any power tool can result in foreign objects being thrown into your eyes, which can result in severe eye damage. Before beginning power tool operation, always wear safety goggles or safety glasses with side shields and, when needed, a full face shield. We recommend Wide Vision Safety Mask for use over eyeglasses or standard safety glasses with side shields. Always use eye protection which is marked to comply with ANSI Z87.1.

SAVE THESE INSTRUCTIONS

FEATURES

PRODUCT SPECIFICATIONS

Motor.....	18 Volt DC	Hose Diameter.....	1 1/4 in.
Collection Capacity	2 Gallon	Charger Input	120 V, 60 Hz, AC only
Hose Length	5 ft.	Charge Rate	1 hour

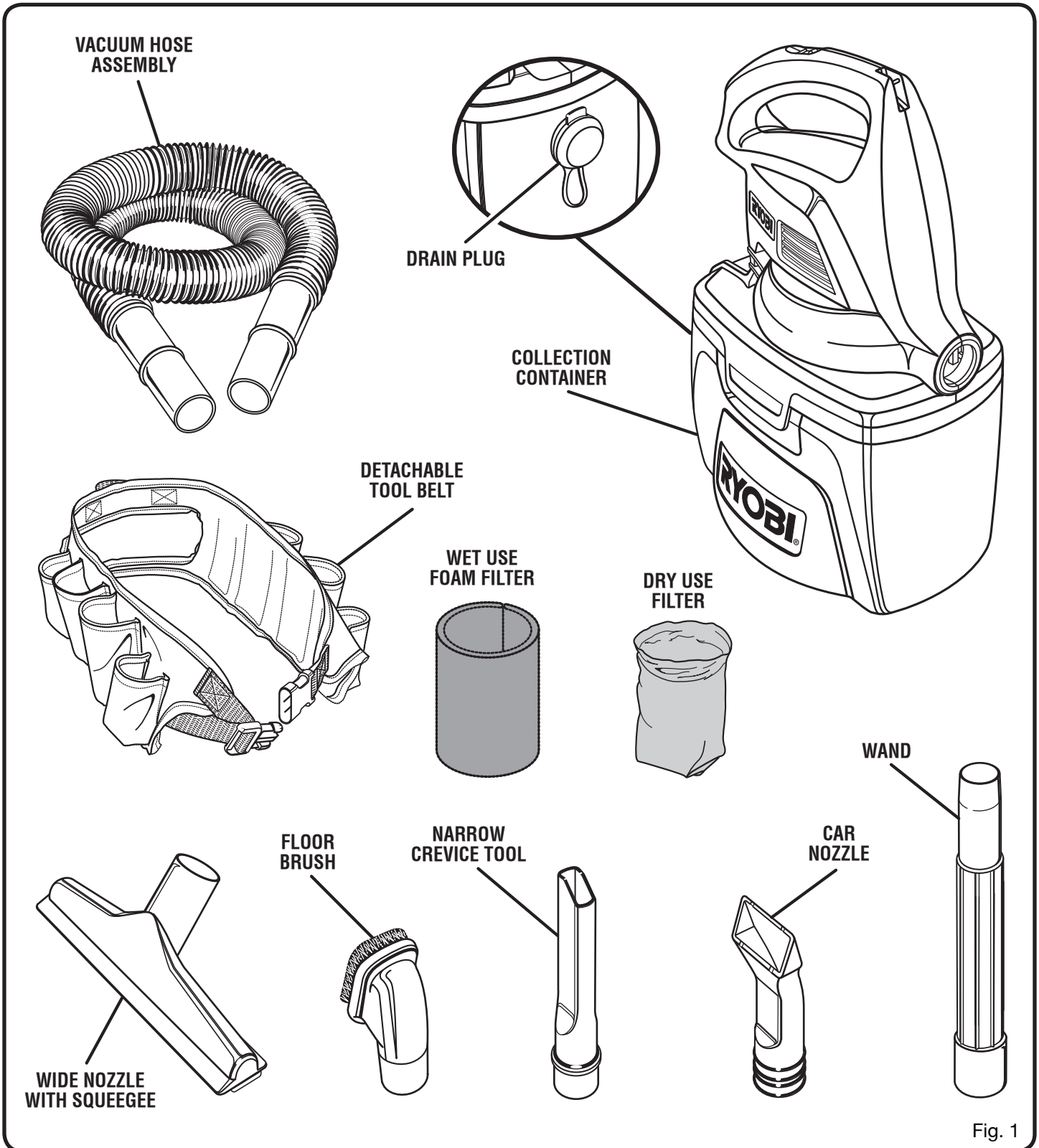


Fig. 1

FEATURES

KNOW YOUR CANISTER VAC

See Figure 1.

The safe use of this product requires an understanding of the information on the tool and in this operator's manual as well as a knowledge of the project you are attempting. Before use of this product, familiarize yourself with all operating features and safety rules.

ATTACHMENTS

The vacuum attachments can perform a variety of tasks and are easily stored in the tool belt.

BLOWER FEATURE

The canister vac can also serve as a blower.

DETACHABLE TOOL BELT

This detachable tool belt stores the attachments when not in use and can be secured in a variety of places for ease of use.

DRAIN PLUG

The drain plug on the back of the canister vac is used to quickly drain liquids from the collection container.

LARGE CAPACITY COLLECTION CONTAINER

The collection container can hold up to 2 gallons of waste.

VACUUM HOSE ASSEMBLY

The detachable hose is flexible and can use a variety of attachments.

WET/DRY CAPABILITY

The canister vac can be used to vacuum either wet or dry waste.

ASSEMBLY

UNPACKING

This product has been shipped completely assembled.

- Carefully remove the tool and any accessories from the box. Make sure that all items listed in the packing list are included.
- Inspect the tool carefully to make sure no breakage or damage occurred during shipping.
- Do not discard the packing material until you have carefully inspected and satisfactorily operated the tool.
- If any parts are damaged or missing, please call 1-800-525-2579 for assistance.

PACKING LIST

Canister Vac
Vacuum Hose Assembly
Wide Nozzle with Squeegee
Floor Brush
Narrow Crevice Tool
Car Nozzle
Wand
Detachable Tool Belt
Dry Use Filter (2)
Wet Use Foam Filter
Operator's Manual

WARNING:

If any parts are damaged or missing do not operate this tool until the parts are replaced. Failure to heed this warning could result in serious personal injury.

WARNING:

Do not attempt to modify this tool or create accessories not recommended for use with this tool. Any such alteration or modification is misuse and could result in a hazardous condition leading to possible serious personal injury.

WARNING:

To prevent accidental starting that could cause serious personal injury, always remove the battery pack from the tool when assembling parts.

OPERATION

WARNING:

Do not allow familiarity with tools to make you careless. Remember that a careless fraction of a second is sufficient to inflict serious injury.

WARNING:

Always wear safety goggles or safety glasses with side shields when operating tools. Failure to do so could result in objects being thrown into your eyes, resulting in possible serious injury.

WARNING:

Do not use any attachments or accessories not recommended by the manufacturer of this tool. The use of attachments or accessories not recommended can result in serious personal injury.

APPLICATIONS

You may use this tool for the purposes listed below:

Vacuum Functions:

- Light-duty vacuuming of wet or dry surfaces

Blower Functions:

- Clearing hard surfaces such as driveways and walkways
- Keeping decks and driveways free from leaves and pine needles

CAUTION:

If at any point during the charging process none of the LEDs are lit, remove the battery pack from the charger to avoid damaging the product. DO NOT insert another battery. Return the charger and battery to your nearest service center for service or replacement.

LED FUNCTIONS OF CHARGER

LED WILL BE ON TO INDICATE STATUS OF CHARGER AND BATTERY PACK:

- Red LED on = Fast charging mode.
- Green LED on = Fully charged and in maintenance charge mode.
- Green LED on = When battery pack is inserted into charger, indicates hot battery pack or that battery pack is out of normal temperature range.
- Yellow and Green LEDs on = Deeply discharged or defective battery pack.
- No LED on = Defective charger or battery pack.

CHARGING THE BATTERY PACK

Battery packs for this tool are shipped in a low charge condition to prevent possible problems. Therefore, you should charge it until the green LED on the front of the charger comes on.

NOTE: Batteries will not reach full charge the first time they are charged. Allow several cycles (operation followed by recharging) for them to become fully charged.

CHARGING A COOL BATTERY PACK

If battery pack is within normal temperature range, the red LED on charger will come on.

NOTE: If the charger does not charge the battery pack under normal circumstances, return both the battery pack and charger to your nearest Authorized Service Center for electrical check.

- Charge the battery pack only with the charger provided.
- Make sure the power supply is normal household voltage, **120 volts, 60 Hz, AC only**.
- Connect the charger to the power supply.
- Place the battery pack in the charger aligning raised rib on the battery pack with the groove in the charger. *See Figure 2.*
- Press down on the battery pack to be sure contacts on the battery pack engage properly with contacts in the charger.
- Normally the red LED on charger will come on. This indicates the charger is in fast charging mode.
- Red LED should remain on for approximately 1 hour then the green LED will come on. Green LED on indicates battery pack is fully charged and charger is in maintenance charge mode.

NOTE: The green LED will remain on until the battery pack is removed from the charger or charger is disconnected from the power supply.

- If both yellow and green LEDs come on, this indicates a deeply discharged or defective battery pack. Allow the battery pack to remain in the charger for 15 to 30 minutes. When the battery pack reaches normal voltage range, the red LED should come on. If the red LED does not come on after 30 minutes, this may indicate a defective battery pack that should be replaced.

OPERATION

- After normal usage, a minimum of 1 hour of charging time is required to fully recharge battery pack.
- The battery pack will become slightly warm to the touch while charging. This is normal and does not indicate a problem.
- Do not place the charger and battery pack in an area of extreme heat or cold. They will work best at normal room temperature.

NOTE: The charger and battery pack should be placed in a location where the temperature is more than 50°F but less than 100°F.

- When batteries become fully charged, unplug the charger from power supply and remove the battery pack.

CHARGING A HOT BATTERY PACK

When using the tool continuously, the batteries in the battery pack will become hot. You should let a hot battery pack cool down for approximately 30 minutes before attempting to recharge. When the battery pack becomes discharged and is hot, this will cause the green LED to come on instead of the red LED. After 30 minutes, reinsert the battery pack in the charger. If the green LED continues to remain on, return battery pack to your nearest Authorized Service Center for checking or replacing.

NOTE: This situation only occurs when continuous use of the tool causes the batteries to become hot. It does not occur under normal circumstances. Refer to **CHARGING A COOL BATTERY PACK** for normal recharging of batteries. If the charger does not charge your battery pack under normal circumstances, return both the battery pack and charger to your nearest Authorized Service Center for electrical check.

STARTING/STOPPING THE CANISTER VAC

See Figures 4.

- To start the canister vac, place the power switch in the **ON (I)** position.
- To stop the canister vac, place the power switch in the **OFF (O)** position.

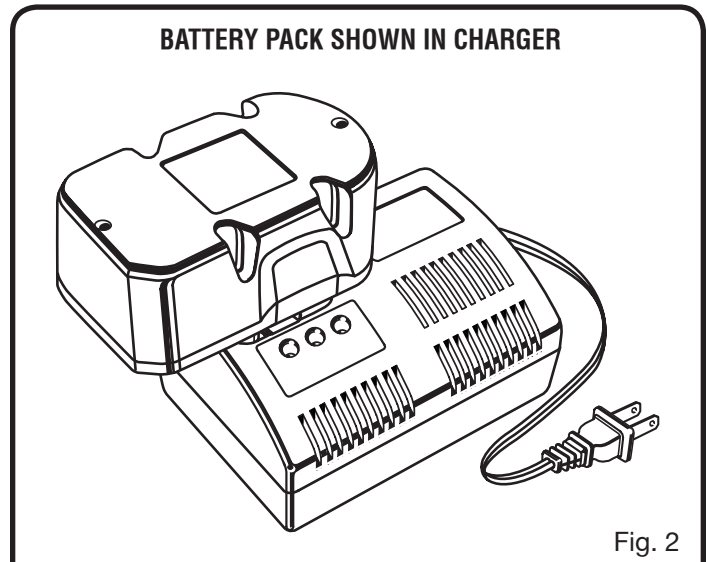


Fig. 2

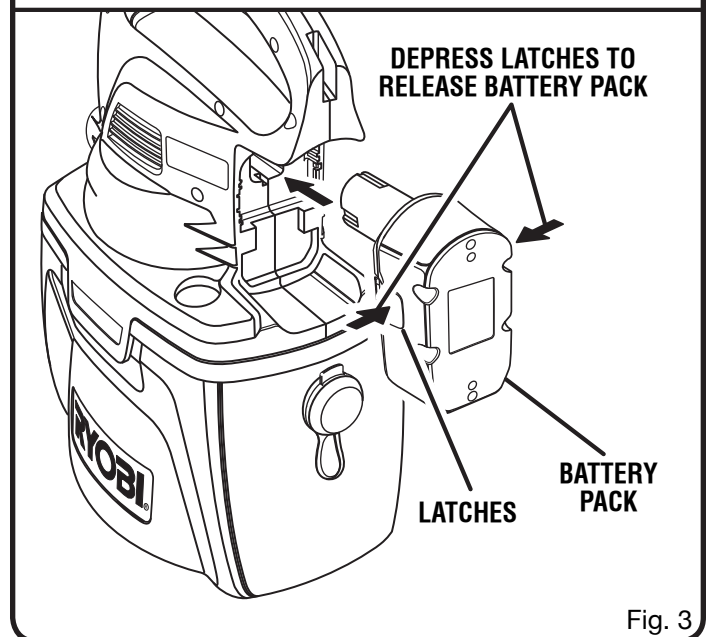


Fig. 3

OPERATION

TO INSTALL BATTERY PACK

See Figures 3 - 4.

- Place the power switch in the **OFF (O)** position.
- Place the battery pack in the canister vac.
- Make sure the latches on each side of the battery pack snap in place and that battery pack is secured in the canister vac before beginning operation.

TO REMOVE BATTERY PACK

See Figures 3 - 4.

- Place the power switch in the **OFF (O)** position.
- Locate latches on side of battery pack and depress both sides to release battery pack.
- Remove battery pack from the canister vac.

WARNING:

Battery tools are always in operating condition. Therefore, switch should always be in the **OFF (O)** position when not in use or carrying at your side.

HOSE ATTACHMENT

See Figure 5.

- To attach the hose, push tapered end of hose into opening of the vacuum port.
- To remove the hose, hold the tapered end and pull hose from vacuum port.

USING THE ATTACHMENTS

See Figure 6.

Vacuuming can be performed with either the hose or the vacuum attachments.

- Turn off the canister vac.
- Insert the attachment into the front end of the hose, making sure the attachment is firmly in place.
- To remove, hold the attachment and pull from hose.

The vacuum attachments are designed for the following applications:

- The wide nozzle with squeegee is used to vacuum large, flat, dry or wet surfaces.
- The floor brush is used to vacuum carpeted surfaces.
- The wand is used as a handle in vac mode and as a blower tube in blower mode. The wand can also function as an extension to any of the canister vac attachments.
- The car nozzle is used for car interiors or for vacuuming small surface areas. The car nozzle can also be used with the wand while the canister vac is in blower mode for widened air flow.
- The narrow crevice tool is used to vacuum narrow, hard to reach places.

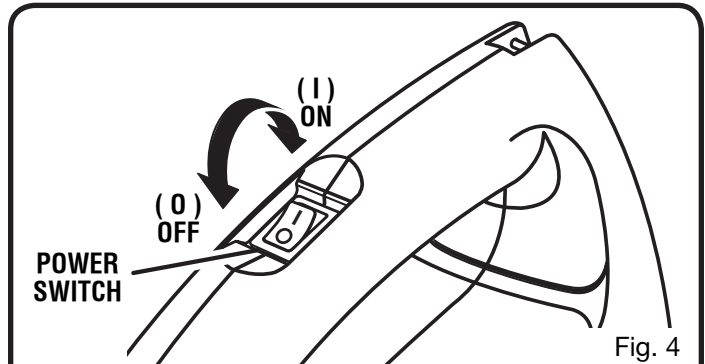


Fig. 4

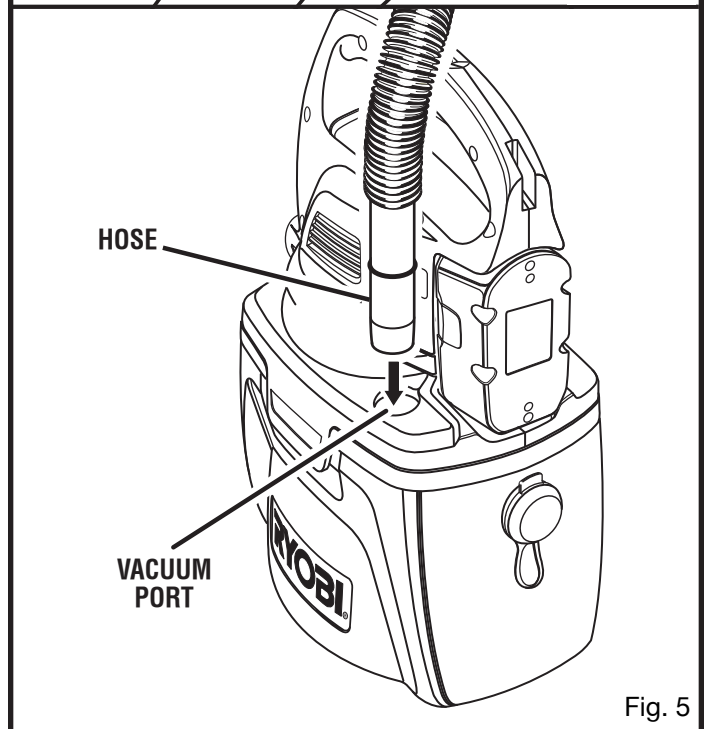


Fig. 5

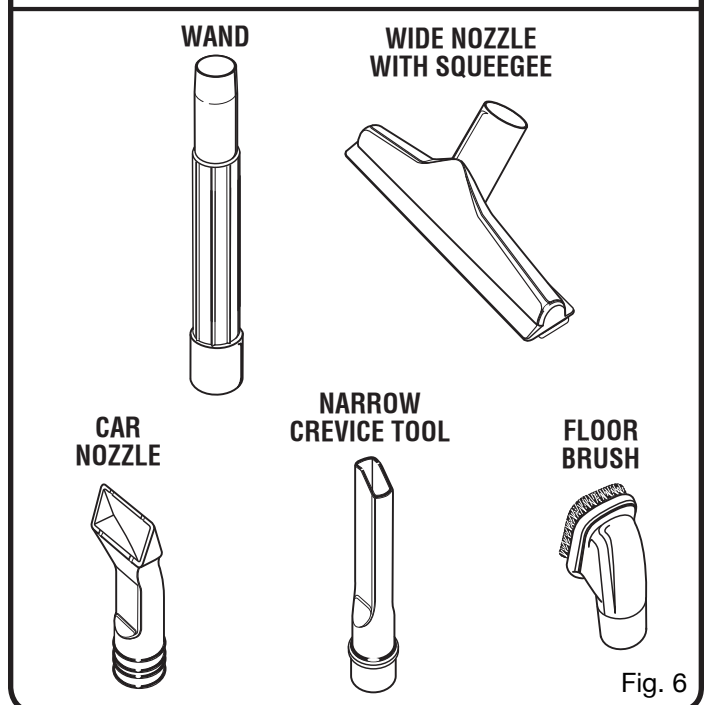


Fig. 6

OPERATION

DETACHABLE TOOL BELT

See Figure 7.

When not in use, the vacuum attachments provided with the canister vac can be placed in the storage areas located in the tool belt. The belt can also be attached and secured in a variety of places for ease of use.

DRY VACUUMING

See Figure 7.

Vacuum only items small enough to fit through the hose or the attachment. When vacuuming, make sure that the dry use filter stays in place. The performance of the canister vac will decrease with a full collection container. Upon emptying the collection container, check to see if the dry use filter needs replacing.

NOTE: The canister vac is shipped ready for dry use vacuuming. To equip the canister vac for wet use, see **Maintenance**.

WET VACUUMING

The canister vac can be used to vacuum small amounts of liquid. However, use caution when vacuuming larger amounts of liquid, as this could cause possible problems. When wet or dry vacuuming, make sure the drain plug is firmly in place.

When wet vacuuming, be aware that your canister vac is equipped with a safety ball inside the filter unit housing. This safety ball is specially designed to work with wet vacuuming applications to shut the suction off when the collection container reaches full capacity. When the suction shuts off due to a full collection container, turn the canister vac **OFF** and empty the collection container as shown in **Maintenance**.

NOTE: When wet vacuuming, it is necessary to change the filter from the dry use filter to the included wet use foam filter. To change the filters, see **Maintenance**.

WARNING:

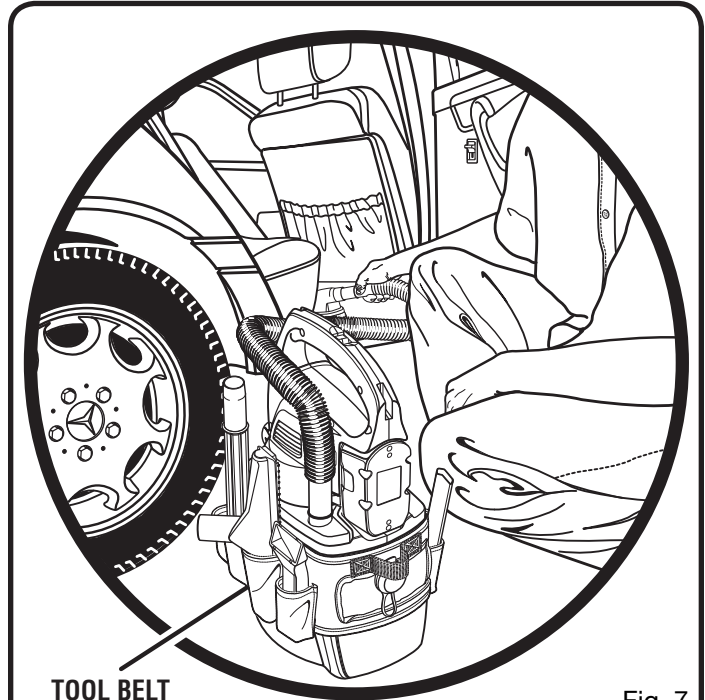
When vacuuming liquid, make sure the canister vac does not get submerged or doused in liquid, which could cause shock, vacuum failure, or personal injury.

USING THE CANISTER VAC AS A BLOWER

See Figure 8.

At all times, the canister vac blows air through the blower port as part of the exhaust system. However, you can use the canister vac as a blower by attaching the wand to the blower port.

- Remove the battery pack from the canister vac.
- Remove the hose from the tank if attached.
- Remove the motor unit from the collection container assembly by lifting the latches simultaneously.
- Remove the wand from the hose if attached.
- To attach the wand, push larger end of wand into the opening of the blower port. For wider air flow, attach the car nozzle to the end of the wand.



TOOL BELT

Fig. 7

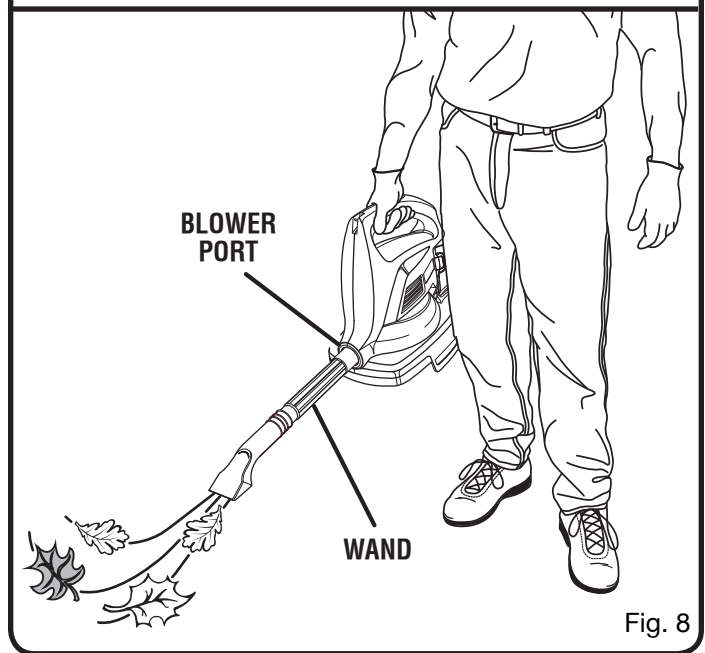


Fig. 8

- To remove the wand, pull wand from opening in blower port.

To keep from scattering debris, blow around the outer edges of a debris pile. Never blow directly into the center of a pile.

Use rakes and brooms to loosen debris before blowing. In dusty conditions, slightly dampen surfaces when water is available.

Watch out for children, pets, open windows, or freshly washed cars, and blow debris safely away.

After using blowers or other equipment, **CLEAN UP!** Dispose of debris properly.

MAINTENANCE

WARNING:

When servicing, use only identical replacement parts. Use of any other parts may create a hazard or cause product damage.

WARNING:

Always wear safety goggles or safety glasses with side shields during power tool operation or when blowing dust. If operation is dusty, also wear a dust mask.

WARNING:

To avoid serious personal injury, always remove the battery pack from the tool when cleaning or performing any maintenance.

GENERAL MAINTENANCE

Avoid using solvents when cleaning plastic parts. Most plastics are susceptible to damage from various types of commercial solvents and may be damaged by their use. Use clean cloths to remove dirt, dust, oil, grease, etc.

WARNING:

Do not at any time let brake fluids, gasoline, petroleum-based products, penetrating oils, etc., come in contact with plastic parts. Chemicals can damage, weaken or destroy plastic which may result in serious personal injury.

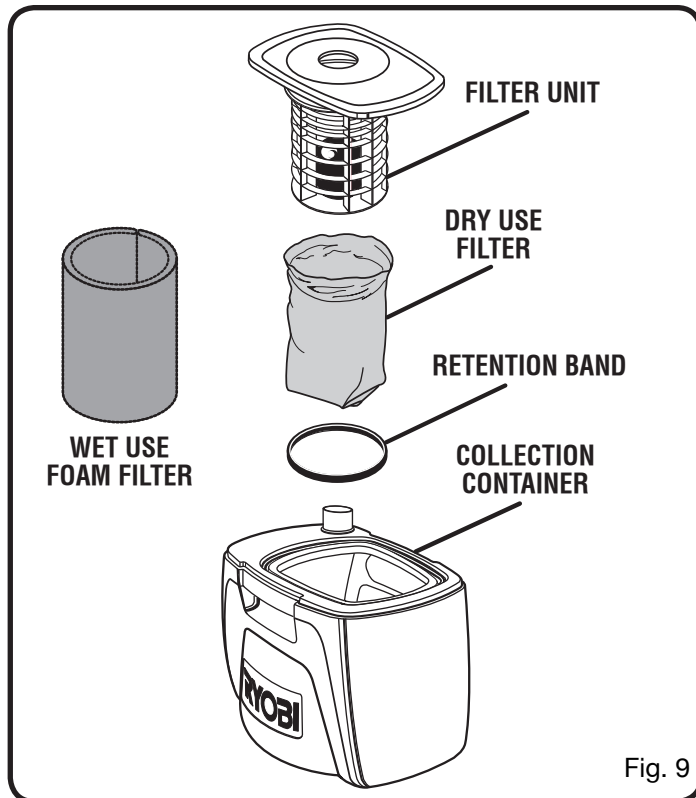
Only the parts shown on the parts list are intended to be repaired or replaced by the customer. All other parts should be replaced at an Authorized Service Center.

REMOVING DRY PICK-UP

See Figure 9.

The collection container should be checked, emptied, and cleaned periodically to obtain maximum efficiency.

- Remove the battery pack from the canister vac.
- Lift the tabs on the side of the canister vac. Pull the collection container down and off to separate it from the motor housing.
- Remove filter unit from tank assembly.
- Empty the collection container; wash out if necessary. Before reattaching to the canister vac, make sure all pieces are completely dry.
- To reattach, snap the collection container into the slots on the motor housing.



REPLACING AND CLEANING THE FILTER

See Figure 9.

- Remove the battery pack from the canister vac.
- Lift the tabs on the side of the canister vac. Pull the collection container down and off to separate it from the motor housing.
- Remove the filter unit.
- Remove the filter by removing the retention band and pulling filter off of the filter unit.
- Shake or lightly brush any dust or dirt off the filter.
- Replace dry filter or switch to wet filter if needed.

To clean:

- To replace, slide new filter over filter unit and reattach retention band.
- Empty the filter, filter unit, and collection container; wash if necessary. Before reattaching to the canister vac, make sure all pieces are completely dry.

SWITCHING FILTERS

See Figure 9.

- Remove the battery pack from the canister vac.
- Lift the tabs on the side of the canister vac. Pull the collection container down and off to separate it from the motor housing.
- Remove the filter and filter unit.
- Remove the filter by removing the retention band and pulling filter off of the filter unit.
- Replace wet or dry filter with appropriate one by sliding new filter over filter unit.
- Reattach retention band.

MAINTENANCE

REMOVING LIQUID WASTE

See Figure 10.

Removing pick-up can be completed in two ways.

To remove pick-up using the drain plug:

- Remove the battery pack from the canister vac.
- Remove the drain plug.
- Tip canister vac to drain liquid.
- Replace the drain plug.

To remove liquid pick-up by removing the collection container:

- Lift the tabs on the side of the canister vac. Pull the collection container down and off to separate it from the motor housing.
- Empty the collection container; wash if necessary. Before reattaching to the canister vac, make sure all pieces are completely dry.

CAUTION:

Do not allow liquid pick up to remain in the collection container for extended periods of time. Moisture can develop in the motor compartment and shorten the life of the motor.

CAUTION:

Do not turn unit upside down, as liquid may enter the motor unit.

REPLACEMENT FUSE

See Figure 11.

If the canister vac blows its fuse, you will need to replace it. Look for replacement fuses where you purchased this product.

- Remove the battery pack from the canister vac to access fuse housing.
- Remove the current fuse and discard. Use a pair of fusepullers if necessary.
- Use 30 amp JAT blade type automotive fuse to replace the blown fuse.

NOTE: Only use 30 amp JAT blade type automotive fuses for replacement. If second fuse blows, return to authorized service center for repair.

STORAGE (1 MONTH OR LONGER)

- Clean all foreign material from the canister vac.
- Empty the collection container before storage.
- Store indoors in a place that is inaccessible to children. Keep away from corrosive agents such as garden chemicals and de-icing salts.

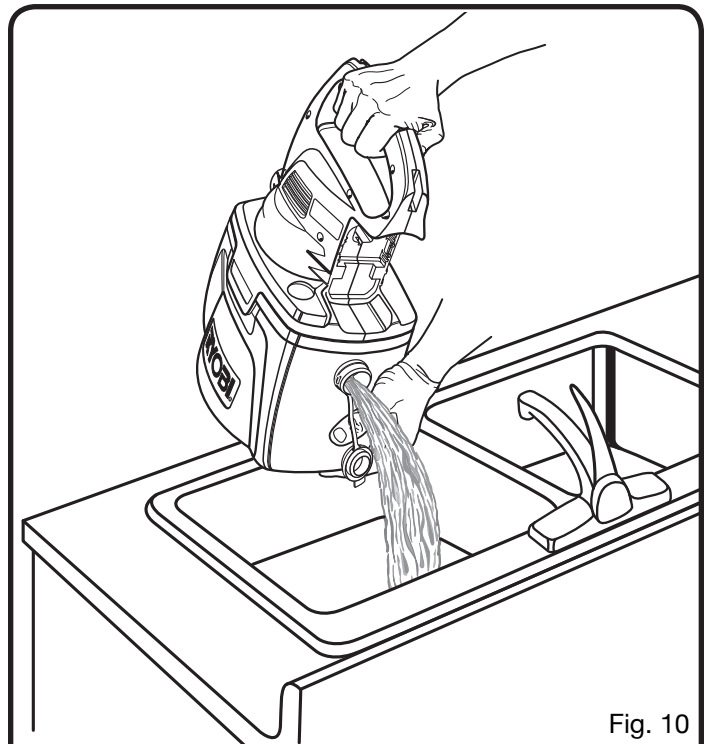


Fig. 10

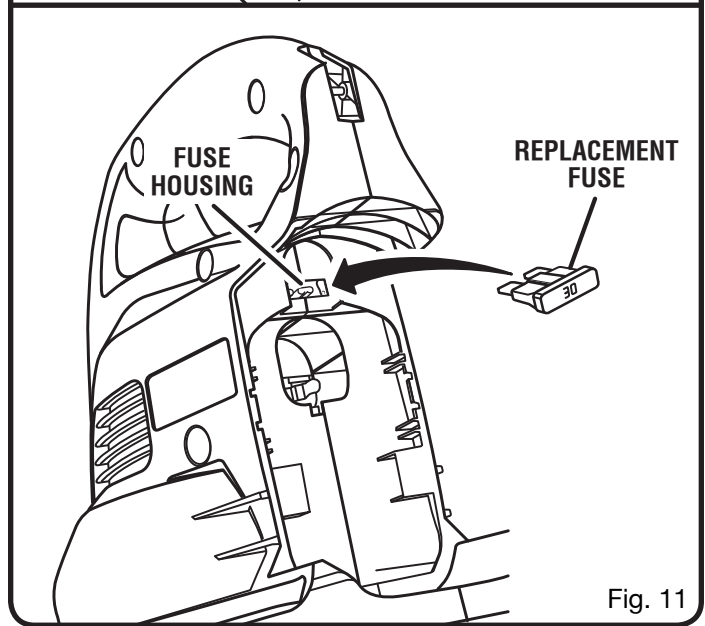


Fig. 11

MAINTENANCE

BATTERIES

The battery pack for this product is equipped with nickel-cadmium rechargeable batteries. Length of service from each charging will depend on the type of work you are doing.

The batteries in this product have been designed to provide maximum trouble-free life. However, like all batteries, they will eventually wear out. **Do not** disassemble battery pack and attempt to replace the batteries. Handling of these batteries, especially when wearing rings and jewelry, could result in a serious burn.

To obtain the longest possible battery life, we suggest the following:

- Remove the battery pack from the charger once it is fully charged and ready for use.

For battery storage longer than 30 days:

- Store the battery pack where the temperature is below 80°F.
- Store battery packs in a “discharged” condition.

BATTERY PACK REMOVAL AND PREPARATION FOR RECYCLING



To preserve natural resources, please recycle or dispose of batteries properly.

This product contains nickel-cadmium batteries. Local, state or federal laws may prohibit disposal of nickel-cadmium batteries in ordinary trash.

Consult your local waste authority for information regarding available recycling and/or disposal options.

WARNING:

Upon removal, cover the battery pack's terminals with heavy-duty adhesive tape. Do not attempt to destroy or disassemble battery pack or remove any of its components. Nickel-cadmium batteries must be recycled or disposed of properly. Also, never touch both terminals with metal objects and/or body parts as short circuit may result. Keep away from children. Failure to comply with these warnings could result in fire and/or serious injury.



OPERATOR'S MANUAL

CANISTER VAC

P3200

⚠ WARNING:

Some dust created by power sanding, sawing, grinding, drilling, and other construction activities contains chemicals known to cause cancer, birth defects or other reproductive harm. Some examples of these chemicals are:

- lead from lead-based paints,
- crystalline silica from bricks and cement and other masonry products, and
- arsenic and chromium from chemically-treated lumber.

Your risk from these exposures varies, depending on how often you do this type of work. To reduce your exposure to these chemicals: work in a well ventilated area, and work with approved safety equipment, such as those dust masks that are specially designed to filter out microscopic particles.

• SERVICE

Now that you have purchased your tool, should a need ever exist for repair parts or service, simply contact your nearest Authorized Service Center. Be sure to provide all pertinent facts when you call or visit. Please call 1-800-525-2579 for your nearest Authorized Service Center. You can also check our web site at www.ryobitools.com for a complete list of Authorized Service Centers.

• MODEL NO. AND SERIAL NO.

The model number of this tool will be found on a plate attached to the motor housing. Please record the model number and serial number in the space provided below.

• HOW TO ORDER REPAIR PARTS

When ordering repair parts, always give the following information:

- MODEL NUMBER _____ P3200 _____
- SERIAL NUMBER _____

Ryobi® is a registered trademark of Ryobi Limited used under license.

ONE WORLD TECHNOLOGIES, INC.

1428 Pearman Dairy Road, Anderson, SC 29625

Phone 1-800-525-2579

www.ryobitools.com