

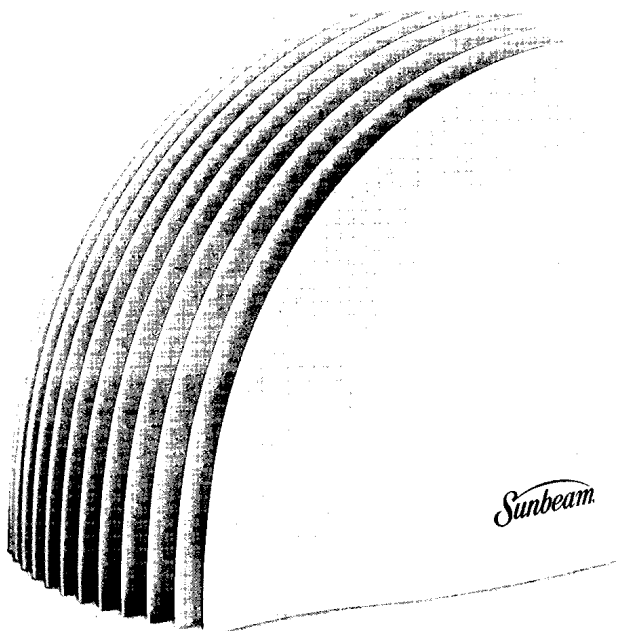
HEALTH *at* HOME

Sunbeam

AIR CLEANER AND AIR FRESHENER

Featuring *Glade*® *Spice Fresh*® Air Fresheners

Model 2589



Important notes

Please read this manual carefully before using this device.

Sunbeam.

AIR CLEANER AND AIR FRESHENER
 FEATURING *Glade* *Spice Fresh* AIR FRESHENERS

READ AND SAVE THESE INSTRUCTIONS
 IMPORTANT SAFEGUARDS

WHEN USING ELECTRICAL APPLIANCES, BASIC SAFETY PRECAUTIONS SHOULD ALWAYS BE FOLLOWED, INCLUDING THE FOLLOWING:

1. READ ENTIRE INSTRUCTION BOOK BEFORE USING.
2. TO AVOID SHOCK HAZARD, PLUG THE AIR CLEANER DIRECTLY INTO A 120V AC ELECTRICAL OUTLET.

CAUTION: TO PREVENT ELECTRIC SHOCK, MATCH THE WIDE BLADE OF THE POLARIZED PLUG TO THE WIDE SLOT IN THE OUTLET, FULLY INSERT PLUG. IF PLUG DOES NOT FIT, CONTACT A QUALIFIED ELECTRICIAN TO INSTALL PROPER OUTLET. DO NOT CHANGE PLUG IN ANY WAY.

3. KEEP THE CORD OUT OF HEAVY TRAFFIC AREAS. TO AVOID FIRE HAZARD, NEVER PUT THE CORD UNDER RUGS, NEAR HEAT REGISTERS, RADIATORS, STOVES OR HEATERS.
4. TO PROTECT AGAINST ELECTRICAL HAZARDS, DO NOT IMMERSE IN WATER OR OTHER LIQUIDS. DO NOT USE WHILE BATHING.
5. CLOSE SUPERVISION IS NECESSARY WHEN ANY APPLIANCE IS USED BY OR NEAR CHILDREN, OR BY INVALIDS.
6. ALWAYS UNPLUG THE AIR CLEANER BEFORE MOVING IT, OPENING THE GRILL, CHANGING FILTERS, BEFORE CLEANING, OR WHENEVER THE AIR CLEANER IS NOT

IN USE.

7. DO NOT PUT FOREIGN OBJECTS INSIDE THE AIR CLEANER.
8. DO NOT OPERATE ANY APPLIANCE WITH A DAMAGED CORD OR PLUG, IF FAN FAILS TO ROTATE, OR AFTER THE APPLIANCE MALFUNCTIONS OR HAS BEEN DROPPED OR DAMAGED IN ANY MANNER. RETURN APPLIANCE TO MANUFACTURER FOR EXAMINATION, ELECTRICAL OR MECHANICAL ADJUSTMENT OR REPAIR. (SEE WARRANTY FOR INFORMATION).
9. USE APPLIANCE ONLY FOR INTENDED HOUSEHOLD USE AS DESCRIBED IN THIS MANUAL.
10. DO NOT USE OUTDOORS.
11. NEVER BLOCK THE AIR OPENING OR PLACE ON A SOFT SURFACE SUCH AS A BED, PLUSH CARPET OR SOFAS WHERE APPLIANCE OPENINGS MAY BE BLOCKED.
12. KEEP CORD AWAY FROM HEATED SURFACES.
13. DO NOT IMMERSE IN WATER. IT WILL CAUSE PERMANENT DAMAGE.

PLEASE SAVE THESE INSTRUCTIONS

OPERATING INSTRUCTIONS

1. Remove filter cartridge as shown. (Fig. 1)
2. Remove fragrance cartridge from box.
3. Slowly remove foil label from the fragrance cartridge using peel tab. DO NOT REMOVE OR PUNCTURE CLEAR

FILM PROTECTING FRAGRANCE CONCENTRATE. THIS FILM CONTROLS THE RELEASE OF CONCENTRATED FRESHENING INGREDIENTS.

4. Place fragrance cartridge into the fragrance chamber inside the filter cartridge insert. (See Fig. 2)

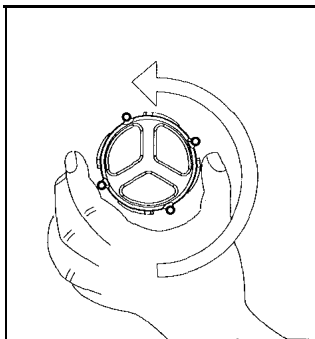


FIGURE 1

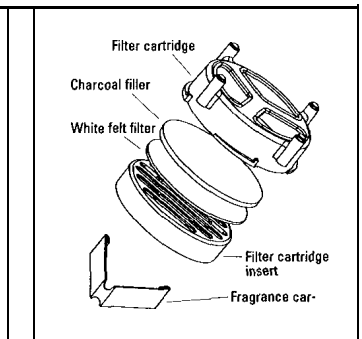


FIGURE 2

Filter Cartridge Assembly

Contact with concentrate may cause eye irritation. If eye contact occurs, rinse eyes with water for 15 minutes. If irritation persists, seek medical attention. **Keep out of children's reach.** Do not place open cartridges on finished surfaces (vinyl, fabric, wood, etc.) If unopened cartridge is stored in high temperatures, first cool to room temperature before opening.

The air is pulled and cleaned through the filter on the bottom of the unit. The clean air then passes through the fragrance chamber and exits at the front and top of the unit, replacing your dirty air with clean, fresh scented air. (Check your local retailer for other fine GLADE SPIN-FRESH fragrances.)

When fragrance is no longer apparent, check the fragrance cartridge to see if it has dried or cracked. This signals replacement time for the fragrance cartridge. Simply go to your local retailer and purchase another GLADE

SPIN-FRESH® fragrance cartridge and place into the fragrance chamber. (See operation instruction.)

CLEANING/MAINTENANCE INSTRUCTIONS

1. Always unplug the unit before cleaning.
2. Outside surfaces can be cleaned with a soft cloth.
3. Front grill surfaces can be cleaned with a soft cloth or a cotton swab.
4. **00 not submerge in water, or allow water to come in contact with the inside surface.**

FILTER REPLACEMENT

1. Always unplug unit before removing the filter.
2. Remove filter cartridge (See Fig. 1)
3. Check for build up on both filters. If there is a noticeable build up or filters feel hard and inflexible then it is time to replace them. These filters should last up to 3-6 months depending on usage.

Check your local retailer for replacement filters or for more information call 1-800-435-1250

1 Year Limited Warranty

Sunbeam Products, Inc. (Sunbeam) warrants that for a period of one year from the date of purchase, this product will be free from defects in material and workmanship. Sunbeam, at its option, will repair or replace this product or any component of the product found to be defective during the warranty period. Replacement will be made with a new or remanufactured product or component. If the product is no longer available, replacement may be made with a similar product of equal or greater value. This is your exclusive warranty.

This warranty is valid for the original retail purchaser from the date of initial retail purchase and is not transferable. Keep the original sales receipt. Proof of purchase is required to obtain warranty performance. Sunbeam dealers, service centers, or retail stores selling Sunbeam products do not have the right to alter, modify or any way change the terms and conditions of this warranty.

This warranty does not cover normal wear of parts or damage resulting from any of the following: negligent use or misuse of the product, use on improper voltage or current, use contrary to the operating instructions, disassembly, repair or alteration by anyone other than Sunbeam or an authorized service center. Further, the warranty does not cover Acts of God, such as fire, flood, hurricanes and tornadoes.

Sunbeam shall not be liable for any incidental or consequential damages caused by the breach of any express or implied warranty. Except to the extent prohibited by applicable law, any implied warranty of merchantability or fitness for a particular purpose is limited in duration to the duration of the above warranty. Some states, provinces or jurisdictions do not allow the exclusion or limitation of incidental or consequential damages or limitations on how long an implied warranty lasts, so the above limitations or exclusion may not apply to you. This warranty gives you specific legal rights, and you may also have other rights that vary from state to state or province to province.

How to Obtain Warranty Service

Take the product to an authorized Sunbeam service center. You can find the nearest authorized Sunbeam service center by calling 1-800-435-1250. If a service center is not conveniently located, attach a tag to the product that includes your name, address, daytime telephone number and description of the problem. Include a copy of the original sales receipt. Carefully package the product and send either by UPS or Parcel Post with shipping and insurance prepaid to:

For products purchased in the United States:

Sunbeam Products, Inc.
117 Central Industrial Row
Purvis, MS 39475

DO NOT RETURN THIS PRODUCT TO THE PLACE OF PURCHASE.

If you have any questions regarding this warranty please call 1-800-435-1250 or write to Sunbeam Products, Inc. 95 W. L. Runnels Industrial Drive, Dock M-5, Hattiesburg, MS 39401.

© 1999 Sunbeam Products, Inc., or its affiliated companies, all rights reserved. SUNBEAM® and HEALTH AT HOME® are registered trademarks of Sunbeam Corporation or its affiliated companies. Distributed by Sunbeam Products, Inc., Boca Raton, Florida 33431. Imported by Sunbeam Products, Inc. The product you buy may differ slightly from the one shown on this carton due to continuing product development.

GLADE and **SPIN-FRESH®** are trademarks of S.C. Johnson & Son, Inc. Part # 100048-002-000

Made in China