



INSTALLATION INSTRUCTIONS FOR PART 99-9100

APPLICATIONS

AUDI

A4/A6/A8 1996-1999

TT 2001-2006

99-9100

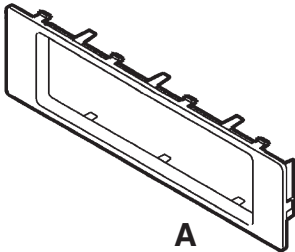


KIT FEATURES

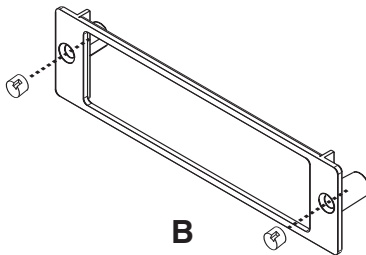
- DIN Mount Radio Provision

KIT COMPONENTS

- A) Trim Plate "A" • B) Trim Plate "B"



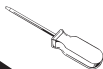
A



B

TOOLS REQUIRED:

- Small Flat Blade Screwdriver
- Panel Removal Tool
- 86-9001-Head Unit Removal Keys



1-800-221-0932



www.metraonline.com

© COPYRIGHT 2004-2007 METRA ELECTRONICS CORPORATION



TABLE OF CONTENTS

Dash Disassembly

- A4 1996-1999 1
- A6 1996-1999 1
- A8 1996-1999 1
- TT 2001-2006. 1

Kit Assembly

- DIN Mount Radio Provision 2

- Wiring** 3

***Note:**

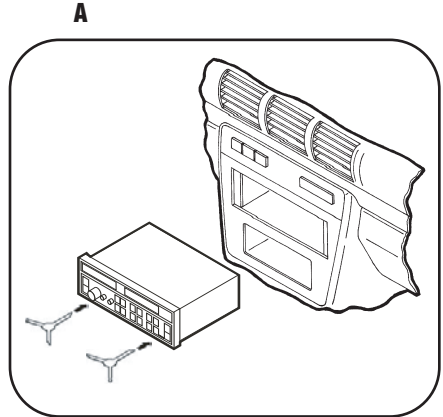
Refer also to the instructions included with the aftermarket radio.



AUDI A4/A6/A8 1996-1999 TT 2001-2996

- 1** Disconnect the negative battery terminal to prevent an accidental short circuit.
- 2** Insert the long ends of Metra's 86-9001 into the slots in the factory head unit and pull the unit out. Disconnect the wiring. (**Figure A**)

Continue to kit assembly.

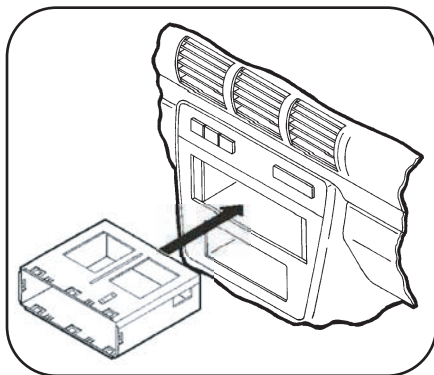


DIN MOUNT RADIO PROVISION WITH POCKET

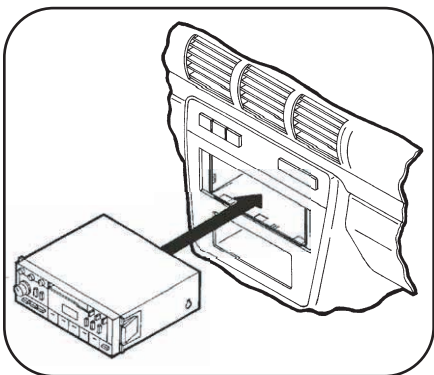
**Note: Refer also to the instructions included with the aftermarket radio.*

- 1 Slide the DIN cage into the radio opening and secure by bending the metal locking tabs outward. (Figure A)
- 2 Make wire connections as described on the next page.
- 3 Slide the radio into the DIN cage until it snaps into place. (Figure B)
- 4 Attach the trim plate to the front of the radio. (Figure C)

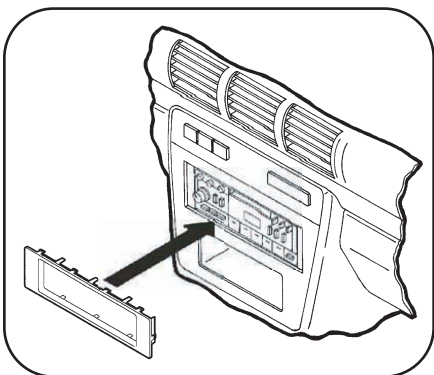
A



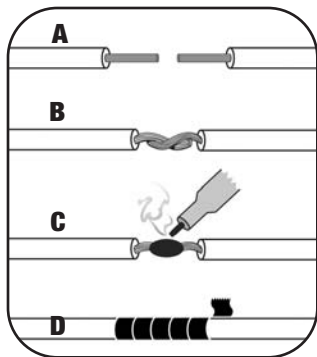
B



C



WIRING



(A) Strip wire ends back 1/2"

B) Twist ends together

C) Solder

D) Tape

- 1 Locate the factory wiring harness in the dash. Metra recommends using the proper mating adapter and making connections as shown. (Isolate and individually tape off the ends of any unused wires to prevent electrical short circuit.)
- 2 Re-connect the negative battery terminal and test the unit for proper operation.

FINAL WIRING CONNECTIONS

Make wiring connections using the EIA color code chart shown below and the instructions included with the head unit. Metra recommends making connections as shown below; Strip, Splice, Solder, Tape. Isolate and individually tape off ends of any unused wires to prevent electrical short circuit.

METRA / EIA WIRING CODE

12V Ignition / Acc. Red	Right Front (+) Gray
12V Batt / Memory Yellow	Right Front (-). Gray/ Black
Ground Black*	Left Front (+) White
Power Antenna Blue	Left Front (-). White / Black
Amp Turn-On Blue / White	Right Rear (+) Violet
Amp Ground Black / White	Right Rear (-) Violet / Black
Illumination Orange	Left Rear (+) Green
Dimmer Orange / White	Left Rear (-) Green / Black

***NOTE:** When a Black wire is not present, ground radio to vehicle chassis.
All colors may not be present on all leads due to manufacturer's specifications.

99-9100 INSTRUCTIONS



1-800-221-0932



www.metraonline.com

REV. 12/11/07 © COPYRIGHT 2004-2007 METRA ELECTRONICS CORPORATION INST99-9100