

# Oster®

For product questions contact:  
Jarden Consumer Service

USA: 1.800.334.0759

Canada: 1.800.667.8623

[www.oster.com](http://www.oster.com)

©2011 Sunbeam Products, Inc. doing business as Jarden Consumer Solutions.  
All rights reserved. Distributed by Sunbeam Products, Inc. doing business as  
Jarden Consumer Solutions, Boca Raton, Florida 33431.

Para preguntas sobre los productos llame:  
Jarden Consumer Service

EE.UU.: 1.800.334.0759

Canadá: 1.800.667.8623

[www.oster.com](http://www.oster.com)

©2011 Sunbeam Products, Inc. operando bajo el nombre de  
Jarden Consumer Solutions. Todos los derechos reservados.  
Distribuido por Sunbeam Products, Inc. operando bajo el nombre de  
Jarden Consumer Solutions, Boca Raton, Florida 33431.

SPR-032111-252

# Oster®

*User Manual* **Removable  
Electric Skillet**

*Manual de Instrucciones* **Sartén Eléctrico  
Desmontable**



# IMPORTANT SAFEGUARDS

When using electrical appliances, basic safety precautions should always be followed, including the following:

## READ AND SAVE THESE INSTRUCTIONS

- Do not touch hot surfaces. Use handles or knobs.
- To protect against electrical shock, do not immerse HEATING BASE and cord in water or other liquids.
- Close supervision is necessary when any appliance is used near children. This appliance is not to be used by children.
- Unplug from outlet when not in use and before cleaning. Allow to cool before putting on or taking off parts, and before cleaning the appliance.
- Do not operate any appliance with a damaged cord or plug or after the appliance malfunctions or has been damaged in any manner. Call Customer Service (see warranty) to return for examination, repair, or adjustment.
- The use of accessory attachments not recommended by manufacturer may cause injuries.
- Do not use outdoors.
- Do not let cord hang over edge of table or counter, or touch heated surfaces.
- Do not place the assembled appliance or SKILLET PAN on or near a hot gas or electric burner. However, the SKILLET PAN with the LID can be removed from the HEATING BASE and placed in the oven. Oven mitts are required.
- Extreme caution must be used when moving appliance containing hot oil or other hot liquids.
- Do not operate the skillet unless fully assembled. Place SKILLET PAN on HEATING BASE first, turn TEMPERATURE CONTROL DIAL to "OFF" and then plug cord into wall outlet.
- Do not use appliance for other than intended use.
- To disconnect, prior to removing skillet pan from heating base, turn the temperature control dial to "off", then remove plug from wall outlet.

- Steam escaping from under the LID or the STEAM VENT is hot. Use caution when removing the LID.
- Oven mitts are required when removing a hot LID or SKILLET PAN or to remove cooked food from the SKILLET PAN.

## SAVE THESE INSTRUCTIONS

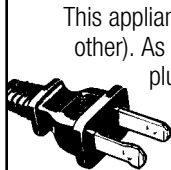
This appliance is for **HOUSEHOLD USE ONLY**.

No user-serviceable parts inside. Do not attempt to service this product.

A short power-supply cord is provided to reduce the hazards resulting from entanglement or tripping over a longer cord. **AN EXTENSION CORD MAY BE USED WITH CARE; HOWEVER, THE MARKED ELECTRICAL RATING SHOULD BE AT LEAST AS GREAT AS THE ELECTRICAL RATING OF THE SKILLET.**

The extension cord should not be allowed to drape over the counter or tabletop where it can be pulled on by children or unintentionally tripped over.

### POLARIZED PLUG



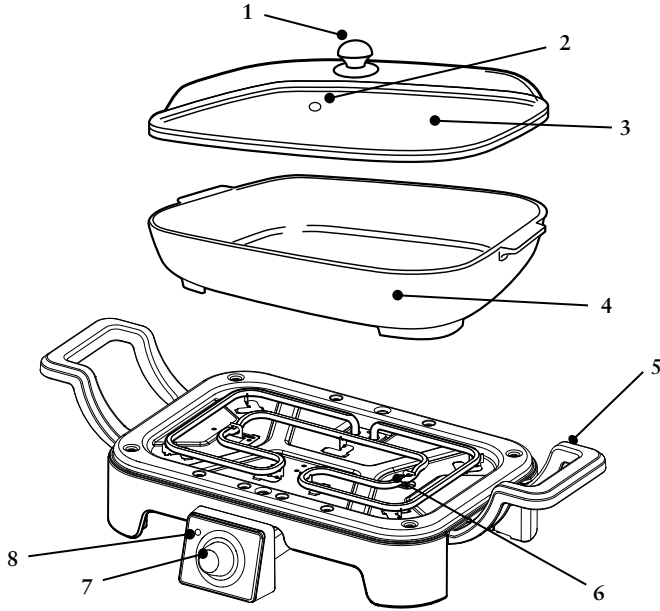
This appliance has a polarized plug, (one blade is wider than the other). As a safety feature to reduce the risk of electrical shock, this plug is intended to fit in a polarized outlet only one way. If the plug does not fit fully in the outlet, reverse the plug. If it still does not fit, contact a qualified electrician. Do not attempt to defeat this safety feature or modify the plug in any way. If the plug fits loosely into the AC outlet or if the AC outlet feels warm do not use that outlet.

**CAUTION:** Some countertops are more sensitive to heat, use care not to place skillet or SKILLET PAN on surfaces where heat may cause damage.

**ELECTRIC POWER:** If electric circuit is overloaded with other appliances, skillet may not operate properly. Skillet must be operated on a separate circuit from other operating appliances.

# PARTS IDENTIFICATION

## KNOW YOUR ELECTRIC SKILLET



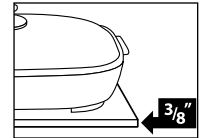
- |                          |                             |
|--------------------------|-----------------------------|
| 1. Oven Safe Lid Handle  | 5. Handle                   |
| 2. Steam Vent            | 6. Heating Base             |
| 3. Oven Safe Glass Lid   | 7. Temperature Control Dial |
| 4. Oven Safe Skillet Pan | 8. Power Indicator Light    |

## HOW TO USE YOUR ELECTRIC SKILLET

Before use, wash the SKILLET PAN and LID in warm soapy water or in the dishwasher and dry completely.

**CAUTION:** Do not immerse HEATING BASE in water or other liquids.

1. Set the skillet on a flat, dry, heat resistant surface.
2. Make sure that the SKILLET PAN is sitting securely on the HEATING BASE. If the SKILLET PAN is not secure on the HEATING BASE, the product may not function properly.
3. Turn TEMPERATURE CONTROL DIAL to "OFF". Plug skillet into standard 120V AC outlet. **NOTE: The Power Indicator light will illuminate indicating that the skillet is plugged into a power source. During cooking, the power indicator light will remain on.**
4. Turn TEMPERATURE CONTROL DIAL to desired setting. WARM is recommended for keeping already hot, fully cooked food at the perfect serving temperature. We do not recommend using the WARM setting for more than 4 hours.
5. Preheat the skillet with the LID on for 10–15 minutes. **NOTE:** Due to manufacturing process, during initial use of this appliance, some slight smoke and/or odor may be detected. This is normal with many heating appliances and will not recur after a few uses.
6. The STEAM VENT allows steam to escape while cooking with the LID in place. **CAUTION:** Escaping steam is HOT! Be careful when removing or lifting LID. Oven mitts are required when handling the LID, gripping the LID KNOB or SKILLET PAN.
7. When cooking is complete turn TEMPERATURE CONTROL DIAL to "OFF".
8. Prior to removing pan from HEATING BASE, turn TEMPERATURE CONTROL DIAL to "OFF" and remove plug from wall outlet.
9. The SKILLET PAN can be removed from the HEATING BASE and placed in the oven for baking or roasting.
10. The SKILLET PAN can be used as a serving piece. When placing the SKILLET PAN on a countertop, kitchen table or other surface, place a hot plate or trivet that measures at least  $\frac{3}{8}$ " high under the pan to prevent burning or discoloration of the countertop surface.
11. The SKILLET PAN and LID can be used in the oven.



## HOW TO CLEAN YOUR SKILLET

**CAUTION:** Skillet is hot: handle carefully.

- When cooking is complete, turn TEMPERATURE CONTROL DIAL to “OFF” by aligning with the power indicator light. Unplug the cord from the outlet and allow skillet to cool before cleaning.
- The SKILLET PAN and LID can be washed in the dishwasher or in warm soapy water with a soft cloth. **CAUTION:** The HEATING BASE is not immersible.
- With a damp cloth, clean the skillet HEATING BASE and TEMPERATURE CONTROL PANEL.

## HELPFUL HINTS

- Before using the skillet for the first time, lightly brush cooking surface with vegetable oil. Heat, uncovered, to 300°F. Turn “OFF” and cool completely. Wipe away excess oil.
- Use only nylon or heat-proof plastic cooking utensils. Metal utensils may scratch the non-stick surface.
- **THIS SKILLET IS NOT DESIGNED TO DEEP FRY. TO PAN-FRY, DO NOT USE MORE THAN 1 CUP OF OIL.** Select a vegetable oil or peanut oil for frying. Butter and olive oil should only be used to sauté foods on a lower temperature setting.
- For best results cook with the lid on.

## TEMPERATURE GUIDE

The cooking temperatures listed in this user manual are estimates. Adjust the cooking temperature slightly up or down to achieve the results you prefer.

Food	Amount	Time/Directions	Skillet Temp.
Burgers	¼ lb patties.	5 to 9 minutes/per side (med.)	350°F–400°F
Steak	1” thick, boneless	9 to 12 minutes/per side	350°F–400°F
Chicken	boneless breasts	6 to 7 minutes/per side	350°F–400°F
French Toast		3 to 5 minutes/per side	350°F–400°F
Pancakes		1 to 3 minutes/per side	350°F–400°F
Eggs Fried		2 to 3 minutes/first side 1 to 2 minutes/second side Melt 1 to 2 tsp. butter or margarine in skillet	350°F
Poached	1 to 6 eggs	2 to 3 minutes Pour 2 cups water and 1 tsp. cider vinegar in skillet. Heat to boiling. Break each egg into a bowl; slip into water. Cover and cook 2 to 3 minutes.	250°F or 300°F
Scrambled		3 to 4 minutes Melt 1 to 2 tbs. butter or margarine in skillet. Add eggs, cook, stir gently, until set and cooked.	300°F
Bacon		5 minutes/first side 1 to 3 minutes/second side	350°F–400°F
Sausage Links		8 to 10 minutes	350°F–400°F
Sausage Patties		6 minutes/first side 5 to 6 minutes/second side	350°F–400°F

## RECOMMENDED INTERNAL TEMPERATURE FOR MEAT

Food	Minimum Internal Temperature
Steak	145°F (medium rare) 160°F (medium) 170°F (well done)
Burgers	160°F
Chicken Breast	170°F
Pork Chops	160°F (medium) 170°F (well done)
Ham	160°F

**NOTE:** Use this guide along with an “instant-read” meat thermometer to check internal food temperature. The thermometer should penetrate the thickest part of the food.

## RECIPES

---

### APPLE NUT PANCAKES

2 tablespoons butter or margarine       $\frac{2}{3}$  cup milk  
 $\frac{1}{2}$  cup plus 2 tablespoons       $\frac{1}{2}$  teaspoon vanilla  
    all-purpose flour      1 egg  
1  $\frac{1}{2}$  teaspoons sugar      Vegetable oil  
2 teaspoons baking powder       $\frac{1}{2}$  cup peeled and finely  
2 tablespoons chopped pecans      chopped apple  
    or walnuts       $\frac{1}{4}$  teaspoon cinnamon  
Dash nutmeg

Melt butter. Set aside to cool slightly. Combine flour, sugar, baking powder and spices in a small bowl. Combine melted butter and milk in mixing bowl. Add egg and beat lightly to combine. Blend in flour mixture, stirring just until combined. Fold in apple and nuts. Preheat skillet to 350°F. Brush lightly with oil. Pour about  $\frac{1}{4}$  cup batter for each pancake. Cook until bubbles come to the surface and the bottom is golden brown, about 2 minutes. Serve warm with maple syrup for breakfast, brunch or top with ice cream, additional nuts and caramel syrup for dessert.

---

### CLASSIC FRENCH TOAST

1 egg, slightly beaten      1 tablespoon butter or margarine  
 $\frac{1}{3}$  cup milk      2 slices French bread,  
 $\frac{1}{4}$  teaspoon vanilla extract      sliced 1-inch thick  
Confectioner’s sugar      Dash nutmeg or cinnamon  
 $\frac{1}{2}$  teaspoon vanilla      Maple syrup

Combine egg, milk, spices and sugar in shallow pan. Preheat skillet to 350°F. Add butter to skillet. Dip both sides of bread quickly into egg mixture then place in skillet. Cook 2 to 3 minutes per side or until bread is golden brown. Dust each piece lightly with confectioner’s sugar and serve with maple syrup.

## RECIPES

---

### DENVER OMELET

½ cup diced, cooked ham	3 eggs
¼ cup chopped green bell pepper	2 tablespoons water
¼ cup sliced fresh mushrooms	⅛ teaspoon salt
1 green onion, sliced	Dash cayenne pepper
1 tablespoon butter or margarine	
⅓ cup (1-ounce) cheddar cheese, shredded	

Set skillet temperature to 300°F. Add ham, green bell pepper, mushrooms, onions and butter. Sauté 2 minutes, stirring frequently. Arrange vegetables in an even layer. Lightly beat eggs with water, salt and cayenne pepper; pour egg mixture over ham and vegetables. Cover and cook 4 minutes or until eggs are set. Sprinkle with cheese, cover and cook additional 2 minutes. To serve, slice omelet in half then gently fold each part in half. Lift omelet from skillet with a wide spatula.

---

### HAM AND EGG FAVORITE

1 tablespoon butter or margarine	2 eggs
¼ cup chopped onion	½ cup chopped cooked ham
2 tablespoons all-purpose flour	½ cup chopped fresh spinach
¼ cup milk	
¾ cup (3-ounces) Swiss cheese, shredded	

Set skillet temperature to 300°F. Add butter and melt. Add onions and sauté until onions are tender, about 2 minutes, remove onion from skillet and set aside. Combine flour, milk and eggs; beat lightly to blend. Pour egg mixture into pan. Cover and cook 2 minutes. Arrange ham, spinach and cooked onions evenly over eggs. Sprinkle cheese evenly over top. Cover and cook additional 2 minutes. Gently cut into four pie-shaped wedges with a soft utensil. Lift each wedge onto serving plate.

## RECIPES

---

### CHEESE AND BACON POTATOES

6 slices bacon	¼ cup onion, finely chopped
4 large potatoes, thinly sliced with skins on	1½ cup (6-ounces) cheddar cheese, shredded
1 can (4-ounces) chopped green chilies	

Place bacon in cold skillet. Set skillet temperature to 350°F. Fry bacon until crisp, remove and drain. Carefully remove grease, reserving 2 tablespoons bacon grease in skillet. Add potatoes to skillet; cover and cook 10 minutes. Turn potatoes and cook an additional 5 minutes. Crumble bacon and combine with green chilies and onion. Sprinkle over potatoes. Top with cheese; cover and cook 5 more minutes.

---

### PASTA WITH PEPPERS AND CHICKEN

1 clove garlic, minced	Pinch ground red pepper
1 tablespoon olive oil	Salt and ground black pepper to taste
1 whole boneless, skinless chicken breast, cut into ½-inch x 2-inch strips	1½ teaspoons cornstarch
1 cup sliced red, green or yellow bell pepper (or combination)	¾ cup chicken broth
½ teaspoon basil	4-ounces linguine or fettuccine, cooked and drained

Set skillet temperature to 350°F. Add garlic and oil and sauté 2 minutes. Add chicken; cook and stir for 5 minutes. Stir in bell peppers and allow to cook additional 2 minutes or until vegetables are crisp tender and chicken is done. Reduce temperature to 250°F. Blend seasonings and cornstarch into chicken broth, stirring until well blended. Pour broth mixture into skillet. Heat, stirring gently, 1 minute or until mixture is hot and thickened. Serve over pasta. Makes 2 servings.

## RECIPES

---

### SHRIMP AND VEGETABLE STIR-FRY

$\frac{3}{4}$ -lb. raw, shrimp, shelled and deveined    2 stalks celery, sliced  
2 tablespoons light soy sauce    1 small sweet red bell pepper,  
2 tablespoons dry sherry wine    in thin strips  
2 teaspoons cornstarch    1 cup broccoli flowerets  
1 teaspoon grated gingerroot     $\frac{1}{2}$  medium onion, thinly sliced  
1 tablespoon vegetable oil    5 large fresh mushrooms, sliced  
 $\frac{1}{2}$  package (3-ounces) frozen  
snow peas, thawed

Place cleaned shrimp in bowl. Combine soy sauce, sherry, cornstarch, and gingerroot; pour over shrimp. Preheat skillet to 400°F. Add oil to skillet. Stir-fry celery, red bell pepper, broccoli and onions for 2 minutes. Add shrimp with marinade and stir-fry additional 2 minutes or until shrimp turn pink. Add mushrooms and snow peas. Stir-fry until heated through.

---

### STEAK AU POIVRE

2 teaspoons black peppercorns    1 tablespoon butter or margarine  
or mixture of black, green and  
pink peppercorns    1 green onion, sliced  
 $\frac{1}{2}$  to  $\frac{3}{4}$ -lb. boneless steak,    3 tablespoons bourbon or beef broth  
(1 strip or sirloin steak)    3 tablespoons water

Place peppercorns in plastic bag. Crack peppercorns with rolling pin or mallet. Press cracked peppercorns evenly over both sides of steak. Set aside. Set skillet temperature to 300°F. Add steak and cook, 7 minutes per side for medium-rare, or until desired doneness. Remove steak from skillet and keep warm. Add butter and green onion. Saute, stirring for 1 minute. Combine bourbon/beef broth and water; pour over green onions. Allow to cook, stirring constantly, about 2 minutes or until sauce has thickened slightly. Cut steak into serving portions. Return steak to skillet and spoon sauce over meat. Heat 1 minute. Serve steaks with sauce spooned over meat.

## RECIPES

---

### CHICKEN CACCIATORE

2 tablespoons vegetable oil     $\frac{1}{3}$  cup chopped green bell pepper  
3 to 4 pieces chicken    1 can (4-ounces) sliced mushrooms,  
(thighs, legs, of halved breasts)    drained  
 $\frac{1}{3}$  cup chopped onion    1 teaspoon Italian seasoning  
1 bay leaf    Salt and ground black pepper to taste  
1 clove garlic, minced    Hot cooked spaghetti or other pasta  
1 can (14  $\frac{1}{2}$ -ounces) peeled,  
diced tomatoes

Set skillet temperature to 350°F. Add oil. Arrange chicken pieces, skin side-down in skillet. Cook chicken until well browned on first side, about 5 minutes. Turn chicken. Add onion and garlic around chicken. Cook 3 minutes, or until onion is cooked, but not brown. Reduce temperature to "WARM". Add remaining ingredients, except spaghetti. Cover and cook 30 to 40 minutes, or until chicken is cooked. Stir sauce and spoon over chicken occasionally. Serve chicken and sauce over spaghetti or other pasta.

---

### PORK CHOPS WITH SPANISH RICE

2 to 4 center cut pork chops,     $\frac{1}{3}$  cup raw long grain rice  
about  $\frac{1}{2}$ -inch thick     $\frac{1}{2}$  teaspoon chili powder  
 $\frac{1}{3}$  cup chopped onion    1 can (14  $\frac{1}{2}$ -ounces) whole  
 $\frac{1}{4}$  cup chopped green bell pepper    tomatoes

Set skillet temperature to 350°F. Add chops and cook on first side 5 minutes. Turn chops; add onion and green bell pepper. Cook, stirring vegetables occasionally, 2 minutes. Reduce temperature to "WARM". Add rice, chili powder and tomatoes and stir to blend into vegetables. Cover and cook 25 to 30 minutes, stirring occasionally.

## **1 Year Limited Warranty**

Sunbeam Products, Inc. doing business as Jarden Consumer Solutions or if in Canada, Sunbeam Corporation (Canada) Limited doing business as Jarden Consumer Solutions (collectively “JCS”) warrants that for a period of one year from the date of purchase, this product will be free from defects in material and workmanship. JCS, at its option, will repair or replace this product or any component of the product found to be defective during the warranty period. Replacement will be made with a new or remanufactured product or component. If the product is no longer available, replacement may be made with a similar product of equal or greater value. This is your exclusive warranty. Do NOT attempt to repair or adjust any electrical or mechanical functions on this product. Doing so will void this warranty.

This warranty is valid for the original retail purchaser from the date of initial purchase and is not transferable. Keep the original sales receipt. Proof of purchase is required to obtain warranty performance. JCS dealers, service centers, or retail stores selling JCS products do not have the right to alter, modify or any way change the terms and conditions of this warranty.

This warranty does not cover normal wear of parts or damage resulting from any of the following: negligent use or misuse of the product, use on improper voltage or current, use contrary to the operating instructions, disassembly, repair or alteration by anyone other than JCS or an authorized JCS service center. Further, the warranty does not cover: Acts of God, such as fire, flood, hurricanes and tornadoes.

### **What are the limits on JCS's Liability?**

JCS shall not be liable for any incidental or consequential damages caused by the breach of any express, implied or statutory warranty or condition.

Except to the extent prohibited by applicable law, any implied warranty or condition of merchantability or fitness for a particular purpose is limited in duration to the duration of the above warranty.

JCS disclaims all other warranties, conditions or representations, express, implied, statutory or otherwise.

JCS shall not be liable for any damages of any kind resulting from the purchase, use or misuse of, or inability to use the product including incidental, special, consequential or similar damages or loss of profits, or for any breach of contract, fundamental or otherwise, or for any claim brought against purchaser by any other party.

Some provinces, states or jurisdictions do not allow the exclusion or limitation of incidental or consequential damages or limitations on how long an implied warranty lasts, so the above limitations or exclusion may not apply to you.

This warranty gives you specific legal rights, and you may also have other rights that vary from province to province, state to state or jurisdiction to jurisdiction.

### **How To Obtain Warranty Service**

#### **In the U.S.A.**

If you have any question regarding this warranty or would like to obtain warranty service, please call 1-800-334-0759 and a convenient service center address will be provided to you.

#### **In Canada**

If you have any question regarding this warranty or would like to obtain warranty service, please call 1-800-667-8623 and a convenient service center address will be provided to you.

In the U.S.A., this warranty is offered by Sunbeam Products, Inc. doing business as Jarden Consumer Solutions located in Boca Raton, Florida 33431. In Canada, this warranty is offered by Sunbeam Corporation (Canada) Limited doing business as Jarden Consumer Solutions, located at 20 B Hereford Street, Brampton, Ontario L6Y 0M1. If you have any other problem or claim in connection with this product, please write our Consumer Service Department.

**PLEASE DO NOT RETURN THIS PRODUCT TO ANY OF THESE ADDRESSES OR TO THE PLACE OF PURCHASE.**



# PRECAUCIONES IMPORTANTES

**Cuando use algún aparato eléctrico siempre deben seguirse precauciones básicas de seguridad incluyendo las siguientes:**

- No toque las superficies calientes. Use las manijas o perillas.
- Para protegerse contra choque eléctrico, no sumerja la BASE CALEFACTORA ni el cable en agua u otros líquidos.
- Es necesario supervisar de cerca cuando se use cualquier aparato cerca de niños. Este aparato no debe ser usado por niños.
- Desconecte del tomacorriente cuando no esté en uso y antes de limpiar. Permita que se enfríe antes de colocar o quitar partes, y antes de limpiar el aparato.
- No opere ningún aparato con el cable o enchufe dañado o después de que haya fallado o se haya dañado de alguna manera. Llame a Servicio al Cliente (ver garantía) para devolverlo para revisión, reparación o ajuste.
- El uso de accesorios no recomendados por el fabricante puede causar lesiones.
- No use en exteriores.
- No deje que el cable cuelgue del borde de una mesa o mostrador, ni que toque superficies calientes.
- No coloque el aparato ensamblado o el SARTÉN sobre o cerca de un quemador caliente de gas o eléctrico. Sin embargo, el SARTÉN, with la tapa, se puede desmontar de la BASE CALEFACTORA y colocarse en el horno. Se requieren guantes para horno.
- Tenga extremo cuidado al mover el aparato con aceite caliente u otros líquidos calientes.

- No opere el sartén a menos que esté completamente ensamblado. Coloque el SARTÉN sobre la BASE CALEFACTORA primero, gire el DIAL DE CONTROL DE TEMPERATURA a "OFF" (apagado) y luego conecte el cable en el tomacorriente.
- No use el aparato con un fin diferente para el cual fue diseñado.
- Para desconectar y antes de retirar el SARTÉN de la BASE CALEFACTORA, gire el DIAL DE CONTROL DE TEMPERATURA a "OFF" (apagado), luego desenchufe del tomacorriente.
- El vapor que se escapa por debajo de la TAPA o por la SALIDA DE VAPOR es caliente. Tenga precaución al quitar la TAPA.
- Para desconectar, antes de remover el sartén de la base calefactora, gire el control de la temperatura a "off", y luego retire el enchufe del tomacorriente de la pared.

## LEA Y CONSERVE ESTAS INSTRUCCIONES

### **Esta Unidad Es Sólo para Uso Doméstico**

No se tiene adentro ninguna parte que el propio usuario pudiera utilizar para repararlo; por tanto no intente repararlo usted mismo.

Se ha provisto un cable eléctrico corto a fin de disminuir el riesgo de que haya tropezos o se enrede con un cable más largo. **SIN EMBARGO, LA CALIFICACIÓN ELÉCTRICA INDICADA DEBE SER AL MENOS TAN ALTA COMO LA CALIFICACIÓN ELÉCTRICA DEL SARTÉN**

La extensión debe colocarse de manera que no cuelgue sobre la mesa o mostrador y fuera del alcance de los niños para evitar tropezarse con el cable.

## ENCHUFE POLARIZADO

Este artefacto cuenta con una clavija polarizada (una hojilla es más ancha que la otra). Como medida de seguridad para reducir el riesgo de descarga eléctrica, esta clavija entra sólo de una manera en un enchufe polarizado. Si la clavija no encaja en el enchufe, simplemente colóquela al revés. Si aún así no encaja, contacte a un electricista calificado. De ninguna manera intente modificar esta medida de seguridad o modificar el enchufe. Si el enchufe queda flojo en el tomacorriente o el tomacorriente se recalienta no utilice ese tomacorriente.

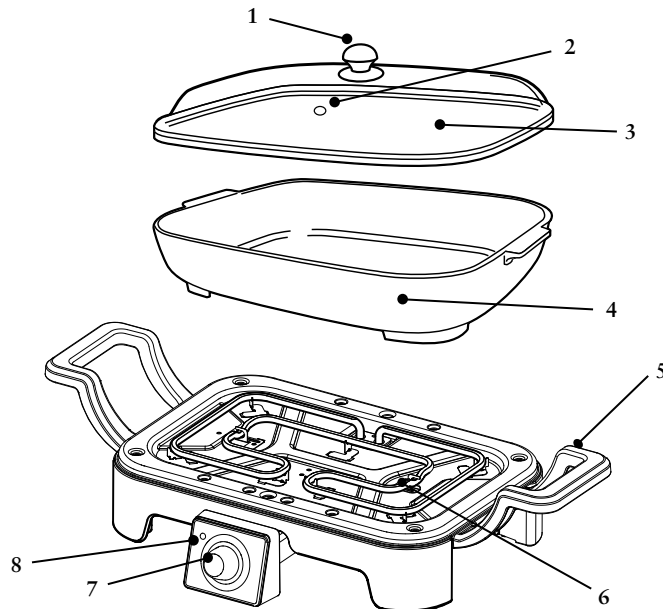


**PRECAUCIÓN:** Algunos mostradores son más sensibles al calor que otros, tenga cuidado de no colocar el SARTÉN sobre superficies donde el calor pueda causar daños.

**POTENCIA ELÉCTRICA:** Si el circuito eléctrico se sobrecarga con otros aparatos, es posible que el sartén no funcione correctamente. El sartén se debe operar en un circuito separado de otros aparatos que estén operando.

## IDENTIFICACIÓN DE LAS PARTES

### CONOZCA SU SARTÉN ELÉCTRICO



1. Manija de la tapa segura dentro del horno
2. Salida de vapor
3. Tapa de vidrio segura dentro del horno
4. Sartén segura dentro del horno

5. Manija
6. Base calefactora
7. Dial de control de temperatura
8. Luz indicadora de corriente

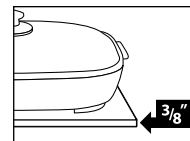
## CÓMO USAR EL SARTÉN ELÉCTRICO

Antes de usar, lave el SARTÉN y la TAPA en agua tibia jabonosa o en la máquina lavaplatos y seque completamente.

**PRECAUCIÓN:** No sumerja la BASE CALEFACTORA en agua u otros líquidos

1. Coloque el sartén sobre una superficie plana, seca y resistente al calor.
2. Cerciórese de que el SARTÉN esté firmemente ajustado sobre la BASE CALEFACTORA. Si el SARTÉN no está firme sobre la BASE CALEFACTORA, es posible que el producto no funcione correctamente.
3. Gire el DIAL DE CONTROL DE TEMPERATURA a “OFF” (apagado). **NOTA:** La luz indicadora de corriente se iluminará indicando que el sartén está conectado a una fuente de energía. Durante la cocción, la luz indicadora de corriente permanecerá encendida.
4. Conecte el sartén en un tomacorriente estándar de 120V CA y gire el DIAL DE CONTROL DE TEMPERATURA al nivel deseado, alineando la temperatura con la LUZ INDICADORA DE CORRIENTE. Nivel WARM (tibio): Se recomienda para mantener alimentos que ya están calientes y completamente cocinados a la temperatura perfecta para servir. No recomendamos usar el nivel WARM (tibio) por más de 4 horas.
5. Precaliente el sartén con la TAPA puesta por 10–15 minutos. **NOTA:** Debido al proceso de fabricación, durante el uso inicial de este aparato, se puede detectar algo de humo y/o olor. Esto es normal con muchos aparatos que calientan y no continuará después de varios usos.
6. La SALIDA DE VAPOR permite que el vapor escape mientras cocina con la TAPA puesta. **PRECAUCIÓN:** ¡El vapor que escapa es CALIENTE! Tenga cuidado al quitar o levantar la TAPA. Se deben usar guantes para el horno al manipular la TAPA, agarrando la MANIJA DE LA TAPA o el SARTÉN.
7. Cuando la cocción esté completa gire el DIAL DE CONTROL DE TEMPERATURA a la posición “OFF” (apagado).
8. Antes de retirar el sartén de la BASE CALEFACTORA, gire el DIAL DE CONTROL DE TEMPERATURA a la posición “OFF” (apagado) y retire el enchufe del tomacorriente.
9. El SARTÉN se puede retirar de la BASE CALEFACTORA y colocarse en el horno para hornear o asar. **Nota:** La TAPA se debe retirar cuando el SARTÉN se use en el horno.

10. El SARTÉN se puede usar como una fuente de servir. Al colocar el SARTÉN sobre un mostrador, mesa de cocina u otra superficie, coloque una base protectora por debajo que mida al menos de  $\frac{3}{8}$ ” de alto para evitar quemaduras o decoloración de la superficie del tablero.



11. La SARTÉN Y LA TAPA de la sartén pueden usarse en el horno.

## CÓMO LIMPIAR EL SARTÉN

**PRECAUCIÓN:** El sartén está caliente: manipule con cuidado.

- Cuando termine de cocinar, gire el DIAL DE CONTROL DE TEMPERATURA a “OFF” (apagado) y alinee con la luz indicadora de corriente. Desconecte el cable del tomacorriente y permita que el sartén se enfríe antes de limpiar.
- EL SARTÉN y la TAPA se pueden lavar en la máquina lavaplatos o en agua tibia jabonosa con un paño suave. **PRECAUCIÓN:** La BASE CALEFACTORA no se puede sumergir en líquidos.
- Con un paño húmedo, limpie la BASE CALEFACTORA del sartén y el PANEL DE CONTROL DE TEMPERATURA.

## SUGERENCIAS ÚTILES

- Antes de usar el sartén por primera vez, cubra ligeramente la superficie de cocción con aceite vegetal. Caliente, sin cubrir hasta 300°F. Apague y enfríe por completo. Limpie el aceite en exceso.
- Use únicamente utensilios de nylon o plástico resistentes al calor. Los utensilios metálicos pueden rayar la superficie antiadherente.
- EL SARTÉN NO ESTÁ DISEÑADO PARA FREÍR CON ABUNDANTE ACEITE. PARA FREÍR CON POCO ACEITE, NO USE MÁS DE UNA TAZA DE ACEITE. Elija un aceite vegetal o de maní para freír. La mantequilla y el aceite de oliva sólo se debe usar para sofreír alimentos a un nivel bajo de temperatura.
- Para mejores resultados cocine con la tapa puesta.

## GUÍA DE TEMPERATURA

Las temperaturas de cocción que se indican en este manual del usuario son estimados. Ajuste la temperatura de cocción ligeramente hacia arriba o hacia abajo para lograr los resultados que usted prefiera.

Alimento	Cantidad	Tiempo/ Instrucciones	Temperatura del sartén
Hamburguesas	Porciones de ¼ lb.	5 a 9 minutos por lado (término medio)	350°F–400°F
Carne en bistec	1" de espesor, sin hueso	9 a 12 minutos por lado	350°F–400°F
Pollo	Pechugas sin hueso	6 a 7 minutos por lado	350°F–400°F
Tostada Francesa		3 a 5 minutos por lado	350°F–400°F
Pancakes		1 a 3 minutos por lado	350°F–400°F
Huevos Fritos		2 a 3 minutos/primer lado 1 a 2 minutos/segundo lado Derrita 2 cucharaditas de mantequilla o margarina en el sartén	350°F
Escalfados	1 a 6 huevos	2 a 3 minutos Vierta 2 tazas de agua y 1 cda. de vinagre de cidra en el sartén. Caliente hasta hervir. Vierta cada huevo en un tazón; deslice dentro del agua. Cubra y cocine por 2 a 3 minutos.	250°F or 300°F
Revueltos		3 to 4 minutos Derrita 1 a 2 cdas. de mantequilla o margarina en el sartén. Agregue los huevos, cocine, revuelva ligeramente hasta que estén firmes y cocinados.	300°F
Tocino		5 minutos/primer lado 1 a 3 minutos/segundo lado	350°F–400°F
Salchichas		8 a 10 minutos	350°F–400°F
Salchicha en rodajas		6 minutos/primer lado 5 a 6 minutos/segundo lado	350°F–400°F

## TEMPERATURA INTERNA RECOMENDADA PARA LA CARNE

Alimento	Temperatura interna mínima
Carne en bistec	145°F (medio cruda) 160°F (término medio) 170°F (bien cocida)
Hamburguesas	160°F
Pechuga de pollot	170°F
Chuletas de cerdo	160°F (término medio) 170°F (bien cocidas)
Jamón	160°F

**NOTA:** Use esta guía junto con un termómetro para carne de “lectura instantánea” para revisar la temperatura interna de los alimentos. El termómetro debe penetrar la parte más gruesa del alimento.

### PANCAKES DE MANZANA Y NUECES

2 cucharadas de mantequilla o margarina     $\frac{2}{3}$  taza de leche  
 $\frac{1}{2}$  taza más 2 cucharadas     $\frac{1}{2}$  cucharadita de vainilla  
de harina para todo propósito    1 huevo  
1  $\frac{1}{2}$  cucharadita de azúcar    Aceite vegetal  
2 cucharaditas de polvo de hornear     $\frac{1}{2}$  taza de manzana pelada y  
2 cucharadas de nueces pecán    finamente picada  
o nueces del nogal picadas     $\frac{1}{4}$  cucharadita de canela  
Una pizca de nuez moscada

Derrita la mantequilla. Deje a un lado para que se enfríe ligeramente. Combine la harina, el azúcar, el polvo de hornear y las especias en un tazón pequeño. Combine la mantequilla derretida y la leche en un tazón de mezclar. Agregue los huevos y bata ligeramente para mezclar. Agregue en la mezcla de harina, revolviendo hasta que esté combinada. Incorpore las manzanas y las nueces. Precaliente el sartén a 350°F. Unte ligeramente con aceite. Vierta cerca de  $\frac{1}{4}$  taza de mezcla para cada pancake. Cocine hasta que se formen burbujas en la superficie y la parte de abajo esté dorada, unos 2 minutos. Sirva pancakes, calientes con sirope de arce para desayuno, brunch o cubra con helado, más nueces y sirope de caramelo como postre.

### TOSTADA A LA FRANCESA CLÁSICA

1 huevo, ligeramente batido    1 cucharada de mantequilla  
 $\frac{1}{3}$  taza de leche    o margarina  
 $\frac{1}{4}$  cucharadita de extracto de vainilla    2 rebanadas de pan francés,  
Azúcar pulverizada    en rodajas de 1 pulgada  
 $\frac{1}{2}$  cucharadita de vainilla    Una pizca de nuez moscada  
Sirope de arce    o canela

Combine el huevo, la leche, las especias y el azúcar en un recipiente poco profundo. Precaliente el sartén a 350°F. Agregue la mantequilla al sartén. Sumerja rápidamente ambos lados del pan dentro de la mezcla de huevo, y luego coloque en el sartén. Cocine por 2 a 3 minutos por lado o hasta que el pan esté dorado. Espolvoree cada pieza ligeramente con azúcar pulverizada y sirva con sirope de arce.

---

### OMELET DENVER

1  $\frac{1}{2}$  taza de jamón en cubos, cocinado    3 huevos  
 $\frac{1}{4}$  taza de pimiento verde picado    2 cucharadas de agua  
 $\frac{1}{4}$  taza de champiñones frescos en rodajas     $\frac{1}{8}$  cucharadita de sal  
1 cebolla verde, en rodajas    Una pizca de pimienta Cayena  
1 cucharada de mantequilla o margarina  
 $\frac{1}{3}$  taza (1 onza) de queso Cheddar, rallado

Fije la temperatura del sartén en 300°F. Agregue jamón, pimiento verde, champiñones, cebolla y mantequilla. Sofría por 2 minutos, revolviendo con frecuencia. Coloque los vegetales en una capa uniforme. Bata los huevos ligeramente con agua, sal y pimienta Cayena; vierta la mezcla de huevos sobre el jamón y los vegetales. Cubra y cocine por 4 minutos o hasta que los huevos estén firmes. Rocíe con queso, cubra y cocine por otros 2 minutos adicionales. Para servir, parta el omelet por la mitad y luego doble cada parte por la mitad. Retire las porciones de omelet del sartén con una espátula ancha.

## RECETAS

---

### PLATO FAVORITO DE JAMÓN Y HUEVOS

- 1 cucharada de mantequilla margarina
- ¼ taza de leche
- ¼ taza de cebolla picada
- 2 huevos
- 2 cucharadas de harina
- ½ taza de jamón cocinado picado para todo propósito
- ½ taza de espinaca fresca picada
- ¾ taza (3 onzas) de queso suizo, rallado

Fije la temperatura del sartén en 300°F. Agregue mantequilla y derrita. Agregue la cebolla y sofría hasta que esté suave, unos 2 minutos, luego retire la cebolla del sartén y coloque a un lado. Combine la harina, la leche y los huevos; bata ligeramente para que se mezclen. Vierta la mezcla de huevos en el sartén. Cubra y cocine por 2 minutos. Coloque el jamón, la espinaca y la cebolla cocinada de manera uniforme sobre los huevos. Esparza queso de manera uniforme sobre los huevos. Cubra y cocine por 2 minutos adicionales. Suavemente cortadas en cuatro trozos en forma de pastel con un utensilio de suave. Sirva cada porción en un plato de servir.

---

### PAPAS CON QUESO Y TOCINO

- 6 rodajas de tocino
- ¼ taza de cebolla, finamente picada
- 4 papas grandes,
- 1½ taza (6 onzas) de queso Cheddar,
- en rodajas delgadas
- on la cáscara rallado
- 1 lata (4 onzas) de chiles verdes picados

Coloque el tocino en el sartén frío. Fije la temperatura en 350°F. Fría el tocino hasta que esté crujiente, retire y escurra. Con cuidado, retire la grasa, reservando 2 cucharadas de grasa del tocino en el sartén. Agregue las papas al sartén, cubra y cocine por 10 minutos. Voltee las papas y cocine 5 minutos adicionales. Triture el tocino y combine con los chiles verdes y la cebolla. Esparza sobre las papas. Cubra con queso; tape y cocine por 5 minutos más.

## RECETAS

---

### PASTA CON PIMIENTOS Y POLLO

- 1 diente de ajo, picado
- Una pizca de pimienta roja molida
- 1 cucharada de aceite de oliva
- Sal y pimienta negra molida al gusto
- 1 pechuga de pollo entera, sin piel,
- 1½ cucharadita de maicena
- cortada en tiras de ½ pulgada x 2 pulgadas
- ¾ taza de caldo de pollo
- 1 taza de pimientos verdes, rojos o amarillos
- (o combinación) cocinados y escurridos
- 4 onzas de pasta linguine o fettuccine, cocinada y escurrida
- ½ cucharadita de albahaca

Fije la temperatura del sartén en 350°F. Agregue ajo y aceite y sofría por 2 minutos. Agregue el pollo; cocine y revuelva por 5 minutos. Agregue los pimientos y deje cocinar por 2 minutos adicionales o hasta que los vegetales estén crujientes y suaves y el pollo esté cocinado. Reduzca la temperatura a 250°F. Agregue las especias y la maicena en el caldo de pollo, mezclando hasta que esté bien combinado. Vierta la mezcla del caldo en el sartén. Caliente, mezclando suavemente por 1 minuto o hasta que la mezcla esté caliente y espesa. Sirva sobre la pasta. Rinde 2 porciones.

---

### SALTEADO DE CAMARONES Y VEGETALES

- ¾-lb. de camarones,
- 2 ramas de apio, en rodajas
- crudos pelados y desvenados
- 1 pimiento rojo pequeño,
- 2 cucharadas de salsa soya ligera
- en tiras delgadas
- 2 cucharadas de vino de jerez seco
- 1 taza de ramitos de brócoli
- 2 cucharaditas de maicena
- ½ cebolla mediana, en rodajas
- 1 cucharadita de raíz de jengibre rallada
- delgadas
- 1 cucharada de aceite vegetal
- 5 champiñones grandes frescos,
- ½ paquete (3 onzas) de guisantes
- en rodajas
- congelados, ya descongelados

Coloque los camarones limpios en un tazón. Mezcle la salsa soya, el jerez, la maicena y la raíz de jengibre y agregue sobre los camarones. Precaliente el sartén a 400°F. Agregue aceite al sartén. Saltee el apio, el pimiento verde, el brócoli y la cebolla por 2 minutos. Agregue los camarones con el adobo y saltee por otros 2 minutos adicionales o hasta que los camarones se vuelvan rosados. Agregue los champiñones y los guisantes. Saltee hasta que todo esté caliente.

### CHULETAS DE CERDO CON ARROZ ESPAÑOL

2 a 4 chuletas de cerdo de corte central de una ½ pulgada de espesor  
½ taza de arroz grano largo crudo  
½ cucharadita de chile en polvo  
⅓ taza de cebolla picada  
1 lata (14 ½ onzas) de tomates  
¼ taza de pimienta verde picado enteros

Fije la temperatura del sartén en 350°F. Agregue las chuletas y cocine el primer lado por 5 minutos. Voltee las chuletas, agregue la cebolla y el pimienta verde. Cocine, revuelva los vegetales ocasionalmente por 2 minutos. Reduzca la temperatura a “WARM” (tibio). Agregue el arroz, el chile en polvo y los tomates, y revuelva para mezclar con los vegetales. Cubra y cocine por 25 a 30 minutos, revuelva ocasionalmente.

### POLLO A LA CAZADORA

2 cucharadas de aceite vegetal  
3 a 4 piezas de pollo (muslo, pierna, o pechugas en mitades)  
⅓ taza de pimienta verde  
1 lata (4 onzas) de champiñones en rodajas escurridos  
1 cucharadita de aderezo italiano  
1/3 taza de cebolla picada  
1 hoja de laurel  
Sal y pimienta negra molida al gusto  
1 diente de ajo, picado  
Espagueti caliente cocinado  
1 lata (14 ½ onzas) de tomates u otra pasta  
y picados pelados

Fije la temperatura del sartén en 350°F. Agregue el aceite. Coloque las piezas de pollo, con la piel sobre el sartén. Cocine el pollo hasta que esté dorado en el primer lado, unos 5 minutos. Voltee el pollo. Agregue la cebolla y el ajo alrededor del pollo. Cocine por 3 minutos, o hasta que la cebolla esté cocinada pero no dorada. Reduzca la temperatura a “WARM” (tibio). Agregue los ingredientes restantes, excepto el espagueti. Cubra y cocine por 30 a 40 minutos, o hasta que el pollo esté cocinado. Revuelva la salsa y vierta sobre el pollo ocasionalmente. Sirva el pollo y la salsa sobre el espagueti u otra pasta.

### BISTEC PIMIENTA

2 cucharaditas de granos de pimienta negra  
1 cucharada de mantequilla  
o una mezcla de granos de pimienta negra, o margarina  
verde y rosada  
1 cebolla verde, en rodajas  
½ a ¾-lb. de carne para bistec sin hueso, 3 cucharadas de bourbon  
(1 tira o un bistec de lomo)  
o caldo de res  
3 cucharadas de agua

Coloque los granos de pimienta en una bolsa plástica. Triture los granos de pimienta con un rodillo o mazo. Presione los granos de pimienta triturados de manera uniforme en ambos lados de la carne. Coloque a un lado. Fije la temperatura del sartén en 300°F. Agregue la carne y cocine por 7 minutos por lado para una cocción medio cruda, o hasta el nivel de cocción deseado. Retire la carne del sartén y mantenga tibia. Agregue la mantequilla y la cebolla verde. Sofría, revolviendo por 1 minuto. Combine el bourbon/caldo de carne y agua; vierta sobre la cebolla verde. Deje cocinar, revolviendo constantemente, unos 2 minutos o hasta que la salsa se haya espesado ligeramente. Corte la carne en porciones de servir. Regrese la carne al sartén y sirva la salsa sobre la carne. Caliente por 1 minuto. Sirva la carne con la salsa por encima.

## ***Garantía Limitada de 1 Año***

Sunbeam Products, Inc. operando bajo el nombre de Jarden Consumer Solutions, o en Canadá, Sunbeam Corporation (Canada) Limited operando bajo el nombre de Jarden Consumer Solutions, (en forma conjunta, “JCS”), garantiza que por un período de un año a partir de la fecha de compra, este producto estará libre de defectos de materiales y mano de obra. JCS, a su elección, reparará o reemplazará este producto o cualquier componente del mismo que presente defectos durante el período de garantía. El reemplazo se realizará por un producto o componente nuevo o reparado. Si el producto ya no estuviera disponible, se lo reemplazará por un producto similar de valor igual o superior. Ésta es su garantía exclusiva. No intente reparar o ajustar ninguna función eléctrica o mecánica de este producto. Al hacerlo eliminará ésta garantía.

La garantía es válida para el comprador minorista original a partir de la fecha de compra inicial y la misma no es transferible. Conserve el recibo de compra original. Para solicitar servicio en garantía se requiere presentar un recibo de compra. Los agentes y centros de servicio de JCS o las tiendas minoristas que venden productos de JCS no tienen derecho a alterar, modificar ni cambiar de ningún otro modo los términos y las condiciones de esta garantía.

Esta garantía no cubre el desgaste normal de las piezas ni los daños que se produzcan como resultado de uso negligente o mal uso del producto, uso de voltaje incorrecto o corriente inapropiada, uso contrario a las instrucciones operativas, y desarme, reparación o alteración por parte de un tercero ajeno a JCS o a un Centro de Servicio autorizado por JCS. Asimismo, la garantía no cubre actos fortuitos tales como incendios, inundaciones, huracanes y tornados.

### **¿Cuál es el límite de responsabilidad de JCS?**

JCS no será responsable de daños incidentales o emergentes causados por el incumplimiento de alguna garantía o condición expresa, implícita o legal.

Excepto en la medida en que lo prohíba la ley aplicable, cualquier garantía o condición implícita de comerciabilidad o aptitud para un fin determinado se limita, en cuanto a su duración, al plazo de la garantía antes mencionada.

JCS queda exenta de toda otra garantías, condiciones o manifestaciones, expresa, implícita, legal o de cualquier otra naturaleza.

JCS no será responsable de ningún tipo de daño que resulte de la compra, uso o mal uso del producto, o por la imposibilidad de usar el producto, incluidos los daños incidentales, especiales, emergentes o similares, o la pérdida de ganancias, ni de ningún incumplimiento contractual, sea de una obligación esencial o de otra naturaleza, ni de ningún reclamo iniciado contra el comprador por un tercero.

Algunas provincias, estados o jurisdicciones no permiten la exclusión o limitación de los daños incidentales o emergentes ni las limitaciones a la duración de las garantías implícitas, de modo que es posible que la exclusión o las limitaciones antes mencionadas no se apliquen en su caso.

Esta garantía le otorga derechos legales específicos y es posible que usted tenga otros derechos que varían de un estado, provincia o jurisdicción a otro.

### **Cómo solicitar el servicio en garantía**

#### **En los Estados Unidos**

Si tiene alguna pregunta sobre esta garantía o desea recibir servicio de garantía, llame al 1-800-334-0759 y podrá obtener la dirección del centro de servicio que le resulte más conveniente.

#### **En Canadá**

Si tiene alguna pregunta sobre esta garantía o desea recibir servicio de garantía, llame al 1-800-667-8623 y podrá obtener la dirección del centro de servicio que le resulte más conveniente.

En los Estados Unidos, esta garantía es ofrecida por Sunbeam Products, Inc. operando bajo el nombre de Jarden Consumer Solutions, Boca Ratón, Florida 33431. En Canadá, esta garantía es ofrecida por Sunbeam Corporation (Canada) Limited operando bajo el nombre de Jarden Consumer Solutions, 20 B Hereford Street, Brampton, Ontario L6Y 0M1. Si usted tiene otro problema o reclamo en conexión con este producto, por favor escriba al Departamento de Servicio al Consumidor.

**FAVOR NO DEVUELVA ESTE PRODUCTO A NINGUNA DE ESTAS DIRECCIONES NI AL LUGAR DE COMPRA.**