



INSTALLATION INSTRUCTIONS FOR PART 99-6510

APPLICATIONS

Chrysler

300	2005-2007
Aspen	2007

Dodge

Caliber	2007-2008
Charger	2005-2007
Durango	2005-2007
Magnum	2005-2007
Ram 1500	2006-2008
Ram 2500/3500	2006-2008

Jeep

Commander	2006-2007
Compass	2007-2008
Grand Cherokee	2005-2007
Patriot	2007-2008

Designed For Vehicles With Factory Navigation Radios

Using this kit in vehicles without factory navigation requires the purchase of a factory navigation radio trim panel from your local Chrysler, Dodge or Jeep parts department.

99-6510

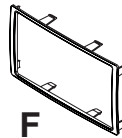
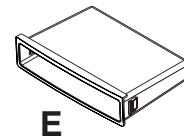
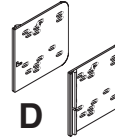
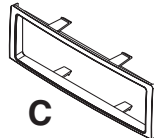
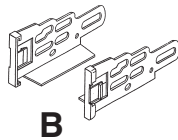
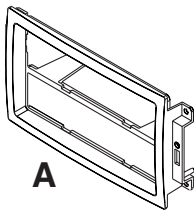
KIT FEATURES

- DIN Radio Provision with Pocket
- ISO DIN Radio Provision with Pocket
- Double DIN Radio Provision
- Stacked ISO Units Provision



KIT COMPONENTS

A) Radio Housing • B) ISO Brackets • C) ISO Trim Plate • D) Double DIN Brackets • E) Pocket • F) Double DIN Trim Plate



WIRING AND ANTENNA CONNECTIONS (Sold Separately)

Wiring Harness:

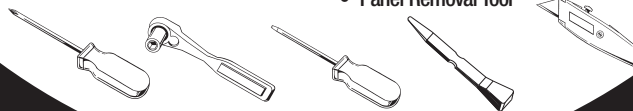
- XSVI-6502-NAV - Chrysler CAN R.A.P. interface 2004-up
- CHT0-01 - Chrysler CAN amp interface 2004-up

Antenna Adapter:

- 40-CR10 - Chrysler antenna adapter 2004-up

TOOLS REQUIRED:

- Phillips Screwdriver • Socket Wrench • Small Flat Blade Screwdriver or
- Cutting Tool • Panel Removal Tool



1-800-221-0932



www.metraonline.com

© COPYRIGHT 2004-2009 METRA ELECTRONICS CORPORATION

TABLE OF CONTENTS

Dash Disassembly

- Chrysler Aspen 2007	1
- Dodge Durango 2005-2007	1
- Dodge Charger 2005-2007	2
- Dodge Magnum 2005-2007	2
- Chrysler 300 2005-2007.....	3
- Dodge Ram 2006-08 (Without Center Console)	4
- Dodge Ram 2006-08 (With Mini Center Console)	5
- Dodge Ram 2006-08 (With Full Center Console)	6
- Dodge Ram 2500/3500 2006-2008	4,5,6
- Jeep Grand Cherokee 2005-2007	7
- Jeep Compass 2007-2008	8
- Dodge Caliber 2007-2008	8
- Jeep Patriot 2007-2008	8
- Jeep Commander 2007	9

Kit Assembly

- DIN Radio Provision with Pocket	10
- ISO Radio Provision with Pocket	11
- Double DIN Radio Provision	12
- Stacked ISO Units Provision	13

<u>Final Assembly</u>	14
-----------------------------	----



KNOWLEDGE IS POWER

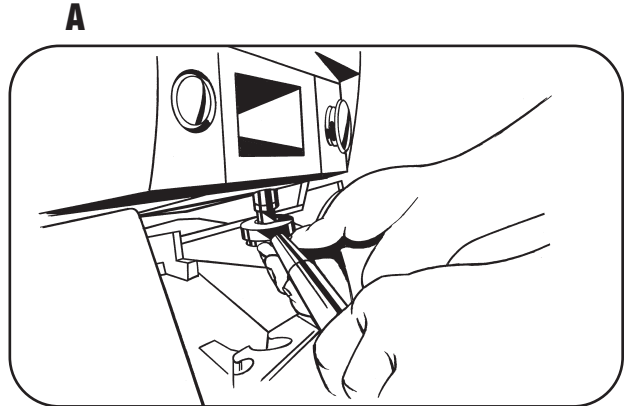
Enhance your installation and fabrication skills by enrolling in the most recognized and respected mobile electronics school in our industry. Log onto www.installerinstitute.com or call 800-354-6782 for more information and take steps toward a better tomorrow.

CHRYSLER ASPEN 2007

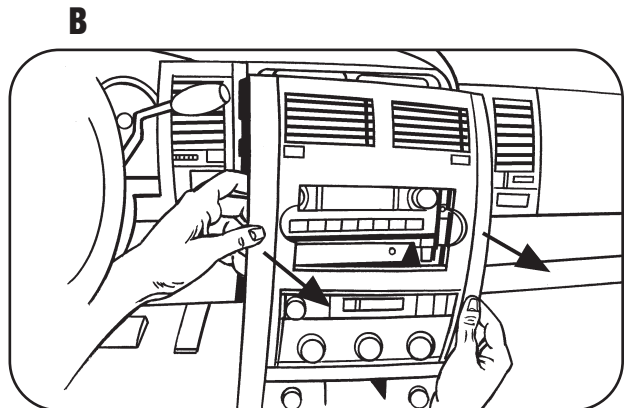
DODGE DURANGO 2005-2007

1 Disconnect the negative battery terminal to prevent an accidental short circuit.

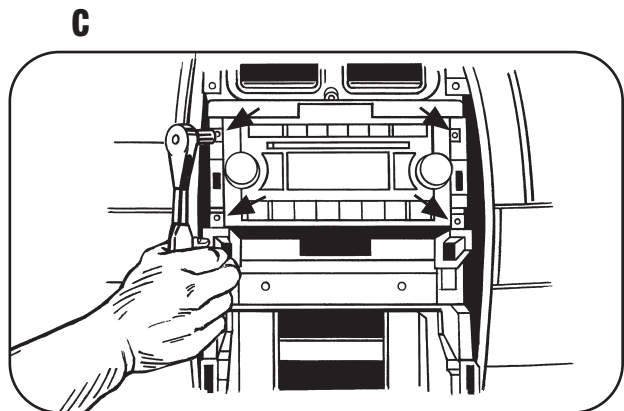
2 Remove (2) 7MM screws from the inside of the pocket facing upward. (**Figure A**)



3 Unclip and remove the entire trim panel surrounding the radio and climate controls. (**Figure B**)



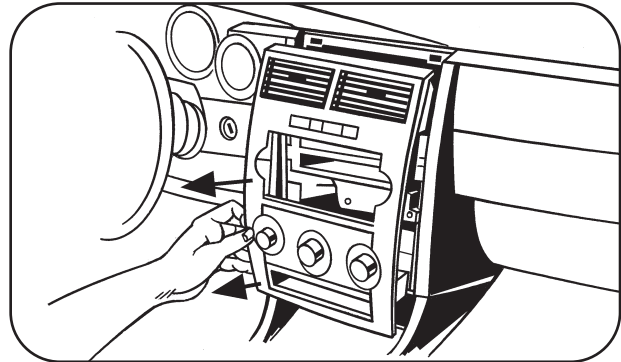
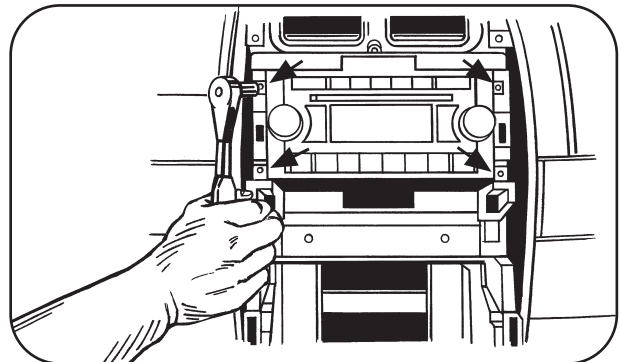
4 Remove (4) 7MM screws securing radio to dash and remove radio. (**Figure C**)



5 Continue to kit assembly.

DODGE CHARGER 2005-2007**DODGE MAGNUM 2005-2007**

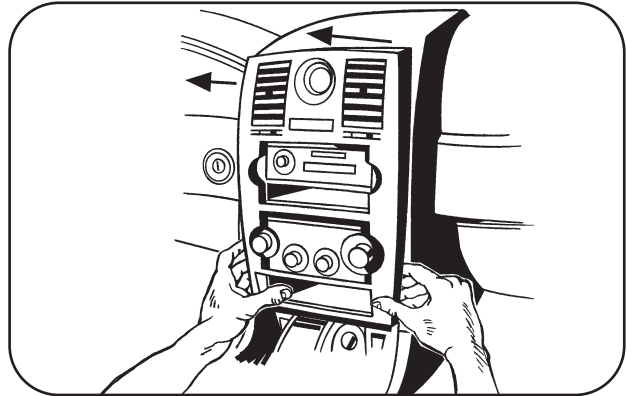
- 1** Disconnect the negative battery terminal to prevent an accidental short circuit.
- 2** Unclip and remove entire panel surrounding radio and climate controls, including a/c vents. (**Figure A**)
- 3** Remove (4) 7MM screws securing radio to dash and remove radio. (**Figure B**)
- 4** Continue to kit assembly.

A**B**

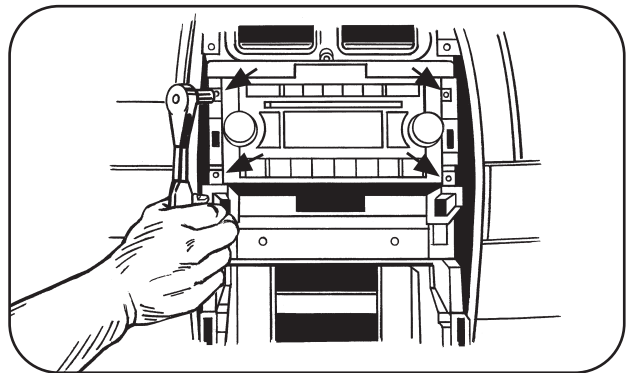
CHRYSLER 300 2005-2007

- 1** Disconnect the negative battery terminal to prevent an accidental short circuit.
- 2** Unclip and remove entire panel surrounding radio and climate controls, including a/c vents and clock. **(Figure A)**
- 3** Remove (4) 7MM screws securing radio to dash and remove radio. **(Figure B)**
- 4** Continue to kit assembly.

A

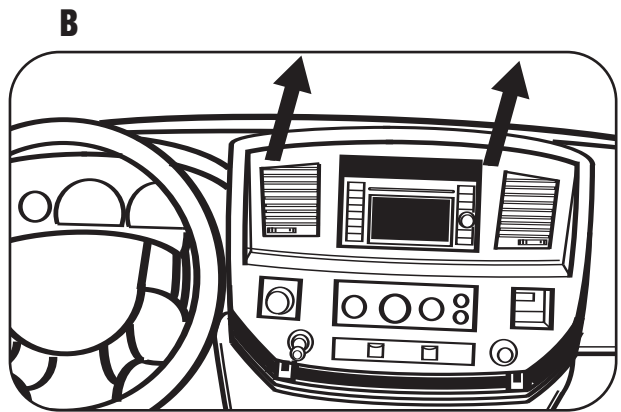
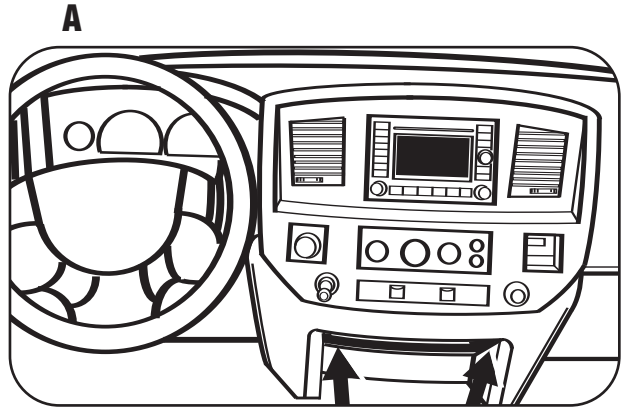


B



DODGE RAM 1500 2006-2008
WITHOUT CENTER CONSOLE
RAM 2500/3500 2006-2008

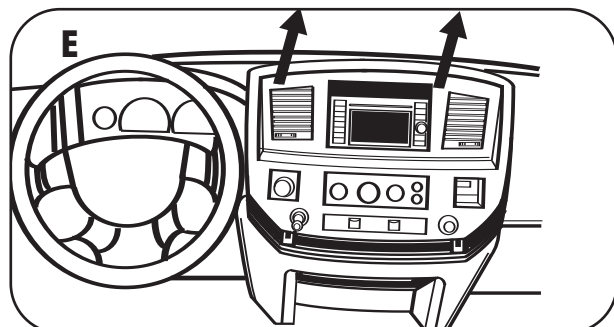
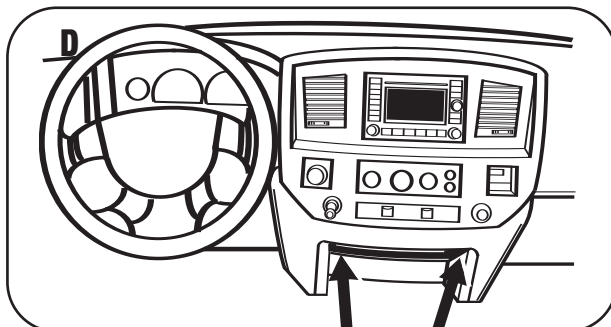
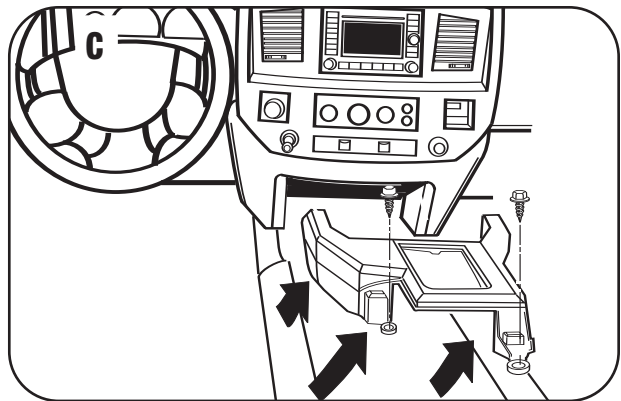
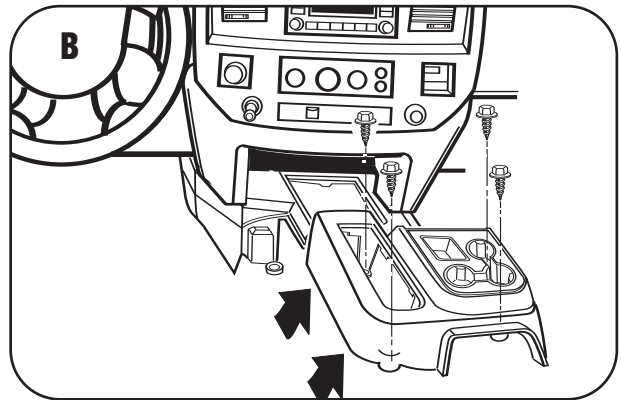
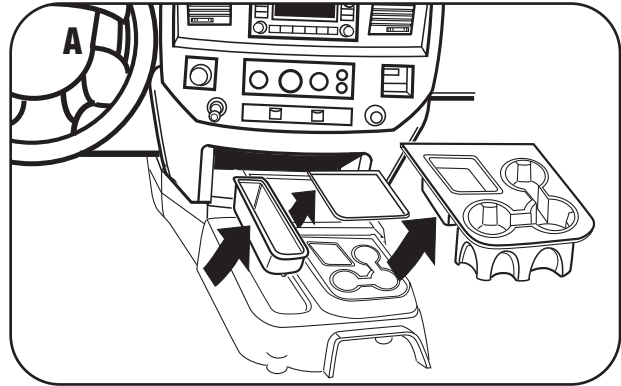
- 1** Disconnect the negative battery terminal to prevent an accidental short circuit.
- 2** Open cup holder and remove (2) Phillips screws facing up on front edge of radio/climate control panel. (**Figure A**)
- 3** Unclip and remove entire panel surrounding radio and climate controls, including a/c vents. (**Figure B**)
- 4** Remove (4) 7MM screws securing radio to dash and remove radio.
- 5** Continue to kit assembly.



DODGE RAM 1500 2006-2008 WITH MINI CENTER CONSOLE RAM 2500/3500 2006-2008

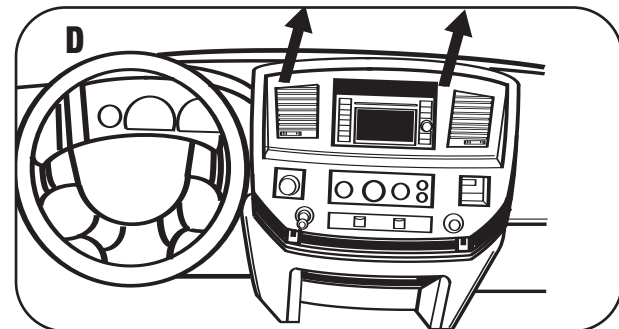
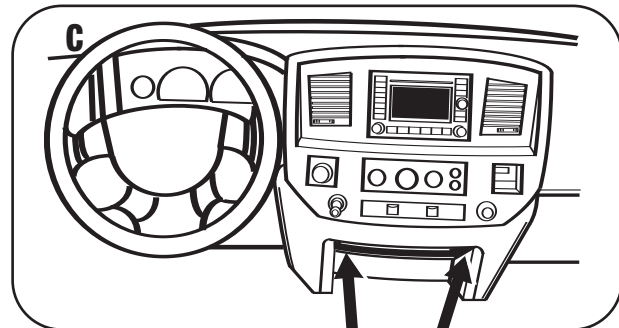
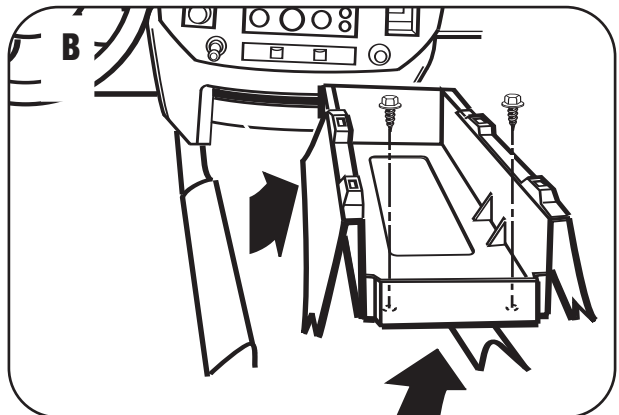
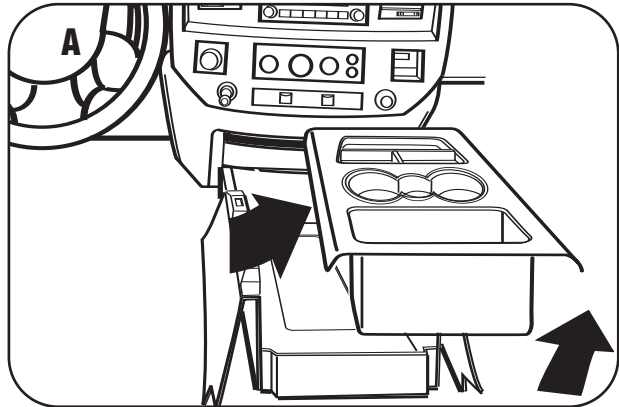
- 1** Disconnect the negative battery terminal to prevent an accidental short circuit.
- 2** If vehicle has floor shifter, remove shifter knob.
- 3** Remove center console inserts, if present. **(Figure A)**
- 4** Remove screws securing the rear center console to the floor panel. Lift up on the rear center console to clear the gear shift lever, if present. **(Figure B)**
- 5** Remove screws securing the front center console to the floor panel. Unclip and remove the front center console. **(Figure C)**
- 6** Loosen two 8 mm screws at bottom of dash. Unsnap lower panel.
- 7** Remove (2) Phillips screws facing up on front edge of radio/climate control panel. **(Figure D)**
- 8** Unclip and remove entire panel surrounding radio and climate controls, including a/c vents. **(Figure E)**
- 9** Remove (4) 7MM screws securing radio to dash and remove radio.

Continue to kit assembly.



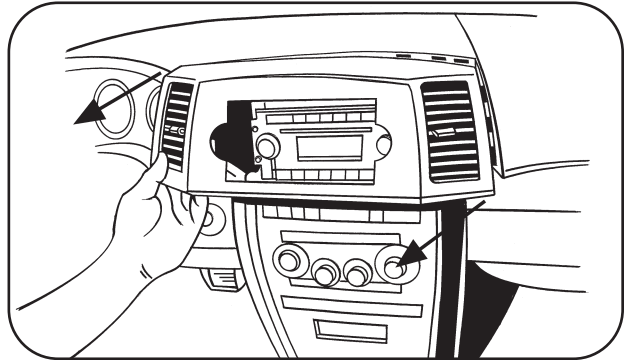
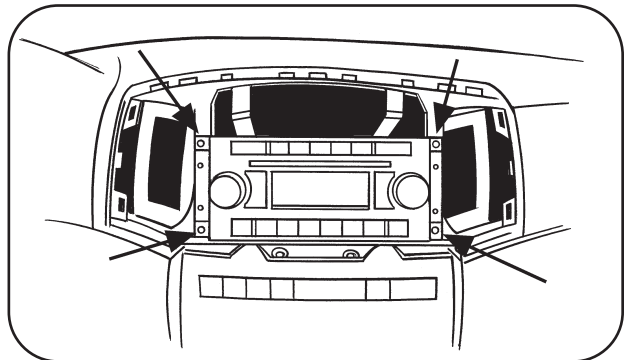
DODGE RAM 1500 2006-2008
WITH FULL CENTER CONSOLE
RAM 2500/3500 2006-2008

- 1** Disconnect the negative battery terminal to prevent an accidental short circuit.
- 2** If vehicle has floor shifter, remove shifter knob.
- 3** Unsnap and remove console front top cover (closest to the dash). **(Figure A)**
- 4** Remove two 8 mm screws from under console cover (previously removed). Remove front section of console. **(Figure B)**
- 5** Loosen two 8 mm screws at bottom of dash. Unsnap lower panel.
- 6** Remove (2) Phillips screws facing up on front edge of radio/climate control panel. **(Figure C)**
- 7** Unclip and remove entire panel surrounding radio and climate controls, including a/c vents. **(Figure D)**
- 8** Remove (4) 7MM screws securing radio to dash and remove radio.
- 9** Continue to kit assembly.



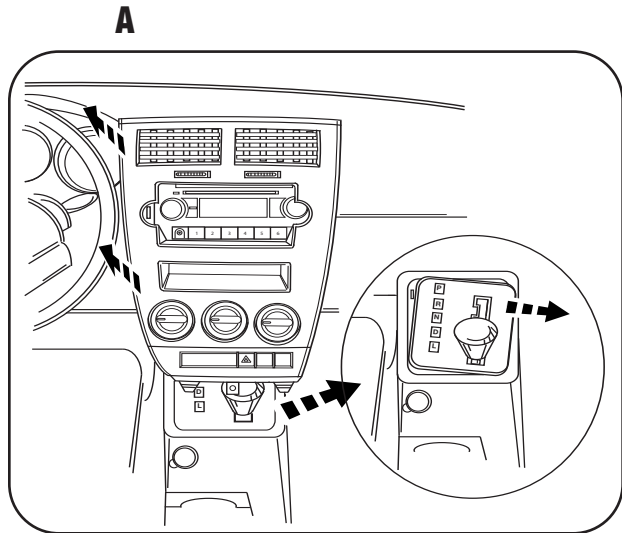
JEEP GRAND CHEROKEE 2005-2007

- 1** Disconnect the negative battery terminal to prevent an accidental short circuit.
- 2** Unsnap and remove panel from around radio including the vent on each side. **(Figure A)**
- 3** Remove (4) 7MM screws securing radio to dash and remove radio. **(Figure B)**
- 4** Continue to kit assembly.

A

B


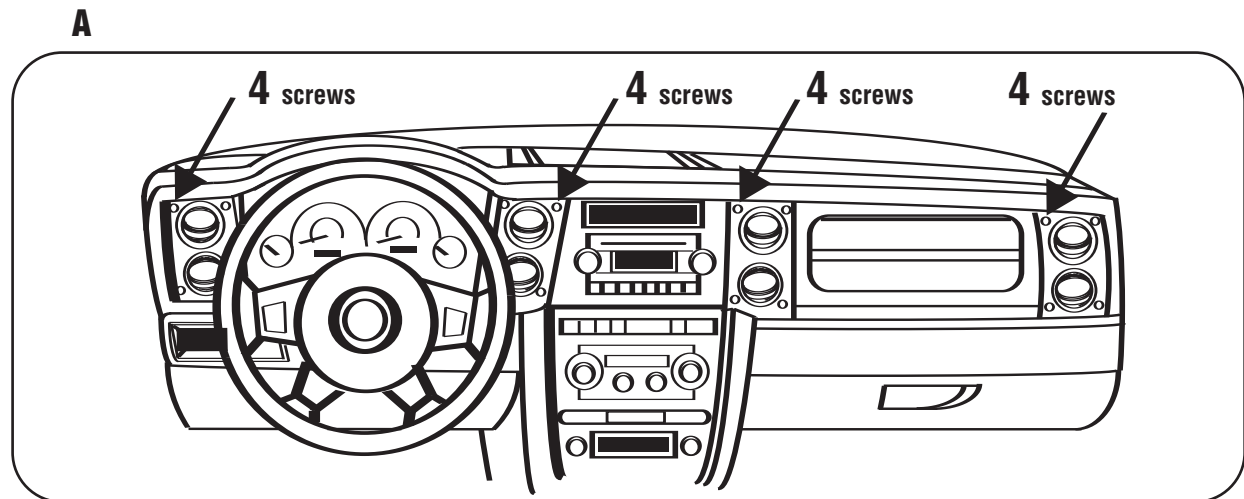
DODGE CALIBER 2007-2008
JEEP COMPASS 2007-2008
JEEP PATRIOT 2007-2008

- 1** Disconnect the negative battery terminal to prevent an accidental short circuit.
- 2** Unsnap and move shifter trim to the side. **(Figure A)**
- 3** (Compass and Patriot only) Unsnap and remove top center dash panel above AC vents.
- 4** Unsnap center dash trim panel (do not remove until climate controls are removed). **(Figure A)**
- 5** Remove (4) Phillips screws holding climate control panel to backside of the center dash panel.
- 6** Remove (4) 7MM screws securing radio. Unplug and remove radio.
- 7** Continue to kit assembly.

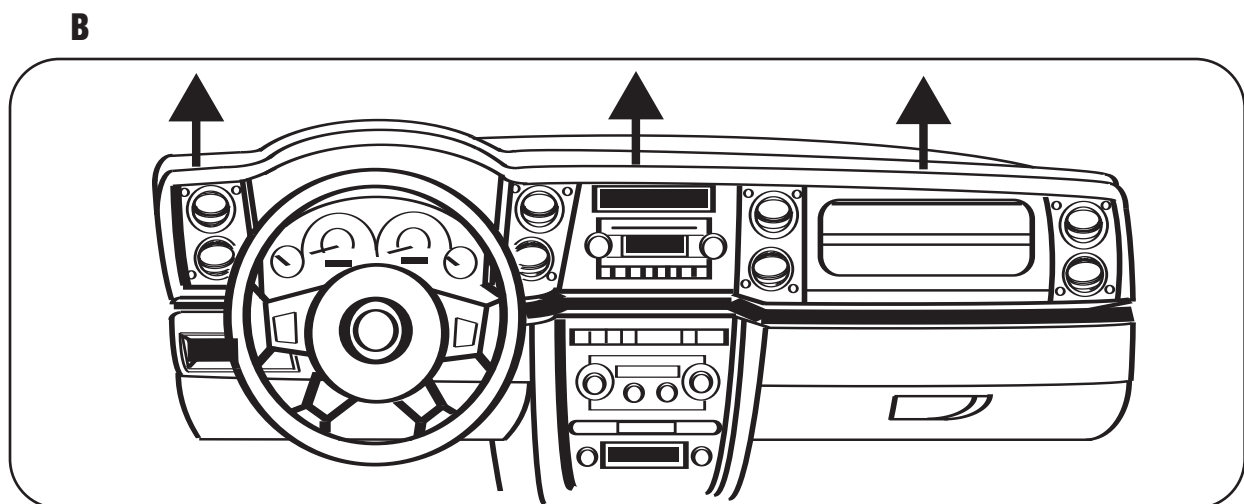


JEEP COMMANDER 2006-2007

- 1 Disconnect the negative battery terminal to prevent an accidental short circuit.
- 2 Remove the (16) screws securing the radio trim panel. **(Figure A)**



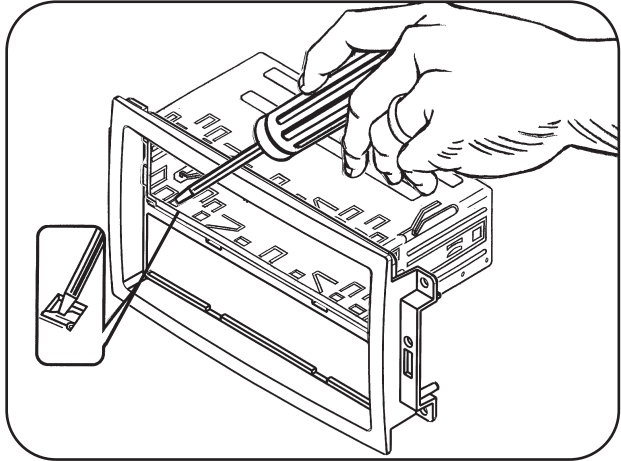
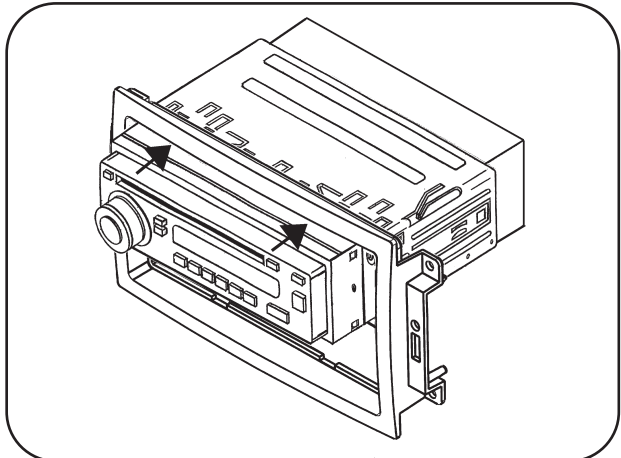
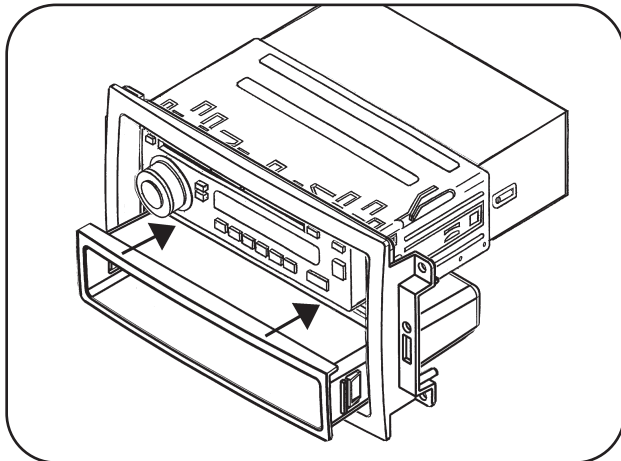
- 3 Unclip and remove the entire radio trim panel. **(Figure B)**



- 4 Remove (4) 7MM screws securing radio to dash and remove radio.
- 5 Continue to kit assembly.

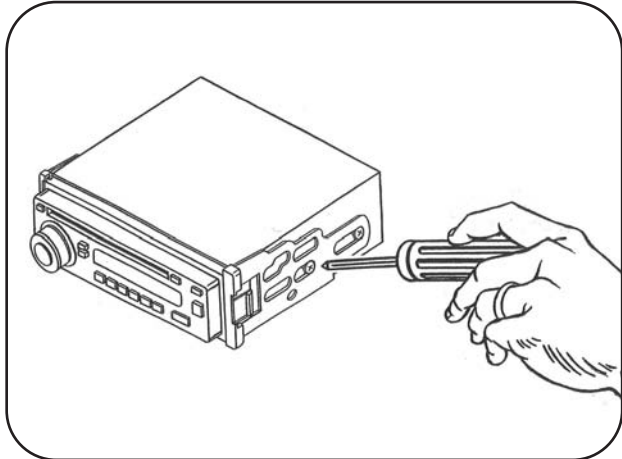
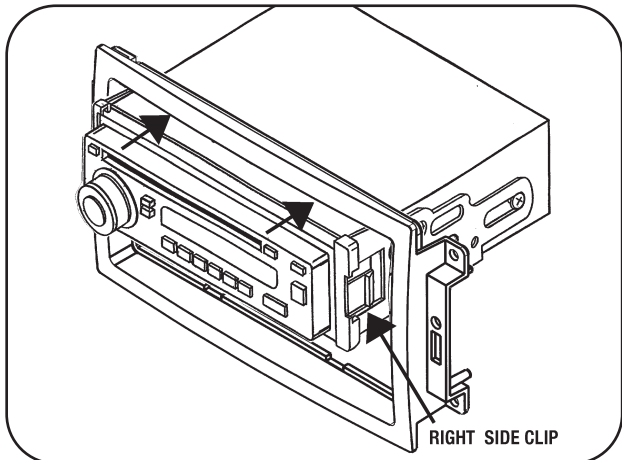
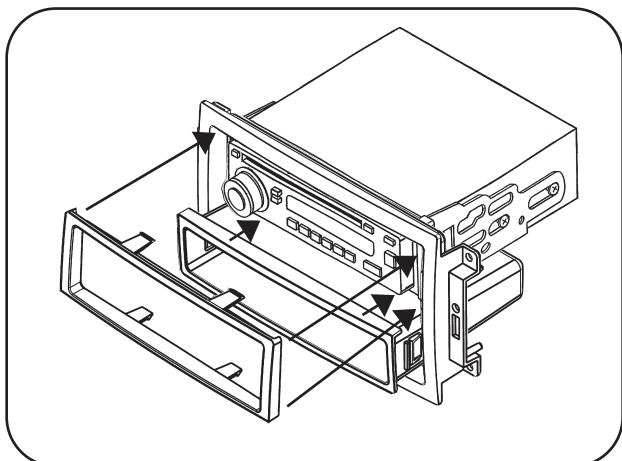
DIN RADIO PROVISION WITH POCKET

- 1** Slide the DIN cage into the radio housing and secure by bending the metal locking tabs down. (Figure A)
- 2** Slide the aftermarket radio into the cage until secure. (Figure B)
- 3** Snap the pocket into the radio housing. (Figure C)
- 4** Continue to final assembly.

A**B****C**

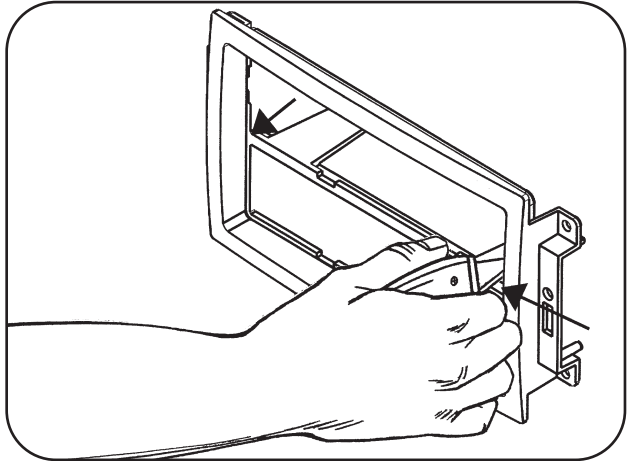
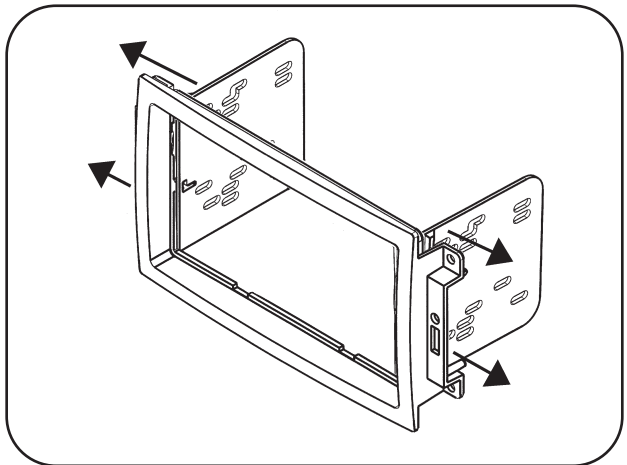
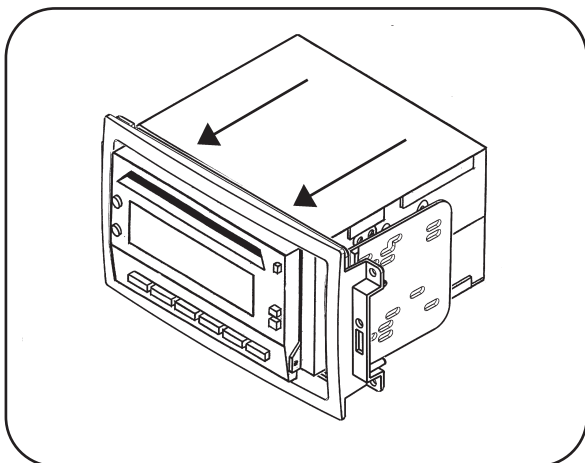
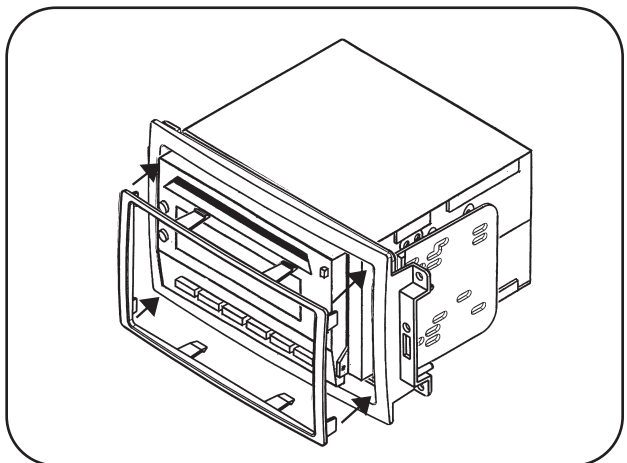
ISO RADIO PROVISION WITH POCKET

- 1** Mount the ISO Brackets to the radio with the screws supplied with the unit. (Figure A)
- 2** Slide the radio into the radio opening until the side clips engage. (Figure B)
- 3** Snap the ISO Trim Plate into the radio housing. (Figure C)
- 4** Snap the pocket into the radio housing. (Figure C)
- 5** Continue to final assembly.

A

B

C


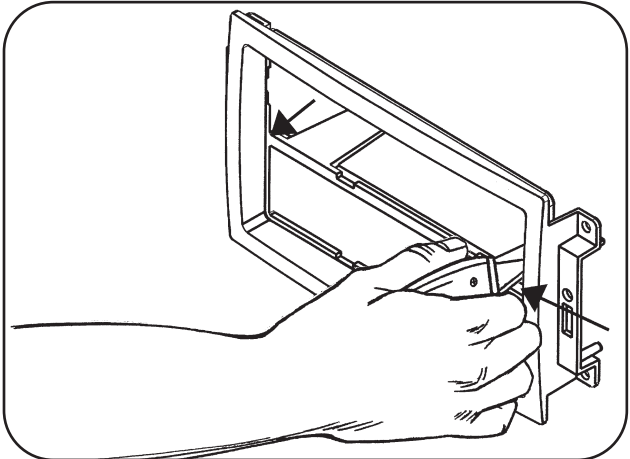
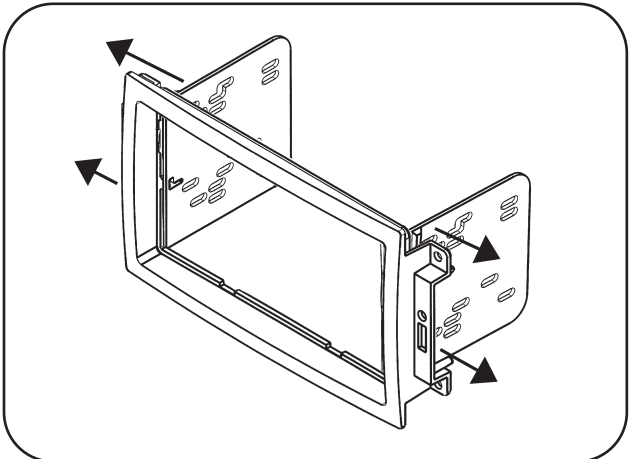
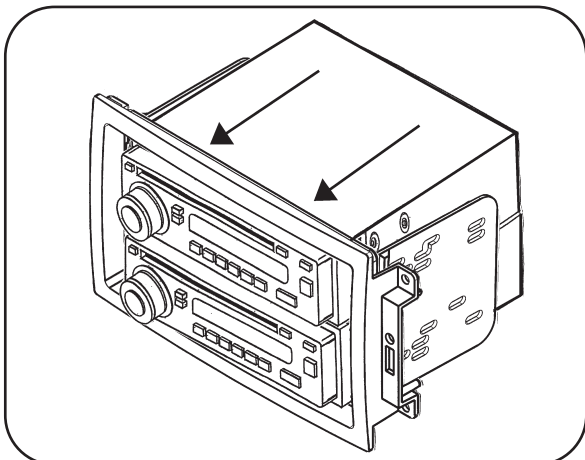
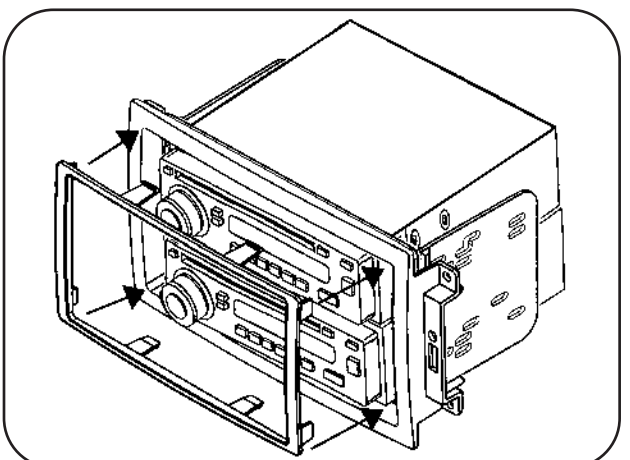
DOUBLE DIN RADIO PROVISION

- 1** Cut and remove center divider in radio housing. (Figure A)
- 2** Snap the DDIN brackets to the inside edge of the radio housing. (Figure B)
- 3** Slide the DDIN radio unit into the DDIN bracket/radio housing assembly and secure the radio unit to the kit using the screws supplied with the radio unit. (Figure C)
- 4** Snap the DDIN trim-plate onto the housing/radio assembly. (Figure D)
- 5** Continue to final assembly.

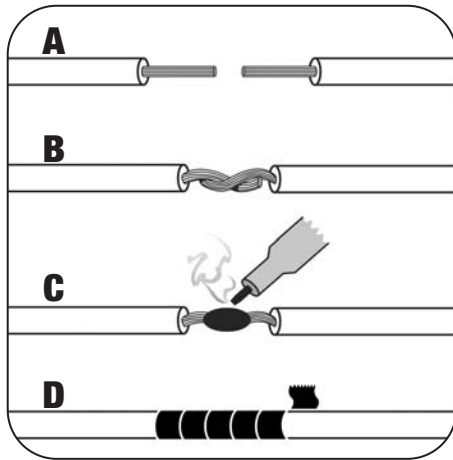
A

B

C

D


STACKED ISO UNITS PROVISION

- 1** Cut and remove center divider in radio housing. (Figure A)
- 2** Snap the DDIN brackets to the inside edge of the radio housing. (Figure B)
- 3** Slide the stacked ISO DIN radio units into the DDIN bracket/radio housing assembly and secure the unit to the kit using the screws supplied with the units. (Figure C)
- 4** Snap the DDIN trim-plate onto the housing/radio assembly. (Figure D)
- 5** Continue to final assembly.

A

B

C

D


FINAL ASSEMBLY



- A) Strip wire ends back 1/2"**
- B) Twist ends together**
- C) Solder**
- D) Tape**

- 1** Locate the factory wiring harness in the dash. Metra recommends using the proper mating adapter and making connections as shown. (Isolate and individually tape off the ends of any unused wires to prevent electrical short circuit.)
- 2** Re-connect the negative battery terminal and test the unit for proper operation.
- 3** Reassemble radio and dash assemblies in reverse order of disassembly.

FINAL WIRING CONNECTIONS

Make wiring connections using the EIA color code chart shown below and the instructions included with the head unit. Metra recommends making connections as shown below; Strip, Splice, Solder, Tape. Isolate and individually tape off ends of any unused wires to prevent electrical short circuit.

METRA / EIA WIRING CODE

12V Ignition / Acc . . . Red	Dimmer Orange / White
12V Batt / Memory . . Yellow	Right Front (+) White
Ground Black*	Left Front (-) White / Black
Power Antenna Blue	Right Rear (+) Violet
Amp Turn-On Blue / White	Right Rear (-) Violet / Black
Amp Ground Black / White	Left Rear (+) Green
Illumination Orange	Left Rear (-) Green / Black

***NOTE:** When Black a wire is not present, ground radio to vehicle chassis. All colors may not be present on all leads due to manufacturer's specifications.



1-800-221-0932



www.metraonline.com