



INSTALLATION INSTRUCTIONS FOR PART 98-7499

Applications

**NISSAN MODELS WITH
STACKED-DIN SYSTEMS
(EXCLUDING QUEST)**

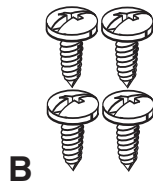
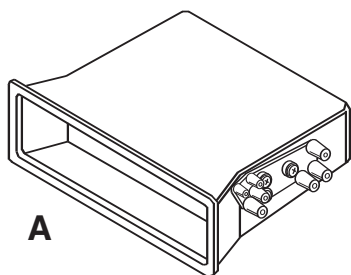
**98-7499
INSTALLATION
INSTRUCTIONS**

KIT FEATURES

- Holds Three CD Jewel Cases

KIT COMPONENTS

- A) Pocket • B) (4) #8 X 1/4" Phillip Screws



INSTALLATION INSTRUCTIONS FOR PART 98-7499

Applications

**NISSAN MODELS WITH
STACKED-DIN SYSTEMS
(EXCLUDING QUEST)**

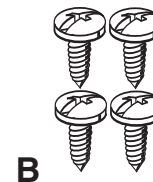
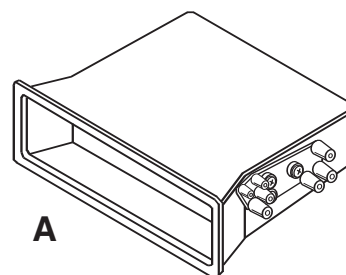
**98-7499
INSTALLATION
INSTRUCTIONS**

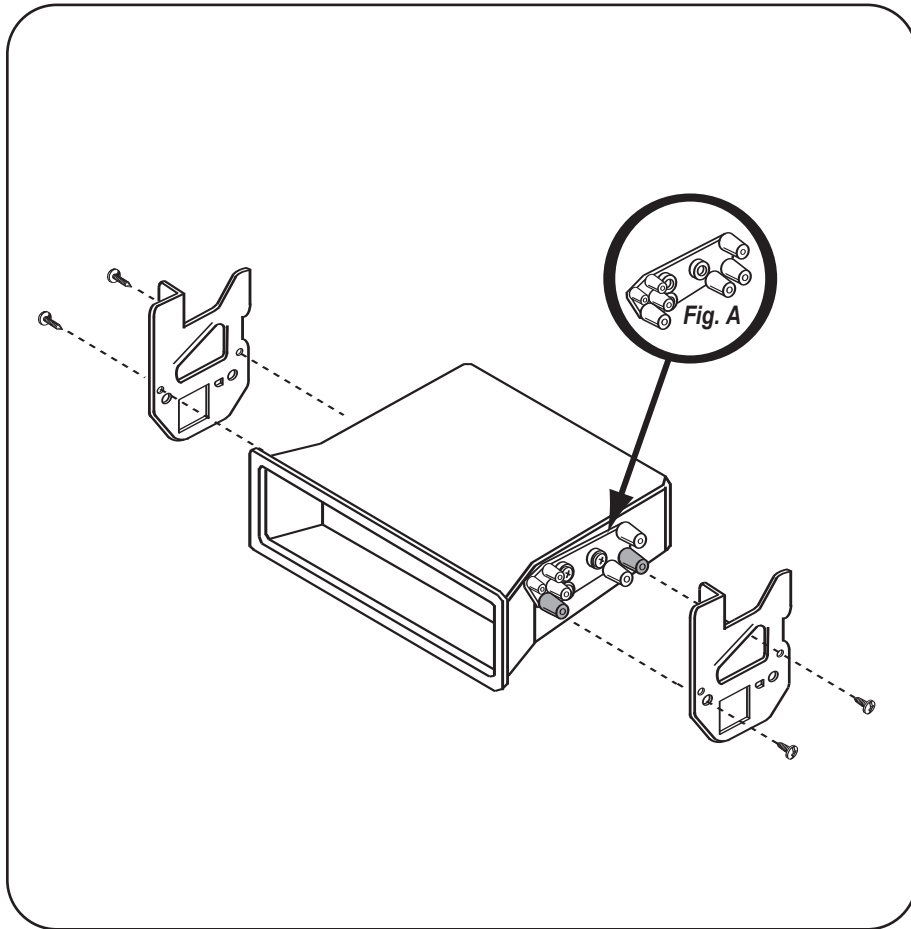
KIT FEATURES

- Holds Three CD Jewel Cases

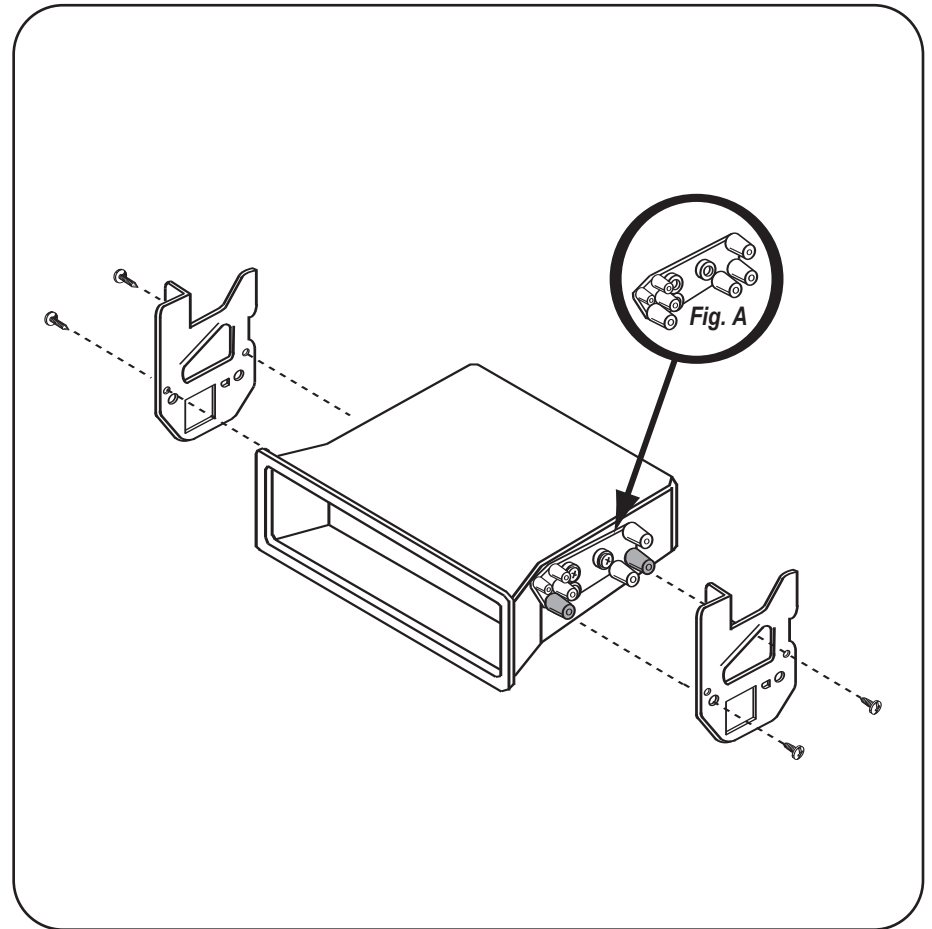
KIT COMPONENTS

- A) Pocket • B) (4) #8 X 1/4" Phillip Screws



ALL VEHICLES

Mount the factory brackets to the *shaded bosses* (Fig A) with **(4) #8 x 1/4" Phillip** screws supplied and mount the entire assembly to the sub-dash.

ALL VEHICLES

Mount the factory brackets to the *shaded bosses* (Fig A) with **(4) #8 x 1/4" Phillip** screws supplied and mount the entire assembly to the sub-dash.

**KNOWLEDGE IS POWER**

Enhance your installation and fabrication skills by enrolling in the most recognized and respected mobile electronics school in our industry.
Log onto www.installerinstitute.com or call 800-354-6782 for more information and take steps toward a better tomorrow.

**KNOWLEDGE IS POWER**

Enhance your installation and fabrication skills by enrolling in the most recognized and respected mobile electronics school in our industry.
Log onto www.installerinstitute.com or call 800-354-6782 for more information and take steps toward a better tomorrow.