

EZ View : 4Ch Real-time DVR *Plug & Secure!*

SHR-1041K *NEW*

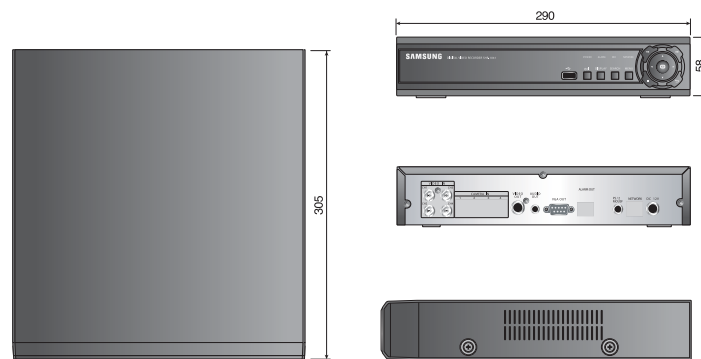


Features

- Simple & Easy Installation
- Easy Backup (USB 2.0) & Easy User Interface
- Easy Connectivity with Any Monitor & TV (VGA, Composite)
- Dynamic Quad View: Single, Quad, Sequence
- Motion Detection
- Functional Cameras: Weather Resistant & Night Vision
- Eco-Friendly Compliance (ROHS)
- User Friendly Web Viewer

Dimensions (unit:mm)

SHR-1041K



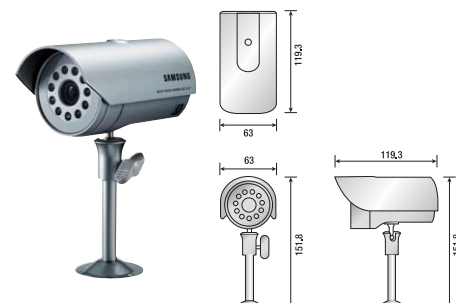
Weather Resistant Camera : SOC-C120



Night Vision Camera : SOC-N120



Night Vision Camera(Metal) : SOC-N121



Specifications

Model	SHR-1041K
Video Input	4 Camera Inputs (RJ11 4EA, BNC 4EA)
Video Output	1 Composite Video Output(BNC), 1 VGA Main Monitor Output
Audio	MIC 4 Inputs (RJ11), 1 Output (RCA)
Main Display	120CIF/sec(NTSC), 100CIF/sec(PAL) 1/4/Sequential
Motion Detection	10 step sensitivity
Alarm Input	4 Alarm Inputs(RJ11)
Alarm Output	1 Alarm Outputs(Relay), Normally Open or Normally Closed Programmable
PTZ	1 RS-485
User Interface	English, French, and Spanish GUI with full mouse operation Keypad, Remote controller
Recording	MEPG-4(half-pel motion vector), G.711(64Kbps) NTSC : Max 120FPS(CIF), 60FPS(Half D1), 30FPS(D1) PAL : Max 100FPS(CIF), 50FPS(Half D1), 25FPS(D1) Channel independent recording setup for resolution, frame rate and quality Mode : Simple, Advanced(Manual, Motion, Alarm, Schedule, Panic) Schedule : 24 different recording configuration is possible in a day Various Video Quality (Highest/ High/ Standard/ Low) Pre-recording (max 5 sec)
Play Back	Search mode : Calendar/Timeline, Event/Log x1, x2, x4, x8, x16, x32, x64 1 / 4 multi screen playback
Performance	Triplex (Playback, Recording, Network)
Archiving	USB interfaced storage, Watermark
Time	GMT time zone, Auto DST, NTP support
System	Embedded Linux, Watch dog, Abnormal shutdown detection System auto recovery User group : admin, manager, guest F/W upgrade : USB
Network	RJ45, 10/100Mbps Up to 4 connection simultaneously DHCP, DDNS Bandwidth Management
Remote Client	Web Viewer
Storage	1 SATA up to 2 terabyte of internal storage Format / Write once / Overwriting
Event	Sensor / Motion / Video Loss / HDD failure Triggers recording, alarm out, e-mail notification, buzzer, video popup or log
Interface	1 High speed USB2.0 port (front) 1 RJ-45, 1 RS-485, 1 PS/2
Power	DC 12V / 4A Adaptor
Operating Temperature	0°C ~ 40°C (32°F ~ 104°F)
Dimension	280mm(W) x 305mm(D) x 60mm(H)
Camera Cable Length	100ft Guaranteed

Model	SOC-C120	SOC-N120
Power Source	DC 12V	
Broadcasting	NTSC	
Image Device	1/4 Inch IT S-HAD CCD	
Effective Pixels	525 lines	
Scanning Method	20 interlace	
Line Frequency	Horizontal : 15,734hz, Vertical 60hz	
Weather Resist	IP-42	
Synchronization	INT	
Resolution	320 TV Lines	
S/N Ratio	42db	
Min. Scene	2LUX	
Illumination		
Electronic Shutter	ELC	
Signal Output	Composite Video RJ11	
Lens	Focal Lengt:3.9mm Aperture(f):2.0	
Operating Temperature	0 ~ 40°C	
Operating Humidity	~ 90%	
Dimension	57(W) x 47.2(H) x 100.5(L)mm / 2.25(W) x 1.86(H) x 3.95(L)inch	
Weight	130g	
Light Condition		Light Sensor Auto Switching IR LED Control