



## INSTALLATION INSTRUCTIONS FOR PART 95-3304

### APPLICATIONS

See application list inside

# GM multi-kit 2005-up 95-3304

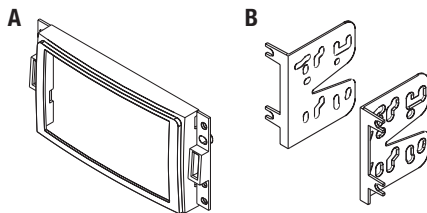
### KIT FEATURES

- Double DIN radio provision
- Stacked ISO DIN head unit provision



### KIT COMPONENTS

- A) Trim Plate • B) Brackets



### WIRING & ANTENNA CONNECTIONS (Sold Separately)

Wiring Harness:

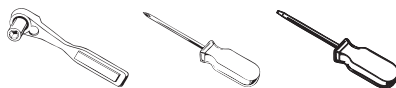
- GMOS-01 GM Onstar and chime harness 2002-up
- GMOS-04 GM Onstar and chime and amp harness 2002-up

Antenna Adapter:

- 40-GM10 GM antenna adapter 1988-up

### TOOLS REQUIRED

Socket Wrench • Phillips Screwdriver • Small Flat Blade Screwdriver



**METRA. THE WORLD'S BEST KITS.™**



**1-800-221-0932**



**metraonline.com**

© COPYRIGHT 2004-2011 METRA ELECTRONICS CORPORATION



95-3304

## Applications

### Buick

Terraza 2005-2008

### Chevrolet

Corvette 2005-up

Uplander 2005-2008

### Hummer

H3 2006-2010

### Pontiac

Montana (SV6 only) 2005-2007

### Saturn

Relay 2005-2007

## Table of Contents

### Dash Disassembly

– Buick Terraza 2005-2008 .....	3
– Chevrolet Uplander 2005-2008 .....	3
– Pontiac Montana SV6 2005-2007.....	3
– Saturn Relay 2005-2007.....	3
– Chevrolet Corvette 2005-up.....	4
– Hummer H3 2006-2010 .....	5

### Kit Assembly

– DDIN head unit provision .....	6
– Stacked ISO DIN head unit provision .....	7

### Caution

**Metra recommends disconnecting the negative battery terminal before beginning any installation. All accessories, switches, and especially air bag indicator lights must be plugged in before reconnecting the battery or cycling the ignition.**

**\*NOTE: Refer also to the instructions included with the aftermarket radio.**



### KNOWLEDGE IS POWER

Enhance your installation and fabrication skills by enrolling in the most recognized and respected mobile electronics school in our industry. Log onto [www.installerinstitute.com](http://www.installerinstitute.com) or call 800-354-6782 for more information and take steps toward a better tomorrow.



**Metra recommends MECP certified technicians**

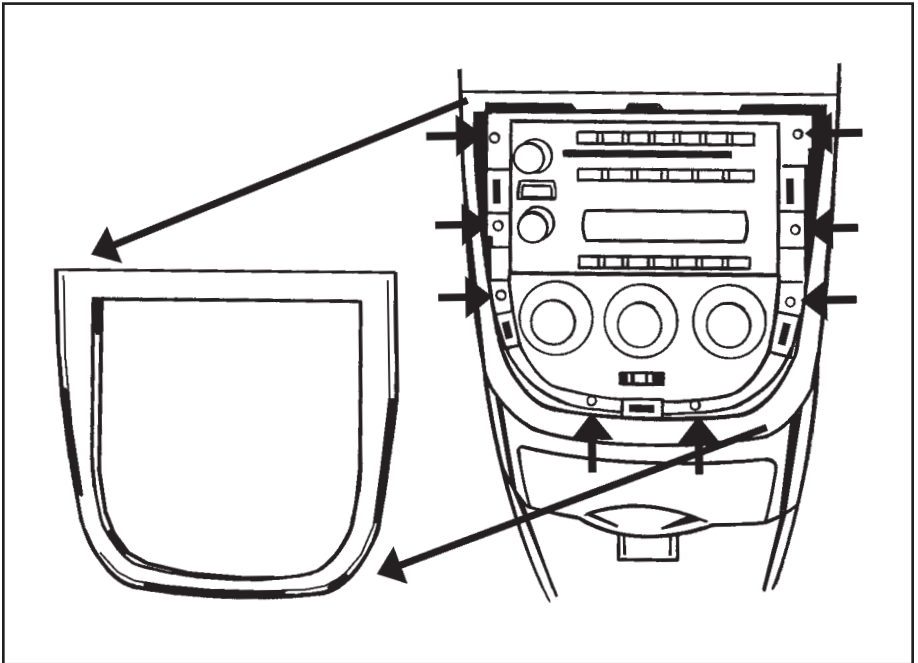


## Dash Disassembly 95-3304

# **Buick Terraza 2005-2008 Chevrolet Uplander 2005-2008 Pontiac Montana SV6 2005-2007 Saturn Relay 2005-2007**

1. Unclip and remove trim panel around radio and a/c control. (Figure A)
2. Remove (8) 9/32" screws to extract radio and a/c control from sub dash. (Figure A)

*Continue to kit assembly*

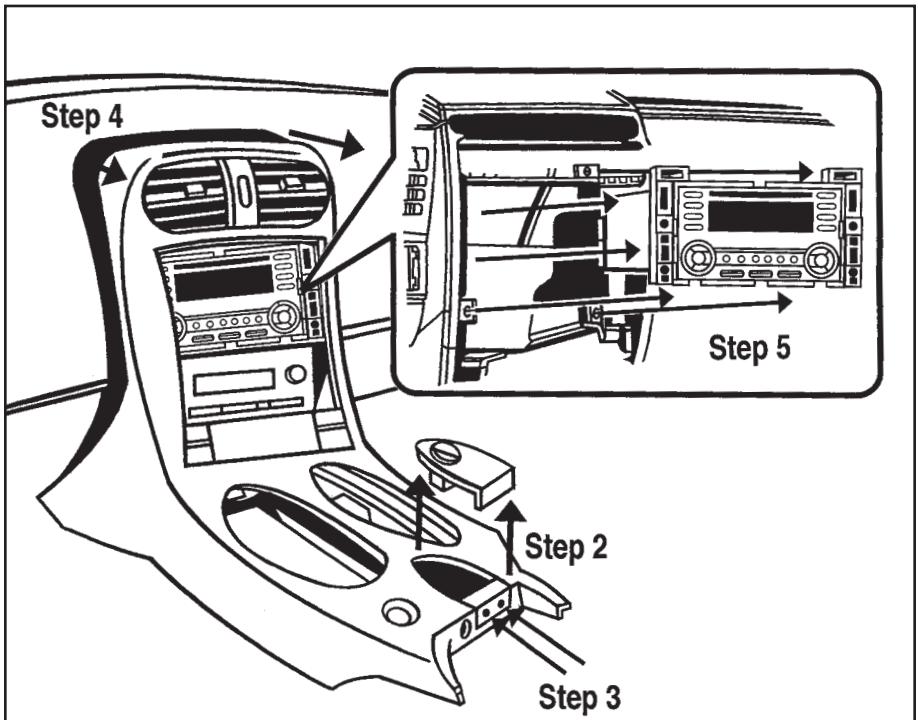


(Figure A)

## Chevrolet Corvette 2005-up

1. Unclip and remove ride control switch/blank plate at front edge of center console lid. (Figure A)
2. Remove (2) 9/32" screws from under plate removed in step 2. (Figure A)
3. Unclip and remove entire panel surrounding radio and including a/c controls. (Figure A)
4. Remove (4) 9/32" screws securing radio to extract from sub dash. (Figure A)

*Continue to kit assembly*



(Figure A)

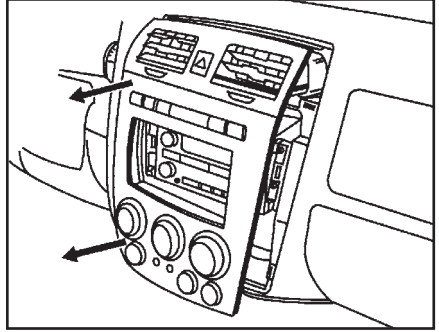


## Dash Disassembly 95-3304

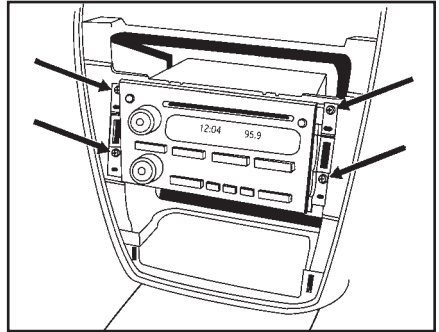
### Hummer H3 2006-2010

1. Unclip and remove trim panel around radio and a/c controls. (Figure A)
2. Remove (4) 9/32" screws securing radio. (Figure B)
3. Unplug and remove radio.

*Continue to kit assembly*



(Figure A)



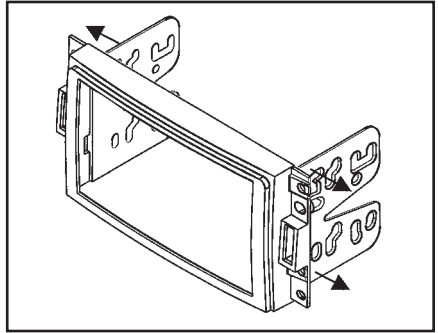
(Figure B)



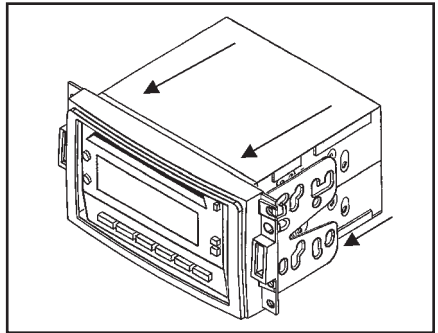
## Kit Assembly 95-7951

### Double DIN radio provision

1. Locate the factory wiring harness in the dash. Metra recommends using the proper mating adapter from Metra or AXXESS. Re-connect the negative battery terminal and test the unit for proper operation.
2. Slide the appropriate bracket into the trim plate aligning the holes in the trim plate to the clips on the bracket. (Figure A)
3. Slide the DDIN radio unit into the trim plate bracket assembly and secure the unit to the kit using the screws supplied with the head unit. (Figure B)
4. Reassemble dash in reverse order of disassembly.



(Figure A)



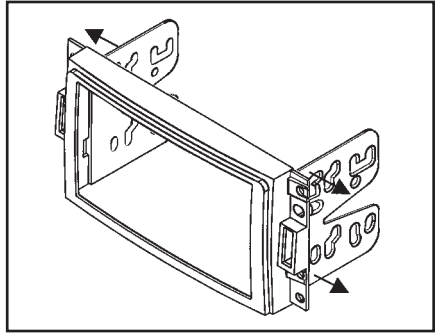
(Figure B)



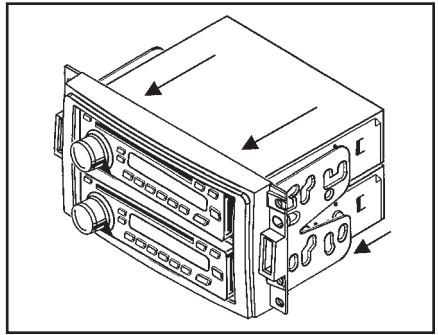
## Kit Assembly 95-7951

### Stacked ISO DIN head unit provision

1. Locate the factory wiring harness in the dash. Metra recommends using the proper mating adapter from Metra or AXXESS. Re-connect the negative battery terminal and test the unit for proper operation.
2. Slide the appropriate bracket into the trim plate aligning the holes in the trim plate to the clips on the bracket. (Figure A)
3. Slide the stacked ISO DIN units into the trim plate bracket assembly and secure the unit to the kit using the screws supplied with the head unit. (Figure B)
4. Reassemble dash in reverse order of disassembly.



(Figure A)



(Figure B)



**INSTALLATION INSTRUCTIONS FOR PART 95-3304**

REV. 5/25/11

**METRA. THE WORLD'S BEST KITS.™**



**1-800-221-0932**



**metraonline.com**

© COPYRIGHT 2004-2011 METRA ELECTRONICS CORPORATION