



## Tonneau Cover User's Information

# RIDGELINE





## Introduction

---

**Thank you for purchasing this Honda accessory.**

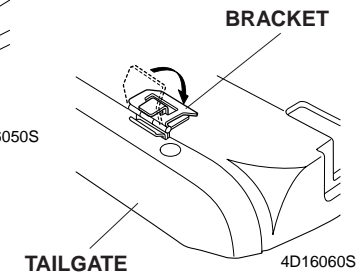
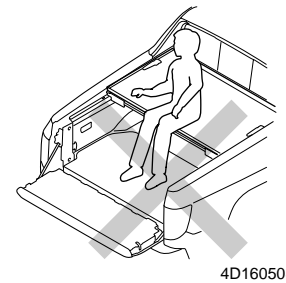
**Please read this user's information carefully before using the tonneau cover, and keep this information in the glove box for future reference.**

This product is designed to be used exclusively on a Honda Ridgeline. Honda is not responsible if the product is used for anything other than its intended purpose.



## Important Information

- Do not drive the vehicle with the tonneau cover open.
- Do not place cargo on the tonneau cover and do not sit on the tonneau cover.
- Take care not to damage the tailgate lock bracket during loading and unloading of cargo from the vehicle.
- Note that the tonneau cover does not function as a waterproof cover. Water can enter the pickup bed making cargo wet as a result.

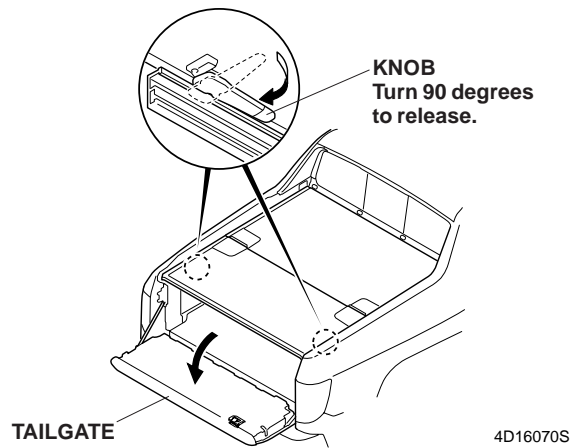


- Get a copy of Installation Instructions from your authorized Honda dealer for installation or removal of the tonneau cover.
- Consult your authorized Honda dealer if you lose the tonneau cover key.

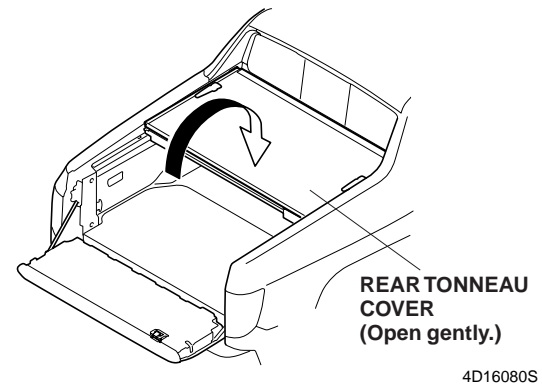
## How to Open and Close the Tonneau Cover

### ■ To open

- Open the tailgate and turn the knobs on the right and left sides of the rear tonneau cover.



- Open the rear tonneau cover gently.

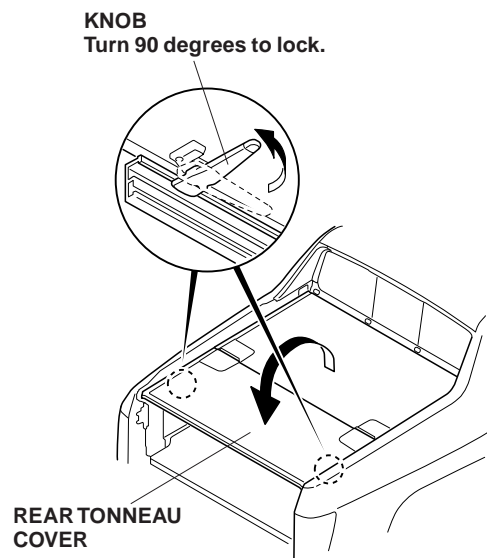


Do not place cargo on the tonneau cover and do not sit on the tonneau cover.

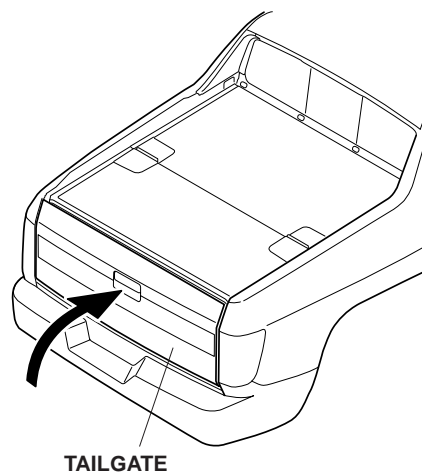
## How to Open and Close the Tonneau Cover

### ■ To close

- Close the rear tonneau cover and turn the knobs on the right and left sides of the rear tonneau cover to lock.



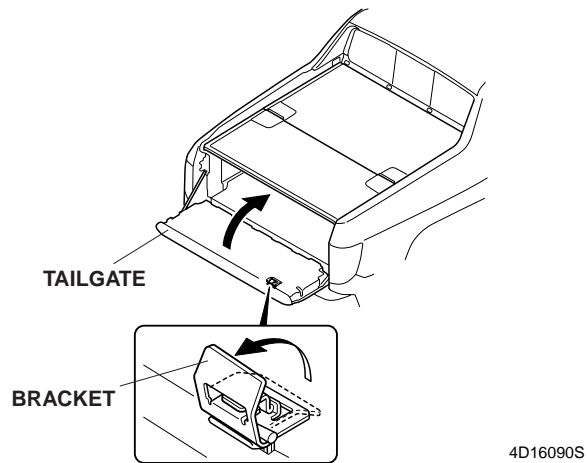
- Close the tailgate.



## How to Use the Key Lock

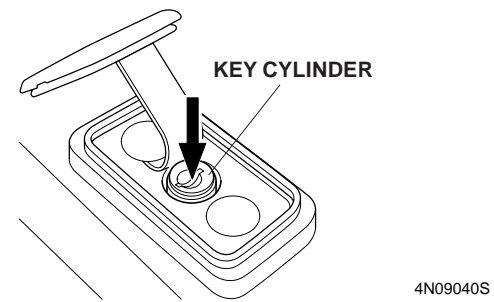
### ■ To lock

- Raise the tailgate bracket and close the tailgate.

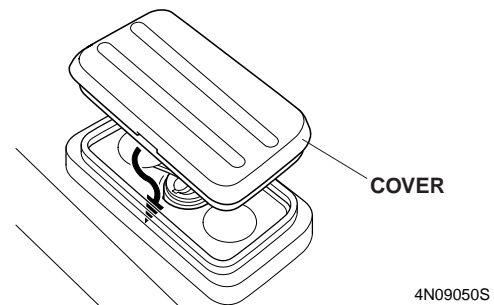


**NOTICE:** Be careful not to damage the tailgate bracket during loading and unloading of cargo.

- Push in the key cylinder to lock.



- Install the cover.

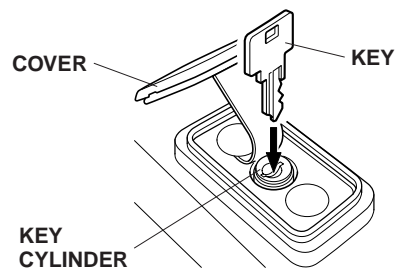




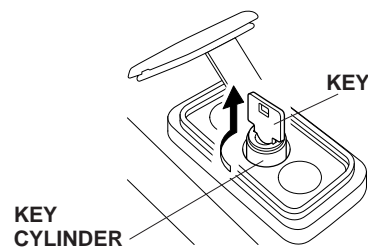
## How to Use the Key Lock

### ■ To unlock

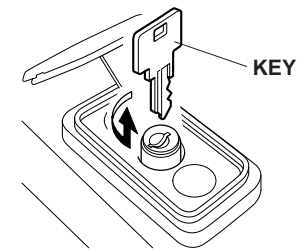
- Open the cover and insert the key into the key cylinder.



- Turn the key clockwise. The cylinder comes up and unlocks.



- Turn the key counterclockwise and remove the key.





**HONDA**  
The Power of Dreams

