

# Digitel

## HD4000

**HIGH DEFINITION DIGITAL SET TOP BOX**



# USER MANUAL





# Safety Instructions

- Always read the safety instructions carefully
- Keep this User's Manual for future reference
- Keep this equipment away from humidity
- Place this equipment on a reliable flat surface before setting it up.
- Do not stand it on soft furnishings.
- If any of the following situation arises, get the equipment checked by a service technician:
  - The equipment has been exposed to moisture.
  - The equipment has been dropped and damaged.
  - The equipment has obvious sign of breakage.
  - The equipment has not been working well or you cannot get it work according to User's Manual.

## Warning

- To prevent the risk of electric shock, do not open the cover or the back of the receiver.
- Do not block the ventilation holes of the device. Leave appropriate gap above and around it to allow for adequate ventilation.
- Do not place the device in an unventilated cabinet or on top of a unit which emits heat.

## Copyright Statement

No part of this publication may be reproduced in any form by any means without the prior written permission. Other trademarks or brand names mentioned herein are trademarks or registered trademarks of their respective companies.

## Disclaimer

Information in this document is subject to change without notice. The manufacturer does not make any representations or warranties (implied or otherwise) regarding the accuracy and completeness of this document and shall in no event be liable for any loss of profit or any commercial damage, including but not limited to special, incidental, consequential, or other damage.



This symbol indicates that this product incorporates double insulation between hazardous mains voltage and user accessible parts. When servicing use only identical replacement parts.

**WARNING:** To reduce the risk of fire or electric shock, do not expose this apparatus to rain or colds.

# Table Of Contents

<b>Introduction .....</b>	<b>3</b>
<b>Front panel and rear panel illustration .....</b>	<b>4</b>
Front Panel .....	4
Rear Panel .....	4
<b>Remote control .....</b>	<b>5</b>
<b>Installing the batteries .....</b>	<b>5</b>
<b>Installation &amp; Connections .....</b>	<b>7</b>
<b>First time installation .....</b>	<b>10</b>
<b>Basic operations .....</b>	<b>11</b>
<b>Main menu .....</b>	<b>14</b>
Menu Tree .....	15
<b>Installation .....</b>	<b>16</b>
Auto Scan .....	16
Manual Scan .....	16
<b>Program edit .....</b>	<b>17</b>
<b>System setup .....</b>	<b>19</b>
A/V Output Settings .....	19
Local Time Setting .....	19
System Information .....	19
Factory Default .....	19
<b>User preferences .....</b>	<b>20</b>
OSD Language .....	20
OSD Transparency .....	20
CH Info Bar Time Out .....	20
Volume Bar Time Out .....	20
Parental Control .....	21
<b>Trouble shooting .....</b>	<b>22</b>
<b>Technical specifications .....</b>	<b>23</b>
<b>WARRANTY INFORMATION</b>	
<b>WARRANTY CONDITIONS</b>	

# Introduction

This DVB-T TV Receiver is a Free-To-Air digital terrestrial receiver, allowing you to access free-to-air digital terrestrial TV channels and radio broadcasts on your TV set. Its digital reception covers VHF & UHF band. Compared with the analog TV programs, digital TV programs eliminate the noise and interference but offer high quality video and audio. An on-screen initial installation guide is provided so that you can easily start to enjoy watching the programs. In addition, a fully featured remote control is included that offers you access to every feature with a simple press of a button.

## Main Features

- Full comply with Australian DVB-T standards
- Full MPEG2 ISO/IEC 13818 transport stream compliant audio/video decoding
- Bandwidth of 7MHz supported
- COFDM demodulator
- Automatic/manual channel search
- Channel edit, moving and deletion
- Parental lock control
- EPG (Electronic Program Guide) and teletext function (where available)
- RS-232 serial port for software upgrade
- Tuner RF in/loop through
- Dolby R Digital 5.1 Channel Surround Sound
- Component/S-Video/Digital Audio via coaxial & optical output
- HDMI output
- Full function remote control

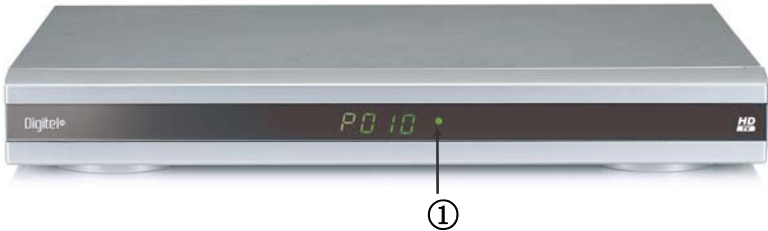
## Package Contents

Before installation, please check the items of the package. The package should contain the following items:

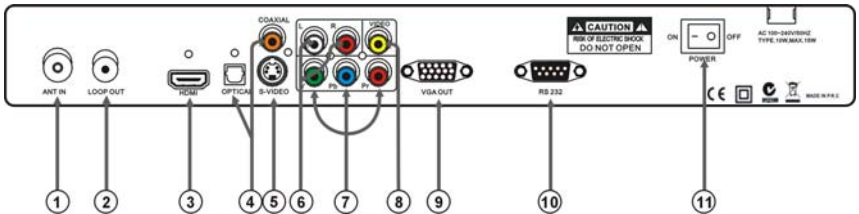
- |  |     |
|--|-----|
| 1. DVB-T TV receiver                       | x 1 |
| 2. Remote control                          | x 1 |
| 3. AAA size battery for the remote control | x 2 |
| 4. Instruction manual                      | x 1 |
| 5. YPbPr cable                             | x 1 |
| 6. CVBS cable                              | x 1 |

# Front panel and rear panel illustration

## Front Panel



① **Green Light** To indicate the Stand-by mode ON/OFF (this mode is controlled by remote control only).



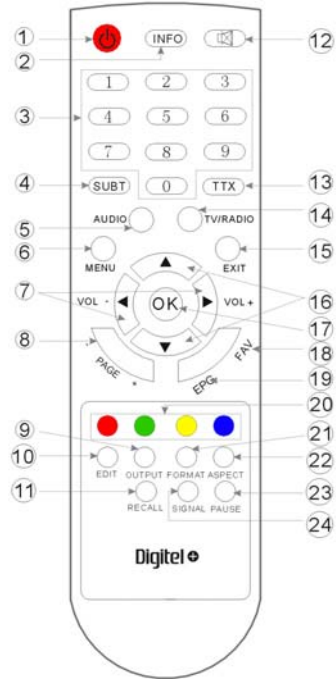
## Rear Panel

- ① **ANT IN** connect the antenna here.
- ② **LOOP OUT** To connect a RF signal from the STB to either the RF Input jack (antenna) on your VCR or to the antenna input of your TV.
- ③ **HDMI** video output used to connect to your HDMI device.
- ④ **PDIF/COAXIAL** Digital audio output.
- ⑤ **S-VIDEO** Y/C output for a S-VHS or Hi-Fi Video Recorder.
- ⑥ **AUDIOL/R** Audio output to connect to your TV.
- ⑦ **YPbPr** High definition video output to connect to your TV.
- ⑧ **VIDEO** CVBS output to connect to your TV.
- ⑨ **VGA** Video output to connect a VGA display monitor.
- ⑩ **RS-232** Serial port for software upgrade.
- ⑪ **POWER** Switch ON/OFF.

# Remote control

## Remote key functions:

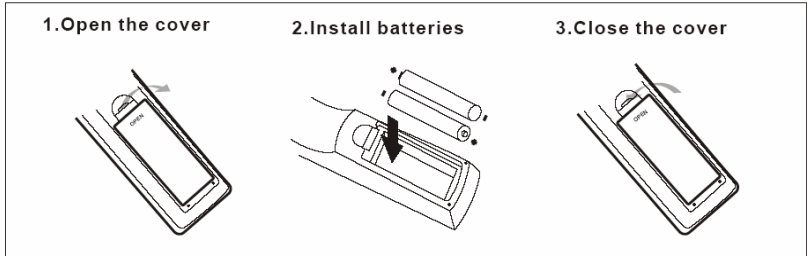
- 1. POWER** To turn the Stand-by mode ON/OFF.
- 2. INFO** To display the current program information.
- 3. Numeric buttons (0-9)** To control the numerical operation and especially to change program directly.
- 4. SUBT** To switch the close caption ON/OFF.
- 5. AUDIO** To display the Audio info of the selected program.
- 6. MENU** To enter into the main menu, Press again to exit to previous menu.
- 7. VOL - / +** To control the level of the volume.
- 8. PAGE - / +** To Page Down (5-)/Page Up (5+).
- 9. OUTPUT** To switch the output mode of HD between YPbPr and VGA.
- 10. EDIT** To edit the properties of the current program.
- 11. RECALL** To return to view the previous program.
- 12. MUTE** To mute or recover the sound of the receiver.
- 13. TTX** To switch the teletext service ON/OFF.
- 14. TV/RADIO** To switch the program between TV and Radio.
- 15. EXIT** To cancel operation or exit the menu directly.
- 16. ▲▼** To change the program upward / downward.
- 17. OK** To confirm the selected menu item / to open the program list.
- 18. FAV** To cancel operation or exit the menu directly (Not supported now)
- 19. EPG** To introduce some program info to the user.
- 20. 4 COLOR KEY** To assist the operation of the box.
- 21. FORMAT** To switch the different resolution (1080i, 720P, 576P, 576i supported).
- 22. ASPECT** To toggle among 16:9 full screen, 16:9 letter box, 4:3 full screen, 4:3 letter box, 4:3 panscan.
- 23. PAUSE** To Pause the current program when pressed and go on playing the current when pressed again.
- 24. SIGNAL** To show the quality / level of signal.



## Installing the batteries

Remove the battery cover from the remote control and put two AAA size batteries inside the compartment.

The diagram inside the battery compartment shows the correct way to install the batteries.



### Caution:

1. Keep batteries out of children's reach.
2. Don't attempt to recharge, short-circuit, disassemble, heat or throw the batteries into the fire.
3. Always replace both batteries at the same time. Never mix new and old batteries or batteries of a different type.
4. If you don't intend to use the remote controller for an extended period, remove the batteries to prevent possible leakage and corrosion.
5. Do not drop, apply shock or step on the remote control.
6. Do not spill water on the remote control.

**Notes:** *If the receiver does not operate when operating the remote control from a close range, you need to replace the batteries.*

### Using the Remote Control

1. To use the remote control, point it towards the front of the digital set top box.
2. The remote control has a range of up to 7 metres from the set top box at an angle of up to 60 degrees.
3. The remote control will not operate if its path is blocked.

**Note:** *Sunlight or very bright light will decrease the sensitivity of the remote control.*



# Installation and Connections

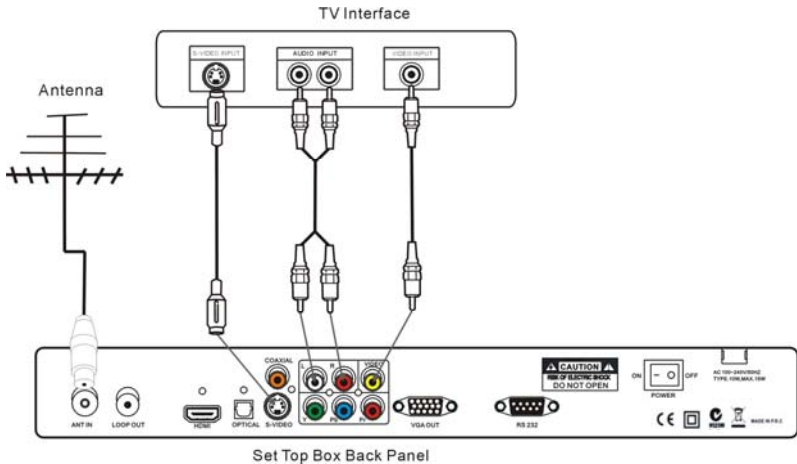
## How to get good reception

- In general you are not required to change the existing antenna. However if your antenna is not in good condition you should consider replacing them to ensure uninterrupted digital television viewing.
- Viewers in areas of poor analog reception may need specialists' advice about antenna requirements for digital reception in their area.
- It's recommended that viewers use quad shielded cable from the antenna to the television.

## Connections to a TV

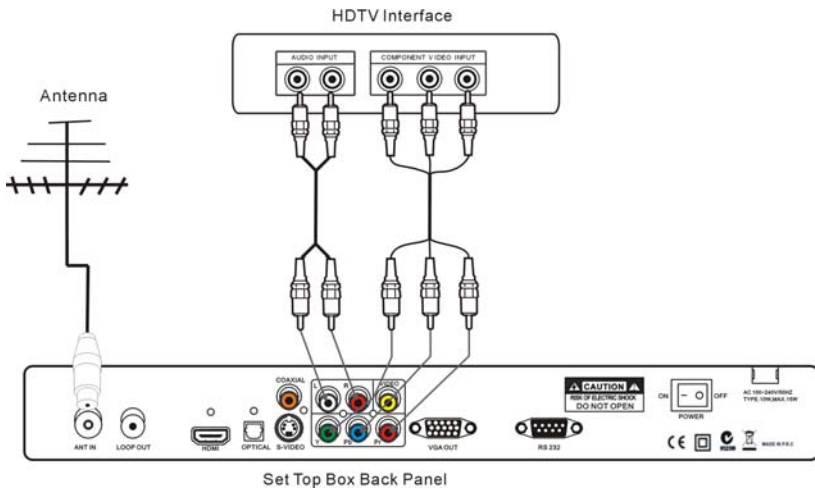
There are several ways of connecting your STB receiver to the TV and Hi-Fi System. For high definition viewing your TV must support either 576p, 720p, 1080i resolution. Also the connection between the STB receiver and TV must be YPbPr component, VGA, or HDMI. Other connection will provide standard definition viewing.

### Connect the STB receiver via Video/S-Video and Audio (for standard definition viewing)

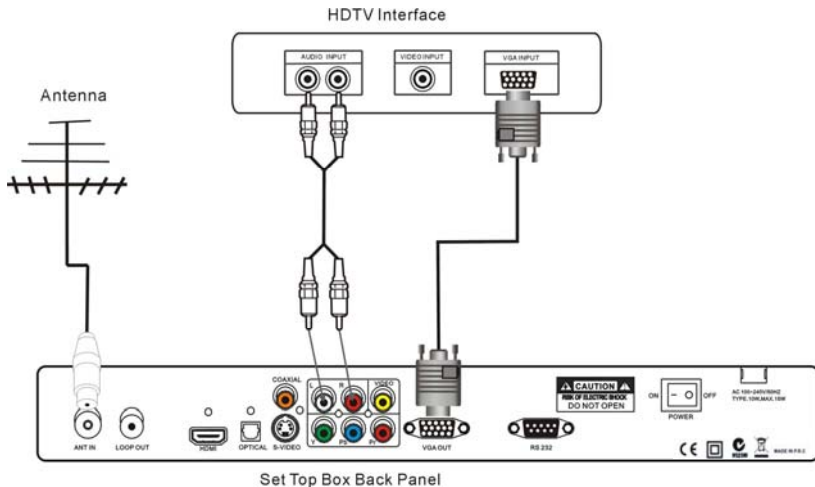


# Installation and Connections

**Connect the STB receiver via YPbPr output and Audio output (for high definition viewing)**

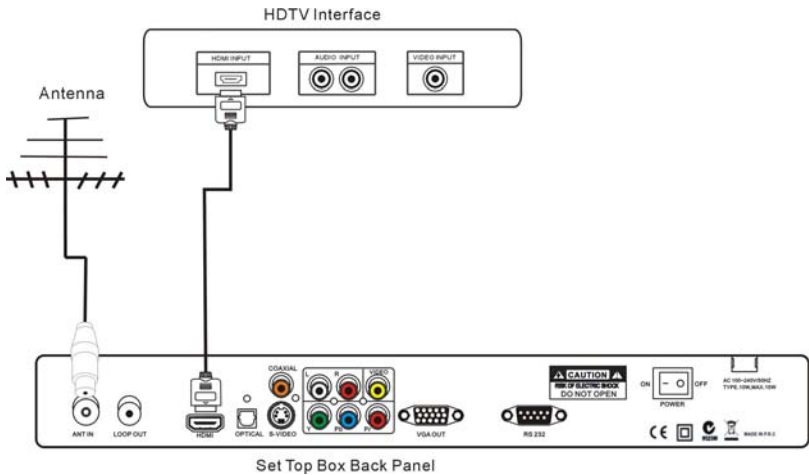


**Connect the STB receiver via VGA output and Audio output (for high definition viewing)**

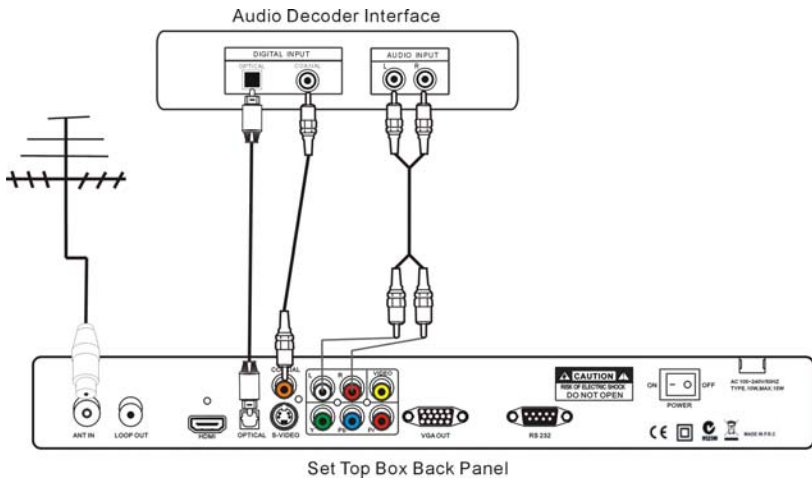


# Installation and Connections

Connect the receiver via HDMI output (for high definition viewing)



Audio connections via Optical/Coaxial/Mixed Audio L/R Output



## First time installation

**Note:** Be sure to turn on the main power at the rear of your receiver before using the receiver.

After all the connections have been made properly, switch on your TV. Make sure the receiver is connected to the mains and press **Power** to switch the receiver on. If you are using the receiver for the first time or restored to factory default, a **First Time Installation** menu will be displayed to guide you through the initial setup to set the time zone, the daylight saving, the TV screen type and scan channels. Use the remote controller to finish the setup.



When finished the scanning, all active channels found will be stored automatically. The last found channel will be viewed. (In case you want to stop the scanning, press the **EXIT** key to exit. The channels already found will be stored).

Now you are ready to watch digital terrestrial TV channels and radio broadcasts.

In case you skip the **First Time Installation** screen, you can press **MENU** key to bring up the main menu (please refer to page 14 for operation guidance)

## Basic operations

### Switch program

1. Press the NUMERIC keys (0–9) on the remote control to select the channel number you want.
2. Press the ▲▼ key on the remote control or the front panel to change the available channels upward/downward.
3. Press the RECALL key to view the previous channel selected.

### Volume control


1. Press the ◀▶ key on the remote control or front panel to adjust the volume.  
The following volume bar will appear on screen.



### Mute

1. Press the MUTE key to temporarily stop the sound.
2. To cancel mute, press the MUTE key again or press ◀▶ key.

### Freezing picture

1. Press Pause key to pause current program and the pause icon  will appear on screen.
2. To cancel pause and continue to play, press again the PAUSE key and the pause icon will disappear.

### Change an audio language and audio mode

Press the AUDIO key on the remote control to select the audio control menu, press the

◀▶, ▲▼ and OK keys to select an audio language you want. Press EXIT key to exit the menu.

*NOTE: the Languages depend on the program providers.*

### Change screen aspect

Press **Aspect** key to switch screen aspect mode (16:9 full screen, 16:9 letter box, 4:3 full screen, 4:3 letter box, 4:3 panscan).

### Change video resolution

Press **Format** key to set the video resolution mode (1080i, 720P, 576P).

*NOTE: this receiver is default set to 1080i.*

# Basic operations

## Change video output mode

Press **OUTPUT** key to select the matched video monitor between YPbPr and VGA.

## Change TV/Radio mode

Press **TV/Radio** key to change the program list mode between TV and Radio.

## View program info

1. Press **INFO** key to view the detailed information of current program.
2. Press **INFO/ EXIT** to exit view.

## Subtitle

Press **SUBT** key to switch subtitle on/off.

***NOTE:** the subtitle depends on the program providers.*

## Teletext service

1. Press **TTX** key to open a teletext page (if the teletext is transmitted)
2. Press **EXIT** key again or press **EXIT** key to close the teletext.

## View signal info

1. Press **SIGNAL** key to view the signal level and quality of the current program.
2. Press **EXIT** or **SIGNAL** key to exit.

## Quick edit of current program

1. Press **EDIT** key to show the edit mode.
2. Press **◀▶** to select the desired option.
3. Press **OK** key to confirm.
4. Press **OK** key again to cancel.
5. Press **EXIT** or **EDIT** key to exit the menu.



There are 6 options available for your quick edit.



- To skip current program
- To lock/unlock current program
- Favorite list 4
- Favorite list 3
- Favorite list 2
- Favorite list 1

# Basic operations

## EPG (Electric Program Guide)

1. Press **EPG** key to view the EPG information that are provided by the content providers.
2. Press **▲▼** key to view the event information such as event name, event time.



3. Press **OK** key to view the detailed information of the current event.



4. Press **RED** key to view the event information of the next day, press **BLUE** key view the event information of the previous day.
5. Press **EPG** key again or press **EXIT** key to exit the menu.

# Main menu

*This section guides you to walk through of all options on the Menu screen*

## Navigation in the main menu

1. Press **MENU** key to bring up the main menu or return previous.
2. Press **▲▼** key to move upward/down to the desired sub menu.
3. Press **OK** key to enter into the sub menu you select.
4. Press **EXIT** key to exit the main menu.

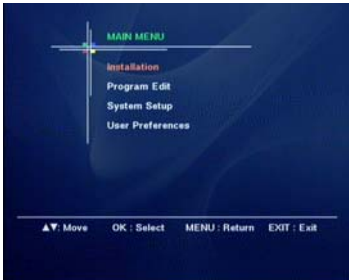
The main menu is divided into 4 sections, please refer to the menu tree in the next page.

## Installation

## Program Edit

## System Setup

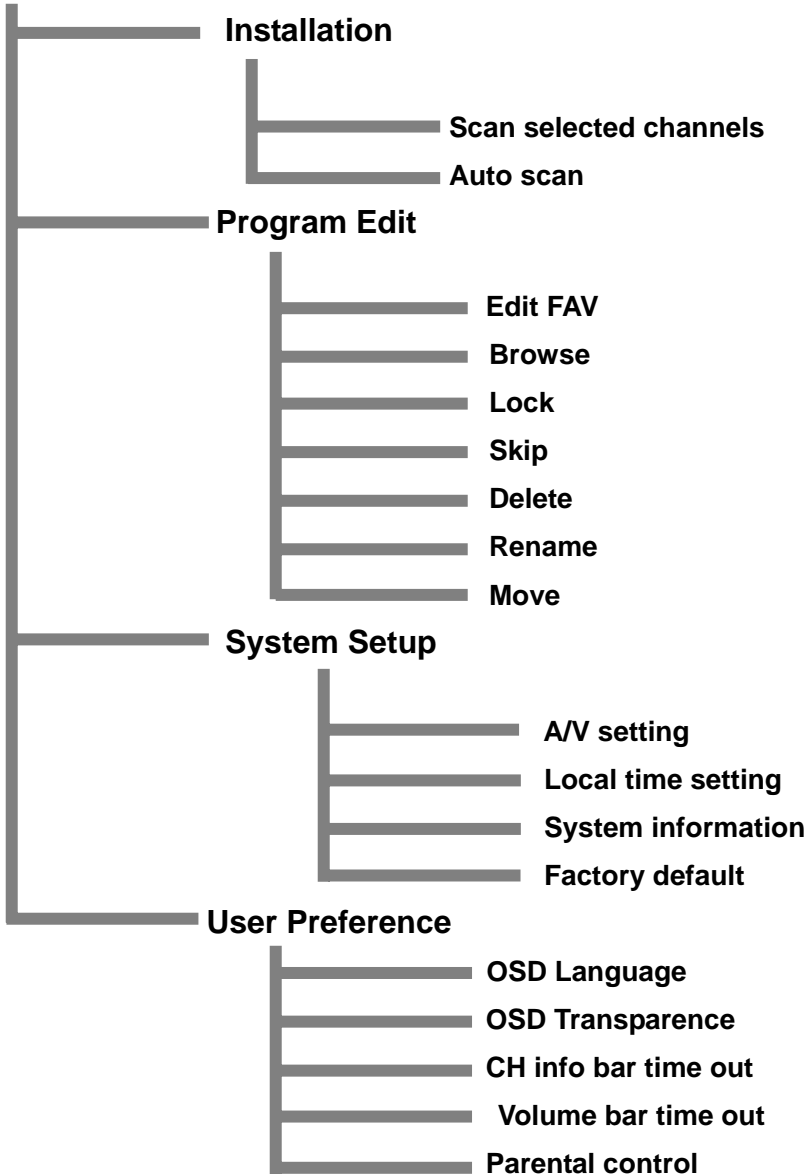
## User Preferences





# Main menu

## Menu Tree



# Installation

## Auto Scan

1. Go to Main menu > Installation.
2. Press **BLUE** key to auto scan all the channels.
3. Press **EXIT** key if you want to stop during the auto scan.



## Manual Scan


1. Go to Main menu > Installation
2. Press **▲▼** to select the channels you want to scan. Press **◀▶** key to page up/down .
3. Press **OK** key to select the channel, press again to cancel your selection. If the channel is selected, an icon “✓” will appear.
4. Repeat step2, 3 to select channels.
5. Press **RED** key to start scanning the selected channels.
6. Press **EXIT** key if you want to stop during the scan.



# Program edit


**NOTE:** If there is no program stored, you can not access the edit menu.

## Edit Favourite

1. Go to Main menu > Program edit > TV or Radio list.
2. Press **YELLOW** key to show the favorite list and then press **▲▼** key to select the desired favorite list, press **OK** key to enter favorite edit mode.
3. Press **▲▼** key to select the program you desired.
4. Press **OK** key to add the program to the favorite list you selected, a FAV icon  will appear.
5. Press **OK** key again to cancel this operation, the FAV icon will disappear.
6. Press **EXIT** key to exit all menu or press **MENU** to return to the previous menu




## Lock Program

1. Go to Main menu > Program edit > TV or Radio list.
2. Press **RED** key to show a list of Edit modes. Press **▲▼** key to select the lock item.
3. Press **OK** key to enable the lock function.
4. Press **▲▼** key to select a program you desired, and press **OK** key to lock this program, a lock icon  will appear.
5. Press **OK** key again to cancel the operation. The lock icon will disappear.
6. Press **EXIT** key to exit all menu or press **MENU** to return to the previous menu.



## Skip Program

1. Go to Main menu > Program edit > TV or Radio list.
2. Press **RED** key to show a list of Edit modes. Press **▲▼** key to select the Skip item.
3. Press **OK** key to enable the Skip function.
4. Press **▲▼** key to select a program you desired, and press **OK** key to Skip this program. a skip icon  will appear.
5. Press **OK** key again to cancel the operation. The skip icon will disappear.
6. Press **EXIT** key to exit all menu or press **MENU** to return to the previous menu.



# Program edit

## Delete Program

1. Go to Main menu > Program edit > TV or Radio list.
2. Press **RED** key to show a list of Edit modes. Press **▲▼** key to select the delete item.
3. Press **OK** key to enable the delete function.
4. Press **▲▼** key to select the program you dislike, and press **OK** key to mark this program. A cut icon **✂** will appear.
5. Press **OK** key again to cancel the operation. The cut icon will disappear.
6. Press **EXIT** key to exit all menu or press **MENU** to return to the previous menu.



## Rename

1. Go to Main menu > Program edit > TV or Radio list.
2. Press **RED** key to show a list box of all Edit modes. Press **▲▼** key to select the Rename item.
3. Press **OK** key to enable the rename function.
4. Press **▲▼** to select a program you want to rename, and press **OK** key to enter the Name Edit Menu. A keyboard will show on the screen.
5. Press **▲▼** **◀▶** to select the letters and press **OK** key to confirm. Press **YELLOW** key to save and quit, press **GREEN** key to delete unwanted letters.
6. Press **EXIT** key to exit all menu or press **MENU** to return to the previous menu.

## Move Program

1. Go to Main menu > Program edit > TV or Radio list.
2. Press **RED** key to show a list of Edit modes. Press **▲▼** key to select the move item.
3. Press **OK** key to enable the move function.
4. Press **▲▼** key to select a program you want to move, and press **OK** key.
5. Press **NUMERIC** key to set a new position number for the selected program.
6. Press **OK** key to confirm, the selected program will be moved to the new position.
7. Press **EXIT** key to exit all menu or press **MENU** to return to the previous menu.



## Switch TV/Radio list

Press **BLUE** key to switch between the TV channel list and the radio channel list.

# System setup

## A/V Output Settings

1. Go to Main menu > System setup > A/V output setting.
2. Press **▲▼** key to select the options: Resolution, Video output, Screen aspect, Audio output. And press **OK** to enter submenu of selected option.
3. Press **▲▼** key to select the item you want to set, and press **OK** key to confirm.
4. Press **EXIT** key to exit all menu or press **MENU** to return to the previous menu.  
Resolution supported: 1080i, 720P, 576P, 576i Video output supported: YPbPr, VGA. Screen aspect supported: 4:3 Letter box, 16:9 Letter box, 6:3 Full, 16:9 Full and 4:3 Panscan.  
Audio output supported: MPEG, AC-3 PCM, AC-3 CD

## Local Time Setting

1. Go to Main menu > System setup > Local Time Setting.
2. Press **▲▼** key to select the options: Time zone, Daylight saving, and press **OK** key to enter submenu of selected option.
3. Press **▲▼** key to select the item that you want to set, and press **OK** key to confirm.
4. Press **EXIT** key to exit all menu or press **MENU** to return to the previous menu.

## System Information

1. Go to Main menu > System setup > System Information.
2. Press **OK** key to view the software/hardware Information of this receiver.

## Factory Default

1. Go to Main menu > System setup > Factory default.
2. Press **OK** key and input the correct the PIN code and press **OK** key again to confirm your selection, the factory default data will be loaded.

**NOTE:** *Factory default PIN is "0000".*

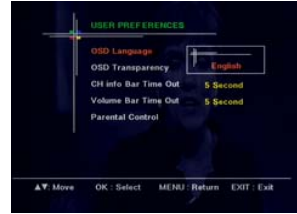


# User preferences

## OSD Language

Go to Main menu > User preferences > OSD language.

Only English is supported for this receiver.



## OSD Transparency

1. Go to Main menu > User preferences > OSD Transparency.

2. Press ▲▼ key to select the **OSD Transparency** option, and press **OK** key to enter submenu.

3. Press ▲▼ key to select the transparency value that you desired (4 transparency modes are available: 30%, 50%, 75%, 100%), and press **OK** key to confirm.

4. Press **EXIT** key to exit all menu or press **MENU** to return to the previous menu.



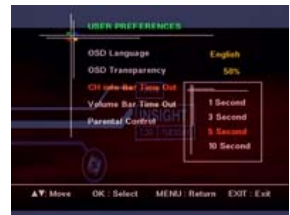
## CH Info Bar Time Out

1. Go to Main menu > User preferences > CH Info Bar Time Out.

2. Press ▲▼ key to select the **CH Info Bar Time Out** option, and press **OK** key to enter submenu.

3. Press ▲▼ key to select the timeout that you desired (4 timeout modes are available: 1 second, 3 second, 5 second, 10 second), and press **OK** key to confirm.

4. Press **EXIT** key to exit all menu or press **MENU** to return to the previous menu.



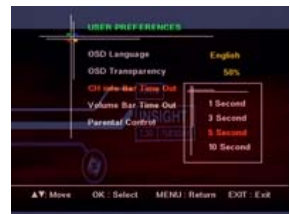
## Volume Bar Time Out

1. Go to Main menu > User preferences > Volume Bar Time Out.

2. Press ▲▼ key to select the **Volume Bar Time Out** option, and press **OK** key to enter submenu.

3. Press ▲▼ key to select the timeout that you desired (4 timeout modes are available: 1 second, 3 second, 5 second, 10 second), and press **OK** key to confirm.

4. Press **EXIT** key to exit all menu or press **MENU** to return to the previous menu.



# User preferences

## Parental Control

1. Go to Main menu > User preferences > Parental control.
2. Press ▲▼ key to select the Parental Control option, and press OK key and input the correct the PIN code to enter the submenu.



### 1. Parental Rating

To set the rating level.

There are up to 8 levels are available.

**ALL:** All programs are blocked

**G:** General

**PG:** Parental guidance

**M:** Mature audience, 15+ year old

**MA:** Mature adult audience 15+ year old

**AV:** Adult audience, strong violence, 15+ year old

**R:** Restricted, 18+ year old

**None:** No program is blocked



### 2. Installation Menu

To lock/unlock the Installation Menu

### 3. Channel Edit Menu

To lock/unlock the Channel Edit Menu

### 4. Setup Menu

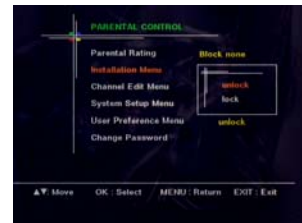
To lock/unlock the Setup Menu

### 5. User preferences Menu

To lock/unlock the User preferences Menu

### 6. Change Password

To modify the user's password



**NOTE:** Factory default password is "0000".

If you forgot your password, please input the override code 7710 to unlock.

## Trouble shooting

If you experience problems with this receiver or its installation, in the first instance please read carefully the relevant sections of this User Manual and this Troubleshooting section.

Problem	Possible cause	What to do
Display on front panel not lit	Main lead unplugged	Check mains lead
	Main fuse blown	Check fuse
No signal found	Aerial is disconnected	Check aerial lead
	Aerial is damaged/misaligned	Check aerial
	Out of digital signal area	Check with dealer
No picture or sound	Program not broadcasting now	Retune to another channel
Mosaic blocks in picture or picture freezes	Aerial may not be compatible	Check aerial
Scrambled channel message	Channel is scrambled	Select an alternative channel
Forgotten channel lock code		Use the override code
No response to remote control	Receiver off	Plug in and turn on receiver
	Handset not aimed correctly	Aim handset at front panel
	Front panel obstructed	Check for obstructions
	Remote control batteries are inserted incorrectly	Check batteries direction
	Handset batteries exhausted	Replace remote control batteries
After moving the receiver to another room, you can't receive digital reception	The aerial feed may come through a distribution system which may reduce the digital signal now received by the receiver	Try a direct feed from the antenna

**Warning:** If this doesn't work, contact a qualified repair technician, never attempt to repair the receiver yourself.



# Technical specifications

Item	Specification	
<b>Tuner</b>	Frequency Range	VHF: 174MHz to 230MHz UHF: 470MHz to 862MHz
	Input Impedance	75Ohms unbalanced
	Signal Input Level	-78~-25dbm
	Bandwidth	7MHz
<b>Demodulation</b>	Demodulator	COFDM
	OFDM Modulation	2K, 8K FFT, SFN and MFN
	Packed Carriers	2K/8K
	Guard Interval	1/4, 1/8, 1/16, 1/32
<b>Connectors</b>	RF IN	IEC 169-2 female connector
	RF Loop Through	IEC 165-2 male connector
	Y, Pb/Cb, Pr/Cr	RCA for component video output
	L/R	RCA, Analog audio output
	S-Video	4-Pin mini-DIN Connector
	Coaxial	RCA, for SPDIF digital audio output
	RS-232	DB-9 male serial port, for software upgrade
	Input	100-240V~50/60Hz
<b>Power supply</b>	Consumption	10W max.
	Decoder Module	PAL
<b>Display</b>	Resolution	1920X1080i, 1280X720p, 720X576p, 720X576i
	Aspect Ratio	4:3(Letterbox, full), 16:9,Panscan
	Video	MPEG2 Transport <a href="#">MP@HL</a>
<b>Decoding</b>	Audio	MPEG2 Audio Layer I&II
	Compliance	ETSI EN 300 744 DVB-T Compliance
<b>Others</b>	Sound Mode	Right, Left, Stereo
	Size	360*235*43mm
	Weight (Net)	1.8kg

\* Specifications are subject to change without prior notice



This marking shown on the product or its literature, indicates that it should not be disposed with other household wastes at the end of its working life. To prevent possible harm to the environment or human health from uncontrolled waste disposal, please separate this from other types of wastes and recycle it responsibly to promote the sustainable reuse of material resources.



## WARRANTY INFORMATION

**PLEASE NOTE THAT DIGITAL PRODUCTS GROUP PTY LTD ACT AS THE WARRANTY AND SERVICE AGENTS FOR THIS Digitel+ PRODUCT.**

**DO NOT RETURN THIS CARD TO DIGITAL PRODUCTS GROUP**

### **IMPORTANT**

*PLEASE KEEP WARRANTY CARD, PROOF OF PURCHASE AND USER MANUAL IN A SAFE PLACE AS YOU WILL REQUIRE THESE WHEN MAKING A WARRANTY CLAIM.*

Ensure that the following conditions are followed when operating the equipment. Failure to do so may result in warranty being void.

Power requirements: Ensure main power supply is 240v AC +/- 10%, 40W Max, 50Hz +/- 5%.

Do Not place the unit in a confined cabinet or cupboard with out proper ventilation.

To prevent shock or hazard risk Do Not place Liquid or Fluids near the appliance.

Do Not place appliance in a dusty or wet location.

Full warranty conditions are listed in the rear of the users manual.

Prior to making a claim you should read through the trouble shooting section in the manual and consult the DPG web site [www.digitalpg.com.au](http://www.digitalpg.com.au)

For further Warranty information or to make a claim please contact Digital Product Group on **1300 889 803**.



**DIGITAL**  
PRODUCTS GROUP

## **WARRANTY CONDITIONS**

1. Where required by DIGITEL+ / DPG only the original invoice/receipt issued by the dealer will be accepted as proof of purchase.
2. DIGITEL+ / DPG may reject warranty claims on equipment which it believes to be illegally acquired or when the “owner” is unable to provide proof of purchase or where security labels or serial numbers have been tampered with or removed.
3. The warranty covers only defects in the material and workmanship of the product for a period of 12months from the date of original purchase.
4. This warranty is on “Return to Base” basis. The owner is responsible for the delivery of the equipment to the point of purchase and for collecting the repaired or replaced equipment from the same location.
5. The warranty is void if failures arise as a result of any of the following. i) Abuse, misuse, physical impact, normal wear and tear. ii) Alteration or repairs carried out with out written authorization from DIGITEL+ / DPG. iii) Upgrade that are not registered by DIGITEL+ / DPG. iv) Operating or maintained other than in accordance with the manual supplied.
6. This equipment will not be considered defective as a result to incompatibility with other equipment or accessories other than the ones supplied with the unit at the time of purchase.
7. This unit should be returned in its original carton and protective packaging or alternatively in a packing suitable to prevent damage. DIGITEL+ / DPG will not accept any responsibility for goods damaged whilst the goods are in transit.
8. Repair or replacement under the terms of this warranty does not give the right to extension or a beginning of a new warranty period. Repairs or replacements may be carried out with functionally equivalent reconditioned parts or equivalent part. Parts that have been replaced become the property of DIGITEL+ / DPG.
9. The customer acknowledges that no promise representation or undertaking has been given by DIGITEL+ / DPG or its dealer in relation to equipment other than as contained in this warranty.
10. A service charge will apply if the fault is not covered within the conditions of this warranty or if there is no fault found. The charge will be based on the current market rate.
11. DIGITEL+ / DPG is not liable for any other loss other than the unit itself.
12. Nothing contained in this warranty shall be read or applied so as to affect the right of the consumer in relation to the provisions of the trade practices act or other statutory rights provided by legislation of the state or territory. In the absence of applicable legislation this warranty will be purchases sole and exclusive remedy and neither DIGITEL+ / DPG nor its distributors or agents shall be liable for any incidental or consequential damages for breach of any express or implied warranty of this equipment.

For further Warranty information or to make a claim please contact Digital Product Group on **1300 889 803**.