



Cargo Net User's Information Manual

PILOT


A Few Words About Safety

Your safety, and the safety of others, is very important. And using this accessory safely is an important responsibility.

To help you make informed decisions about safety, we have provided operating procedures and other information on labels in the vehicle owner's manual, and in this manual. This information alerts you to potential hazards that could hurt you or others.

Of course, it is not practical or possible to warn you about all the hazards associated with operating or maintaining your vehicle. You must use your own good judgement.

You will find this important safety information in a variety of forms, including:

- **Safety Messages** – preceded by a safety alert symbol  and one of three signal words: **DANGER**, **WARNING**, or **CAUTION**. These signal words mean:

 **DANGER**

You **WILL** be **KILLED** or **SERIOUSLY HURT** if you don't follow instructions.

 **WARNING**

You **CAN** be **KILLED** or **SERIOUSLY HURT** if you don't follow instructions.

 **CAUTION**

You **CAN** be **HURT** if you don't follow instructions.

As you read this manual, you will find information that is intended to help you avoid damage to your vehicle, other property, or the environment.

- **Instructions** – how to use this system correctly and safely.

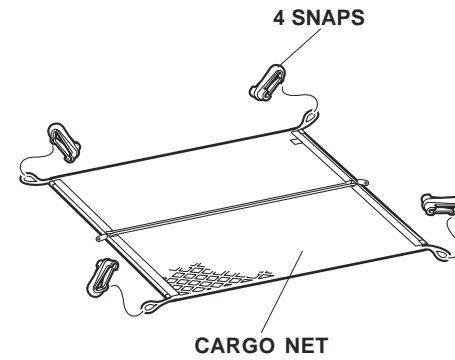
This manual contains important safety information – please read it carefully.

NOTE

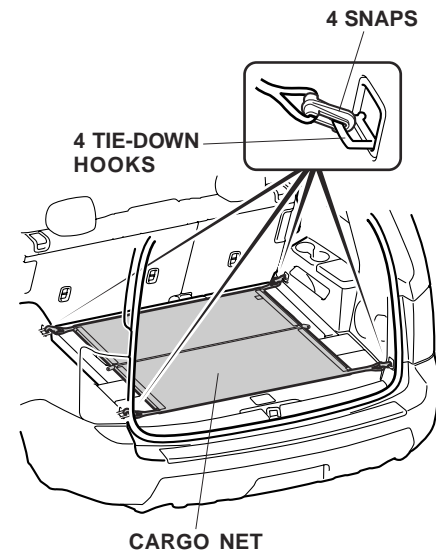
- Some luggage stored in the cargo net may interfere with the tailgate when it is closed. To prevent damage, do not store large or fragile articles in the cargo net.
- Before storing articles that have sharp edges or corners, wrap them with paper or in a blanket so their sharp edges or corners will not contact the advanced cargo net directly.

Position 1:

1. Attach four snaps onto the cargo net as shown.

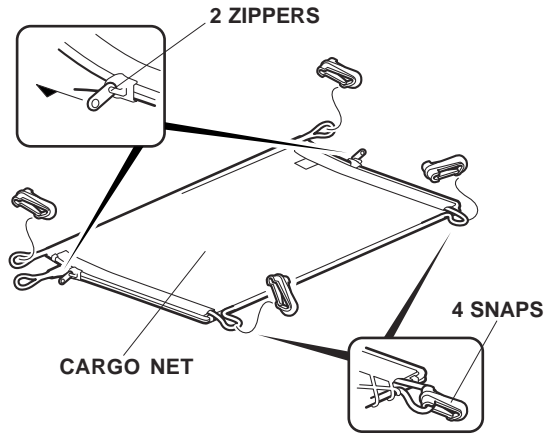


2. Attach the four snaps of the cargo net to the four tie-down hooks.



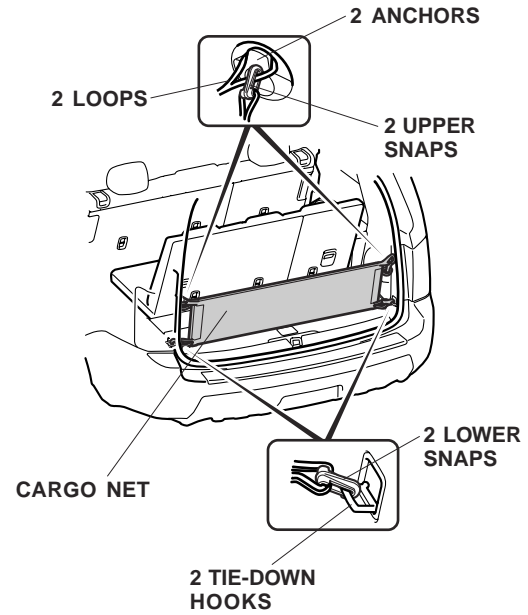
Position 2:

1. Fold the cargo net and zip up the two zippers on each side.
2. Attach four snaps onto the cargo net as shown.



3. Attach the upper two loops on the cargo net to the two anchors. Then attach the two snaps on the cargo net to the two loops as shown.

4. Attach the lower two snaps on the cargo net to the two tie-down hooks.



HONDA
The Power of Dreams