



# Bed Extender User's Information



# RIDGELINE





## Introduction

---

**Thank you for purchasing this Honda accessory.**

**Please read this user's information carefully before using the bed extender, and keep this information in the glove box for future reference.**

This product is designed to be used exclusively on a Honda Ridgeline. Honda is not responsible if the product is used for anything other than its intended purpose.

This user's information should be considered a permanent part of the vehicle. It should remain with the vehicle at all times and stay with the vehicle when sold.

### **SYMBOLS**

If instructions are preceded by the following symbols, they will give helpful advice or information.



#### **ADVICE**

- Gives advice to prevent damage to the product.
- Gives advice to handle emergency situation.



#### **INFORMATION**

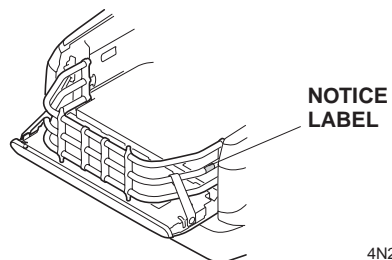
Gives helpful information or instructions to be followed in using the product.





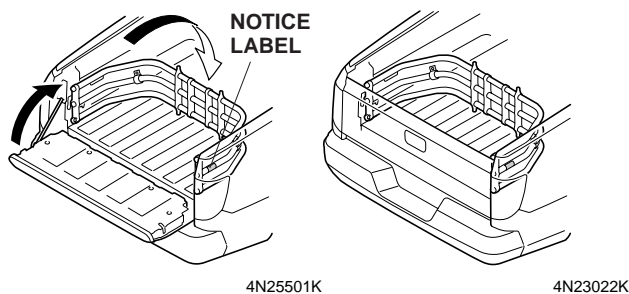
## Bed Extender Arrangement

### ■ Installation with the Tailgate Opened Flat

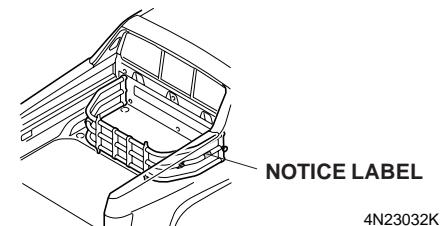


### ■ Installation with the Tailgate Closed

- Rotate the bed extender forward. Close the tailgate.



### ■ Installation in the Forward Position



### **ADVICE**

To avoid damage to the tailgate or the bed extender:

- Do not exceed 300 lbs (136 kg) on tailgate.
- Be sure extender is properly installed before driving.
- Do not secure cargo to the tailgate or the extender.

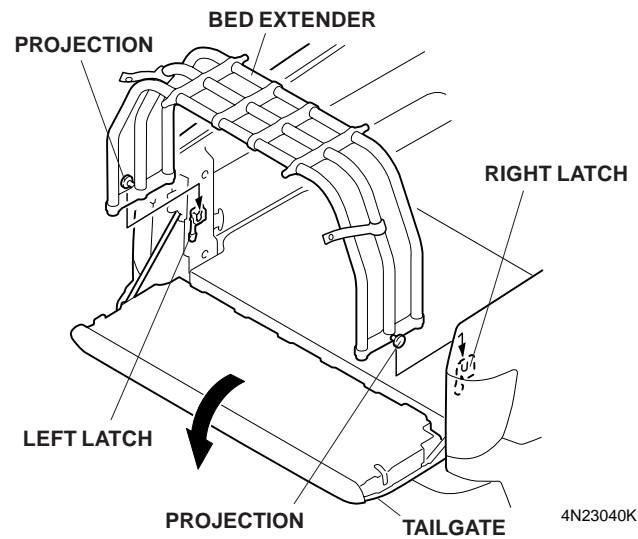
### **INFORMATION**

Install the bed extender so that the notice label comes to the right side of the vehicle.

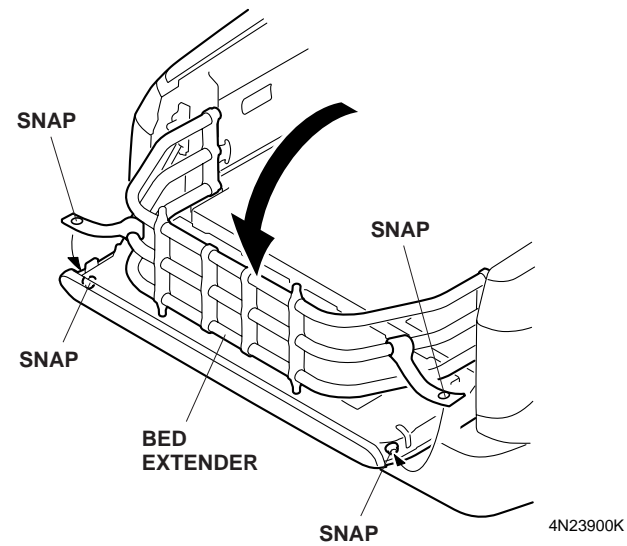
## Installation

### ■ Installing the Bed Extender Vertically:

- Open the tailgate. Insert the right and left projections from the bed extender into the right and left latches.



- Rotate the bed extender backward. Snap the straps attached to the bed extender to the snaps.

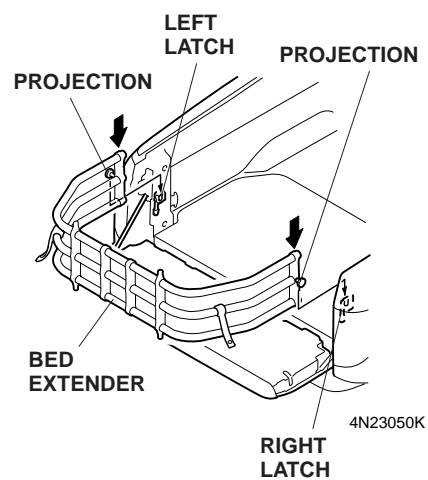




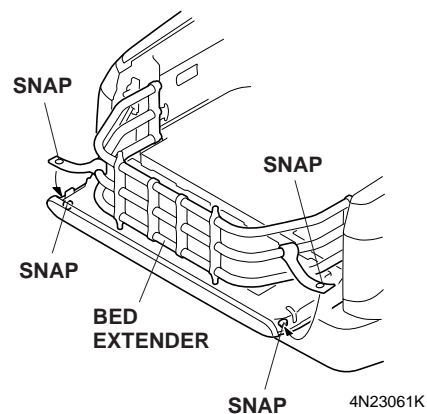
## Installation

### ■ Installing the Bed Extender Horizontally:

- Insert the right and left projections from the bed extender into the right and left latches. Push down the bed extender until the engaged parts lock.

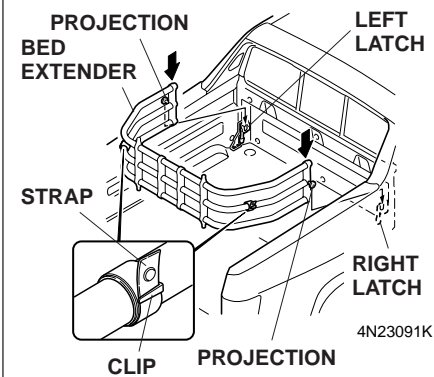


- Snap the straps attached to the bed extender to the snap.



### ■ Installing the Bed Extender in the Forward Position

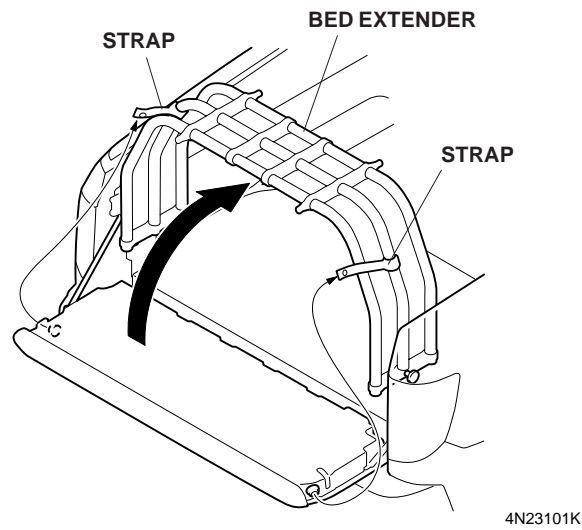
- Wind each strap onto a bar of the bed extender and secure the straps as shown.
- Insert the right and left projections from the bed extender into the right and left latches on the front brackets. Push down the bed extender until the engaged parts lock.



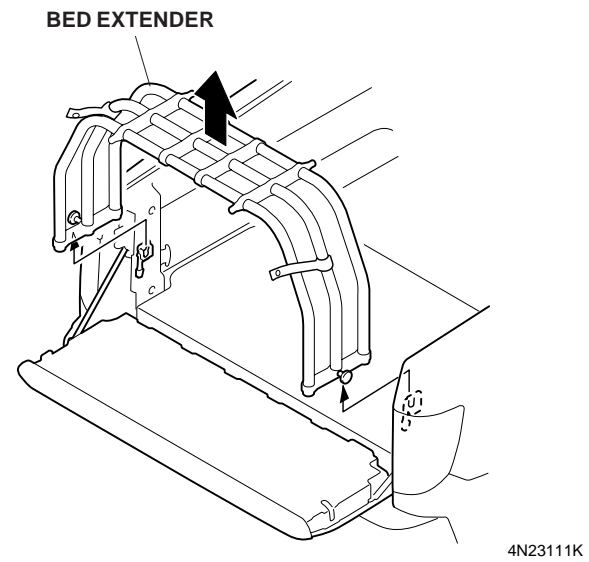
## Removal

### ■ Removing the Bed Extender Vertically:

- Unsnap the straps and rotate the bed extender upward.



- Pull the bed extender up to remove. Close the tailgate.

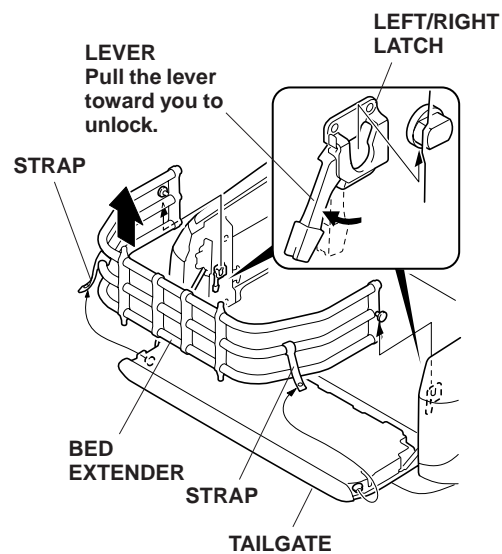




## Removal

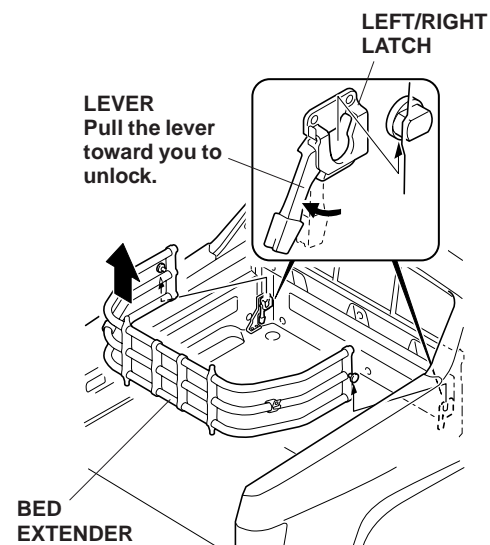
### ■ Removing the Bed Extender Horizontally:

- Unsnap the straps. Unlock the right and left latches by pulling the lever toward you and remove the bed extender by pulling it up straight.
- Close the tailgate.



### ■ Removing the Bed Extender from the Forward Position

- Unlock the right and left latches by pulling the lever toward you then remove the bed extender by pulling it up straight.





**HONDA**  
The Power of Dreams

