



# Illustrated Parts List

## Model Series

# 10A900

TYPE NUMBERS  
0015 through 2299.

### TABLE OF CONTENTS

<b>Air Cleaner</b> .....	5
<b>Blower Housing/Shrouds</b> .....	7
<b>Brake</b> .....	7
<b>Camshaft</b> .....	3
<b>Carburetor</b> .....	4
<b>Controls</b> .....	5
<b>Crankcase Cover/Sump</b> .....	3
<b>Crankshaft</b> .....	3
<b>Cylinder</b> .....	2
<b>Cylinder Head</b> .....	2
<b>Exhaust System</b> .....	6
<b>Flywheel</b> .....	7
<b>Fuel Supply</b> .....	4
<b>Gasket Set - Engine</b> .....	2
<b>Gasket Set - Valve</b> .....	2
<b>Governor Spring</b> .....	5
<b>Ignition</b> .....	5
<b>Lubrication</b> .....	2
<b>Operator's Manual</b> .....	2
<b>Piston/Rings/Connecting Rod</b> .....	3
<b>Rewind Starter</b> .....	8
<b>Warning Label</b> .....	2

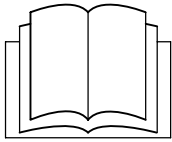
PRINTED IN U.S.A.



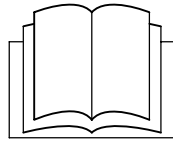
COPYRIGHT by BRIGGS & STRATTON CORPORATION  
All rights reserved. No part of this material may be reproduced or transmitted,  
in any form or by any means, electronic or mechanical, including photocopying,  
recording or by any information storage and retrieval system, without permission  
in writing from Briggs & Stratton Corporation.

# 10A900

1058 OPERATOR'S MANUAL



1330 REPAIR MANUAL

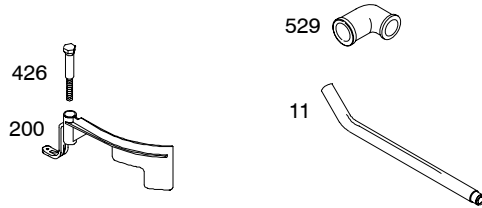
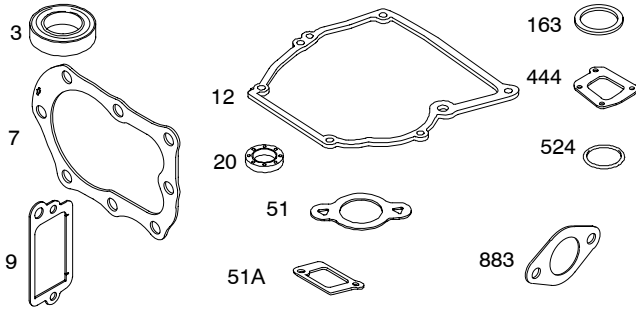


1319 WARNING LABEL

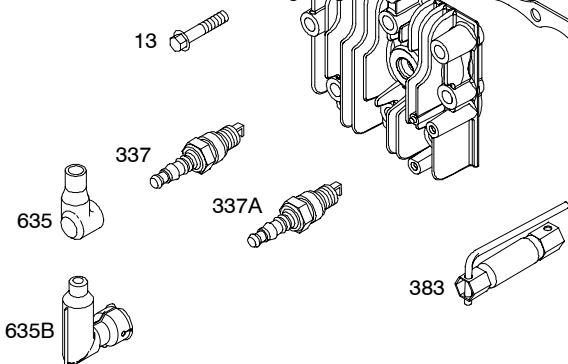
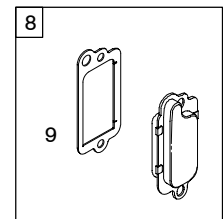
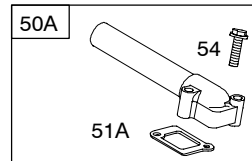
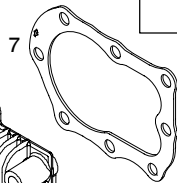
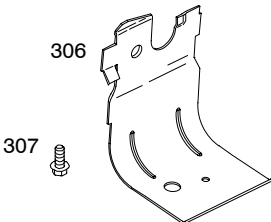
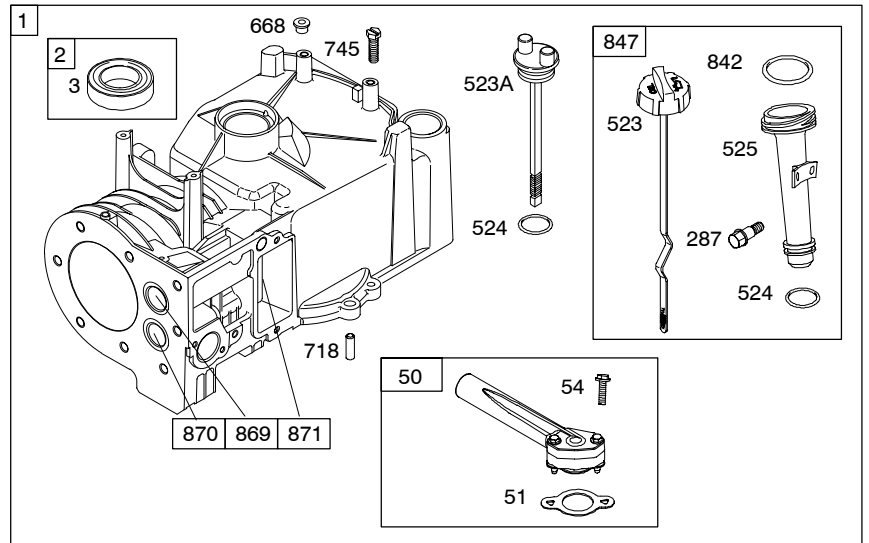
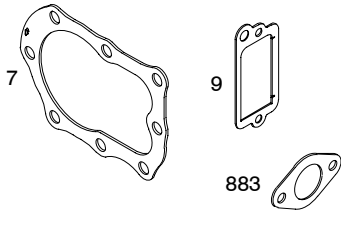
<b>WARNING</b>	
	Read and follow Operating Instructions before running engine.
	Gasoline is flammable. Allow engine to cool at least 2 minutes before refueling.
	Engines emit carbon monoxide, DO NOT run in enclosed area.
	Muffler area temperature may exceed 150°F. Do not touch hot parts.

**REQUIRED** when replacing parts with warning labels affixed.

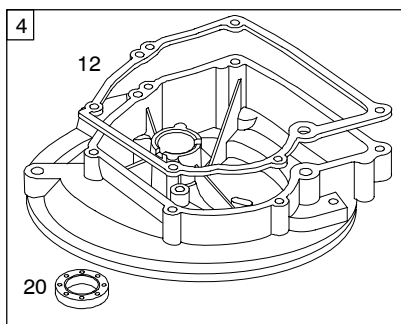
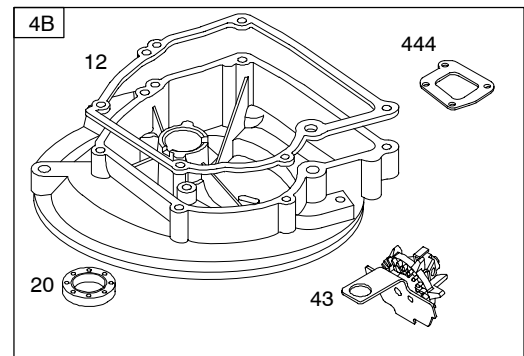
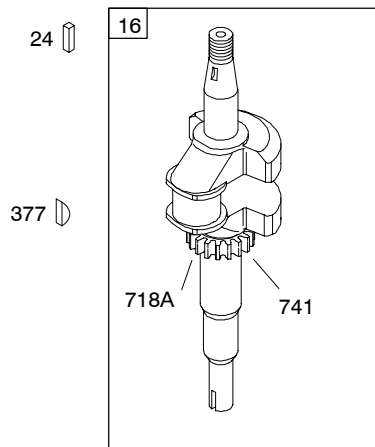
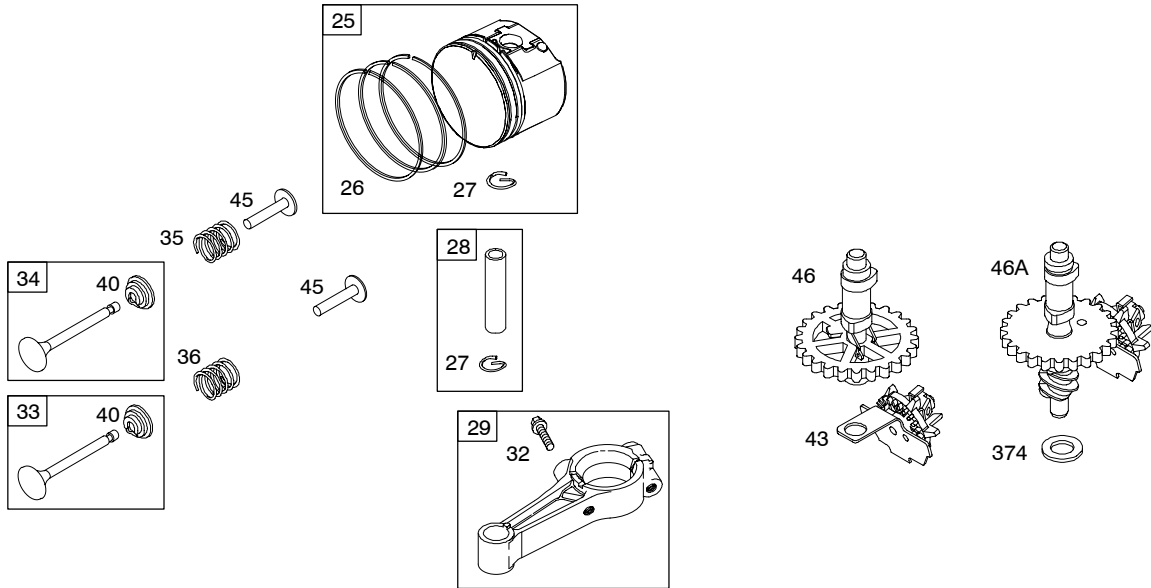
358 ENGINE GASKET SET



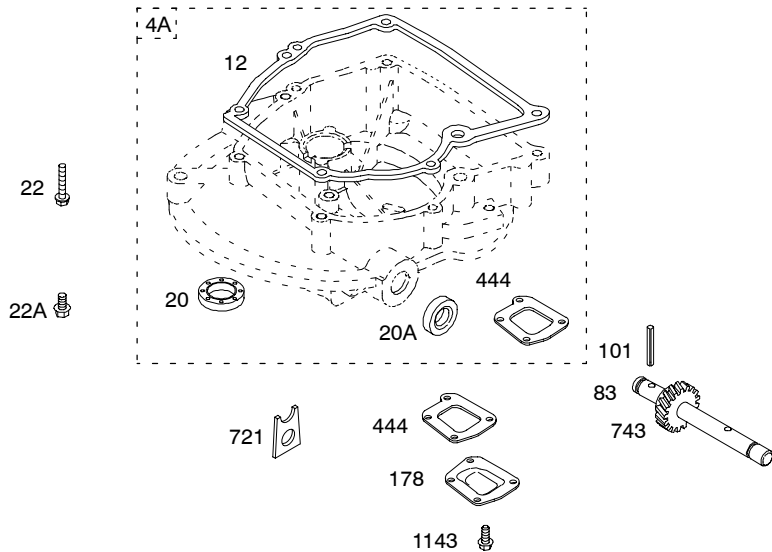
1095 VALVE GASKET SET



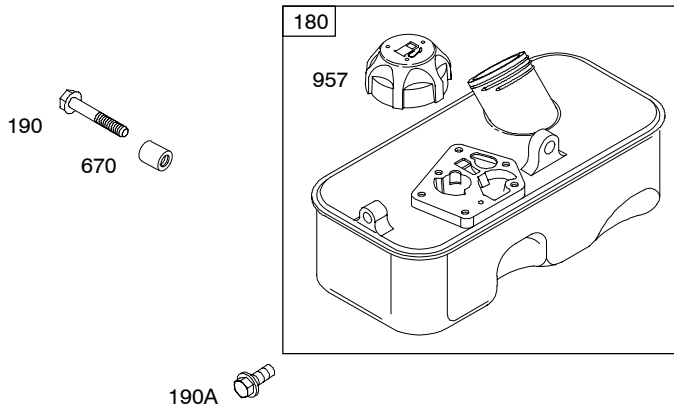
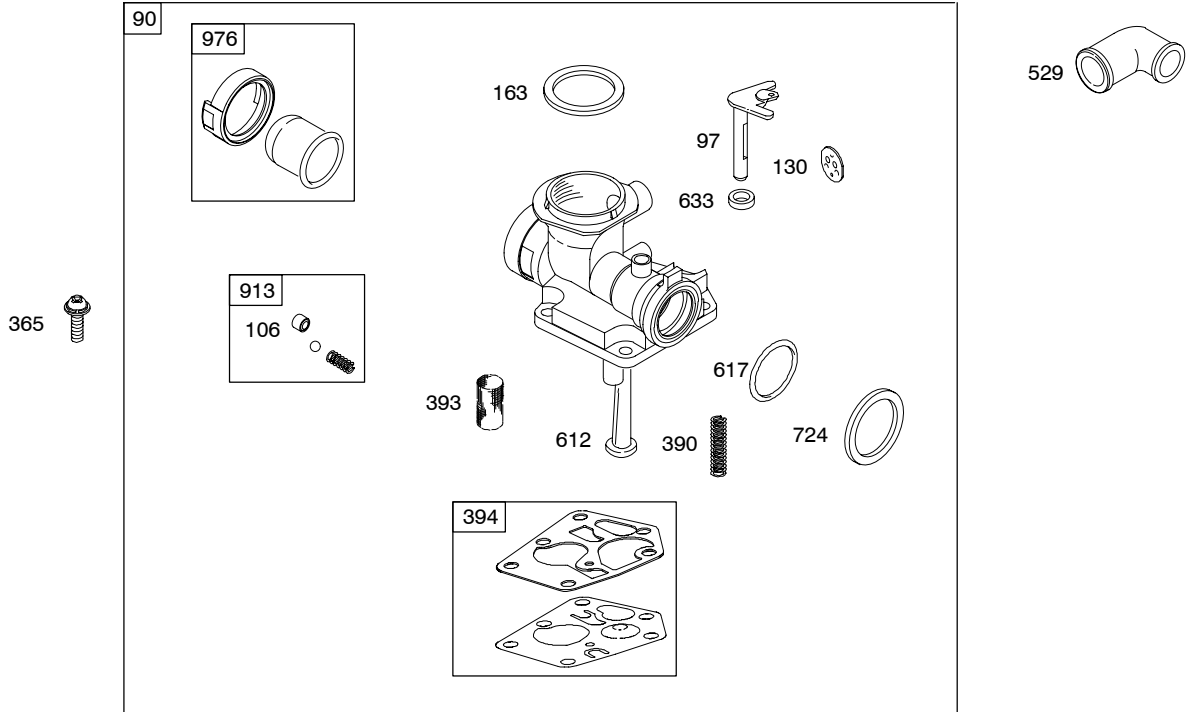
Illustrations cover a range of engines. Parts shown without corresponding text may not be used on your specific engine.



15

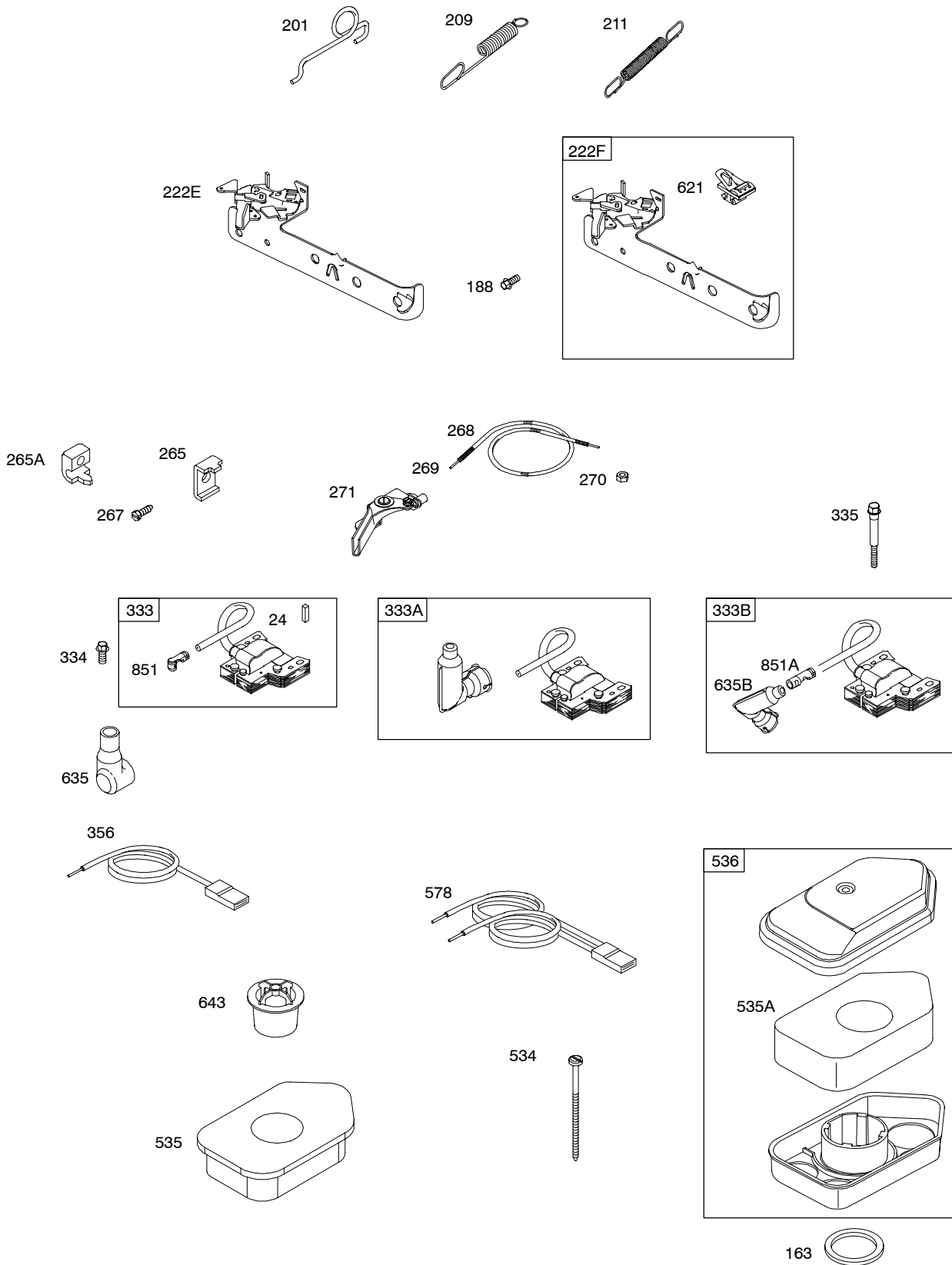


Illustrations cover a range of engines. Parts shown without corresponding text may not be used on your specific engine.  
 0669-3 Assemblies include all parts shown in frames. 02/20/2008



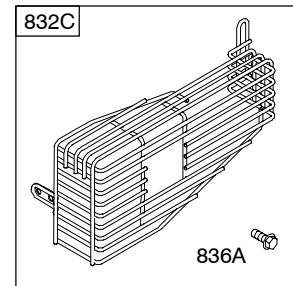
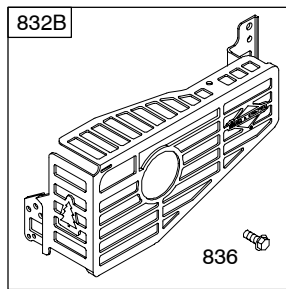
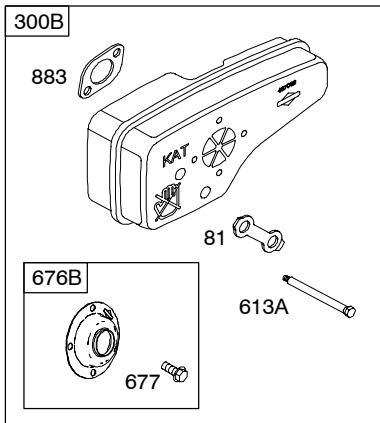
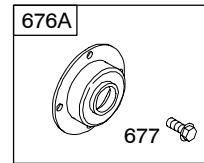
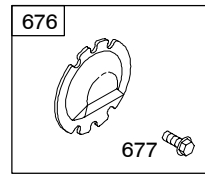
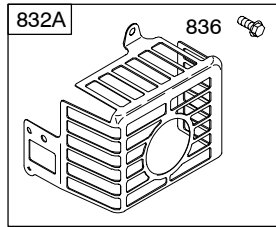
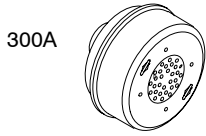
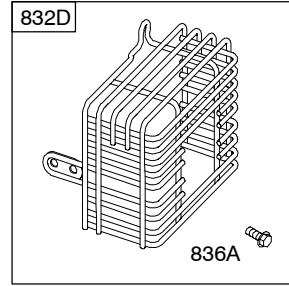
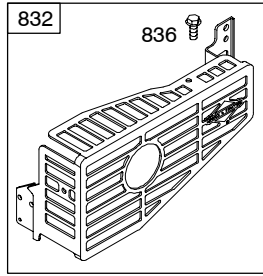
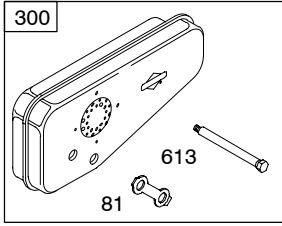
Illustrations cover a range of engines. Parts shown without corresponding text may not be used on your specific engine.  
 0669-4 Assemblies include all parts shown in frames.

02/20/2008



Illustrations cover a range of engines. Parts shown without corresponding text may not be used on your specific engine.  
 0669-5 Assemblies include all parts shown in frames. 02/20/2008

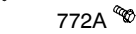
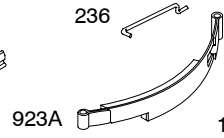
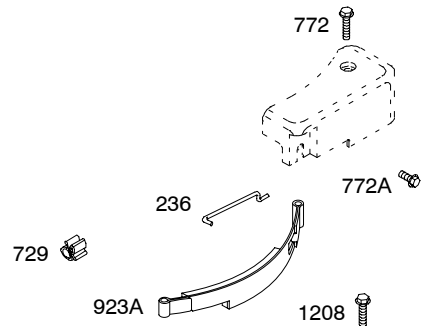
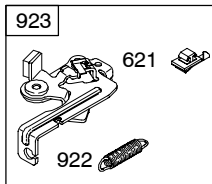
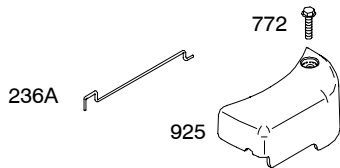
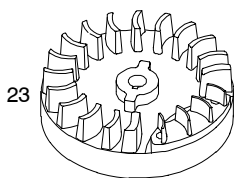
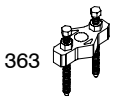
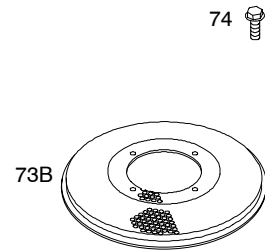
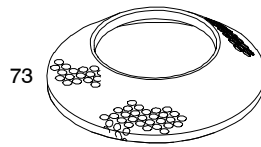
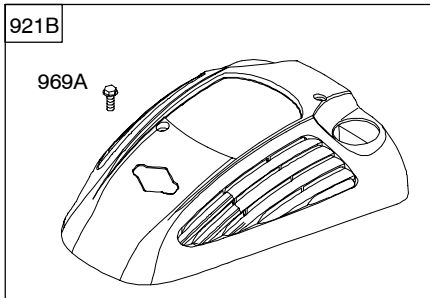
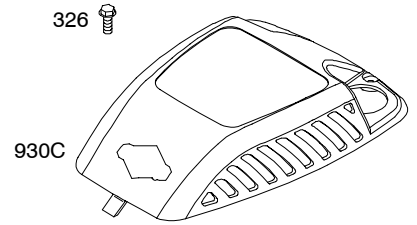
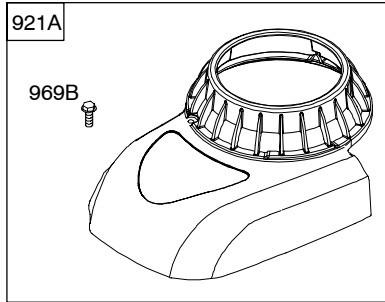
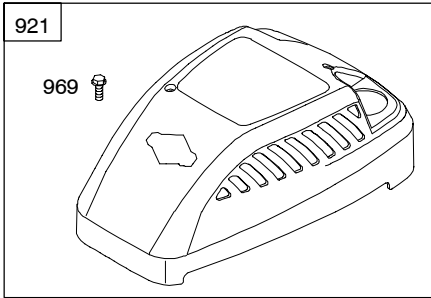
# 10A900



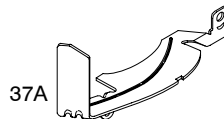
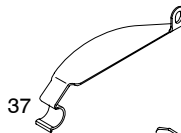
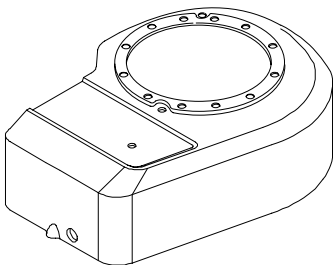
Illustrations cover a range of engines. Parts shown without corresponding text may not be used on your specific engine.  
0669-6 Assemblies include all parts shown in frames.

02/20/2008

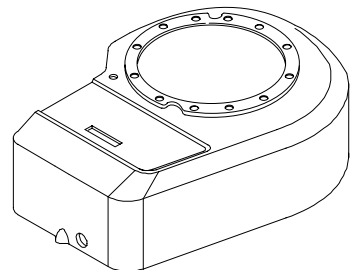
1036 EMISSIONS LABEL



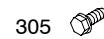
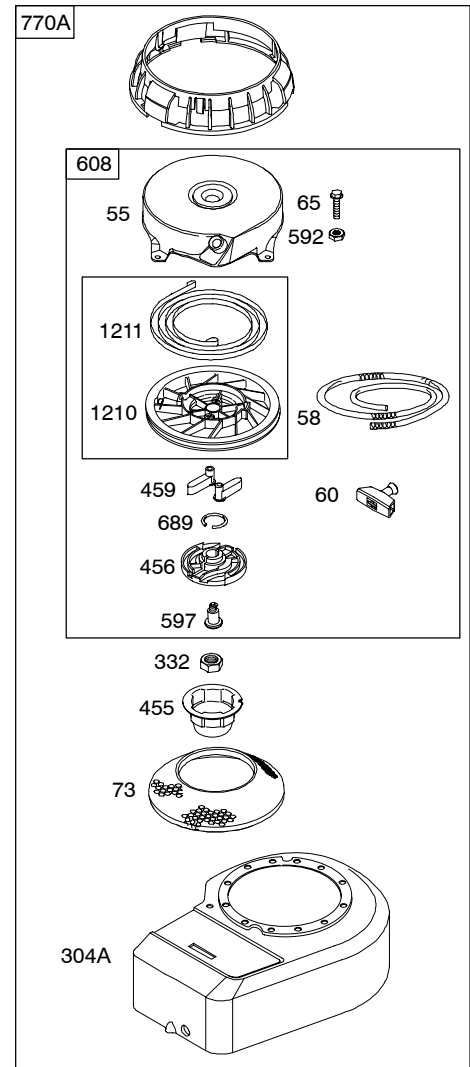
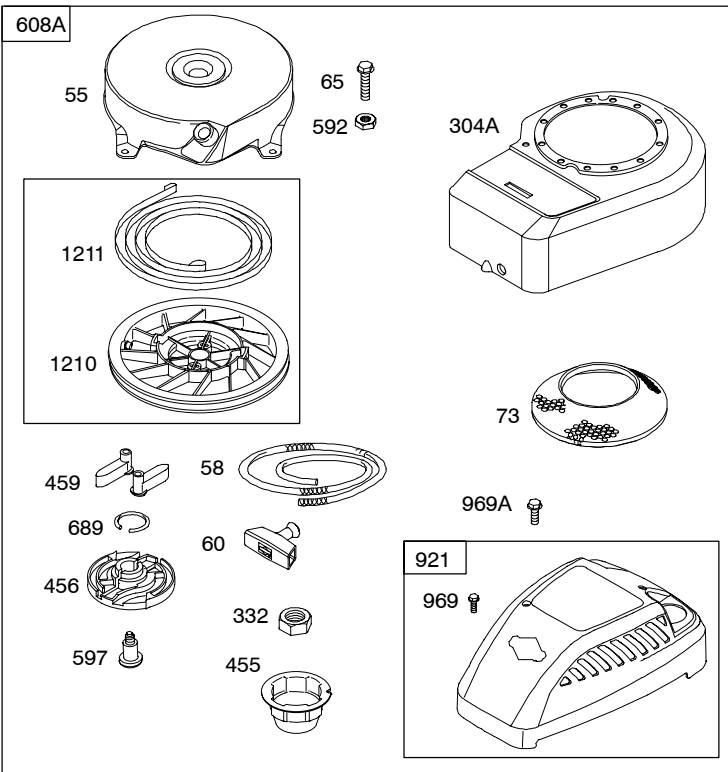
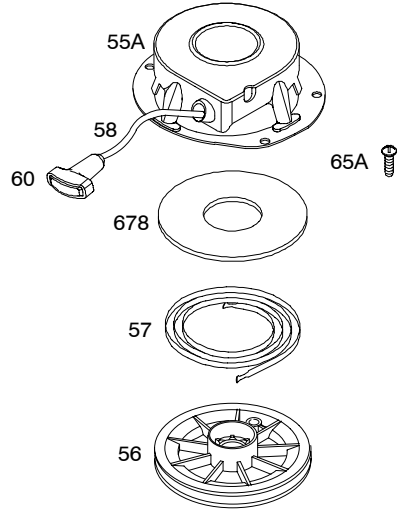
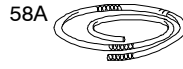
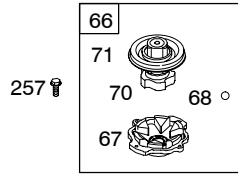
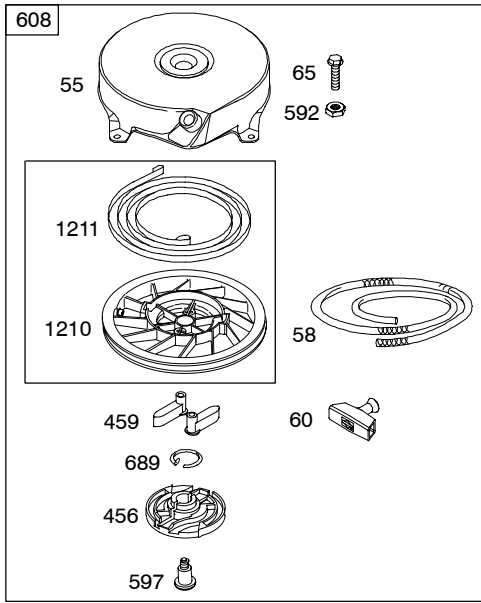
304



304A



Illustrations cover a range of engines. Parts shown without corresponding text may not be used on your specific engine.  
 0669-7 Assemblies include all parts shown in frames. 02/20/2008



Illustrations cover a range of engines. Parts shown without corresponding text may not be used on your specific engine.



REF. NO.	PART NO.	DESCRIPTION	REF. NO.	PART NO.	DESCRIPTION	REF. NO.	PART NO.	DESCRIPTION
1	699653	Cylinder Assembly	15	691680	Plug–Oil Drain		691472	Crankshaft
2	399269	Kit–Bushing/Seal (Magneto Side)	16	496838	Crankshaft			Used on Type No(s). 0219, 0479, 1019, 1615, 1650, 1651, 2001, 2004, 2005, 2007, 2008, 2010, 2011, 2027, 2028, 2031, 2034, 2035, 2050, 2064, 2067, 2072, 2075, 2087, 2092, 2101, 2107, 2124, 2126, 2130, 2132, 2135, 2142, 2143, 2145, 2146, 2148, 2149, 2151, 2153, 2164, 2171, 2189, 2190, 2234, 2250, 2255, 2256, 2257, 2258, 2260, 2262, 2263, 2264, 2265, 2267, 2268, 2269, 2271, 2273, 2277, 2280, 2284, 2289, 2290, 2292, 2293, 2295, 2298, 2299.
3	★299819S	Seal–Oil (Magneto Side)			----- <b>Note</b> ----- 692989 Crankshaft Used on Type No(s). 1605, 1618, 2029, 2083, 2090, 2140, 2180, 2233, 2252, 2253, 2254, 2259, 2261, 2279, 2285, 2286, 2291.			
4	698691	Sump–Engine (Used After Code Date 02111200). ----- <b>Note</b> ----- 395384 Sump–Engine (Used Before Code Date 02111300).			691406 Crankshaft Used on Type No(s). 0016, 0106, 0107, 0108, 0109, 0157, 0161, 0163, 0169, 0182, 0184, 0193, 0195, 0196, 0215, 0217, 0222, 0223, 0228, 0229, 0239, 0241, 0423, 0439, 0616.			
4A		Sump–Engine (NO LONGER AVAILABLE) Used on Type No(s). 0050, 0051, 0159, 0167, 0169, 0173, 0186, 0193, 0197, 0202, 0206, 0211, 0219, 0230, 0430, 0650, 0651, 1019, 1650, 1651, 2067, 2130, 2169, 2254, 2258, 2259, 2261, 2285.			496839 Crankshaft Used on Type No(s). 0018, 0156, 0183, 0190, 0233, 0240, 0483, 0505, 0506, 0618.			
4B	699084	Sump–Engine Used on Type No(s). 2266.			691471 Crankshaft Used on Type No(s). 0236, 0250, 1021, 1022, 1023, 1025, 1026, 1028, 1616, 2003, 2032, 2033, 2040, 2052, 2070, 2073, 2082, 2084, 2094, 2106, 2108, 2109, 2110, 2121, 2123, 2128, 2139, 2152, 2169, 2251, 2270, 2272, 2275, 2278, 2281, 2282, 2287, 2288, 2294, 2296, 2297.			693472 Crankshaft Used on Type No(s). 2266. 695413 Crankshaft Used on Type No(s). 1024.
5	790169	Head–Cylinder						
7	★Δ698717	Gasket–Cylinder Head						
8	791781	Breather Assembly						
9	★Δ695890	Gasket–Breather						
10	691666	Screw (Breather Assembly)						
11	691245	Tube–Breather						
12	★692218	Gasket–Crankcase (.015" Thick) (Standard) ----- <b>Note</b> ----- ★270895 Gasket– Crankcase (.005" Thick) ★270896 Gasket– Crankcase (.009" Thick)						
13	691640	Screw (Cylinder Head)						
						20	★391483S	Seal–Oil (PTO Side)
						20A	★691952	Seal–Oil (PTO Side) (Auxiliary PTO)
						22	692551	Screw (Crankcase Cover/Sump) (1 1/4" Long)
						22A	691108	Screw (Crankcase Cover/Sump) (3/4" Long)

★ Engine Gasket Set–Reference 358

Δ Valve Gasket Set–Reference 1095

*Illustrations cover a range of engines. Parts shown without corresponding text may not be used on your specific engine.*

0669–9

Assemblies include all parts shown in frames.

02/20/2008

# 10A900

REF. NO.	PART NO.	DESCRIPTION	REF. NO.	PART NO.	DESCRIPTION	REF. NO.	PART NO.	DESCRIPTION
<b>23</b>	<b>795549</b>	Flywheel (Used After Code Date 07121100). ----- <b>Note</b> ----- <b>692009</b> Flywheel (Used Before Code Date 07121200). <b>690843</b> Flywheel Used on Type No(s). 0156, 0157, 0161, 0190, 0198, 0208, 0215, 0233, 0240, 0505, 0506, 1023, 1024, 1605, 2032, 2082, 2090, 2108, 2109, 2233, 2257, 2263, 2265, 2266, 2270, 2281, 2282. <b>795695</b> Flywheel (Used After Code Date 08012900). Used on Type No(s). 2140. <b>690843</b> Flywheel (Used Before Code Date 08013000). Used on Type No(s). 2140.	<b>25</b>	<b>790908</b>	Piston Assembly (Standard) (Used After Code Date 04111400). ----- <b>Note</b> ----- <b>699657</b> Piston Assembly (Standard) (Used Before Code Date 04111500).  <b>792532</b> Piston Assembly (.020" Oversize) (Used After Code Date 96020500). <b>298906</b> Piston Assembly (.020" Oversize) (Used Before Code Date 96020600).  <b>298907</b> Piston Assembly (.030" Oversize) (Used Before Code Date 96020600).	<b>26</b>	<b>790909</b>	Ring Set (Standard) (Used After Code Date 04111400). ----- <b>Note</b> ----- <b>699658</b> Ring Set (Standard) (Used After Code Date 03080300 and Before Code Date 04111500). <b>498680</b> Ring Set (Standard) (Used After Code Date 96020500 and Before Code Date 03080400). <b>298982</b> Ring Set (Standard) (Used Before Code Date 96020600).  <b>792533</b> Ring Set (.020" Oversize) (Used After Code Date 04111400). <b>498682</b> Ring Set (.020" Oversize) (Used After Code Date 96020500 and Before Code Date 04111500). <b>298984</b> Ring Set (.020" Oversize) (Used Before Code Date 96020600).  <b>498683</b> Ring Set (.030" Oversize) (Used After Code Date 96020500 and Before Code Date 04111500).
<b>24</b>	<b>222698S</b>	Key-Flywheel				<b>27</b>	<b>691588</b>	Lock-Piston Pin
						<b>28</b>	<b>699659</b>	Pin-Piston (Standard) (Used After Code Date 03093000). ----- <b>Note</b> ----- <b>298909</b> Pin-Piston (Standard) (Used Before Code Date 03100100). <b>298908</b> Pin-Piston (.005" Oversize) (Used Before Code Date 03100100).
						<b>29</b>	<b>699654</b>	Rod-Connecting
						<b>32</b>	<b>691664</b>	Screw (Connecting Rod)

★ Engine Gasket Set-Reference 358

△ Valve Gasket Set-Reference 1095

*Illustrations cover a range of engines. Parts shown without corresponding text may not be used on your specific engine.*

# 10A900

REF. NO.	PART NO.	DESCRIPTION	REF. NO.	PART NO.	DESCRIPTION	REF. NO.	PART NO.	DESCRIPTION
33	296676	Valve-Exhaust	58A	697316	Rope-Starter (88 5/8" Long)	90	498811	Carburetor (Used After Code Date 96051900).
34	296677	Valve-Intake	60	691915	Grip-Starter Rope			----- <b>Note</b> -----
35	690520	Spring-Valve (Intake)	65	690837	Screw (Rewind Starter)			<b>497619</b> Carburetor (Used Before Code Date 96052000).
36	690520	Spring-Valve (Exhaust)	65A	690338	Screw (Rewind Starter)	97	691931	Shaft-Throttle
37	690482	Guard-Flywheel (Carburetor Side)	66	399671	Clutch-Starter	101	691623	Pin-Shaft
37A	691209	Guard-Flywheel (Muffler Side)	67	394897	Housing-Clutch	106	691901	Seat-Inlet
40	692194	Retainer-Valve	68	691604	Ball-Clutch	130	691190	Valve-Throttle
43	698690	Slinger-Governor/Oil (Used After Code Date 02110400).	70	691945	Ratchet-Clutch	163	★271139S	Gasket-Air Cleaner
		----- <b>Note</b> -----	71	691359	Cover-Ratchet	178	690398	Cover-Drive Gear
		<b>691983</b> Slinger- Governor/Oil (Used Before Code Date 02110500).	73	699850	Screen-Rotating (Used After Code Date 97052500).	180	494406	Tank-Fuel
45	691762	Tappet-Valve	73B	691725	Screen-Rotating (Used Before Code Date 97052600).	181	493982S	Cap-Fuel Tank
46	691998	Camshaft	74	691627	Screw (Rotating Screen)	188	692198	Screw (Control Bracket)
46A	690644	Camshaft (Counterclockwise)	75	691736	Washer (Flywheel)	190	691640	Screw (Fuel Tank) (1 3/4" Long)
		----- <b>Note</b> -----	78	692198	Screw (Flywheel Guard)	190A	692198	Screw (Fuel Tank)
		<b>690645</b> Camshaft (Clockwise) Used on Type No(s). 0051, 0186, 0651, 1651.	81	691179	Lock-Muffler Screw	200	691912	Blade-Governor
50	699644	Manifold-Intake (Used After Code Date 03080300).	83	691240	Shaft-Auxiliary Drive Used on Type No(s). 0051, 0169, 0173, 0186, 0197, 0202, 0211, 0230, 0430, 0651, 1651, 2073, 2130, 2169.	201	690347	Link-Air Vane (1/2" Long)
50A	693446	Manifold-Intake (Used Before Code Date 03080400).			----- <b>Note</b> -----			
51	★699649	Gasket-Intake (Used After Code Date 03080300).			<b>690506</b> Shaft-Auxiliary Drive Used on Type No(s). 0050, 0167, 0219, 0650, 1019, 1650, 2067.			
51A	270345S	Gasket-Intake (Used Before Code Date 03080400).			<b>691249</b> Shaft-Auxiliary Drive Used on Type No(s). 0159, 0193, 0206, 2254, 2259, 2261, 2285.			
54	691111	Screw (Intake Manifold)						
55	692144	Housing-Rewind Starter						
55A	393576	Housing-Rewind						
56	280439S	Pulley-Starter						
57	490179	Spring-Rewind Starter						
58	691921	Rope-Starter (70" Long)						

★ Engine Gasket Set-Reference 358

△ Valve Gasket Set-Reference 1095

*Illustrations cover a range of engines. Parts shown without corresponding text may not be used on your specific engine.*

0669-11

Assemblies include all parts shown in frames.

02/20/2008

# 10A900

REF. NO.	PART NO.	DESCRIPTION	REF. NO.	PART NO.	DESCRIPTION	REF. NO.	PART NO.	DESCRIPTION
<b>209</b>	<b>690254</b>	Spring–Governor (Used After Code Date 96051900). ----- <b>Note</b> ----- <b>692211</b> Spring–Governor (Used Before Code Date 96052000). Used on Type No(s). 0015, 0016, 0018, 0050, 0051, 0106, 0107, 0108, 0109, 0158, 0161, 0167, 0168, 0169, 0175, 0181, 0182, 0183, 0184, 0187, 0193, 0194, 0195, 0196, 0197, 0202, 0203, 0205, 0211, 0213, 0215. <b>690250</b> Spring–Governor (Used After Code Date 96051900). Used on Type No(s). 0198, 0208, 0233, 0248, 0506, 2072, 2108. <b>691862</b> Spring–Governor (Used After Code Date 96051900). Used on Type No(s). 0156, 0157, 0240, 0505, 2233, 2257. <b>690252</b> Spring–Governor (Used After Code Date 96051900). Used on Type No(s). 0190. <b>691297</b> Spring–Governor (Used After Code Date 96051900). Used on Type No(s). 0163, 0172, 0232, 0242, 2028, 2072, 2132, 2142, 2143, 2148, 2149, 2164, 2255, 2268, 2279, 2282, 2288, 2289, 2292.			<b>262942</b> Spring–Governor (Used Before Code Date 96052000). Used on Type No(s). 0156, 0157, 0187, 0190, 0198, 0208, 0505. <b>690251</b> Spring–Governor (Used After Code Date 96051900). Used on Type No(s). 0164, 0166, 0207, 0212, 0235, 0244, 0245, 0246, 0479, 1615, 1616, 1618, 1650, 1651, 2001, 2003, 2005, 2029, 2031, 2034, 2040, 2064, 2070, 2073, 2083, 2084, 2092, 2094, 2107, 2121, 2123, 2124, 2126, 2130, 2135, 2139, 2145, 2146, 2152, 2171, 2180, 2189, 2190, 2234, 2250, 2252, 2253, 2254, 2258, 2259, 2261, 2264, 2267, 2269, 2271, 2273, 2277, 2278, 2280, 2281, 2284, 2285, 2286, 2287, 2290, 2291, 2293, 2298, 2299. <b>692531</b> Spring–Governor (Used Before Code Date 96052000). Used on Type No(s). 0164, 0166, 0207, 0212. <b>691861</b> Spring–Governor (Used After Code Date 96051900). Used on Type No(s). 0161, 1028, 2032, 2082, 2109, 2263, 2270.			<b>262760</b> Spring–Governor (Used Before Code Date 96052000). Used on Type No(s). 0101, 0159, 0160, 0162, 0171, 0173, 0178, 0179, 0180, 0186, 0188, 0189, 0192, 0204, 0206. <b>692698</b> Spring–Governor Used on Type No(s). 1023, 1024, 1605, 2090, 2140, 2265, 2266. <b>211</b> <b>691859</b> Spring–Governed Idle <b>222E</b> <b>691446</b> Bracket–Control <b>222F</b> <b>691445</b> Bracket–Control <b>236</b> <b>691826</b> Link–Lockout (Used Before Code Date 97071400). Used on Type No(s). 0015, 0016, 0018, 0050, 0051, 0615, 0616, 0618, 0650, 0651, 2250. <b>236A</b> <b>691867</b> Link–Lockout (Used After Code Date 97071300). Used on Type No(s). 1615, 1616, 1618, 1650, 1651, 2050, 2052, 2152, 2250, 2278. <b>257</b> <b>691660</b> Screw (Starter Clutch) <b>265</b> <b>691024</b> Clamp–Casing <b>265A</b> <b>690798</b> Clamp–Casing <b>267</b> <b>691044</b> Screw (Casing Clamp) <b>268</b> <b>691025</b> Casing–Control Wire (72" Long) (Cut To Required Length) <b>269</b> <b>691026</b> Wire–Control (78" Long) (Cut To Required Length) <b>270</b> <b>691027</b> Nut (Control Wire Casing)

★ Engine Gasket Set–Reference 358

△ Valve Gasket Set–Reference 1095

*Illustrations cover a range of engines. Parts shown without corresponding text may not be used on your specific engine.*

# 10A900

REF. NO.	PART NO.	DESCRIPTION	REF. NO.	PART NO.	DESCRIPTION	REF. NO.	PART NO.	DESCRIPTION
271	691028	Lever-Control	332	690662	Nut (Flywheel)	356	692390	Wire-Stop
287	691002	Screw (Dipstick Tube)	333	793281	Armature-Magneto	358	699933	Gasket Set-Engine
300	692307	Muffler (Super Lo Tone)	333A	792594	Armature-Magneto (Screw On Spark Plug Boot) (Used After Code Date 06073000 and Before Code Date 06082100). Used on Type No(s). 2008, 2010.	363	19069	Puller-Flywheel
300A	394569S	Muffler (Round Lo Tone)	333B	793352	Armature-Magneto (Snap In Spark Plug Boot) (Used After Code Date 06082000). Used on Type No(s). 2008, 2010, 2011.	365	790029	Screw (Carburetor)
300B	499493	Muffler (Catalyst) Used on Type No(s). 0219, 0236, 0250, 1019, 1020, 1021, 1022, 1025, 1026, 1028, 2280.	334	691061	Screw (Magneto Armature) (1" Long)	374	691074	Washer (Camshaft)
304	691484	Housing-Blower (Compliance Engines) (Used Before Code Date 99010400). ----- <b>Note</b> ----- 692536 Housing- Blower (Non Compliance Engines) (Used Before Code Date 99010400).	335	691107	Screw (Magneto Armature With Air Vane) (1 15/16" Long)	377	692193	Key-Woodruff (Used Before Code Date 97100600). Used on Type No(s). 0164, 0232.
304A	694236	Housing-Blower (Compliance Engines) (Used After Code Date 99010300). ----- <b>Note</b> ----- 694051 Housing- Blower (Non Compliance Engines) (Used After Code Date 99010300).	337	802592S	Plug-Spark ----- <b>Note</b> ----- 802592S Plug-Spark (Used After Code Date 06073000). Used on Type No(s). 2008, 2010.	383	89838S	Wrench-Spark Plug
305	692198	Screw (Blower Housing)	337A	697451	Plug-Spark Used on Type No(s). 1615, 1616, 1618, 1650, 1651, 2004, 2007, 2028, 2033, 2034, 2050, 2052, 2072, 2073, 2075, 2082, 2084, 2087, 2094, 2106, 2108, 2110, 2135, 2143, 2153, 2164, 2250, 2262, 2270, 2275, 2282, 2293, 2294, 2295, 2296, 2297, 2298, 2299. ----- <b>Note</b> ----- 697451 Plug-Spark (Used Before Code Date 06073100). Used on Type No(s). 2008, 2010.	390	691839	Spring-Choke Diaphragm
306	690400	Shield-Cylinder (Used Before Code Date 04071400).				393	691837	Screen-Carburetor
307	690345	Screw (Cylinder Shield) (Used Before Code Date 04071400).				394	795083	Diaphragm-Carburetor (Used After Code Date 07080800). ----- <b>Note</b> ----- 495770 Diaphragm- Carburetor (Used Before Code Date 07080900).
326	694046	Screw (Rewind Guard) (2 1/4" Long) (Used After Code Date 99010300). ----- <b>Note</b> ----- 691141 Screw (Rewind Guard) (1/2" Long) (Used Before Code Date 99010400).				426	691107	Screw (Governor Blade)
						444	★691868	Gasket-Drive Gear Cover
						455	691236	Cup-Flywheel
						456	692299	Plate-Pawl Friction
						459	281505S	Pawl-Ratchet
						523	692040	Dipstick
						523A	691913	Dipstick Used on Type No(s). 2027, 2034, 2190.
						524	★691876	Seal-Dipstick Tube
						525	691320	Tube-Dipstick
						529	692189	Grommet
						534	691417	Screw (Air Cleaner)
						535	272235S	Filter-Air Cleaner Foam (Used Before Code Date 02090100).
						535A	698369	Filter-Air Cleaner Foam (Used After Code Date 02083000).

★ Engine Gasket Set-Reference 358

△ Valve Gasket Set-Reference 1095

*Illustrations cover a range of engines. Parts shown without corresponding text may not be used on your specific engine.*

0669-13

Assemblies include all parts shown in frames.

02/20/2008

# 10A900

REF. NO.	PART NO.	DESCRIPTION	REF. NO.	PART NO.	DESCRIPTION	REF. NO.	PART NO.	DESCRIPTION
536	698472	Cleaner–Air	635B	793351	Boot–Spark Plug (Snap In Style) Used on Type No(s). 2011.	721	690397	Stop–Shaft
578	398153	Wire Assembly Used on Type No(s). 0015, 0016, 0018, 0050, 0051, 0615, 0616, 0618, 0650, 0651, 1615, 1616, 1618, 1650, 1651, 2050, 2052, 2152, 2250, 2278, 2296.			----- <b>Note</b> ----- <b>793351</b> Boot–Spark Plug (Snap In Style) (Used After Code Date 06073000). Used on Type No(s). 2008, 2010.	724	697478	Retainer–Seal
592	690800	Nut (Rewind Starter)				729	690586	Clip–Wire
597	691696	Screw (Pawl Friction Plate)	643	691911	Retainer–Air Filter (Used Before Code Date 97100600).	741	691805	Gear–Timing
608	499706	Starter–Rewind (88 5/8" Rope) (Used After Code Date 97071300).				743	691772	Gear–Drive ----- <b>Note</b> ----- <b>690516</b> Gear–Drive Used on Type No(s). 0051, 0186, 0651, 1651.
608A	499926	Starter–Rewind (Non Compliance Engines) (70" Rope)	668	692889	Spacer	745	691146	Screw (Brake) (7/8" Long)
612	496046S	Tube–Pick Up	670	691633	Spacer–Fuel Tank (Used After Code Date 97071300). ----- <b>Note</b> ----- <b>691631</b> Spacer–Fuel Tank (Used Before Code Date 97071400).	745A	690859	Screw (Brake) (1/2" Long)
613	691413	Screw (Muffler) (Super Lo Tone)				770A	499915	Kit–Rewind/Blower Housing (Compliance Engines) (Used Before Code Date 97100600).
613A	691114	Screw (Muffler) (Catalyst) Used on Type No(s). 0219, 0236, 0250, 1019, 1020, 1021, 1022, 1025, 1026, 1028, 2280.	676	393756	Deflector–Muffler (Side Out)	772	691111	Screw (Linkage Cover) (1 1/8" Long) ----- <b>Note</b> ----- <b>691183</b> Screw (Linkage Cover) (3/4" Long)
617	270344S	Seal–O Ring (Intake Manifold)	676A	397931	Deflector–Muffler (Direct Out) Used on Type No(s). 0159, 2254, 2259, 2261, 2285.	772A	690345	Screw (Linkage Cover) (1/2" Long)
621	692310	Switch–Stop	676B	497682	Deflector–Muffler Used on Type No(s). 0219, 0236, 0250, 1019, 1020, 1021, 1022, 1025, 1026, 1028, 2280.	815	690324	Screw (Band Brake Pivot)
633	691321	Seal–Choke/Throttle Shaft (Throttle)				832	699299	Guard–Muffler (Super Lo Tone)
635	66538S	Boot–Spark Plug ----- <b>Note</b> ----- <b>66538S</b> Boot–Spark Plug (Used Before Code Date 06073100). Used on Type No(s). 2008, 2010.	677	690661	Screw (Muffler Deflector)	832A	699670	Guard–Muffler (Round Lo Tone)
			678	490817	Spacer–Rewind	832B	699300	Guard–Muffler Used on Type No(s). 0219, 0236, 0250, 1019, 1020, 1021, 1022, 1025, 1026, 1028, 2280.
			689	691855	Spring–Friction			
			718	690959	Pin–Locating (Cylinder)			
			718A	499047	Pin–Locating (Crankshaft)			

★ Engine Gasket Set–Reference 358

△ Valve Gasket Set–Reference 1095

*Illustrations cover a range of engines. Parts shown without corresponding text may not be used on your specific engine.*

0669–14

Assemblies include all parts shown in frames.

02/20/2008

# 10A900

REF. NO.	PART NO.	DESCRIPTION	REF. NO.	PART NO.	DESCRIPTION	REF. NO.	PART NO.	DESCRIPTION
<b>832C</b>	<b>790743</b>	Guard-Muffler Used on Type No(s). 2007, 2011, 2027, 2033, 2034, 2035, 2052, 2072, 2082, 2087, 2106, 2108, 2109, 2110, 2135, 2143, 2153, 2164, 2250, 2262, 2270, 2275, 2293, 2294, 2295, 2298, 2299.	<b>870</b>	<b>699642</b>	Seat-Valve (Exhaust) (Used After Code Date 03080300). ----- <b>Note</b> ----- <b>691702</b> Seat-Valve (Exhaust) (Used Before Code Date 03080400).	<b>923</b>	<b>691487</b>	Brake (Used After Code Date 97071300). ----- <b>Note</b> ----- <b>691487</b> Brake (Used After Code Date 97071300 and Before Code Date 05100400). Used on Type No(s). 2034.
<b>832D</b>	<b>790744</b>	Guard-Muffler Used on Type No(s). 2004, 2008, 2010.	<b>871</b>	<b>699643</b>	Bushing-Valve Guide (Exhaust Valve) (Used After Code Date 03080300). ----- <b>Note</b> ----- <b>231348</b> Bushing-Valve Guide (Exhaust Valve) (Used Before Code Date 03080400).	<b>923A</b>	<b>394867</b>	Brake (Used Before Code Date 97071400).
<b>836</b>	<b>690664</b>	Screw (Muffler Guard) (13/32" Long)	<b>883</b>	<b>★△691880</b>	Gasket-Exhaust	<b>925</b>	<b>691349</b>	Cover-Linkage (Used After Code Date 97071300). Used on Type No(s). 2007, 2027, 2180, 2190.
<b>836A</b>	<b>790745</b>	Screw (Muffler Guard) (1/2" Long)	<b>913</b>	<b>494409</b>	Seat-Check Valve			----- <b>Note</b> ----- <b>691349</b> Cover- Linkage (Used After Code Date 97071300 and Before Code Date 05100400). Used on Type No(s). 2034.
<b>836B</b>	<b>691125</b>	Screw (Muffler Guard) (5/8" Long) Used on Type No(s). 2004, 2007, 2011, 2027, 2033, 2034, 2035, 2052, 2072, 2082, 2087, 2106, 2108, 2109, 2110, 2135, 2143, 2153, 2164, 2250, 2262, 2270, 2275, 2293, 2294, 2295, 2298, 2299.	<b>921</b>	<b>694044</b>	Cover-Blower Housing	<b>930C</b>	<b>691932</b>	Guard-Rewind
			<b>921A</b>	<b>699796</b>	Cover-Blower Housing Used on Type No(s). 2007, 2027, 2028, 2034, 2180, 2190.	<b>933</b>	<b>690428</b>	Pivot-Band Brake
			<b>921B</b>	<b>793973</b>	Cover-Blower Housing Used on Type No(s). 2008, 2011, 2035.	<b>957</b>	<b>497929S</b>	Cap-Fuel Tank
			<b>922</b>	<b>692135</b>	Spring-Brake (Used After Code Date 97071300). ----- <b>Note</b> ----- <b>692135</b> Spring-Brake (Used After Code Date 97071300 and Before Code Date 05100400). Used on Type No(s). 2034.	<b>957A</b>	<b>692050</b>	Cap-Fuel Tank Used on Type No(s). 0171, 0226, 0426, 2126, 2180, 2189, 2252, 2259, 2285, 2286.
<b>842</b>	<b>★691870</b>	Seal-O Ring (Dipstick Tube)				<b>969</b>	<b>691698</b>	Screw (Blower Housing Cover) (1/2" Long)
<b>847</b>	<b>691440</b>	Dipstick/Tube Assembly				<b>969A</b>	<b>694046</b>	Screw (Blower Housing Cover) (2 1/4" Long)
<b>851</b>	<b>493880S</b>	Terminal-Spark Plug	<b>922A</b>	<b>691809</b>	Spring-Brake (Used Before Code Date 97071400).			
<b>851A</b>	<b>692424</b>	Terminal-Spark Plug						
<b>869</b>	<b>699641</b>	Seat-Valve (Intake) (Used After Code Date 03080300). ----- <b>Note</b> ----- <b>691701</b> Seat-Valve (Intake) (Used Before Code Date 03080400).						

★ Engine Gasket Set-Reference 358

△ Valve Gasket Set-Reference 1095

*Illustrations cover a range of engines. Parts shown without corresponding text may not be used on your specific engine.*

0669-15

Assemblies include all parts shown in frames.

02/20/2008

# 10A900

REF. NO.	PART NO.	DESCRIPTION	REF. NO.	PART NO.	DESCRIPTION	REF. NO.	PART NO.	DESCRIPTION
969B	692523	Screw (Blower Housing Cover) (2/3" Long) Used on Type No(s). 2007, 2027, 2028, 2034, 2180, 2190.	1058	277038	Operator's Manual	1211	499901	Pulley/Spring Assembly (Spring)
976	694394	Primer-Carburetor Label-Emissions (Available From A Briggs & Stratton Authorized Dealer)	1095	498526	Gasket Set-Valve	1319	794467	Label-Warning
1036			1143	691141	Screw (Drive Gear Cover)	1330	270962	Repair Manual
			1208	690859	Screw (Brake Bracket)			
			1210	499901	Pulley/Spring Assembly (Pulley)			

★ Engine Gasket Set-Reference 358

△ Valve Gasket Set-Reference 1095

*Illustrations cover a range of engines. Parts shown without corresponding text may not be used on your specific engine.*