

INSTALL INSTRUCTIONS C-TIR3-UNV UNIVERSAL LICENSE PLATE BRACKET *FOR USE WITH WHELEN TIR3 SERIES LED LIGHTS*

TOOLS REQUIRED:

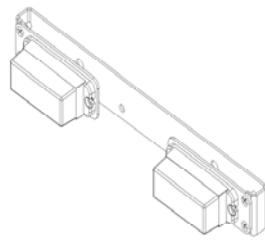
Screw driver set

Power Drill w/drill bit set

SUB ASSEMBLY:

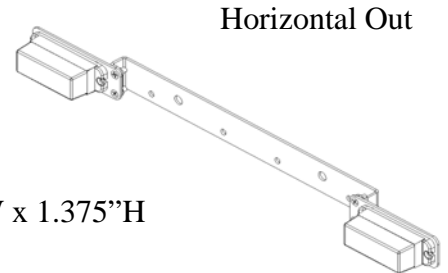
1. Remove license plate from vehicle.
2. Determine which mount best suits your vehicle application, which is dependant upon vehicle type, license plate location and its surroundings. (*For example: Ford Crown Victoria requires a "Horizontal or Vertical In" mount to accommodate reverse lights.*)

Note: Whelen TIR3 Series LED Lights are available with Horizontal and Vertical Light output. Lights with vertical output should not be mounted horizontal and visa versa.



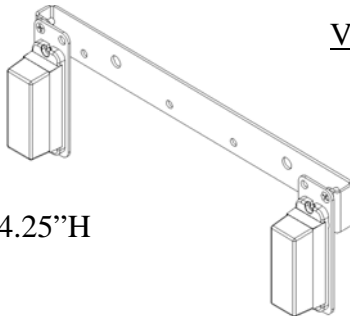
Horizontal In

12.43"W x 1.375"H



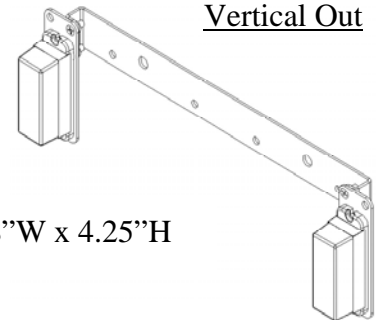
Horizontal Out

19.68"W x 1.375"H



Vertical In

12.43"W x 4.25"H



Vertical Out

15.18"W x 4.25"H

INSTALLATION:

1. MOUNT C-TIR3-UNV:

- Line up holes in C-TIR3-UNV to license plate mounting holes.
- Attach to vehicle using license plate screws removed in sub assembly. For heavy-duty mounting, extra holes are provided.
- Mount Whelen TIR3 Series LED Lights to C-TIR3-UNV using supplied hardware.
- Determine location to drill hole for wires to be routed.
- Drill 5/16" holes in determined location and route wiring to switching location.
- Wire TIR3 Series LED Lights to switching according to manufactures specifications.