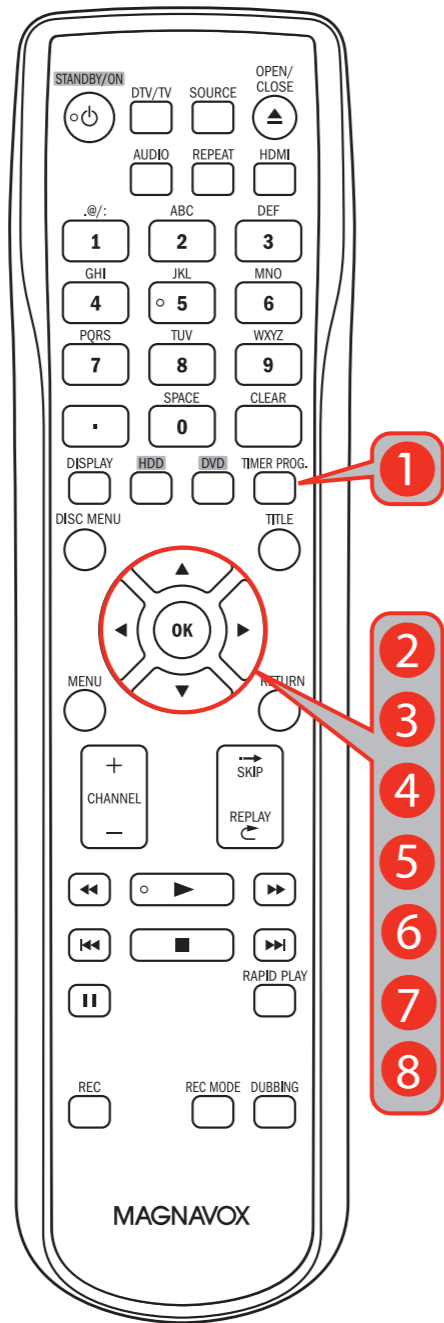


# 5 Timer Recording

- 1 Press **[TIMER PROG.]**.
- 2 Select "New Program".
- 3 Enter the date.
- 4 Enter the start and end time.
- 5 Select analog ("- - -") / digital ("DTV") mode or external input ("L1" / "L2").
- 6 Select **HDD** or **DVD**.
- 7 Select desired recording mode.
- 8 Press **[OK]** when all items are entered.



# 6 One-touch Dubbing

- Before dubbing, make sure  
**HDD**  
 Remaining recordable space of the HDD is enough.  
**DVD**  
 Insert recordable disc with enough recordable space.
- 1 Select **HDD** or **DVD**.
  - 2 Press **[TITLE]** to bring up the title list.
  - 3 Play title you would like to dub.
  - 4 Start dubbing.
  - 5 Press **[STOP ■]** for 2 seconds to stop the dubbing.

# Quick Start Guide



MDR515H/F7



Main unit  
 Remote Control (NC003UD)  
 AA (1.5V) battery x 2  
 RF coaxial cable (WPZ0901TM002 / WPZ0901TM005)  
 RCA audio / video cables (WPZ0102TM018 / WPZ0102LTE01)  
 Quick Start Guide (1VMN29898)  
 Owner's Manual (EN/FR) (1VMN29896 / 1VMN29897)

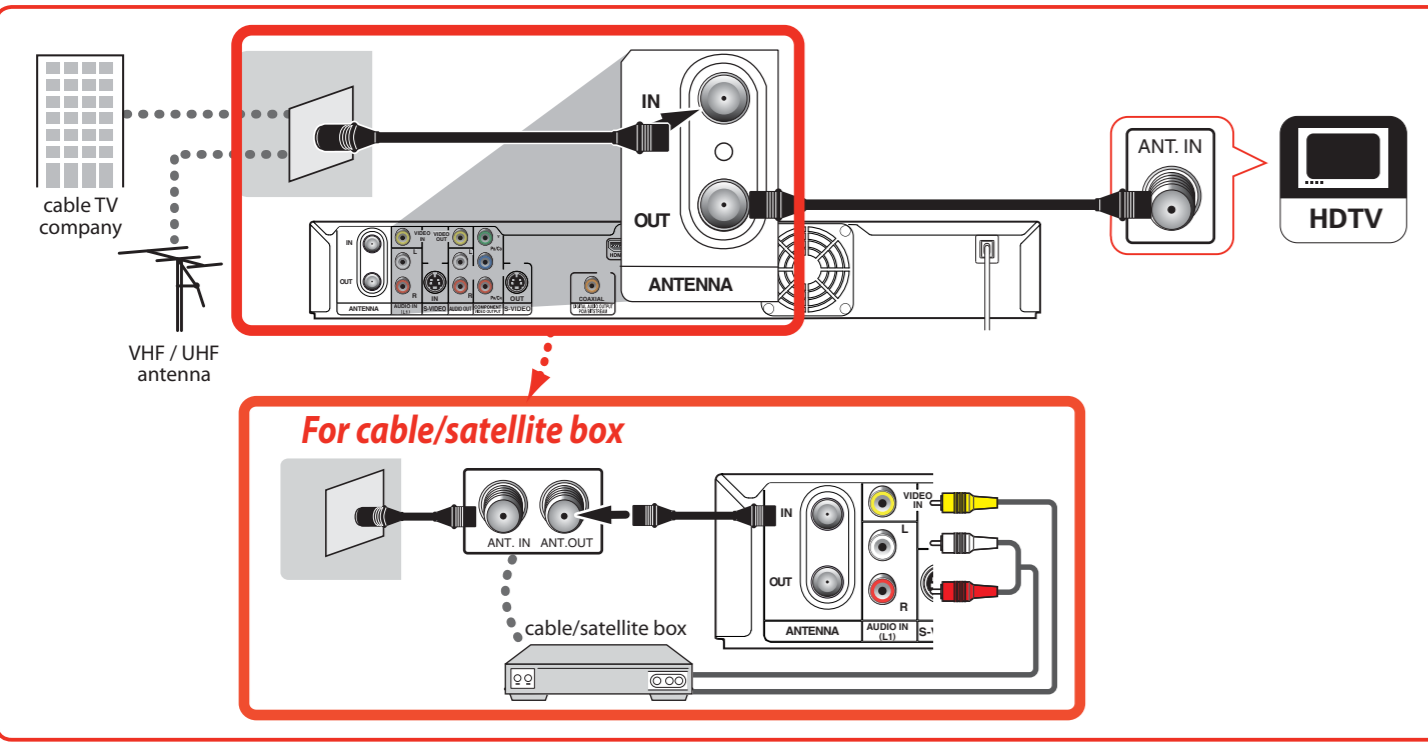
## Need help?

Owner's Manual  
 for detail instruction please refer to  
 owner's manual supplied.  
 Online support  
 Visit: [www.magnavox.com/support](http://www.magnavox.com/support)  
[www.funaiservice.com/](http://www.funaiservice.com/)  
 Phone support  
 Call: **1-800-605-8610** for customer support

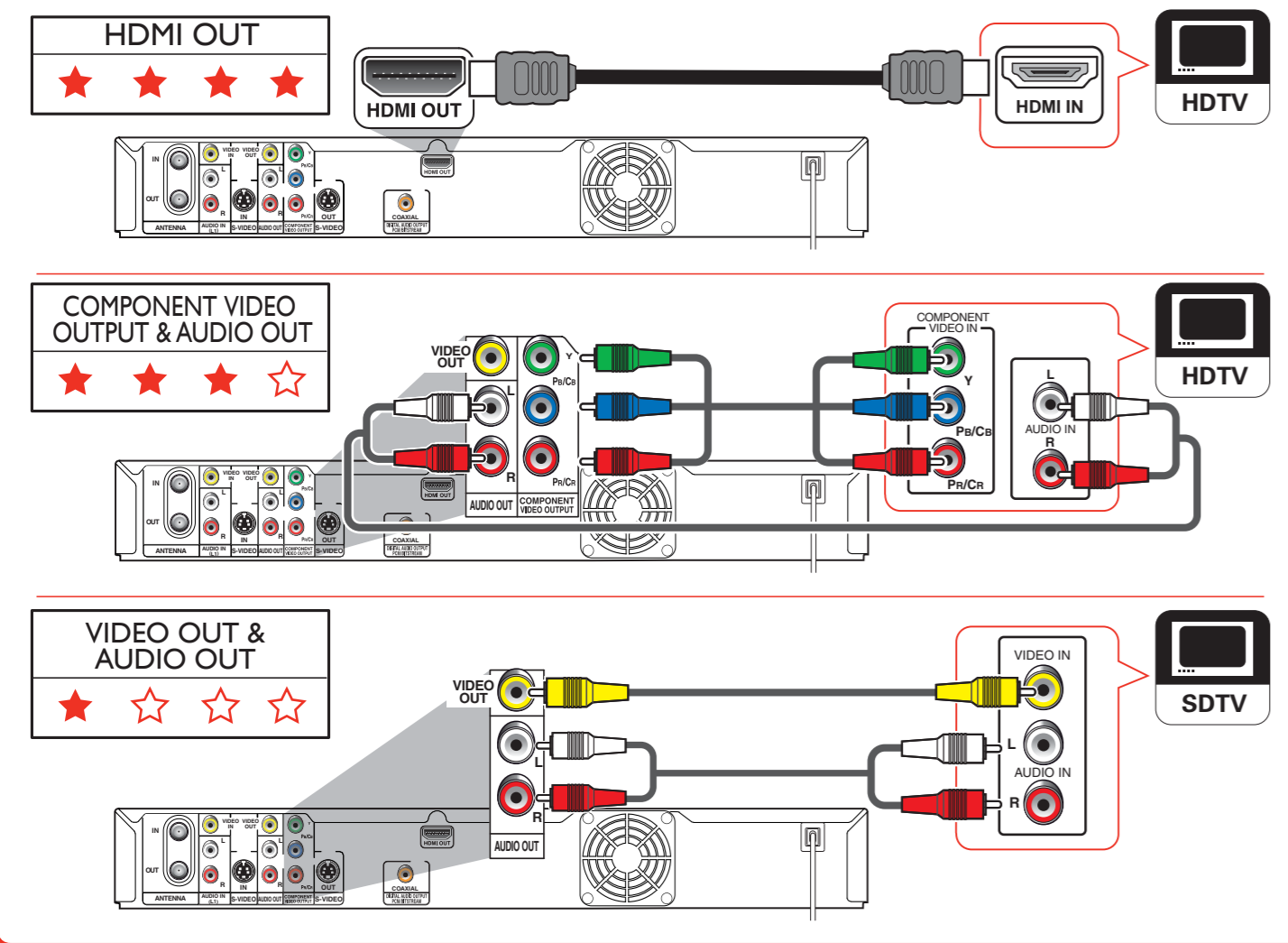
© 2010 Funai Electric Co., Ltd.  
 Printed in China  
 E2S02UD  
 1VMN29898 ★★★★★



# 1 Connection to Antenna / Cable Box

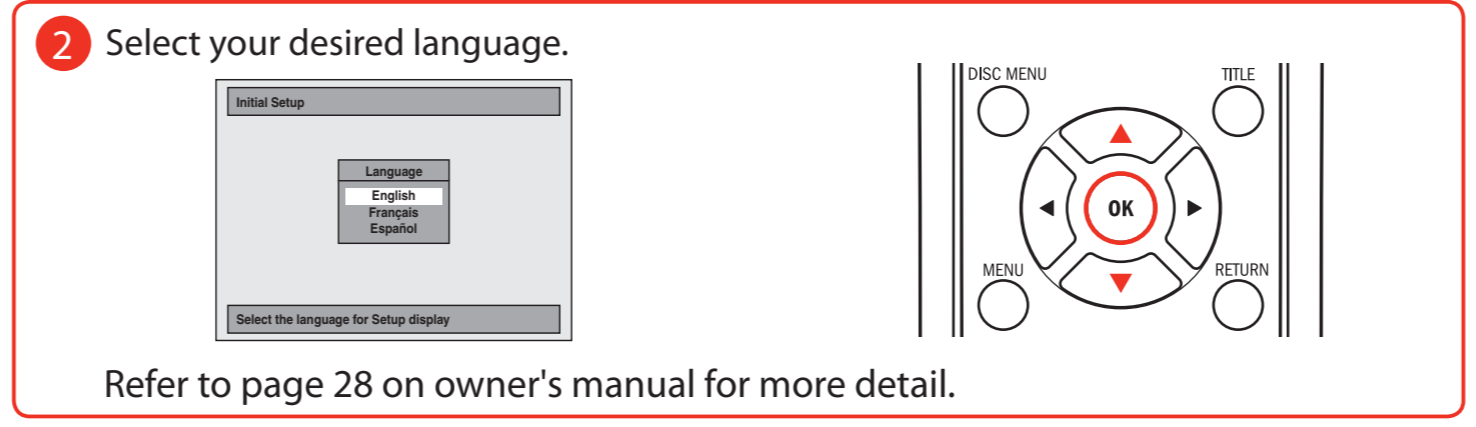
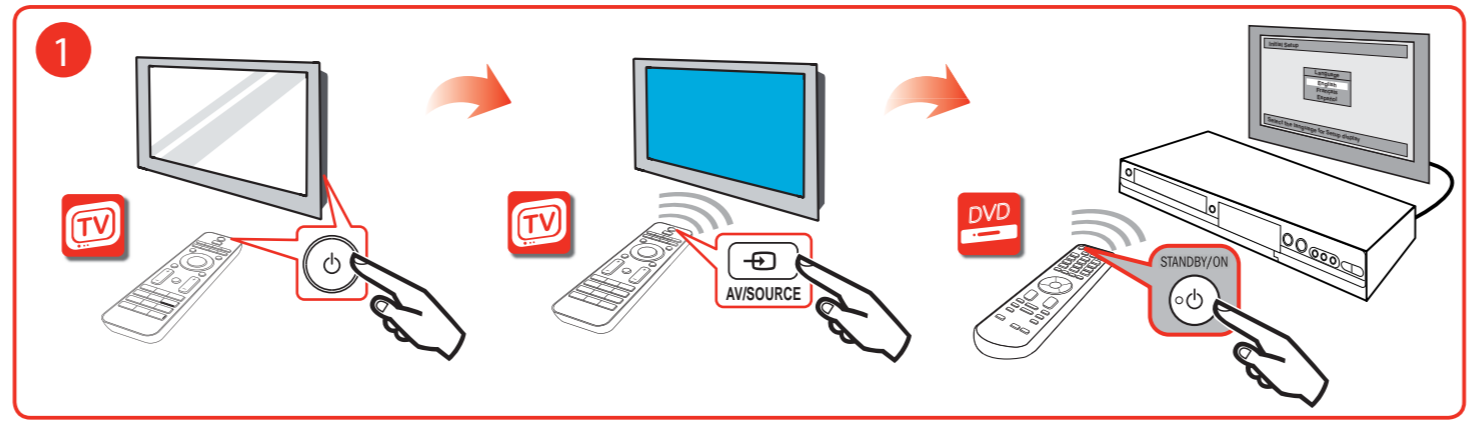


# Connection to TV

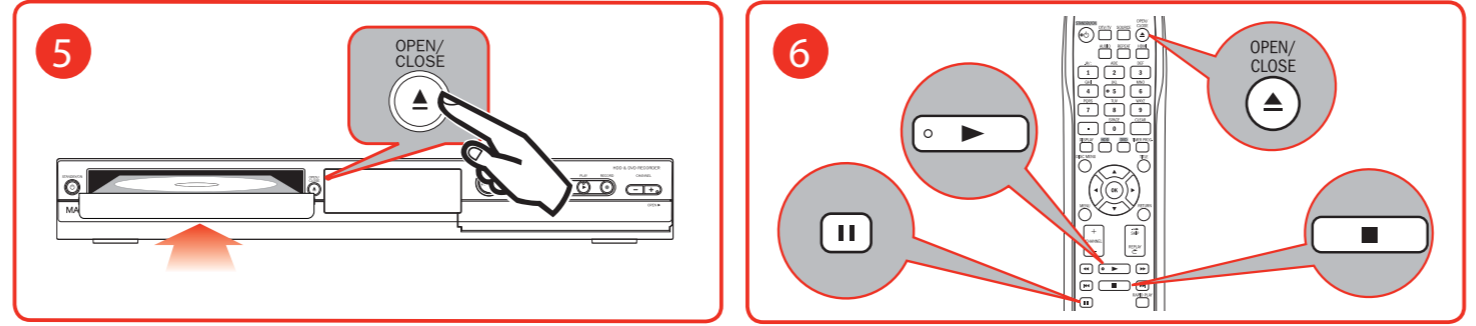
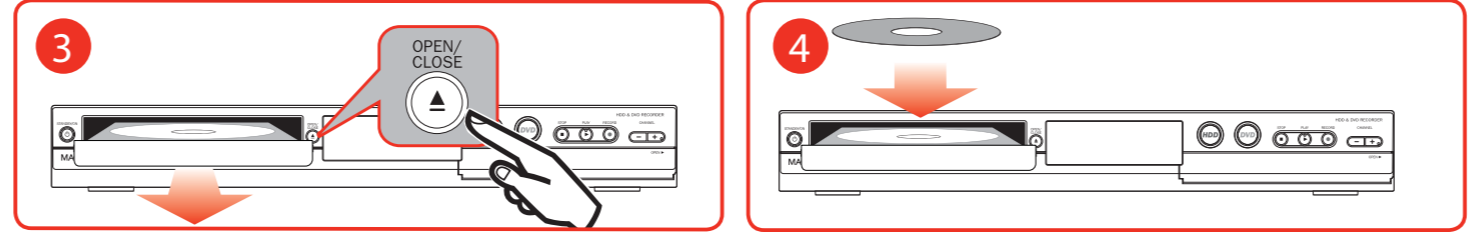
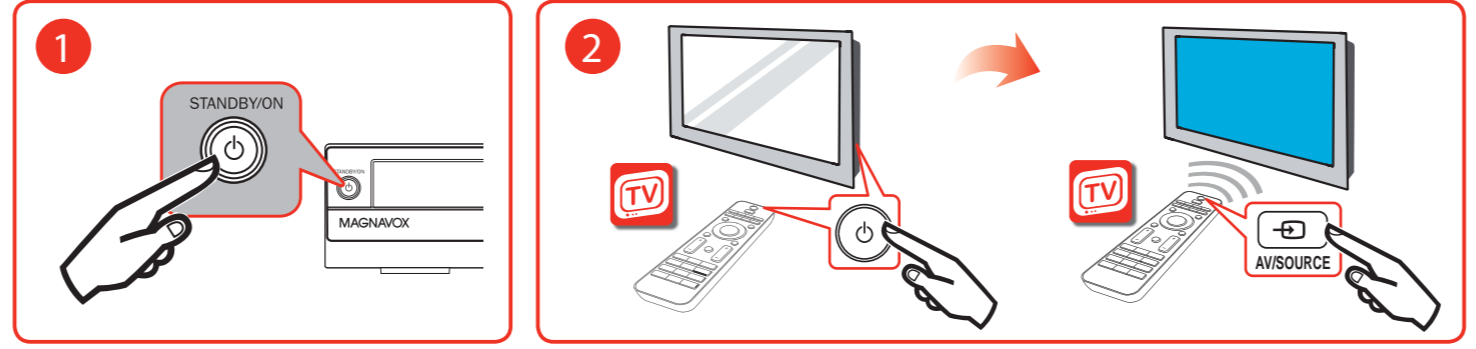


For best connection order HDMI cable from [www.funaiservice.com/](http://www.funaiservice.com/)

# 2 Language Select (Initial Setup)



# 3 Playback



# 4 Recording

