

## INSTALLATION INSTRUCTIONS C-3090's & C-3089's COMPUTER LAPTOP MOUNT AND ACCESSORIES

### TOOLS NEEDED:

Ratcheting wrench  
Standard socket set  
Open-end wrench set

Allen wrench set  
Screwdriver set

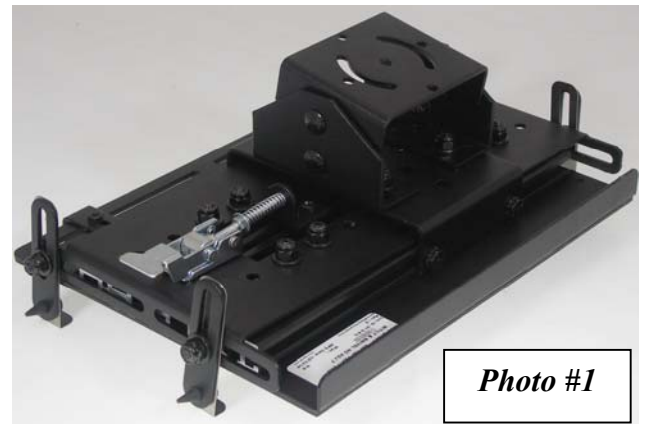
### Always!

- Read all instructions before installing any Havis-Shields Equipment Corp products.
- Check for obstructions (Wire, brake lines, fuel tank, etc.) before drilling any holes!
- Use hardware provided with install kit
- For product support, visit the Install Instructions Section of our website at <http://havis.com/Installation/Installation.html>

### 1. MOUNTING C-3090-3 or 4 & C-3089-3 or 4 to C-TCB'S

- **Photo #3** on page #2 is a basic assembly instruction of a C-3090-3 (w/ tilt/swivel) mounting to a C-TCB-x.
- The tilt/swivel assembly, (**Photo #1**), which comes pre-assembled to the C-3090 from the factory, will bolt directly to the rotating plate, using the hardware loosely attached to the plate. You do not need to unassemble the tilt/swivel from the C-3090.

*Note: Be sure the 2" fender washer is assembled between the rotating plate and the tilt/swivel assembly.*



### 2. C-3090-1 or 2 & C-3089-1 or 2 MOUNTING TO VEHICLE TRAK MOUNTS:

- The C-3090 will come pre-assembled with tilt/swivel attached.
- Mount trak kit into vehicle.
- Place console and C-3090 into desired position on trak. (**Photo #2**)

*Note: Be sure assembly does not interfere with dash or console.*

- Slide ¼-20 hex nuts into slots on side of trak in location to mount C-3090.
- Attach C-3090 to trak using ¼-20 x ½" hex bolts and washers. Tighten in desired area.





**Step 1.** Open up (extend) plates of TCB swivel assembly.

**Step 2.** Undo flex-lock nut and washer and remove. Leave washer on, and hold screw in position with finger.

**Step 3.** Put computer mount on top. Put on washer and flex-lock nut and tighten to desired tension.

**Photo #3**

Laptop plate and computer mounting bracket are shipped pre-assembled.

Computer tilt/swivel bracket, C-3090-3 shown. For other computer mounting brackets, see Consolidator® Parts/ Price Guide.

Use 3/16" Allen wrench for tension adjustment if necessary

Universal laptop mounting plate (C-3090)

Front of vehicle

See "Arm tension adjustment" page for instructions if necessary.



**Tools Needed:**

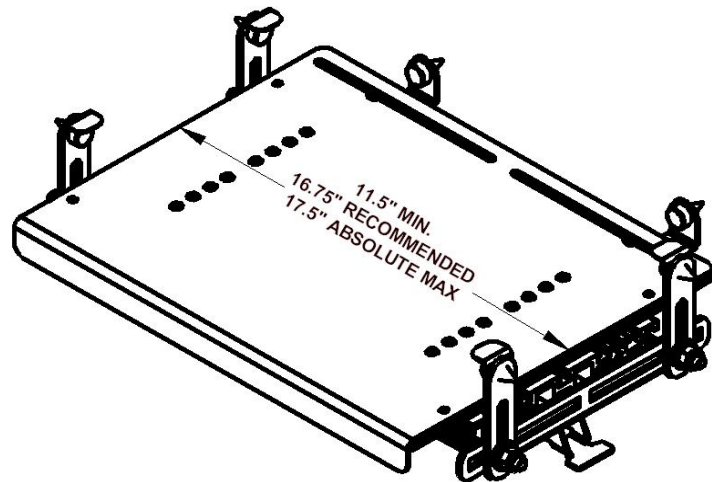
- 3/16" Allen wrench
- 1/2" combination wrench

**3. ADJUST C-3090 PLATFORM FOR SPECIFIC LAPTOP:**

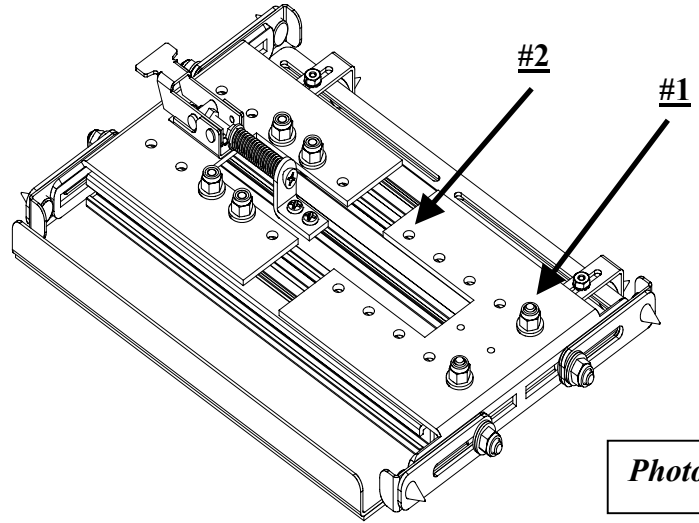
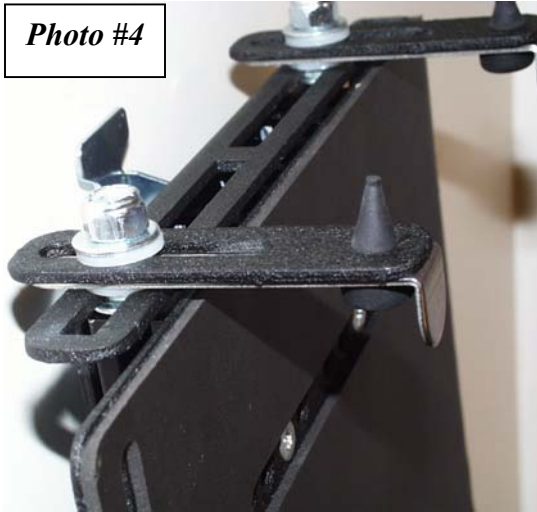
- The C-3090 will need to be adjusted to properly hold your particular laptop.

**Note:** Do not adjust the latch on the underside of the laptop.

- Loosen the "L" clamps on the sides of the C-3090. **(Photo #4)**
- Release the latch on the underside of the laptop.
- Place laptop on top of C-3090 platform and close the latch.
- Open laptop and adjust "L" clamps so they are firm against inside lip of computer on the latch side.



- Loosen ¼-20 nylock nuts on the plate on underside of laptop assembly and adjust to width of laptop.
- Adjust “L” brackets to clamp the laptop firm.
- Release latch and test for strength. Adjust if necessary.

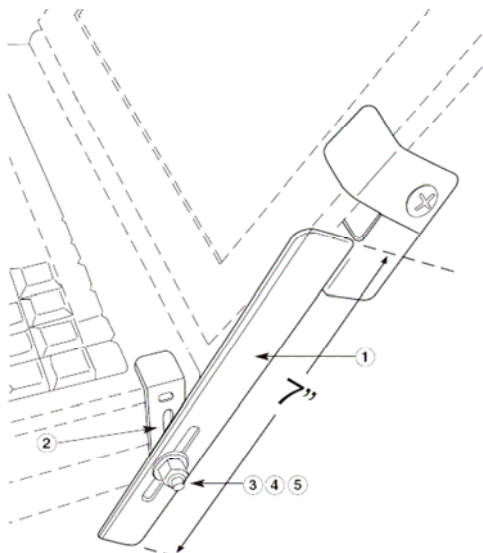


**4. PLATFORM WIDENING INSTRUCTIONS: (Photo #5)**

- On larger laptops, it may be necessary to use a different hole pattern on the plate.
- Remove (**#1 in photo #5**) ¼” nylock nuts and washers
- Remove (**#2 in photo #5**) bracket and use alternate mounting holes to create a wider platform.

**5. OPTIONAL SCREEN SUPPORT (C-SS & C-SS-2): (Photo #6)**

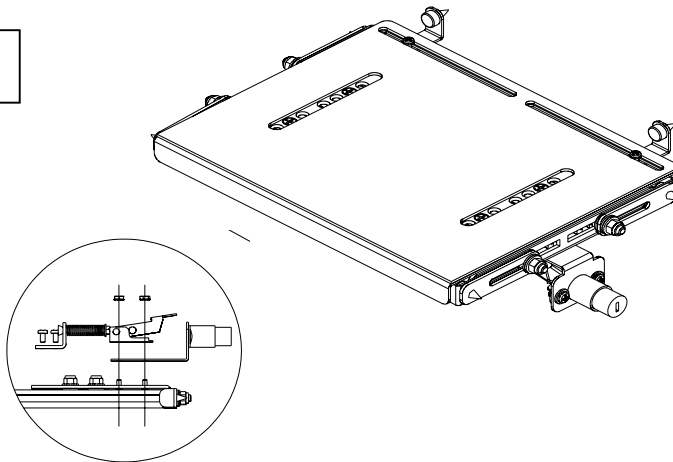
- With laptop adjusted for C-3090, open screen on computer.
- With screen open, remove ¼-20 nylock nut from “L” tab holding laptop.
- Loosely attach optional screen support as shown.
- Adjust screen support around screen and tighten hardware.
- Test screen movement.



## 6. MOUNTING C-TMLOCK

- **Photo #7** shows the C-TMLOCK option, which comes assembled from the factory if ordered with the C-3090.
- Remove 8-32 keps nuts that hold down OEM latch on laptop computer mount.
- Remove Pem studs from laptop computer mount and replace with Pem studs included with C-TMLOCK assembly.
- Move latch out of way and place C-TMLOCK over Pem studs. Place latch over top of C-TMLOCK.
- Install keps nuts and tighten.

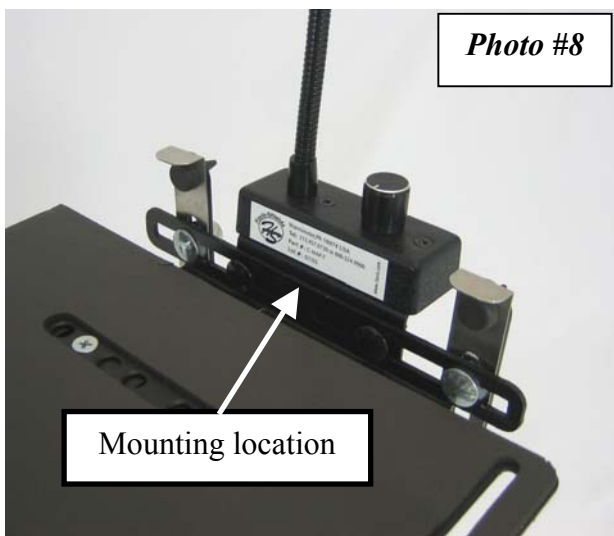
**Photo #7**



## 7. MOUNTING C-ML-MLB TO C-3090 (Photo #8 & 9)

- The map light bracket will bolt to C-3090 on the same frame rail as the support tabs bolt to.
- Determine exact positioning with laptop mounted on C-3090.
- Attach C-ML-MLB to C-3090 tab rail using 1/4-20 x 3/4" carriage bolts and nylock nuts.
- Wire map light according to instructions provided.

**Photo #8**



**Photo #9**

