

# KENWOOD

**DPX-7010MD**

DOUBLE DIN SIZE CD/MD-RECEIVER  
**INSTRUCTION MANUAL**

KENWOOD CORPORATION



© PRINTED IN JAPAN B64-1720-00 (M) (+)  
01/12 11 10 9 8 7 6 5 4 3 2 1 00/12 11 10 9 8 7 6 5

## Contents

### **Before use**

Safety precautions .....	3
Handling Compact discs .....	5

### **General features**

Power.....	6
Switching Modes .....	6
Volume.....	7
Attenuator .....	7
Audio Control Setting.....	7
Adjusting Time .....	8
Switching Display.....	8
Spectrum Analyzer Display Selection .....	8
Illumination Color Selection .....	9
Panel Angle Adjustment .....	10
Automatic Dimmer Function.....	10

### **Tuner features**

Tuning .....	11
Station Preset Memory.....	11
Frequency Step Setting .....	11
Station Name Preset (SNPS) .....	12
Switching Display for Tuner.....	12
Clean Reception System Circuit (CRSC).....	13

### **CD/MD/External disc control features**

Playing CDs.....	14
Playing MDs.....	14
Playing Other Disc mode .....	15
Switching Display for Discs .....	15
Fast Forwarding and Reversing Disc Play .....	16
Track Search .....	16
Disc Search.....	16
Track / Disc Repeat.....	16
Track Scan.....	17
Disc Scan .....	17
Random Play .....	17
Magazine Random Play.....	18
Text / Title Scroll .....	18
Presetting Disc Names (DNPS) .....	19

### **DSP/Graphic Equalizer features**

DSP (Digital Signal Processor) .....	20
Sound Field Control.....	20
Graphic Equalizer .....	20
Preset Equalizer(KBS - Kenwood Built-in Sound) Selection.....	21
Graphic Equalizer Adjustment.....	21
Graphic Equalizer Preset Memory .....	21

### **Function settings**

Function Set System.....	22
Variable Illumination Color.....	23
Contrast Adjustment.....	23
Touch Sensor Tone.....	23
Switching Preout.....	23
Opening Display.....	23
Security Code.....	24
Selecting Tuning Mode .....	25
Auto Memory Entry .....	25
Text / Title Scroll .....	25

### **Basic operations of remote .....26**

### **Installation**

Accessories.....	28
Installation Procedure .....	28
Connecting Wires to Terminals .....	29
Installation .....	30

### **Troubleshooting Guide .....32**

### **Specifications .....35**

## Safety precautions

### **⚠WARNING**

#### **To prevent injury or fire, take the following precautions:**

- Insert the unit all the way in until it is fully locked in place. Otherwise it may fall out of place when jolted.
- When extending the ignition, battery, or ground wires, make sure to use automotive-grade wires or other wires with a 0.75mm<sup>2</sup> (AWG18) or more to prevent wire deterioration and damage to the wire coating.
- To prevent a short circuit, never put or leave any metallic objects (such as coins or metal tools) inside the unit.
- If the unit starts to emit smoke or strange smells, turn off the power immediately and consult your Kenwood dealer.
- Make sure not to get your fingers caught between the faceplate and the unit.
- Be careful not to drop the unit or subject it to strong shock.  
The unit may break or crack because it contains glass parts.
- Do not touch the liquid crystal fluid if the LCD is damaged or broken due to shock. The liquid crystal fluid may be dangerous to your health or even fatal.  
If the liquid crystal fluid from the LCD contacts your body or clothing, wash it off with soap immediately.

### **⚠CAUTION**

#### **To prevent damage to the machine, take the following precautions:**

- Make sure to ground the unit to a negative 12V DC power supply.
- Do not open the top or bottom covers of the unit.
- Do not install the unit in a spot exposed to direct sunlight or excessive heat or humidity. Also avoid places with too much dust or the possibility of water splashing.
- Do not set the removed faceplate or the faceplate case in areas exposed to direct sunlight, excessive heat, or humidity. Also avoid places with too much dust or the possibility of water splashing.
- To prevent deterioration, do not touch the terminals of the unit or faceplate with your fingers.
- Do not subject the faceplate to excessive shock, as it is a piece of precision equipment.
- When replacing a fuse, only use a new one with the prescribed rating. Using a fuse with the wrong rating may cause your unit to malfunction.
- To prevent a short circuit when replacing a fuse, first disconnect the wiring harness.
- Do not place any object between the faceplate and the unit.
- Do not use your own screws. Use only the screws provided. If you use the wrong screws, you could damage the unit.

### **IMPORTANT INFORMATION**

*You cannot connect the unit directly to the following CD automatic changers. If you want to use older changers with the unit, follow the directions below according to the type of changer you own:*

#### **• KDC-C200 / KDC-C300 / KDC-C400**

Use the extension cable and the control box attached to the CD changer, and the optional CA-DS100 converter cord.

#### **• KDC-C301 / KDC-C600 / KDC-C800 / KDC-C601 / KDC-C401**

Use the extension cable attached to the CD changer, and the optional CA-DS100 converter cord.

#### **• KDC-C100 / KDC-C302 / C205 / C705 / non-Kenwood CD changers**

Cannot be used with this model.

### **⚠CAUTION**

***You can damage both your unit and the CD changer if you connect them incorrectly.***

***The marking of products using lasers (Except for some areas)***

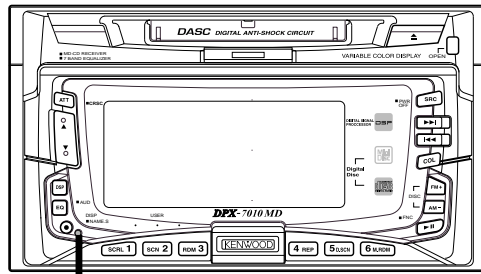
**CLASS 1  
LASER PRODUCT**

The label is attached to the chassis/case and says that the component uses laser beams that have been classified as Class 1. It means that the unit is utilizing laser beams that are of a weaker class. There is no danger of hazardous radiation outside the unit.

## Safety precautions

### NOTE

- If you experience problems during installation, consult your Kenwood dealer.
- If the unit does not seem to be working right, try pressing the reset button first. If that does not solve the problem, consult your Kenwood dealer.

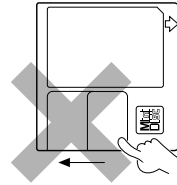


Reset button

- Characters in the LCD may become difficult to read in temperatures below 41 °F (5 °C).
- The illustrations of the display and the panel appearing in this manual are examples used to explain more clearly how the controls are used. Therefore, what appears on the display in the illustrations may differ from what appears on the display on the actual equipment, and some of the illustrations on the display may represent something impossible in actual operation.
- The functions that can be used and the information that can be displayed will differ depending on the external disc players being connected.

### Handling Mini discs

- The MD shutter is designed so that it cannot be opened. If forced open, the cartridge will be damaged and use of the MD will no longer be possible. If the shutter has been opened due to some cause, be careful not to touch the recording portion with a finger. Doing so will cause the sound to skip.



- Do not use an MD that has a peeling label. Use of an MD that has a loose or peeling label may cause problems, such as the label coming off inside the player and the resultant inability to eject the MD.
- Wipe away dirt or dust from the cartridge surface with a dry cloth before use. Using an oil-soiled cartridge in particular may result in the disc not loading or being unable to eject it. (At time of cleaning, be careful not to open the shutter.)
- Do not leave the MD in the unit for a prolonged period. The ejected MD should be placed in an MD case for storage.
- Do not leave the MD in a place exposed to direct sunlight (such as on a dashboard) or in other places that attain high temperatures. The MD cartridge will become misshapen and will no longer be usable.
- MDs designed for use with data cannot be used. Please use MDs designed for music.
- Do not use lens cleaners. Doing so will lead to breakdown.

### Lens Fogging

In cold climates, there may be a period after you turn on your vehicle's heater when the lens that guides the laser beam used in your CD/MD player fogs up. If this happens, you cannot play mini discs. Take out discs and the fogging will disappear. If it does not return to normal after several hours, contact your Kenwood dealer.

### Cleaning the Unit

If the front panel gets dirty, turn off the power and wipe the panel with a dry silicon cloth or soft cloth.

### CAUTION

Do not wipe the panel with a hard cloth or a cloth dampened by volatile solvents such as paint thinner and alcohol. They can scratch the surface of the panel and/or cause the indicator letters to peel off.

US and foreign patents licensed from Dolby Laboratories .

## Handling Compact discs

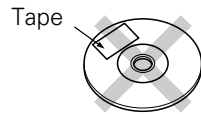
**Playing a CD that is dirty, scratched or warped can cause the sound to skip and the unit to operate incorrectly, resulting in worsened sound quality. Take the following precautions to prevent your CDs from getting scratched or damaged.**

### Handling CDs

- Do not touch the recorded side of the CD (the side opposite the label) when holding it.



- Do not stick tape on either side of the CD.



- The reflective film on a CD-R or a CD-RW is more fragile than that on an ordinary music CD, and may peel off if scratched. Fingerprints on a CD-R or CD-RW are also more likely to cause skipping when the disc is played. For these reasons, handle the disc very carefully.

Detailed handling instructions will appear on the CD-R or CD-RW package: read this information carefully before using the disc.

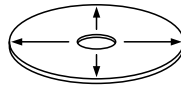
### Storing CDs

- Do not store CDs in areas exposed to direct sunlight (such as a car seat or the dashboard) or other hot places. A CD-R or CD-RW is more susceptible than a music CD to damage from high temperatures and humidity, and in some cases, may become unusable if left in the car for long periods of time.
- Remove CDs from the unit when not listening to them for a while, and put them

back in their cases. Do not pile up CDs that are removed from their cases or prop them against something.

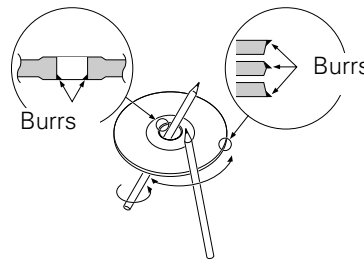
### Cleaning CDs

If a CD has gotten dirty, wipe it off gently using a commercially available cleaning cloth or a soft cotton cloth, starting from the center of the disc and moving outward. Do not clean CDs with conventional record cleaners, anti-static formulas, or chemicals such as paint thinner or benzene.



### Checking New CDs for Burrs

When playing a new CD for the first time, check that there are not any burrs stuck to the perimeter of the disc or in the central hole. CDs with burrs stuck on them may not load properly or may skip while playing. Remove burrs using a ballpoint pen or a similar utensil.

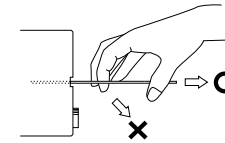


### Do Not Load CD Accessories

Do not use commercially available CD accessories that can be loaded into the CD slot, such as stabilizers, protective sheets, or CD cleaning discs, since they can cause the unit to malfunction.

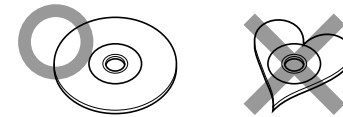
### Removing the CD

Only remove the CD from the machine in a horizontal direction, holding it flat. You may damage the surface of the CD if you try pulling it down as it ejects.



### Do Not Use Special Shape CDs

- Be sure to use round shape CDs only for this unit and do not use any special shape CDs. Use of special shape CDs may cause the unit to malfunction.



- Do not use any CD which does not bear one of the following marks:

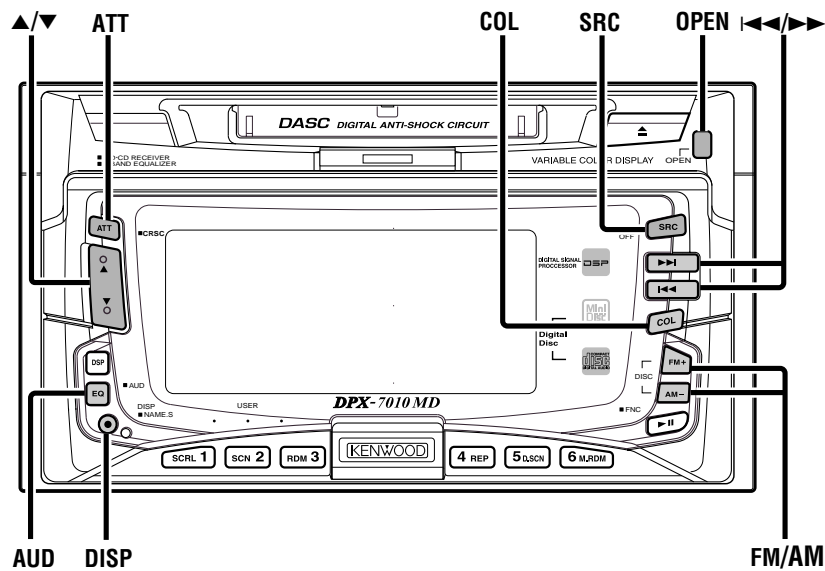


- CD-Rs and CD-RWs which have not undergone finalization processing cannot be played. (For more information on finalization processing, refer to the manual for your CD-R/CD-RW writing software or CD-R/CD-RW recorder.) Additionally, depending on the recording status, it may prove impossible to play certain CDs recorded on CD-R or CD-RW.

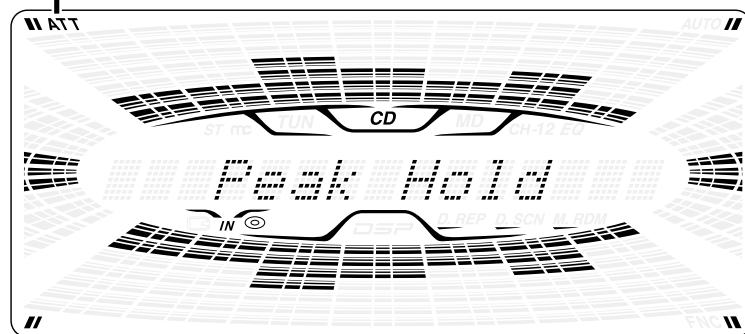
### Do Not Use CDs with Sticker on the Labeled Side

Do not use the CD with the label sticker stuck on it. Using such a CD may cause the CD to be deformed and the sticker to peel off, resulting in malfunction of the unit.

## General features



ATT indicator



## Power

### Turning on the power:

Press the SRC (source) button.

#### NOTE

Turn the power on before carrying out the following procedures.

### Turning off the power:

Press the SRC button for at least one second.

## Switching Modes

### Switching Modes:

Each time you press the SRC (source) button, the mode switches as follows:

- ▼ Tuner mode
- ▼ MD mode
- ▼ CD mode
- ▼ External disc control mode 1
- ▼ External disc control mode 2/AUX mode
- ▼ Standby mode

### Selecting standby mode:

Press the SRC button repeatedly and switch to "ALL OFF". When "ALL OFF" is displayed, the standby mode is activated. The standby mode turns all functions off while leaving the power to the unit on. Use this mode when you want to have the display illuminated but don't want to listen to anything.

#### NOTE

- The mode switches to the next mode from any mode which cannot be used.
- The external disc control mode will differ depending on the unit that is connected.
- The AUX mode is available only when the changer / AUX

switching adapter (KCA-S210A or CA-C1AX) or CD changer (KDC-CPS85, KDC-CX85, KDC-CPS82 or KDC-CX82) is connected to this unit. During the AUX mode, "Aux Mode" will show in the display. When the CA-C1AX is being used, the AUX Mode will replace the External Disc Control Mode.

## Volume

- Increasing Volume:**  
Press the ▲ button to turn up the volume.
- Decreasing Volume:**  
Press the ▼ button to turn down the volume.

## Attenuator

This function allows you to turn down the volume quickly.

**Turning Attenuator On/Off:**  
Press the ATT button to switch the attenuator on and off. When the attenuator is on, the ATT indicator blinks. When the attenuator is off, the volume returns to the original level.

**NOTE**

Turning the volume up, or turning it all the way down deactivates the attenuator function.

## Audio Control Setting

- Adjust various parameters of sound quality.
- 1 Press the AUD button for at least one second to enter the control mode.
  - 2 **Selecting mode**  
Press either the ◀◀/▶▶ button. Each time the button is pressed, the adjustment mode will change.

Please refer to the following for the contents of the adjustment modes.

- 3 **Adjust each mode**  
Press the FM or AM button. Please refer to the following for the adjusting values.
- 4 Press the AUD button to end the control mode.

**"Balance" : Adjust the balance level.**  
Setting values: Left 15 – Right 15

**"Fader" : Adjust the fader level.**  
Setting values: Front 15 – Rear 15

**"N-F" : Adjust the Non-fading output level.**  
Setting values: --- - + 10

**NOTE**

This mode is available only when the non-fading output function is set to on.(P.23)

**"Amp Cont" : Adjust the bass boost level of the external amplifier using the main unit.**  
"Off" : Bass boost level is flat.  
"1" : Bass boost level is low (+6dB).  
"2" : Bass boost level is high (+12dB).

**NOTE**

As of December 1998, the power amplifiers controllable by the main unit are as follows:  
KAC-X501F/PS501F/X401M/PS401M/X301T/PS301T/X201T/PS201T

## General features

### Adjusting Time

Adjust the time.

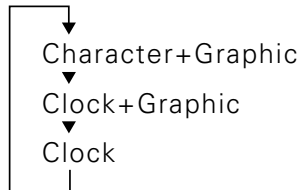
- 1 When the time is not displayed, first press the DISP button to display the time.
- 2 Press the DISP button for at least one second to enter the clock adjustment mode.
- 3
  - Adjusting the hours  
Press the FM button to advance the hours, or press the AM button to make the hours go back.
  - Adjusting the minutes  
Press the ►► button to advance the minutes, or press the ◀◀ button to make the minutes go back.
- 4 Press the DISP button to end the clock adjustment mode.

### Switching Display

You can switch the display during the standby mode as mentioned below.

#### Switching the Display During the Standby Mode:

Each time you press the DISP button during the standby mode, the display switches as follows:

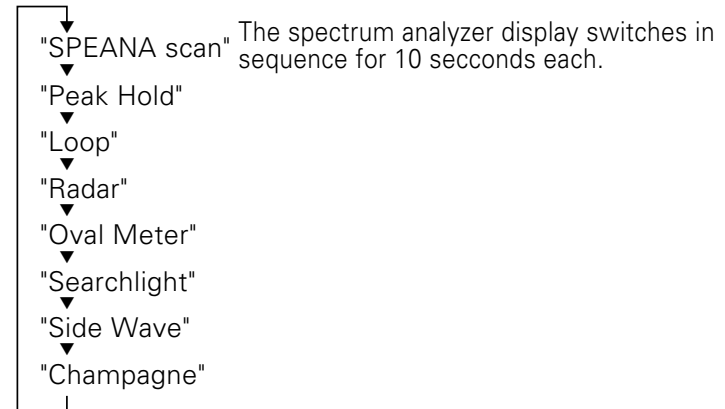


### Spectrum Analyzer Display Selection

You can select the display to enjoy sounds with eyes.

#### Switching the Preset Spectrum Analyzer Display:

- 1 Press the COL button for at least one second. "SPEANA CTRL" is displayed once the Spectrum Analyzer Display Selection mode is entered.
- 2 The spectrum analyzer name currently set appears in the display.  
Each time you press the COL button, the spectrum analyzer display switches as follows;



- 3 Press the COL button for at least one second to end the Spectrum Analyzer Display Selection mode.



## Illumination Color Selection

You can select the display illumination colors.

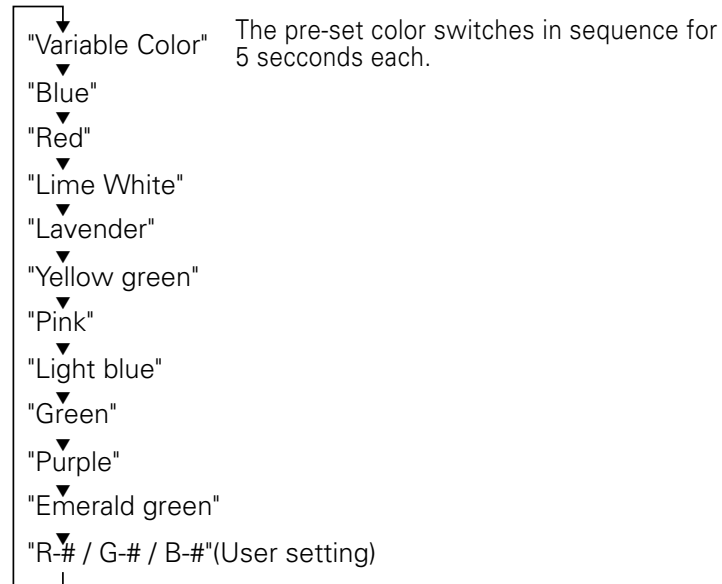
### Switching the illumination color:

1 Press the COL button."Color CTRL" is displayed once the Illumination Color Selection mode is entered.

2 Press the COL button.

The illumination color name currently set appears in the display.

3 Each time you press the COL button, the illumination color switches as follows;



4 Press the COL button for at least one second to end the Illumination Color Selection mode.

### NOTE User setting

You can set any colors you like, by adjusting the amount of Red, Green and Blue blended into each one.

- The "#" display indicates the setting value.
- The default setting is "R-1 / G-1 / B-1".

1 Press the COL button."Color CTRL" is displayed once the Illumination Color Selection mode is entered.

### Adjusting the Red color:

2 Each time you press the #1 button, the Red color display switches as follows;

▶ "R-1" ▶ "R-2" ▶ "R-3" ▶ "R-4" ▶ "R-0" ]

### Adjusting the Green color:

2 Each time you press the #2 button, the Green color display switches as follows;

▶ "G-1" ▶ "G-2" ▶ "G-3" ▶ "G-4" ▶ "G-0" ]

### Adjusting the Blue color:

2 Each time you press the #3 button, the Blue color display switches as follows;

▶ "B-1" ▶ "B-2" ▶ "B-3" ▶ "B-4" ▶ "B-0" ]

3 Press the COL button for at least one second to end the Illumination Color Selection mode.

### NOTE

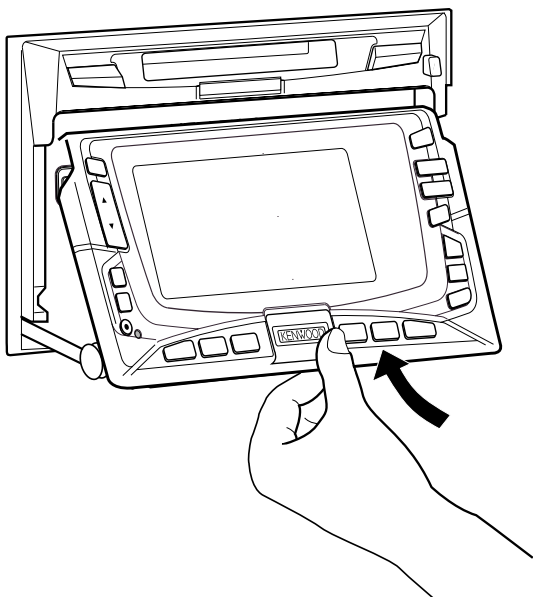
If any two of the three colours Red, Green and Blue are set to "-0", you will not be able to adjust the colours. Set the colours to values other than "-0".

## General features

### Panel Angle Adjustment

You can adjust the panel angle for easy viewing.

- 1 Slide the control panel by holding down the OPEN Button.
- 2 Each time you press the bottom of the control panel, it will slide one step up (there are 4 steps in all).



#### ▲CAUTION

- Take care that your fingers and so on do not get caught during the slide operation of the front panel.
- Do not apply excessive force to the front panel after it slides.

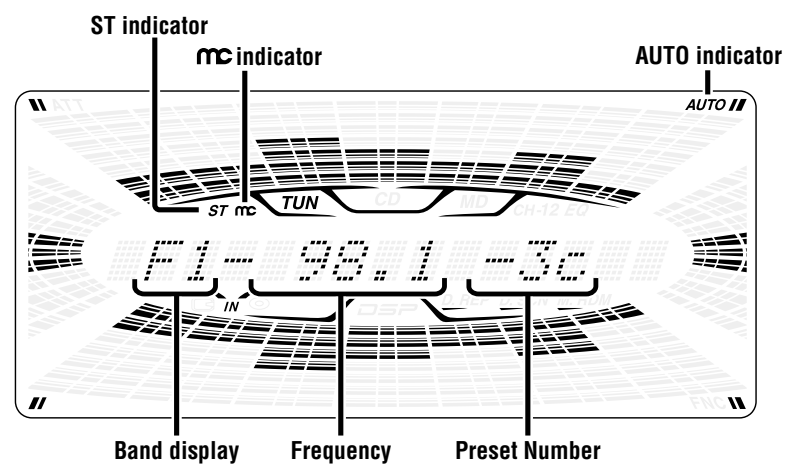
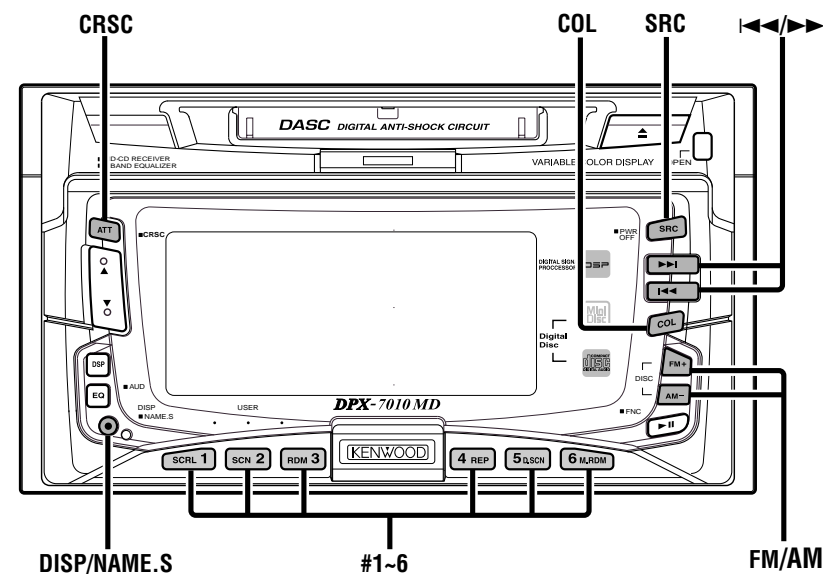
### Automatic Dimmer Function

The display dims when the car's lights are turned on.

#### NOTE

The dimmer function is not available for units if the dimmer wire is not connected.

## Tuner features



## Tuning

- 1 Press the SRC (source) button repeatedly to select the tuner mode. "TUNER" is displayed when the tuner mode has been selected.
- 2 Press either the FM or AM button to select the band. Each time you press the FM button, the band switches between the FM1, FM2 and FM3. Press the AM button to select the AM bands.
- 3
  - Auto Seek Tuning  
Press the ►►I button to seek higher frequencies.  
Press the I◄◄ button to seek lower frequencies.
  - Manual Tuning  
Press the ►►I button to increase the frequency by one step.  
Press the I◄◄ button to decrease the frequency by one step.

### NOTE

- Please see the function settings about selecting tuning mode. (page 25)
- The ST indicator lights up when stereo broadcasts are being received.

## Station Preset Memory

Store the frequency of a station. You can then recall that station with a single touch of a button.

- 1 Select the band/ station that you want to have stored.
- 2 Press the button (#1-6) that you want to use for the station, for at least two seconds.  
The button number blinks once in the display to indicate that the data has been stored.

### Recalling a Preset Station:

Press the preset station button (#1-6) for the desired station. The number of the recalled station is displayed.

### NOTE

You can store six stations in each of the FM1, FM2, FM3, and AM bands.

## Frequency Step Setting

Switch the frequency step used in seeks. The factory defaults are 50 kHz for FM and 9 kHz for AM.

- 1 Turn the power off.
- 2 Hold down buttons #1 and #5, then turn the power back on. The frequency step settings will be changed to 200 kHz for FM and 10 kHz for AM.

### NOTE

When you change the frequency step settings, all memory contents will be erased.

### Returning Frequency Step Settings to Original Values:

Repeat steps 1 and 2 above.

## Tuner features

### Station Name Preset (SNPS)

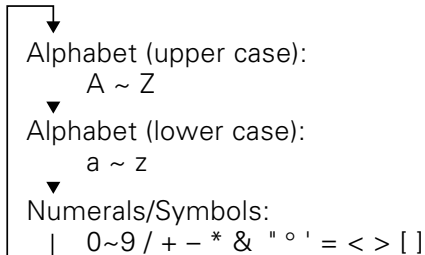
You can assign names to radio stations with the Station Preset Memory. Up to 30 stations can be assigned names.

- 1 Adjust the frequency to the station whose name you want to enter.

#### NOTE

This function cannot be available during the clock display.

- 2 Press the NAME.S button for at least two seconds. "Name Set" is displayed once the station name preset mode is entered. The cursor will blink in the position where letters are entered.
- 3 Press either the ◀◀ or ▶▶ button to move the cursor to the desired position. The ◀◀ button moves the cursor to the left, and the ▶▶ button to the right.
- 4 Each time the COL button is pressed, the characters to be entered change as listed below. Press the FM or AM button to display the desired character. Characters that can be displayed are as follows.



- 5 Continue steps 3 and 4 until all the characters are chosen for the name.

#### NOTE

You can enter up to 8 characters for each name.

- 6 **Assigning Names**  
Press the NAME.S button.  
The name of the station is stored in memory, and the Station Name Preset mode ends.

Also, if you make no input for 10 seconds, the name will be stored up to the point that you have entered, and the mode ends.

#### NOTE

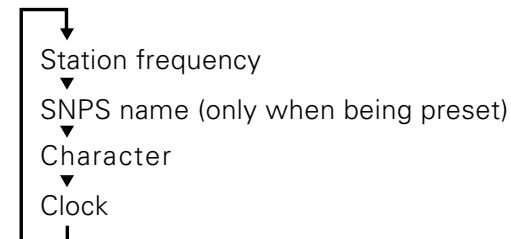
- You can assign names to up to 30 FM/AM stations in all. If you try to enter more than that, the station name stored the earliest will be the first one erased.
- If you want to change the name of a station, first display the name of the station (following steps 1 and 2 above), then change the letter(s) that you want by following steps 3 and 4.

### Switching Display for Tuner

You can change the display used when listening to the radio.

#### Changing the Display:

Each time you press the DISP button, the display changes as follows:



## CD/MD/External disc control features

### Clean Reception System Circuit (CRSC)

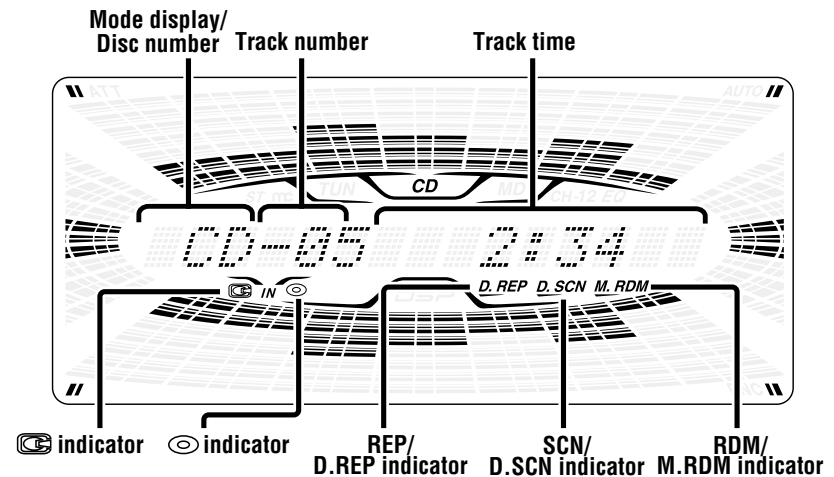
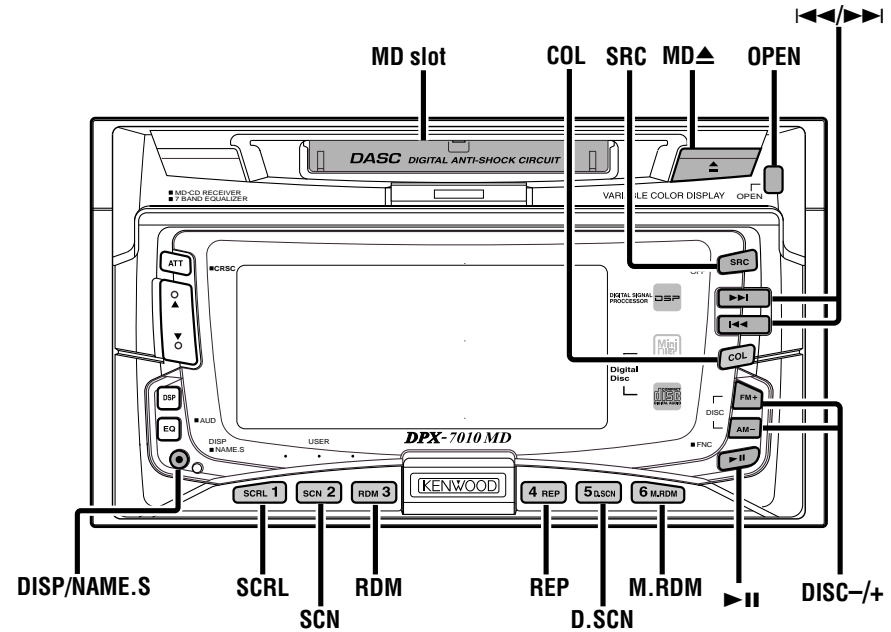
Temporarily have reception switched from stereo to mono to reduce multi-path noise when listening to the FM station. The **mc** indicator lights up when CRSC is off.

#### Turning CRSC On/Off:

Press the CRSC button for at least one second to turn the function on/off.

#### NOTE

Strong electrical fields (such as from power lines) may cause unstable sound quality when CRSC is turned on. In such a situation, turn it off.

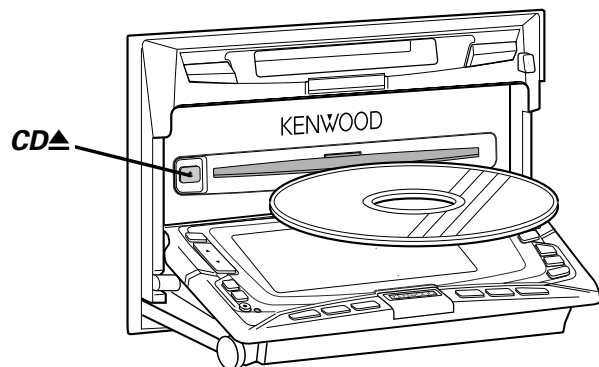


## CD/MD/External disc control features

### Playing CDs

#### Playing CDs:

- 1 Slide the control panel by holding down the OPEN Button.
- 2 Insert the CD you want to play.
- 3 When the CD has been taken inside, press the bottom of the control panel to close it.



If a CD is already inserted, press the SRC button repeatedly to select the CD mode.

"CD" is displayed when the CD mode has been selected.


The CD will start playing.

The  indicator lights up when a CD has been inserted.

#### ▲CAUTION

- Take care that your fingers and so on do not get caught during the slide operation of the front panel.
- Do not apply excessive force to the front panel after it slides.

#### Pausing and Restarting CD Play:

Press the  button to make the disc pause.

Press the same button again to start play again.

#### Stopping and Ejecting CDs:

After sliding the control panel by holding down the OPEN Button, press the CD▲ Button.

The CD stops playing and ejects from the slot.

#### ▲CAUTION

Do not attempt to insert a CD into the slot if another one is already there.

#### NOTE

- When you load a CD and eject it right away, the next time you try to insert the CD may not load. In such a situation, take the CD out for a moment and then reinsert it.
- The disc can still be ejected up to about 10 minutes after the power is turned off.

### Playing MDs


#### Playing MDs:

If no MDs are inserted, insert one in the slot with the label facing up.


If an MD is already inserted, press the SRC button repeatedly to select the MD mode.

"MD" is displayed when the MD mode has been selected.

The MD will start playing.

The  indicator lights up when an MD has been inserted.

#### Pausing and Restarting MD Play:

Press the  button to make the disc pause.

Press the same button again to start play again.

#### Stopping and Ejecting MDs:

Press the MD▲ button.

The MD stops playing and ejects from the slot.

#### ▲CAUTION

- Do not attempt to insert an MD into the slot if another one is already there.
- The disc can still be ejected up to about 10 minutes after the power is turned off.

- When a unit equipped with an O-N switch is to be connected, please also see the instruction manual of this unit.  
Set the O-N switch to "N". "N"-operation will be set.

### "N"-operation:

- The disc title and track title of the CD text can be displayed.
- The disc name will be displayed when the name has been registered to any connected unit with the Presetting Disc Names function, or when the playing unit contains a disc to which the disc title has been recorded.

### "O"-operation:

- CD text cannot be displayed.
- Regardless of the control unit, the characters that can be registered with the Presetting Disc Names function are "A~Z 0~9 /, +, -, \*, =, <, >, [ , ]".
- The disc name will be displayed when the name has been registered to the playing unit with the Presetting Disc Names function.

#### NOTE

The CD text and Presetting Disc Names functions may not be operational depending on the unit.

## Playing Other Disc mode

This function permits the connection of optional players and the playing of discs other than the loaded CD/MD (in the current unit).

### Playing Discs:

Press the SRC (source) button repeatedly to select the external disc control mode.

The disc will start playing.

#### NOTE

The external disc control mode will differ, depending on the unit that is connected.

Mode Display Examples

- "CD-CH/MD-CH" ...when a disc changer is connected
- "CD-CH1/MD-CH1/DISC-CH1" , "CD-CH2/MD-CH2/DISC-CH2" ...when two disc changers are connected

### Pausing and Restarting Disc Play:

Press the ►|| button to make the disc pause.

Press the same button again to start play again.

#### NOTE

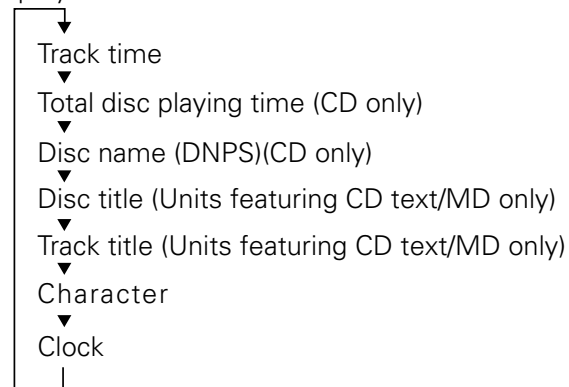
When one disc has finished playing its last track, the next disc in the changer will start playing. When the last disc in the changer has finished, the player will return to the first disc and start playing it.

## Switching Display for Discs

Switch the display that appears while discs are playing.

### Switching Display for Discs:

Each time you press the DISP button, the display during disc play switches as follows:



#### NOTE

- You can give names to discs through the presetting disc name function (see p. 19).  
Note that depending on the unit, display may not be possible.
- If you try to display the name of a disc that doesn't have one, "No Name" is displayed instead.
- When an attempt is made to display the title of a disc for which a disc title/track title has not been recorded, the CD will display "No Text" , the MD player built into this unit will display "No Title" , and an MD changer will display "No Title/No Name".
- Depending on the type of characters of the CD Text, some characters may not be displayable.

## CD/MD/External disc control features

### Fast Forwarding and Reversing Disc Play

#### Fast Forwarding Disc Play:

Hold down on the ►►I button.  
Release your finger to play the disc at that point.

#### Reversing Disc Play:

Hold down on the I◄◄ button.  
Release your finger to play the disc at the point.

#### NOTE

You cannot use reverse play between tracks depending on the model being connected. Instead, the reverse play function is canceled when it reaches the beginning of a track, at which point normal play will automatically resume.

### Track Search

Search forward or backward through the tracks on the disc until you reach the one that you want to listen to.

#### Making a Reverse Track Search:

Press the I◄◄ button to display the desired track number.  
Press once to search back to the beginning of the current track, twice to search back to the beginning of the previous track, and so forth.  
Play starts at the beginning of the displayed track number.

#### NOTE (For disc changers)

Pressing the I◄◄ button while listening to track 1 will only search back to the beginning of that track. The reverse search is not "recycled" to the last track on the disc.

#### Making a Forward Track Search:

Press the ►►I button to display the desired track number.  
Press once to fast forward to the next track, twice to fast forward to the track after that, and so forth.  
Play starts at the beginning of the displayed track number.

#### NOTE (For disc changers)

You cannot make a forward track search when listening to the last track on a disc.

### Disc Search

(Function of disc changers)

Search forward or backward through the discs in a disc changer.

#### Making a Reverse Disc Search:

Press the DISC- button to display the desired disc number.  
Each time the button is pressed, the displayed disc number decreases by one.  
Play starts at the beginning of the displayed disc.

#### Making a Forward Disc Search:

Press the DISC+ button to display the desired disc number.  
Each time the button is pressed, the displayed disc number increases by one.  
Play starts at the beginning of the displayed disc.

#### NOTE

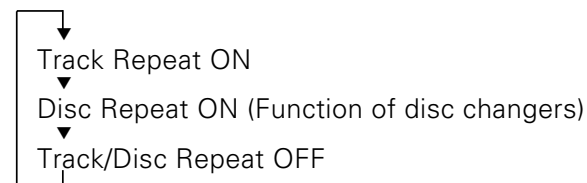
"LOAD" is displayed when discs are being exchanged on the disc changer.

### Track / Disc Repeat

Repeat playing the track or the disc currently being listened to.

#### Turning Repeat Play On/Off:

Press the REP button to switch repeat track/disc play on and off as follows:



The REP indicator lights up in the display when track repeat is on.  
The D.REP indicator lights up in the display when disc repeat is on.

#### NOTE

Repeat play is canceled when you eject the disc.



## Track Scan

Successively play the beginning of each track on a disc until you find the track that you want to listen to.

### **Starting the Track Scan :**

Press the SCN button. The SCN indicator lights up and the first 10 seconds of each track will be played, in order.

The track number currently being heard blinks in the display.

### **Stopping to Listen to the Track Being Scanned:**

Press the ►|| or SCN button again to stop the scan and keep on listening to a track normally.

#### **NOTE**

- The track scan function is canceled when you eject the disc.
- The track scan function only scans each track on a disc once.

## Disc Scan

*(Function of disc changers)*

Successively play the beginning of each disc on a changer until you find the one that you want to listen to.

### **Starting the disc scan:**

Press the D.SCN button. The D.SCN indicator lights up and the first 10 seconds of each disc will be played, in the order they are loaded on the changer.

The disc number currently being heard blinks in the display.

### **Stopping to Listen to the Disc Being Scanned:**

Press the ►|| or D.SCN button again to stop the scan and keep on listening to the disc normally.

#### **NOTE**

- The disc scan function is canceled when you eject the disc.
- The disc scan function only scans each disc on the changer once.
- "LOAD" is displayed when discs are being exchanged on the disc changer.

## Random Play

Play all the tracks on the current disc in random order.

- 1** Press the RDM button to switch random play on and off. The RDM indicator lights up when random play is turned on. The track number will change over and over in the display as the next track is being selected. When the track has been selected, play will begin.

#### **NOTE** (For disc changers)

When all the tracks on a certain disc have been played using random play, the next disc on the changer will start playing using the same function.

- 2** To change the track being heard, press the ►►I button. Another track will be selected and played.

#### **NOTE**

Random play is canceled when you eject the disc.

## CD/MD/External disc control features

### Magazine Random Play *(Function of disc changers)*

Play the tracks on all the discs in the disc changer in random order.

- 1 Press the M.RDM button to switch magazine random play on and off.  
The M.RDM indicator lights up when magazine random play is turned on.  
The disc and track numbers will change over and over in the display as the next track is being selected.  
When the disc/track has been selected, play will begin.

#### NOTE

This function is not available with the following models:  
KDC-C200/C300/C400/C301/C401

- 2 To change the track being heard, press the ►►| button.  
Another disc/track will be selected and played.

#### NOTE

- Magazine random play is canceled when you eject the disc.
- The time needed for random selection depends on the number of discs loaded in the disc magazine.

### Text / Title Scroll *(Function of MD/disc changers)*

This function permits the text to be scrolled and the entire text to be displayed. The scrolling method differs depending on the setting of scrolling in the menu.

#### To scroll automatically:

Press the DISP button to display the disc title or the track title.  
The display of the text will be scrolled repeatedly.

#### To scroll manually:

- 1 Press the DISP button to display the disc title or the track title.
- 2 Press the SCRL button.  
The display of the text will be scrolled once.

#### NOTE

Please see the function settings (page 25) about switching between manual scrolling and automatic scrolling.

### Presetting Disc Names (DNPS)

Store the names of CDs to be displayed when played.

- 1 Play the disc whose name you want to preset.

#### NOTE

- This function is not available for disc changers that do not feature the Disc Name Preset function.
  - This procedure is not to be used to store the disc and track titles for MDs that you record.
  - This function cannot be available during the clock display and while using disc scan or magazine random play.
- 2 Press the NAME.S button for at least two seconds.  
"Name Set" is displayed and the disc name preset mode is entered.  
The cursor blinks in the position where character input can be made.
  - 3 Press either the ◀◀ or ▶▶ button to move the cursor to the desired position.  
The ◀◀ button moves the cursor to the left, and the ▶▶ button to the right.
  - 4 Each time the COL button is pressed, the characters to be entered change as listed below.  
Press the DISC+ or DISC- button to display the desired character.  
Characters that can be displayed are as follows.

↓  
Alphabet (upper case):  
A ~ Z  
▼  
Alphabet (lower case):  
a ~ z  
▼  
Numerals/Symbols:  
| 0~9 / + - \* & " ° ' = < > [ ]

#### NOTE

The operation and characters that can be entered may change as listed below, depending on the unit that is connected.

Operations can be followed again from Step 2 at a time such as this, and the characters to be input are selected using the procedure described below.

Press the DISC+ or DISC- button to display the desired character. Besides the alphabet (capital letters only) and numbers, you can choose the following characters: /, +, -, \*, =, <, >, [ and ].

- Continue steps 3 and 4 until all the characters are chosen for the name.

**NOTE**

You can enter up to 8 characters for each name.

- Press the NAME.S button.

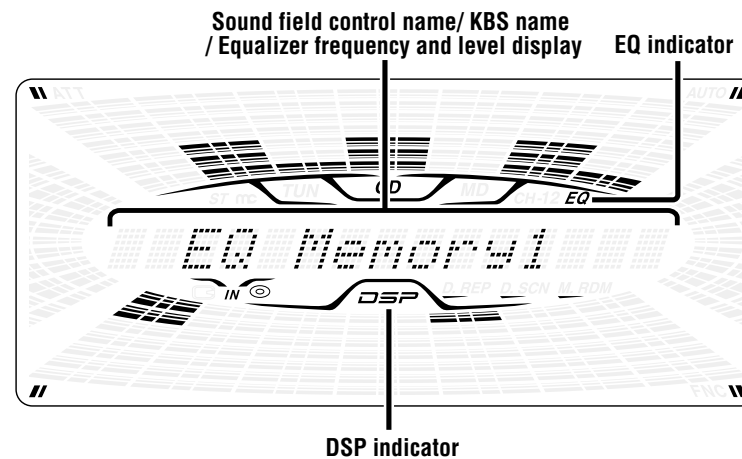
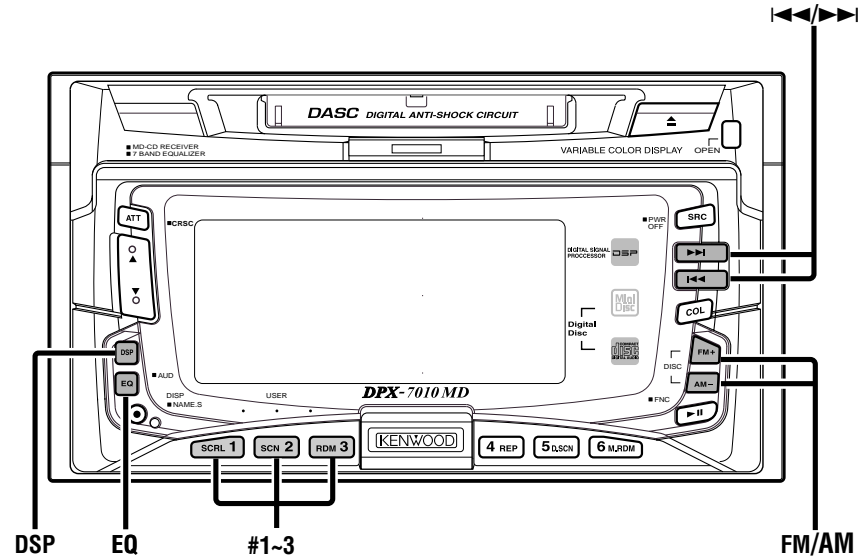
The disc name is stored and the disc name preset mode is canceled.

If you make no entry in a 10-second period, the name will be stored with the characters input so far.

**NOTE**

- The number of discs whose names can be stored will differ depending on the disc changer that is connected. Please see your disc changer manual for details. Up to 10 CDs can be registered with this unit.
- Discs are identified by their total length and number of tracks. If another disc happens to have the same specifications as one that you have already stored a name for, the name will be displayed for it, too.
- If you want to change the name of a disc, repeat steps 1 and 2 to display the name, and then repeat steps 3 and 4 to input the changes.
- Pressing the reset button erases the disc names stored in this unit, but does not erase names stored in a disc changer.
- Each source (CD, CD-CH1, CD-CH2/DISC-CH1/DISC-CH2) has its own memory in which to store the disc names. Discs that have been disc name preset with the CD player will not have their disc name displayed when played on a CD changer.

## DSP/Graphic Equalizer features



## DSP/Graphic Equalizer features

### DSP (Digital Signal Processor)

A DSP is a device which uses digital control to correct the audio signal and produce sound effects that can compensate for the small passenger compartment of a vehicle. The DSP indicator lights up when the DSP is on.

#### Turning the DSP On:

Press the DSP button.

"DSP On" is displayed and the DSP indicator lights up once the DSP is turned on.

#### Turning the DSP Off:

Press the DSP button for at least one second.

### Sound Field Control

This function reproduces many different virtual sound fields such as of a concert hall within a vehicle.

#### Switching the Sound Field Control:

- 1 Press the DSP button. "DSP CTRL" is displayed once the DSP control mode is entered. The DSP indicator blinks during the DSP control mode.
- 2 Each time you press the DSP button, the sound field control switches as follows;

"Stadium"	Recreates the green and full sound of a large stadium.
▼	
"Concert Hall"	Reproduces a larger space inside the vehicle to recreate the live feel of a concert arena.
▼	
"Club Disco"	Fully reproduces the lively beat sound of a small disco club.
▼	
"Church"	Reproduces the reverberation effects of a traditional European cathedral.
▼	
"Listening"	Faithfully reproduces the source under optimum acoustic conditions as in a living room.
▼	
Bypass"	Outputs the sound source as-is without added effects.

#### NOTE

If you make no button operation for 10 seconds, the DSP control mode is automatically canceled.

### Graphic Equalizer

This mode allows you to call up the preset equalizer curves, adjust the graphic equalizer, make the setting of the spectrum analyzer, and so on.

#### Turning the Graphic Equalizer Mode On:

Press the EQ button.

"EQ CTRL" is displayed once the Graphic equalizer mode is entered.

the EQ indicator starts blinking when the Graphic equalizer mode is entered.

#### NOTE

Be sure to turn the Graphic Equalizer mode on when performing the operations described below in the Graphic Equalizer features.

#### Turning the Graphic Equalizer Mode Off:

Press the EQ button for at least one second.

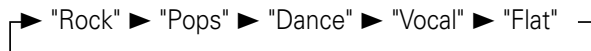
#### NOTE

If you make no button operation for 10 seconds, the Graphic equalizer mode is automatically canceled.

### Preset Equalizer(KBS - Kenwood Built-in Sound) Selection

You can choose the equalizer from five settings whose sound qualities are preset to match music or vehicle characteristics.

#### Switching the Preset Equalizer:


- 1 Press the EQ button. "EQ CTRL" is displayed once the Graphic Equalizer mode is entered.  
The preset equalizer name currently set appears in the display.
- 2 Each time you press the EQ button, the preset equalizer switches as follows;  


```
graph LR; A["Rock"] --> B["Pops"]; B --> C["Dance"]; C --> D["Vocal"]; D --> E["Flat"];
```
- 3 Press the EQ button for at least one second to end the Graphic Equalizer mode.

### Graphic Equalizer Adjustment

You can set the original equalizer curve which do not exist in the preset equalizer (KBS).

#### Switching the Preset Equalizer:

- 1 Press the EQ button. "EQ CTRL" is displayed once the Graphic Equalizer mode is entered.  
The preset equalizer name currently set appears in the display.
- 2 Each time you press the ◀◀ or ▶▶ button, the selectable frequency band switches as follows;  


```
graph LR; A["60Hz"] <--> B["160Hz"]; B <--> C["400Hz"]; C <--> D["1KHz"]; D <--> E["16KHz"]; E <--> F["6KHz"]; F <--> G["2KHz"];
```
- 3 Press the FM button to increase the equalizer level, and the AM button to decrease it.  
There are six levels for both plus and minus allowing each band to be set to one of 13 steps.
- 4 Press the EQ button for at least one second to end the Graphic Equalizer mode.

### Graphic Equalizer Preset Memory

Up to three graphic equalizer curves can be stored in the memory, and then you can recall that equalizer curve with a single touch of a button.

- 1 Press the EQ button. "EQ CTRL" is displayed once the Graphic Equalizer mode is entered.  
The preset equalizer name currently set appears in the display.
- 2 Adjust the graphic equalizer curve that you want to store in the memory.
- 3 Press the button (#1-3) that you want to use for the Graphic Equalizer curve for at least two seconds.  
"EQ Memory-#" blinks once in the display to indicate that the data has stored.
- 4 Press the EQ button for at least one second to end the Graphic Equalizer mode.

#### Recalling a Graphic Equalizer curve you stored:

- 1 Press the EQ button. "EQ CTRL" is displayed once the Graphic Equalizer mode is entered.  
The preset equalizer name currently set appears in the display.
- 2 Press the preset button (#1-3) for the desired Graphic Equalizer curve.
- 3 Press the EQ button for at least one second to end the Graphic Equalizer mode.



## Function items in Standby mode:

### Variable Illumination Color

If you set this function to "V-Color Sync", you can change the display illumination color using the Volume button, and whilst the attenuator is ON, the Red and Blue illumination colors will change places.

**Display and setting:**

"V-Color Sync"  
"V-Color Fix"

### Contrast Adjustment

This adjustment permits easy viewing of the display.

**Display and setting:**

"Contrast 1" – "Contrast 11"

**NOTE**

The initial setting value is "6" .

### Touch Sensor Tone

This function produces a beep sound that accompanies button operation. It can be switched on or off.

**Display and setting:**

"BEEP ON"  
"BEEP OFF"

**NOTE**

The beep sound is not output from the preout jacks.

### Switching Preout

Switch the preout between the rear and non-fading. When you switch to non-fading, you can adjust the volume separately. The factory default is rear preout.

**Display and setting:**

"Preout REAR" : Rear preout  
"Preout N-F" : Non-fading preout

### Opening Display

If this function is set to on, the opening display appears when the power is turned on.

**Display and setting:**

"Opening ON" : Opening display function is on.  
"Opening OFF" : Opening display function is off.

## Function settings

### Function items in Standby mode:

#### Security Code

When the battery is removed from the unit's power switch, you cannot turn on the unit again unless the preset security code is input. This function helps prevent theft.

##### NOTE

You must follow steps 1 to 9 to be able to use the Security Code function. Turning off the power during the procedure will deactivate the security code setting.

Once the security code function has been activated, "CODE STBY" disappears from the function set system. Note that it will no longer be possible to cancel this function afterwards.

- 1 Select the four digits to use in your security code.

##### NOTE

The four-digit security code is very important, as you will need it to turn the unit on again when the code security function is on. Choose the number carefully and do not forget it (write it down and keep it separately in a safe place).

- 2 Press the SRC button repeatedly to select the standby mode. "ALL OFF" is displayed when the standby mode is selected.
- 3 Press the FNC button for at least one second. "Function Set" is displayed and the function set mode is turned on.
- 4 Keep pressing the ►► button until the "CODE STBY" appears in the display.  
Press the ◄◄ button to search in the other direction.
- 5 Press the COL button for at least two seconds. "CODE WRITE" will appear in the display, indicating the code setting mode has been entered. When "CODE \*\*\*\*" appears in the display, you can start inputting the code.
- 6 Press the preset button and enter the security code that you have selected in step 1.  
Example: Use "3510" as the security code.

Step	Button to press	# Times pressed	Display
1	#1	4	"3"
2	#2	6	"5"
3	#3	2	"1"
4	#4	1	"0"

- 7 Press the COL button.  
The security code will be set.  
"CODE \*\*\*\*1" will appear in the display, asking you to enter the code once again for confirmation and then you can start inputting the code.
- 8 Press the Preset button and input the security code again.
- 9 Press the COL button again.  
"CODE WRITE" will appear in the display, with the security code function turning on. From this point on, if the unit is disconnected from the battery, the security code must be entered the first time that the unit's power is turned on.

##### NOTE

If you input an incorrect security code, the code setting mode will be canceled automatically. Follow the procedure in step 6 above.

#### **If you press the RESET button or remove the battery:**

The first time you turn the unit on again, "CODE \*\*\*\*" will appear in the display, asking you to input the security code. Repeat steps 8 and 9 above, and input the security code. You can start operating the unit again when "CODE OK!" appears in the display.  
If you enter the incorrect code, the power will turn off. Enter the correct code to turn the unit on.



---

## Function items in Tuner mode:

### Selecting Tuning Mode

Select which tuning mode — auto seek or manual — to use as the default.

When the AUTO indicator is on, auto seek tuning is selected.

When the indicator is off, manual tuning is selected.

#### **Display and setting:**

"Auto Seek" : Auto seek tuning mode

"Manual Seek" : Manual tuning mode

### Auto Memory Entry

You can automatically store all the receivable frequencies in the band currently being listened to, and then recall them with the touch of a button later. This function is especially useful when you are travelling and do not know what stations are available. Up to six frequencies can be stored this way.

#### **Display and setting:**

**1** Select the display "AME Ready" during the selecting function in the function set system.

**2** Press the COL button for at least two seconds to start auto memory function.

The numbers of the preset station buttons showed in order.

When all the stations in a certain band are stored in the preset memory, the auto memory entry stops. The tuner then plays the last station received.

#### **Recalling a Preset Station:**

Press the preset station button (#1-6) for the desired station.

The number of the recalled station is displayed.

## Function items in MD/External disc control mode:

### Text / Title Scroll

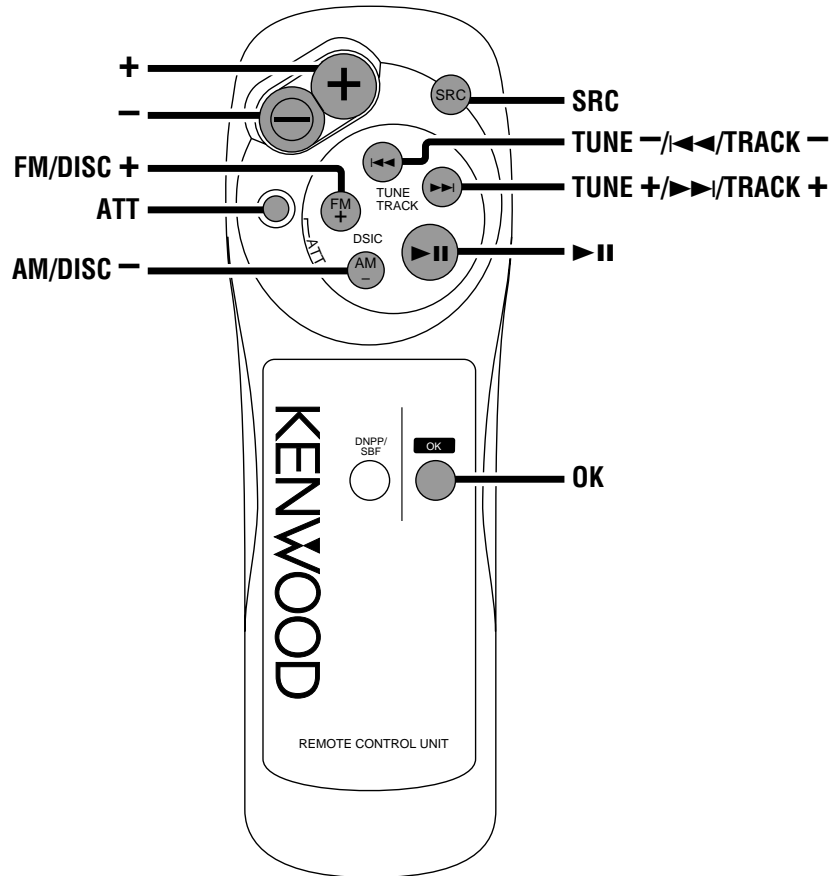
This function permits the CD text and MD title to be scrolled and the entire text to be displayed. Switching between manual scrolling and automatic scrolling is permitted. The factory default is automatic scrolling.

#### **Display and setting:**

"AT.SCRL ON" : Automatic scrolling

"AT.SCRL OFF" : Manual scrolling

## Basic Operations of remote



### ▲CAUTION

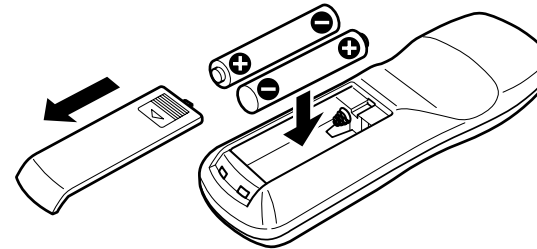
Do not set the remote on hot places such as above the dashboard.

### Loading and Replacing the Batteries:

Use two "AAA"-size batteries.

Slide the cover while pressing downwards to remove it as illustrated.

Insert the batteries with the **+** and **-** poles aligned properly, following the illustration inside the case.



### ▲WARNING

Store unused batteries out of the reach of children. Contact a doctor immediately if the battery is accidentally swallowed.

### NOTE

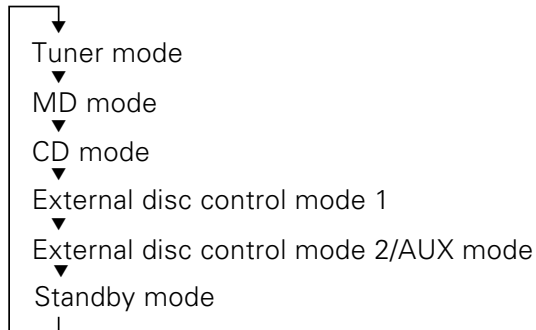
- The provided batteries are intended for use in operation checking, and their service life may be short.
- When the remote controllable distance becomes short, replace both of the batteries with new ones.

### NOTE

A portion of the operations may not be possible, depending on the unit that is connected.

## Basic operations

- **VOLUME buttons**  
Press the + button to turn the volume up.  
Press the - button to turn the volume down.
- **SRC button**  
Each time you press the SRC button, the mode switches as follows:



### NOTE

- The mode switches to the next mode from any mode which cannot be used.
- The external disc control mode will differ depending on the unit that is connected.
- The AUX mode is available only when the changer / AUX switching adapter (KCA-S210A or CA-C1AX) or CD changer (KDC-CPS85, KDC-CX85, KDC-CPS82 or KDC-CX82) is connected to this unit.  
During the AUX mode, "AUX Mode" will show in the display. When the CA-C1AX is being used, the AUX Mode will replace the External Disc Control Mode.
- **ATT button**  
Turns down the volume quickly. To return the volume to its original level, press the button again. Turning the volume up, or turning it all the way down deactivates the attenuator function.

## Tuner features

- **◀◀/▶▶ (TUNE) buttons**  
Press the ◀◀ button to decrease the frequency.  
Press the ▶▶ button to increase the frequency.  
Use to move the cursor left or right during station name input.
- **AM/FM button**  
Press the AM button to select the AM band.  
Press the FM button to select and switch between FM1, FM2, and FM3 bands.  
During station name input, selects digits and symbols.
- **▶|| buttons**  
Selects the type of characters at the time of entering the station name.
- **OK button**  
During station name input, stores the already input data in memory and ends the input mode.

### NOTE

Pressing the OK button during the tuner mode results the frequency part of the display blinking. In such cases, press the button again. It returns to the original display.



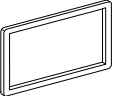
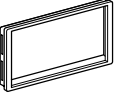

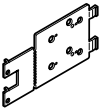
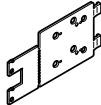
## CD/MD/External disc control features

- **◀◀/▶▶ buttons**  
Press the ◀◀ button to search through the tracks backward.  
Press the ▶▶ button to search through the tracks forward.  
Use to move the cursor while entering disc name.
- **DISC buttons (for disc changers)**  
Press the DISC- button to search through the discs backward.  
Press the DISC+ button to search through the discs forward.  
Select numbers and symbols while entering disc name.
- **▶|| button**  
When a disc is playing, this button pauses the play.  
Press the same button again to start play again.
- **OK button**  
During disc name input, stores the already input data in memory and ends the input mode.

## Accessories

### External view

..... Number of items





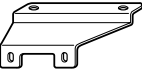
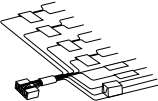
- |   |  |                    |
|---|--|--------------------|
| ① |   | (M5x6mm)<br>.....6 |
| ② |   | (M4x6mm)<br>.....1 |
| ③ |   | .....1             |
| ④ |   | .....1             |
| ⑤ |   | .....1             |
| ⑥ |   | .....1             |
| ⑦ |  | .....1             |

#### ▲CAUTION

The use of any accessories except for those provided might result in damage to the unit. Make sure only to use the accessories shipped with the unit, as shown above.

### External view

..... Number of items

- |   |   |                     |
|---|---|---------------------|
| ⑧ |  | .....1              |
| ⑨ |  | (M3x6mm)<br>.....2  |
| ⑩ |  | (M5x6mm)<br>.....6  |
| ⑪ |  | (M5x10mm)<br>.....2 |
| ⑫ |  | .....1              |
| ⑬ |  | .....1              |

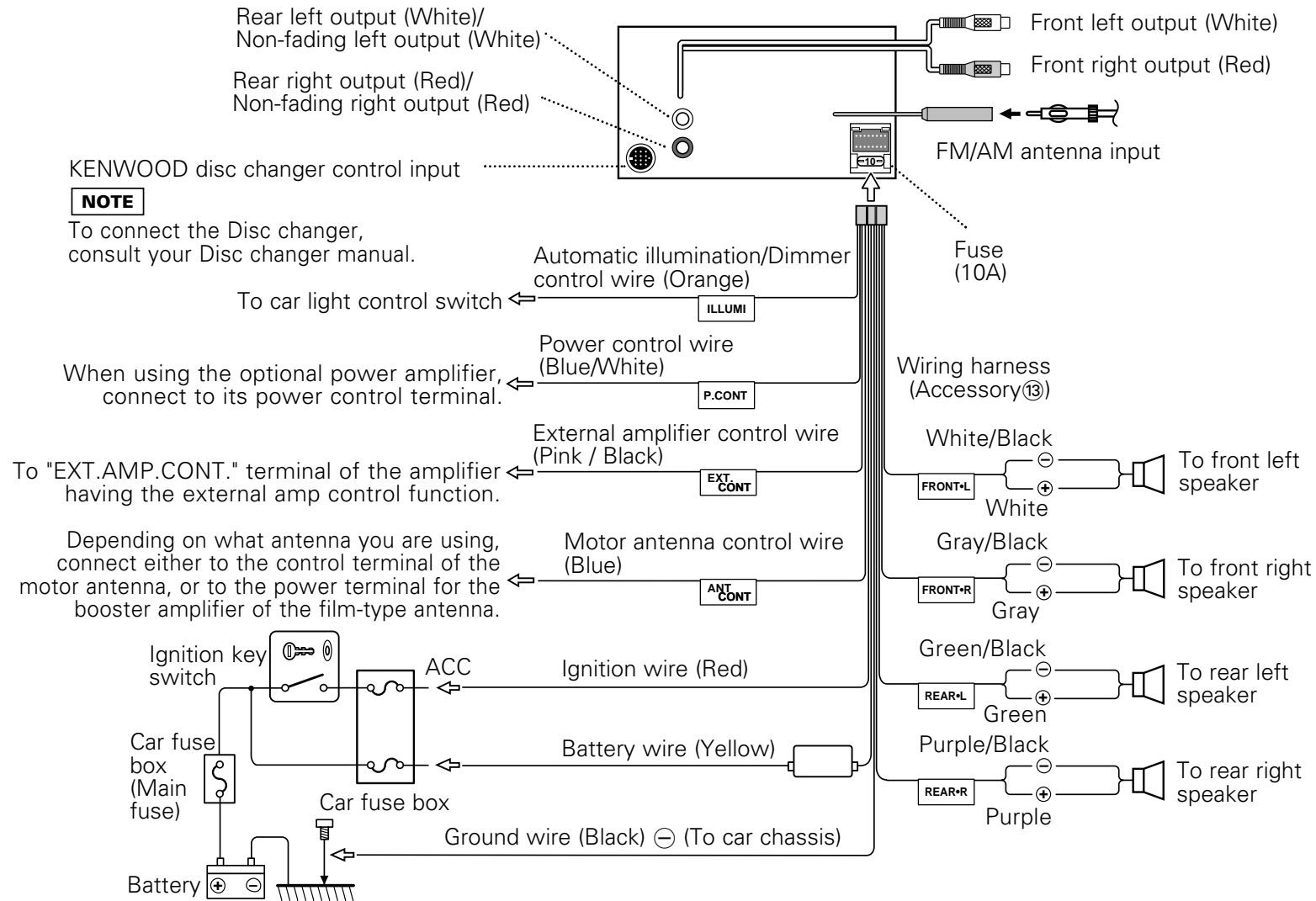
## Installation Procedure

- To prevent a short circuit, remove the key from the ignition and disconnect the ⊖ battery.
- Make the proper input and output wire connections for each unit.
- Connect the speaker wires of the wiring harness.
- Connect the wiring harness wires in the following order: ground, battery, ignition.
- Connect the wiring harness connector to the unit.
- Install the unit in your car.
- Reconnect the ⊖ battery.
- Press the reset button.

#### ▲CAUTION

- If your car's ignition does not have an ACC position, connect the ignition wires to a power source that can be turned on and off with the ignition key. If you connect the ignition wire to a power source with a constant voltage supply, as with battery wires, the battery may die.
- If the console has a lid, make sure to install the unit so that the faceplate will not hit the lid when closing and opening.
- If the fuse blows, first make sure the wires aren't touching to cause a short circuit, then replace the old fuse with one with the same rating.
- Do not let unconnected wires or terminals touch metal on the car or anything else conducting electricity. To prevent a short circuit, do not remove the caps on the ends of the unconnected wires or the terminals.
- Insulate unconnected wires with vinyl tape or other similar material.
- Connect the speaker wires correctly to the terminals to which they correspond. The unit may be damaged or fail to work if you share the ⊖ wires or ground them to any metal part in the car.
- After the unit is installed, check whether the brake lamps, blinkers, wipers, etc. on the car are working properly.
- Some disc changers need conversion cords for connection. See the section on "Safety Precautions" for details.
- Mount the unit so that the mounting angle is 30° or less.

## Connecting Wires to Terminals



### ⚠ WARNING

If you connect the ignition wire (red) and the battery wire (yellow) to the car chassis (ground), you may cause a short circuit, that in turn may start a fire. Always connect those wires to the power source running through the fuse box.

### ⚠ CAUTION

When only two speakers are being connected to the system, connect the connectors either to both the front output terminals or to both the rear output terminals (do not mix front and rear). For example, if you connect the ⊕ connector of the left speaker to a front output terminal, do not connect the ⊖ connector to a rear output terminal.

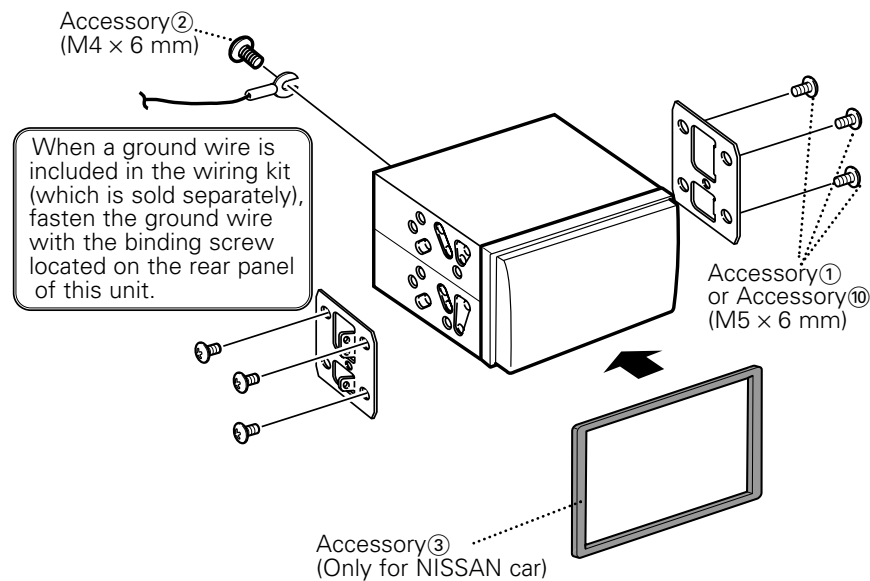
## Installation (for TOYOTA, NISSAN Car etc.)

### ▲CAUTION

When performing a check of the CD operation prior to installation, place this unit in a horizontal position and perform a loading/eject of the CD.

### ■ Installation

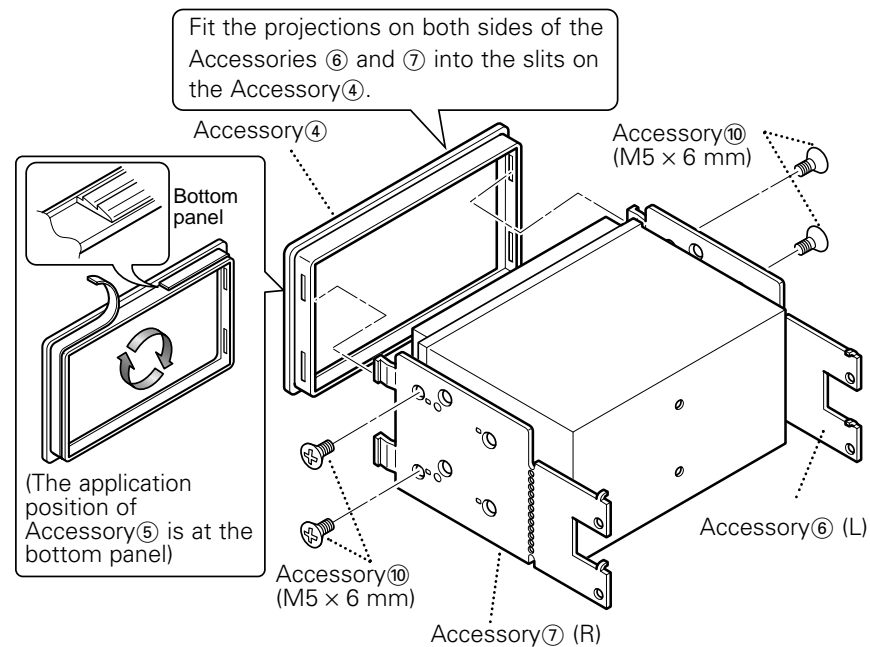
Install onto the car bracket using the supplied screws (M5 × 6 mm). The holes of the car bracket to use will differ depending on the car model.



## Installation (for HONDA/ ACURA Car)

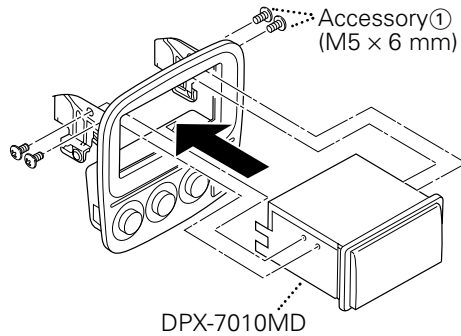
You can choose from three installation types to fit your car. Perform "Assembly" before installation.

### ■ Assembly



## ■ Installation type 1

- 1 Use Accessory① to attach the unit which was assembled in Assembly.



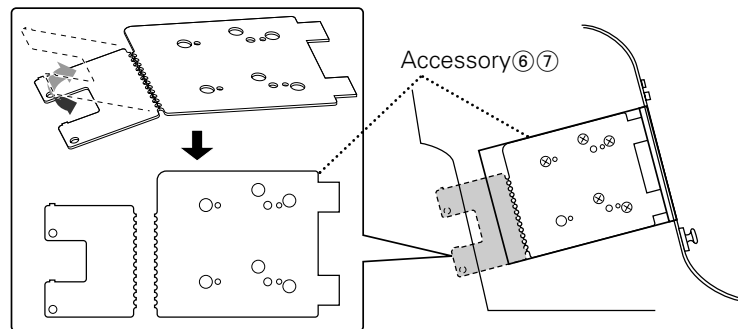
- 2 Install the center panel with the unit in your car.

### NOTE

The illustration shows an example of installation using a vehicle bracket. The shape of the bracket varies with the vehicle to be installed. Some bracket requires three screws (Accessory①) on each side.

### NOTE

If accessories ⑥ and ⑦ hit the inside of the console, preventing the unit from being attached tightly, snap their end parts off as shown below. shipped with the unit, as shown above.



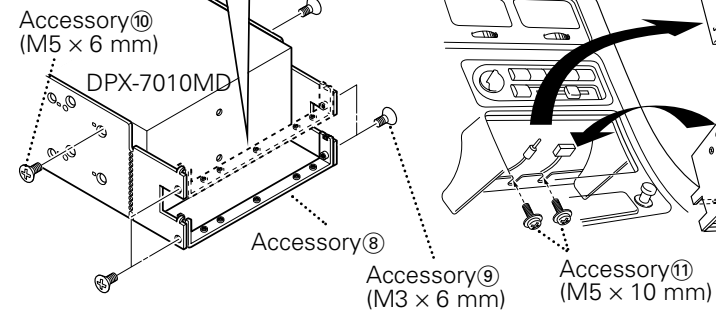
### ▲CAUTION

Be careful not to get injured with the new edge.

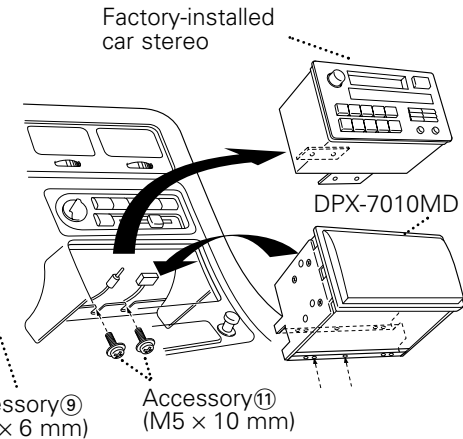
## ■ Installation type 2

- 1 Attach Accessory⑧ which was assembled in Assembly.

Accessory⑧ is to be fixed either to the center or bottom, depending on the car model.

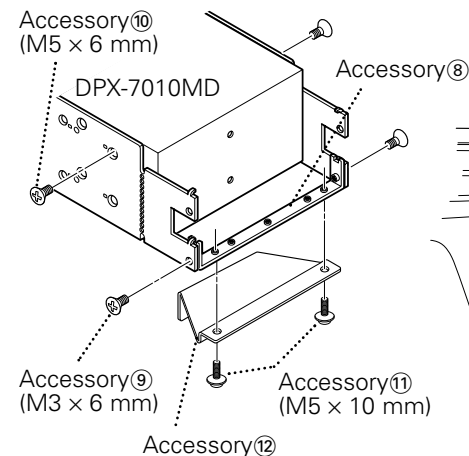


- 2 Remove the factory-installed car stereo and install the unit.

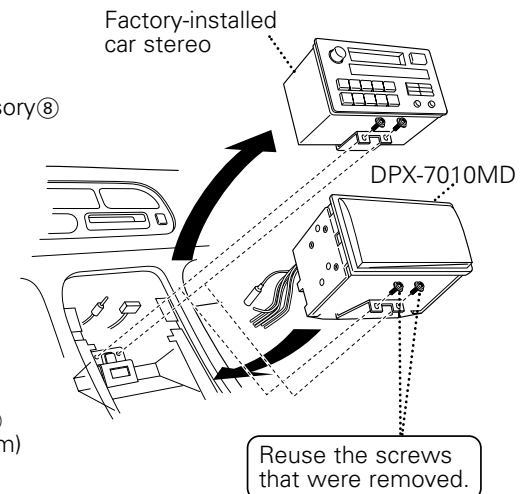


## ■ Installation type 3

- 1 Attach Accessory⑫ to Accessory⑧ which was assembled in Assembly.



- 2 Remove the factory-installed car stereo and install the unit.



## Troubleshooting Guide

What might seem to be a malfunction in your unit may just be the result of slight misoperation or miswiring. Before calling service, first check the following table for possible problems.

PROBLEM	POSSIBLE CAUSE	SOLUTION
The power does not turn on.	The fuse has blown.	After checking for short circuits in the cables, replace the fuse with one having the same rating.
No sound can be heard, or the volume is low.	The Attenuator function is turned on.	Turn off the Attenuator function.
	The fader and/or balance settings are set all the way to one side.	Reset the fader and/or balance settings.
Nothing happens when the buttons are pressed.	The input/output cables or wiring harness are connected incorrectly.	Reconnect the input/output cables and/or the wiring harness correctly. See the section on "Connecting Cables to Terminals".
	The computer chip in the unit is not functioning normally.	Press the reset button on the unit (see page 4).
The sound quality is poor or distorted.	A speaker cable may be pinched by a screw in the car.	Check the speaker wiring.
	The speakers are not wired correctly.	Reconnect the speaker cables so that each output terminal is connected to a different speaker.
Radio reception is poor.	The car antenna is not extended.	Pull out the antenna all the way.
	The antenna control cable is not connected.	Connect the cable correctly, referring to the section on "Connecting Wires to Terminals".
The memory is erased when the ignition is turned off.	The battery cable has not been connected to the proper terminal.	Connect the cable correctly, referring to the section on "Connecting Wires to Terminals".
	The ignition and battery cable are incorrectly connected.	Connect the cable correctly, referring to the section on "Connecting Wires to Terminals".
The DSP effects are imperceptible.	You are using a two-speaker system.	Use a front/rear four-speaker system.
	The front and rear output are reversed.	Connect the wire correctly, referring to the section on "Connecting Wires to Terminals".
	The ⊕ and ⊖ of speakers are reversed.	Connect the wire correctly, referring to the section on "Connecting Wires to Terminals".
	The fader or balance settings are set all the way to one side.	Reset the fader or balance settings.





## CD/MD/External disc control mode

PROBLEM	POSSIBLE CAUSE	SOLUTION
The MD cannot be inserted.	There is already an MD loaded.	Eject the currently loaded MD and then load the new one.
The MD does not load.	The insertion orientation of the MD is incorrect or the MD is upside down.	Insert the MD in the proper orientation.
The MD loads but soon comes out again.	Nothing is recorded on the MD.	Replace the MD with one that is recorded.
The sound skips.	The mounting angle exceeds 30°.	Adjust to an angle of less than 30°.
	The mounting is unstable.	Fix the unit securely. When the sound skips at the same portion even when the car is stopped, the problem lies with the MD.
There is noise during playback.	The MD is soiled with dust or dirt.	If another MD is played back and there is no problem, then the problem is due to the sound quality of the MD itself.
The disc control mode cannot be selected.	No wire has been connected to the disc changer input terminal on the unit.	Connect the wire to the disc changer input terminal on the unit.
The specified disc does not play, but another one plays instead.	The specified CD is quite dirty.	Clean the CD.
	The CD is upside-down.	Load the CD with the labeled side up.
	The disc is loaded in a different slot from that specified.	Eject the disc magazine and check the number for the specified disc.
	The disc is severely scratched.	Try another disc instead.
The sound skips.	Something is touching the disc changer.	Remove whatever is touching it.
	The CD is scratched or dirty.	If skipping happens at the same place when the car is stopped, something with the CD is wrong. Clean the CD.
The display shows that the changer is being played, but no sound can be heard.	The computer chip in the unit is not functioning normally.	Press the reset button on the unit (see p.4).
The specified track will not play.	Random play or magazine random play has been selected.	Turn off random play or magazine random play.
Track repeat, disc repeat, track scan, disc scan, random play, and magazine random play start by themselves.	The setting is not cancelled.	The settings for these functions remain on until the setting to off or the disc ejected, even if the power is turned off or the source changed.
CD-R or CD-RW will not play.	Disc has not undergone finalisation processing	A CD-R or CD-RW cannot be played until it has undergone finalisation processing on the CD Recorder.
	Disc will not play on CD Changer.	If your CD Changer does not support CD-Rs or CD-RWs, you will not be able to play these discs.

## Troubleshooting Guide

The following messages are displayed when certain problems are occurring in your system. Take the recommended actions.

EJECT	No disc magazine has been loaded in the changer. The disc magazine is not completely loaded. ⇒ Load the disc magazine properly.
No Disc	No disc has been loaded in the disc magazine. ⇒ Load a disc into the disc magazine.
Error-04	No disc has been loaded in the disc magazine. ⇒ Load a disc into the disc magazine. The CD is quite dirty. The CD is upside-down. The CD is scratched a lot. ⇒ Clean the CD and load it correctly.
Blank Disc	Nothing has been recorded on the MD.
No Track	No tracks are recorded on the MD, although it has a title.
Error-12	MDs designed for data. ⇒ Please use MDs designed for music.
Error-77	The unit is malfunctioning for some reason. ⇒ Press the reset button on the unit. If the "Error 77" code does not disappear, consult your nearest service center.
Meca Error	Something is wrong with the disc magazine. Or the unit is malfunctioning for some reason. ⇒ Check the disc magazine. And then press the reset button on the unit. If the "Meca Error" code does not disappear, consult your nearest service center.
H-HOLD	The protective circuit in the unit activates when the temperature inside the automatic disc changer exceeds 60°C (140°F), stopping all operation. ⇒ Cool down the unit by opening the windows or turning on the air conditioner. As the temperature falls below 60°C (140°F), the disc will start playing again.
	The MD player section is not operating properly. ⇒ Reinsert the MD. If the MD cannot be ejected or the display continues to flash even when the MD has been properly reinserted, please switch off the power and consult your nearest service center.
	The CD player section is not operating properly. ⇒ Reinsert the CD. If the CD cannot be ejected or the display continues to flash even when the MD has been properly reinserted, please switch off the power and consult your nearest service center.

### If the following situations, consult your nearest service center:

- Even though the disc changer is connected, the Disc Changer Mode is not on, with "Aux Mode" showing in the display during the Changer Mode.
- Even though no device (KCA-S210A, CA-C1AX, KDC-CPS85, KDC-CX85, KDC-CPS82 or KDC-CX82) is connected, the AUX Mode is entered when switching modes.

## Specifications

Specifications subject to change without notice.

### FM tuner section

Frequency Range	
(50kHz)	87.5 MHz - 108.0 MHz
(200kHz)	87.9 MHz - 107.9 MHz
Usable Sensitivity (S/N: 30dB)	9.3 dBf (0.8 $\mu$ V/75 $\Omega$ )
Quieting Sensitivity (S/N: 50dB)	15.2 dBf (1.6 $\mu$ V/75 $\Omega$ )
Frequency Response ( $\pm$ 3.0dB)	30 Hz-15 kHz
Signal to Noise ratio	70 dB (MONO)
Selectivity	$\geq$ 80 dB ( $\pm$ 400 kHz)
Stereo Separation	40 dB (1 kHz)

### AM tuner section

Frequency Range	
(9kHz)	531kHz - 1611kHz
(10kHz)	530kHz - 1700kHz
Usable Sensitivity (S/N: 20dB)	28 dB $\mu$ (25 $\mu$ V)

### CD player section

Laser diode	GaAlAs ( $\lambda$ =780 nm)
Digital filter (D/A)	8 Times Over Sampling
D/A Converter	1 Bit
Spindle speed	500 – 200 rpm (CLV)
Wow & Flutter	Below Measurable Limit
Frequency response ( $\pm$ 1 dB)	10 Hz – 20 kHz
Total harmonic distortion (1 kHz)	0.01 %
Signal to Noise ratio	93 dB (1 kHz)
Dynamic range	93 dB
Channel separation	85 dB

### MD player section

Laser diode	GaAlAs ( $\lambda$ =780 nm)
Digital filter (D/A)	8 Times Over Sampling
D/A Converter	1 Bit
Spindle speed	400 – 900 rpm (CLV)
Wow & Flutter	Below Measurable Limit
Frequency response ( $\pm$ 1 dB)	20 Hz – 20 kHz
Total harmonic distortion (1 kHz)	0.01 % (1 kHz)
Signal to Noise ratio	90 dB (1 kHz)
Dynamic range	90 dB
Channel separation	85 dB

### Audio section

Maximum output power	47 W X 4
Full bandwidth power (at less than 1% THD)	22 W X 4
Preout level / Load	1500mV/10k $\Omega$
Preout impedance	$\leq$ 600 $\Omega$

### DSP/Equalizer section

A/D, D/A converter	
	.....Three-dimensional $\Delta\Sigma$ 18bit 128Times Oversampling
Equalizer frequency	60/160/400/1k/2k/6k/16k Hz
Adjustable range	$\pm$ 12 dB

### General

Operating voltage	14.4 V (11 – 16 V allowable)
Current consumption	10 A
Installation size (W X H X D)	178 X 100 X 155 mm
Weight	2.9 kg

KENWOOD