

TOSHIBA



**TOSHIBA AMERICA INFORMATION SYSTEMS
STORAGE DEVICE DIVISION
IRVINE, CALIFORNIA**

**SD-M1401
DVD-ROM SCSI DRIVE
USER MANUAL**

CONTENTS

Introduction.....	1
Setup	3
Using the DVD-ROM Drive	7
Troubleshooting.....	10
Specifications	11
Drive Connectors.....	14

INTRODUCTION – SD-M1401 DVD-ROM Drive

General Features

Tray Loading Mechanism

3-way Disc Eject (eject button, software, emergency eject hole)

Average Random Access Time

CD-ROM	85ms
DVD	105ms

DAE (Digital Audio Extraction) Audio Capability

MPC3 Compatibility

Headphone Output Volume Control

Multi-Read Capability

Regionalization (RPC2 compliance) (DVD)

SCSI BUS Interface:

Drive Speed

DVD	4.1X – 10X
CD	17.2X – 40X

Types of Disc Formats Supported

DVD

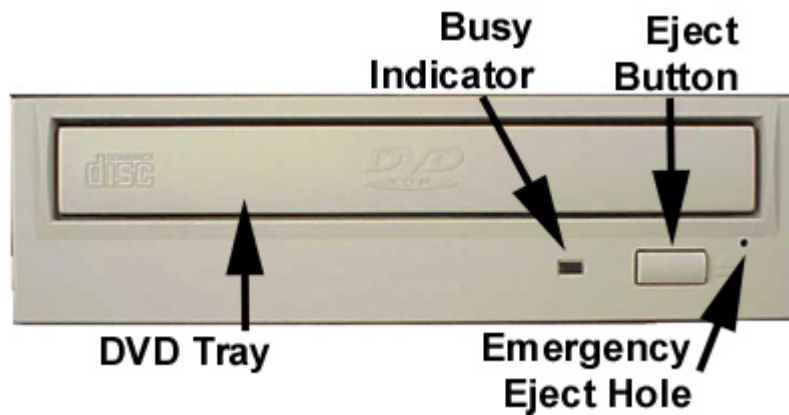
- DVD-ROM
 - DVD-5 - Single-sided/Single Layer
 - DVD-9 - Single-sided/Dual Layer
 - DVD-10 - Double-sided/Single Layer
 - DVD-18 - Double-sided/Dual Layer
- DVD-R (Read – Ver. 1, 3.9GB media only)

CD

- CD-DA
- CD+(E)G
- CD-MIDI
- CD-TEXT
- CD-ROM
- CD-ROM-XA
- CD-I Bridge (Photo-CD, Video CD)
- CD-I
- Multi-session (Photo-CD, CD Extra, CD-RW, CD-R)
- CD-R (Read)
- CD-RW (Read)

Front Panel

Figure 1.SD-M1401 DVD-ROM Drive Front Panel



Loading Tray Load disc using tray.

Busy Indicator When you install a disc into the DVD-ROM drive, the BUSY light flashes slowly as it attempts to locate the disc. One of the following will occur:

- BUSY light goes out. The DVD-ROM drive is ready to read data from the disc.
- BUSY light flashes slowly. The disc may be dirty.
- BUSY light remains ON. The DVD-ROM is accessing data.
- BUSY light remains ON indefinitely. The DVD-ROM is experiencing an error

Eject Button The Eject button is used to open the disc tray so you can install or remove a disc.

Emergency Eject Hole The emergency eject hole is to be used only when the Loading Tray will not open when Eject button is pressed.

SETUP – SD-M1401 DVD-ROM

The following steps must be performed to properly install your drive:

- Set DVD-ROM Drive Jumper Settings:
SCSI ID, Parity, Termination, 512/2K, Power
- Connect Audio Cable
- Attach SCSI Interface Cable
- Attach Power Cable
- Daisy-Chaining SCSI Drives (if applicable)
- Mount Drive

Jumper Settings

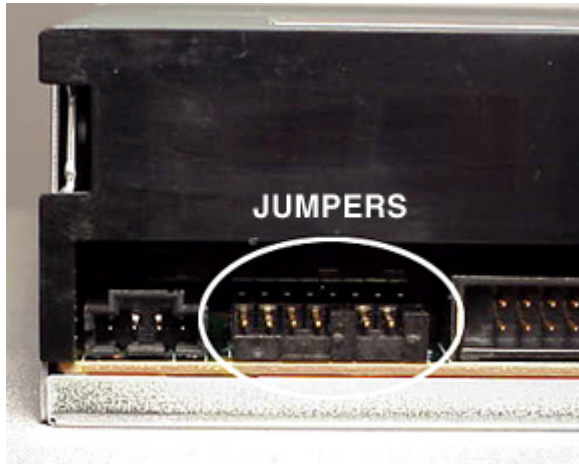


Figure 1. Jumper Location

A block of mode select jumpers are located on the rear of the DVD-ROM. If a jumper covers both pins on the jumper block, it is ON; if there is no jumper or only one of the pins is covered, the jumper is OFF. The jumper settings include SCSI ID, Parity, Termination, Block Selectability, Test and Power Supply.

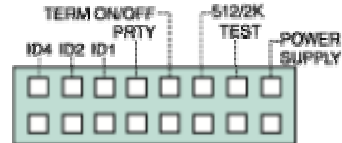


Figure 2. Jumper Block

SCSI ID - All SCSI devices attached to your computer are assigned a SCSI-ID number from 0 to 7. Your DVD-ROMs SCSI ID must be set so that its ID number does not conflict with any other devices SCSI-ID in your system. In most cases, your DVD-ROM will be set to SCSI ID 4 at the factory. Also note that your SCSI interface card in most cases has a SCSI ID of 7. This following chart (figure 3) shows the jumper settings for the eight possible ID numbers

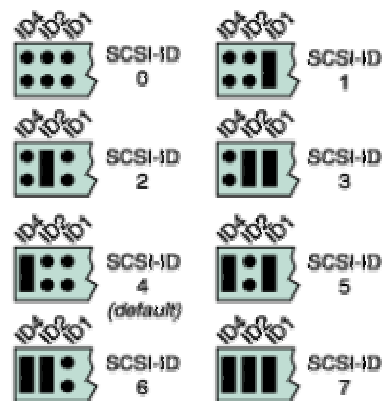


Figure 3. SCSI ID Examples

Parity - In the OFF mode, the parity bit check function on the SCSI data bus is activated which enhances data bus reliability. Therefore, the jumper should remain in the OFF mode.

Terminator ON/OFF - This jumper turns termination power ON or OFF. If you are connecting more than one SCSI device to your system, and the DVD-ROM is not at the end of the chain, then terminator jumper is not required.

512/2K (Block Size Selectability) - This jumper is used to select default block size. When the jumper is present, the default block size equals 512Bytes, when the jumper is not present, the default block size is 2048Bytes. This is effective for CD media only, not DVD media.

Test - This setting selects the drive operation between normal CD-ROM and CD-Audio player mode. When jumper is set to ON position, commands from the host computer are ignored. This jumper is for test purposes only and should be set to OFF for proper CD-ROM function.

Power Supply - Toshiba SCSI DVD-ROM drives can supply power to other equipment on the SCSI BUS. When the jumper is ON, the drive will supply termination power. If you are not sure if any other device supplies termination power, it is fine to leave the jumper ON.

Placing DVD-ROM Drive inside your Computer

Now that you have set the jumpers, you are ready to install your DVD-ROM drive inside your computer.



Important Note: Disconnect power from your computer system before beginning installation.

Remove computer cover and faceplate if required. Refer to your computer systems manual for removal information. If the DVD-ROM drive is replacing a CD-ROM or DVD-ROM, remove drive presently installed in your system.

Your Toshiba DVD-ROM drive can be placed in any free half-height drive slot at the front of your computer. (It can be mounted horizontally or vertically.)

Carefully start sliding the DVD-ROM drive into the opening with the disc tray facing the front of the computer. Before you push the drive all the way in you will need to connect the IDE BUS cable, Audio cable and the Power cable on the back of the drive.

Connecting Cables

SCSI Interface Cable (not supplied with drive) - The internal SCSI interface cable is connect to your SCSI host adapter card and fits into the socket on the back of your DVD-ROM. The stripe or red-colored side of the ribbon cable connects to pin 1 of the drive's SCSI connector which is found next to the drive's power connector. Carefully push the SCSI connector into the socket, making sure it fits snugly

Power Cable - Connect an internal computer power supply cable to the power socket at the back of the DVD-ROM drive. One side of the plug has chamfered edges, so the power connector fits only one way. Push plug completely into the socket making sure the plug fits correctly.

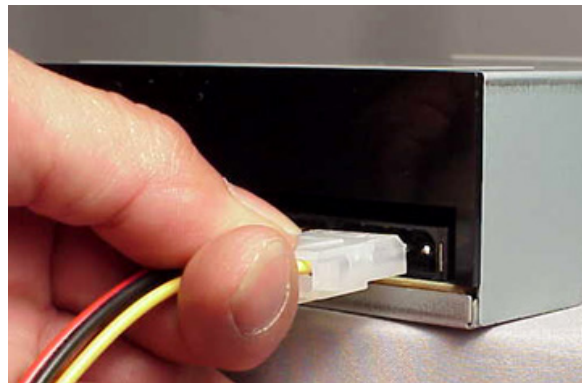


Figure 4. Installing Power Cable

Audio Cable (optional) - If you have a sound card and speakers, and would like to play audio CDs on your computer, you will need to install a CD/DVD audio cable. Toshiba's DVD-ROM drives use a standard 4-pin audio cable that can be purchased from most local computer suppliers. The sound cable connects to your sound card at one end and the other end connects to the digital audio connector at the left rear of the DVD-ROM drive (see DVD-ROM drive Back Panel photo for location). Refer to the instructions that came with your sound card for details on any sound-driver software required.

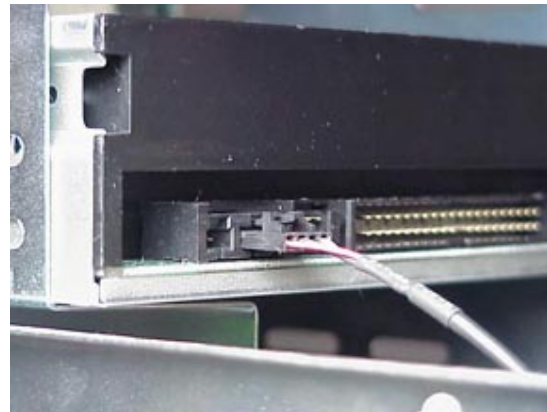


Figure 5. Installing Audio Cable

Daisy-Chaining - If the DVD-ROM you are installing is one of two or more SCSI devices you are connecting to your system, you will need to use a custom built SCSI interface cable. Remember that the terminator jumper on the DVD-ROM drive must have the jumper installed when the drive is the last device in the chain.

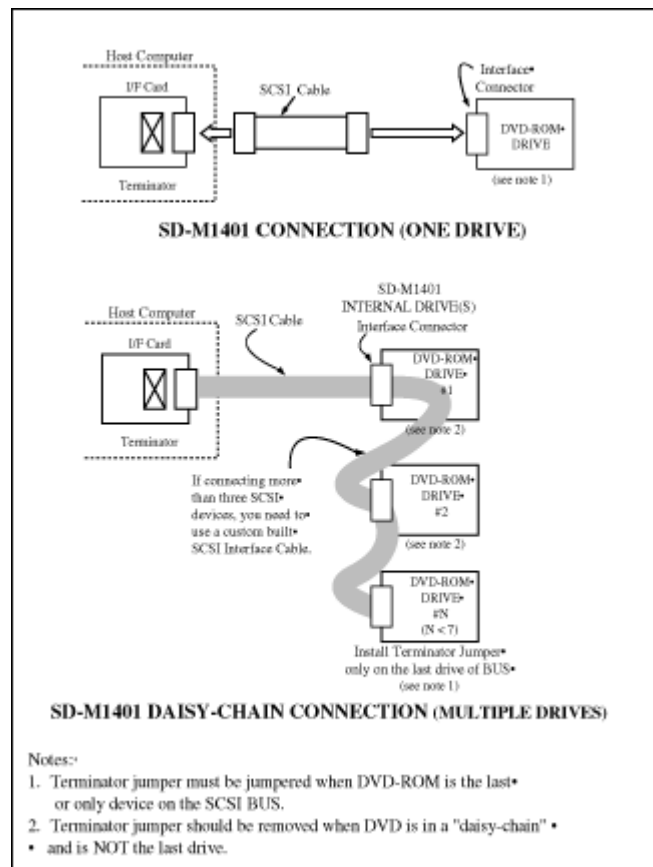
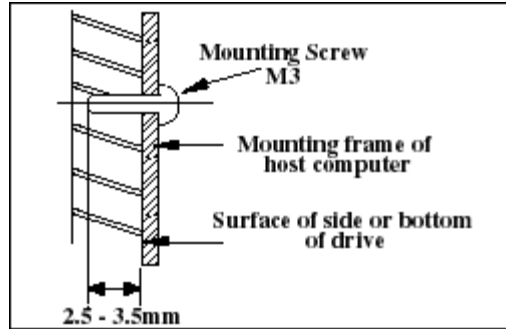


Figure 6. Daisy-Chaining Multiple Drives

Completing Installation

After you have connected all the necessary cables, push the DVD-ROM drive completely into the computers drive slot. Mount drive per your computers instructions. The screw length should not exceed 30.5mm (measured from outside surface of side or bottom of drive to tip of screw). Replace computer cover and all outer screws.

Figure 7.Mounting Illustration



Software Driver - Toshiba's optical drives do not require any unique device drivers for Windows '95/'98/2000/Me/XP/NT. After installing your drive and re-booting, your system should recognize your drive. Windows '95/'98/2000/Me/XP/NT Operating Systems support all Toshiba optical drives natively. If you prefer using DOS, download the DOS ATAPI driver from our web site.

USING THE DVD DVD-ROM Drive – SD-M1401

Drive Operation

Inserting a Disc - Horizontally

To insert a disc into a drive that is mounted horizontally, perform the following steps:

Figure 1. Inserting Disc



1. Open the drive's Loading tray by pressing the Eject Button.
2. Place disc into drive's Loading tray
3. Press Eject button again or gently push on the open disc tray. Tray will automatically close.

Inserting a Disc - Vertically

To insert a disc in a drive that is mounted vertically, perform the following steps:

1. Locate sliding disc holders (4 locations) on drive's Loading Tray.
2. Position the disc behind the disc holders
3. Close the drive by gently pushing in the tray or pressing the eject button.



Figure 2. Inserting Disc Vertically

Removing a Disc

To remove a disc from the DVD-ROM drive, perform the following steps:

1. Open the Loading Tray by pressing the Eject Button.
2. Grasp disc by edges, and lift out of loading tray.
3. Press Eject Button again to close Loading Tray.

Usage Guidelines

- Keep the disc tray closed when not using the DVD-ROM Drive.
- Do not press down on the disc tray when opening or closing it.
- Do not place objects on the disc tray.
- Never use a damaged, broken, or deformed disc.
- Do not press the Open/Close button while the drive is playing a DVD movie or accessing a disc.
To stop a DVD movie, click Stop button in the DVD player application program.



NOTE: High-speed drives spin the disc at a high rotational speed. If a disc has printing on only half of the disc, or if there is a slight imbalance in the disc, the imbalance is greatly magnified by the high speed, causing the drive to vibrate or produce a fan-like noise. These effects are inherent in the high-speed technology and do not indicate a problem with the drive.

Emergency Ejection



CAUTION: The following procedure is intended only as a last resort when pressing the eject button fails to open the Loading Tray

1. Turn computer power OFF by properly shutting down system.
2. Insert a solid bar (i.e. large paper clip) into Emergency Eject hole and push as shown in the picture below
3. DVD tray will open/eject.

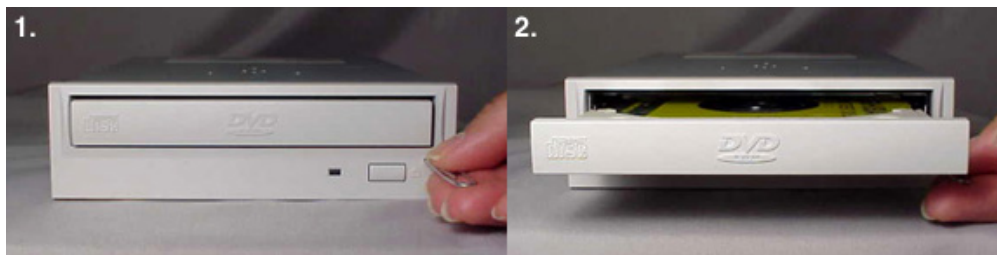


Figure 3.Using Emergency Eject

This procedure cannot be repeated without cycling the DVD-ROMs (computer's) power. After the media is removed and the loading tray is closed, the tray will not reopen without first turning the power ON/OFF.



NOTE: Use a bar that is less than 1.5 mm in diameter. Do not insert more than 50mm in depth. Inserting more than 50mm may damage the DVD-ROM drive.

Handling Media

DVD media is sensitive to dust and fingerprints. Carefully handle media by its edges only. If a DVD movie skips or hangs during playback, clean the media. Most DVD video playback issues are media-related and can be remedied by proper handling and care of media.

Cleaning Media

Try to avoid touching the read area (underside) of the disc as dirt and smears will degrade the disc accessing speed.

If the disc becomes dirty wipe it with a damp soft cloth. Avoid cleaning in a circular motion, but rather from the inner side outward.

TROUBLESHOOTING – SD-M1401

Problem	Solution
Disc tray cannot be opened	<ul style="list-style-type: none"> • Check that there is power to drive. • Use Emergency Eject instructions to open tray.
Drive is not recognized by system	<ul style="list-style-type: none"> • Is the drive connected properly? Are all cables plugged in properly (e.g. Power Cable, Interface Cable and Audio Cables). • Are the drive configuration jumpers on the DVD-ROM drive set properly? • Check to see that there is no SCSI ID conflict with another SCSI device connected to your system • Is the SCSI host adapter software driver loaded? On a step-by-step (F8) Boot of the system is the DVD-ROM recognized? (BIOS / DOS reports "device driver not found" or "no valid DVD-ROM drivers selected."). If not, Contact you SCSI host adapter manufacturer. • Has the DVD-ROM drive software driver been corrupted by a virus. Run a Virus Scan program and repair if possible. Contact Technical Support if the Virus renders the DVD-ROM drive software drivers not useable.
Drive is not recognized by system during Boot process, but is recognized by the Operating System (i.e. XP, Win2000, Win98, Win NT, etc.)	<ul style="list-style-type: none"> • Is the SCSI host adapter software driver loaded? On a step-by-step (F8) Boot of the system is the DVD-ROM recognized? (BIOS / DOS reports "device driver not found" or "no valid DVD-ROM drivers selected."). If not, Contact you SCSI host adapter manufacturer. • Has the Windows DVD-ROM SCSI host adapter driver program been corrupted by a virus. Run a Virus Scan program and repair if possible. Contact you SCSI host adapter manufacturer if the Virus renders the software driver not useable.
BUSY Indicator LED flashes slowly	<ul style="list-style-type: none"> • The disc may be dirty Clean it with a soft damp cloth. Avoid cleaning the disc using a circular motion. The disc should be wiped in a radial direction. That is, from the inner side outward. • The laser lens may have become cloudy or blocked by particulate matter. Please contact Technical Support.
BUSY Indicator LED is constantly ON	<ul style="list-style-type: none"> • Possible Hardware Problem. Please contact Technical Support.
DVD-ROM can not play a DVD in the drive or certain types of CD media (i.e. CD-plus, etc.)	<ul style="list-style-type: none"> • Is the SCSI host adapter driver loaded • Is the DVD disc the correct format for the type of system that you are using? (i.e. on a PC an ISO9660 IBM compatible PC format as opposed to Apple/Mac HFS disc or UNIX disc formats which will not function). • Do you have the correct software applications program/drivers installed to run a DVD disc? • Has the Windows DVD-ROM drive software driver program been corrupted by a virus. Run a Virus Scan program and repair if possible. Contact Technical Support if the Virus renders the software drivers not useable.

SPECIFICATIONS –SD-M1401

General

Interface SCSI

Compatible DVD-ROM Standards

DVD	DVD-ROM (DVD-5, DVD-9, DVD-10, DVD-18) DVD-R (Read, Ver 1, 3.9GB media only)
CD	CD-DA CD-ROM CD-I Bridge (Photo-CD, Video CD) Multi-session (Photo-CD, CD Extra, CD-RW, CD-R) CD-MINI CD-TEXT CD+(E)G CD-ROM-XA CD-I CD-R (Read) CD-RW (Read)

Storage Capacities

DVD	4.377GB (DVD-5) 7.959GB (DVD-9) 8.754GB (DVD-10) 15.917GB (DVD-18)
CD	656.5MB (mode 1) 748.8MB (mode 2)

Performance

Rotational Speed	
DVD-ROM	5,800rpm (4.1X – 10X)
DVD-R	1,100 – 2,800rpm (2X)
CD-ROM, CD-R	8,500rpm (17.2X - 40X)
CD-RW	4,300rpm (8.6X – 20X)
CD Audio /Video	1,200 - 2,000rpm (4X – 5.7X)

Data Transfer Rate

DVD (Single)	5,540 - 13,500 KBytes/s
CD (mode 1)	2,595 - 6,000 KBytes/s
CD-(mode 2)	2,959 - 6,843 KBytes/s

Burst (SCSI Interface)	
Sync	20 MByte/s
Async	5 MBytes/s
Random Access Time	
CD	85ms
DVD	105ms
Data Error Rate	
DVD	10 ⁻¹⁵ Max
CD	10 ⁻¹⁵ Max (Mode 1)
	10 ⁻¹² Max (Mode 2)
Spin-up Time	
DVD	1.5s Typ
CD	1.4s Typ
Data Buffer	128Kbytes
Reliability	
MTBF	100,000 hours
Power ON Hours	5,436 hours/year
ON/OFF Cycles	313 cycles/yea
Number of Access	600,000 accesses/year
Operating Duty Cycle	20% of Power ON time (Reading/Seeking)
MTTR	0.5 hours
Audio	
Number of Channels	2
Frequency Response	20Hz to 20,000 Hz
Distortion	-80 dB (at 1kHz JIS A-weighted)
Output Levels	
Headphone	0.72V (rms Typ)
Line Out	0.83V (rms Typ)
Environmental	
Ambient Temperature	
Operating	5° to 50° C (41° to 122° F)
Storage	-10° to 60° C (-14° to 140° F)
Shipping	-40° to 65° C (-40° to 149° F)
Temperature Gradient	
Operating	11° C/hour (max)
Storage/Shipping	20° C/hour (max)
Relative Humidity	
Operating	8% to 80%
Storage/Shipping	5% to 95% (wet bulb 27 C max)

Vibration	
Operating	no hard error: 10 to 500 Hz 2.45 m/s ² [0.25G] (O-P) (excludes resonance point)
Non-operating	no damage: 5 - 10Hz 5mm (P-P) 10 - 500Hz 9.8m/s ² [1G] (O-P)

Shock (Non-operating) 490 m/s² [50G] (Half sine wave 11ms)

Acoustical Noise <45dB

Power

DC Voltage and Current Requirements 5V 5%, 12V 5%

	<u>+5V</u>	<u>+5V</u>
Idle (Laser ON, Motor ON)	420mA (DVD) 410mA (CD)	90mA (DVD) 110mA (CD)
Continuous Read (Data/Audio)	610mA (DVD) 570mA (CD)	320mA (DVD) 630mA (CD)
Standby (Laser OFF, Motor OFF)	160mA (DVD/CD)	3mA (DVD)
Random Access (average)	560mA (DVD) 530mA (CD)	370mA (DVD) 680mA (CD)

Physical

Height	5.75" (146mm)
Width	1.6" (41.5mm)
Depth	7.6" (193mm)
Weight	2.18lbs (.95kg)

Connectors

DC input	AMP 1-480424-0 or equivalent
IDE Interface Connector	50 Pin SCSI (core type)
Analog Audio Line Output Connector	3 Pin Audio Connector

Lasers

CD Laser	
Type	Semiconductor Laser and 3-beam System
Wave Length	770 - 795 nm
DVD Laser	
Type	Semiconductor Laser and 1-beam System
Wave Length	650 nm

Regulatory

The SD-M1401 DVD-ROM drive has been certified by the following regulatory agencies:

- UL 1950
- CSA C22.2 No. 950
- TUV (EN60950I)
- CE standard
- CB
- DHHS 21 CFR Sub-Chapter J
- FCC Class B

DRIVE CONNECTORS –SD-M1401

Figure 1. SD-M1401 DVD-ROM Drive Rear Panel - Connectors



Power Connector Power is supplied to your DVD-ROM drive by the connection with your computer's +5V/+12V power cable to the power socket at the back of drive. One side of the plug has chamfered edges, so the power connector fits only one way



CAUTION: Severe damage to the Drive circuits may occur if power cable is plugged in upside-down with power ON

Audio Connectors Supplies Analog sound to your system

SCSI Connector The SD-M1401 DVD drive is connected to your computer system through the SCSI connector.

Table 1.Interface Pin Assignments

PIN NO.	SIGNAL NAME	PIN NO	SIGNAL NAME
1	GND	2	-DB0
3	GND	4	-DB1
5	GND	6	-DB2
7	GND	8	-DB3
9	GND	10	-DB4
11	GND	12	-DB5
13	GND	14	-DB6
15	GND	16	-DB7
17	GND	18	-DBP
19	GND	20	GND
21	GND	22	GND
23	GND	24	GND
25	NO CONNECTION	26	TERM POWER (+5v)
27	GND	28	GND
29	GND	30	GND
31	GND	32	-ATN
33	GND	34	GND
35	GND	36	-BSY
37	GND	38	-ACK
39	GND	40	-RST
41	GND	42	-MSG
43	GND	44	-SEL
45	GND	46	-C/D
47	GND	48	-REQ
49	GND	50	-I/O