

INSTALL INSTRUCTIONS S-DMM-XXX-CV-SO

1996-2008 CROWN VICTORIA

SWING-OUT DASH MONITOR MOUNT

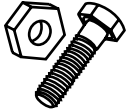
****Does not work on 2008 Police Package Crown Vic with optional CD player****

TOOLS REQUIRED:



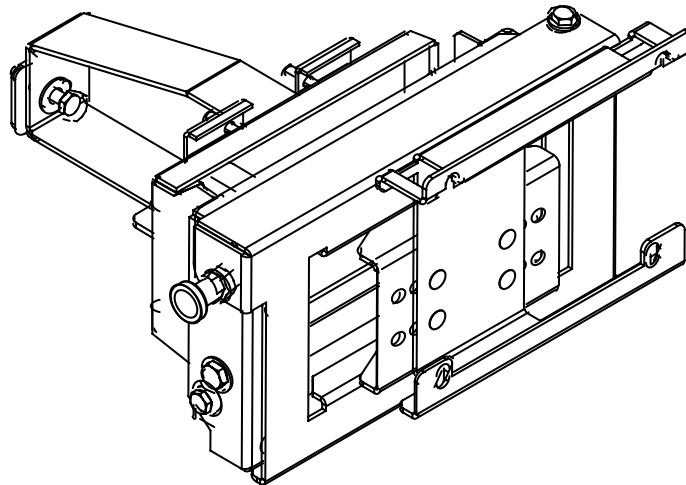
- Ratchet Wrenches
- Sockets - 7mm, 7/16", 9/16"
- Open End Wrenches - 7/16", 9/16"
- Phillips Screwdriver
- T-20 Torx Driver
- AM/FM (DIN) Removal Tool

HARDWARE:



| QTY: | DESCRIPTION: | PART #: |
|------|--------------------------------|---------------------------|
| 1 | 3/8"-16 x 1 Hex Bolt | GSM33028B |
| 2 | 3/8" Flat Washer | GSM31007B |
| 1 | 3/8" Nylock Nut | GSM30018B |
| 4 | 1/4-20 Hex Flange Serrated Nut | GSM30023 |
| 1 | 3/8" Self Adhesive Loom Clip | GSM20032 |
| 1 | 6" Wire Tie | GSM20034 |
| 1 | Monitor Adapter Hardware | Varies (monitor specific) |

LINE DRAWING:



This instruction shows installation of a Data-911 computer

Always!



- Read all instructions before installing any Havis-Shields Equipment Corp products.
- Check for obstructions (Wire, brake lines, fuel tank, etc.) before drilling any holes!
- Use hardware provided with install kit
- For product support: visit the Install Instructions Section of our website at <http://havis.com/Installation/Installation.html>, email technicalsupport@havis.com or call 1-800-524-9900.



Installation:



OEM Dash
Prior to installation.



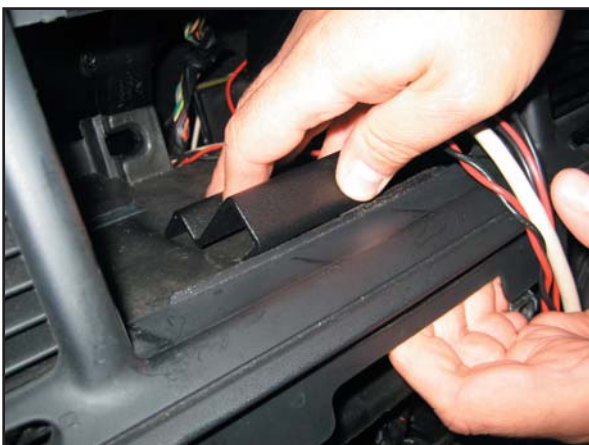
Remove AM/FM Radio, Center Dash Trim,
HVAC Controls. (7mm Socket & DIN Tool)



Remove 4 screws at lower end of the upper
dash panel. (7mm socket)



Remove mounting brackets from new dash
monitor mount assembly.



Pull out upper dash and tuck #2 bracket
behind dash panel.



Hole in #2 bracket will line up with large
hole in dash steel frame. Reattach upper dash
panel.



Attach #2 bracket to dash frame with 3/8" hex bolt, washers, and nut.



Tighten 3/8 bolt.
(9/16 socket and wrench)



Slip #1 bracket over plastic AM/FM radio support.



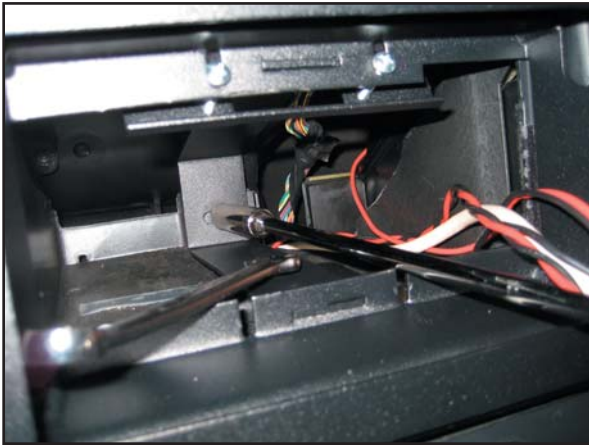
Reattach center dash trim and run computer wires.



Run computer wiring through notch (top passenger side) and place monitor mount into dash cavity.



Attach monitor mount to #1 and #2 brackets with 1/4" bolts provided.



Position assembly and tighten bolts.



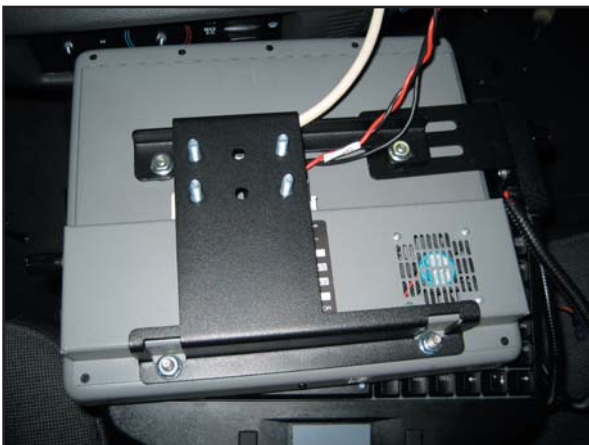
Attach top & bottom dash clamps (#3 bracket) with #8x1" phillips machine screws.



Dash mount installed. Check computer wiring length and find AM/FM wiring.



Attach computer wiring and monitor adaptor bracket.



Note: Some computers require wiring to be connected prior to attaching adaptor bracket.



Determine desired position of monitor.



Attach monitor bracket to dash mount with 1/4" nuts.



Position and wire tie wiring.



Wiring complete.



Connect AM/FM radio harness and antenna cable. Check radio operation. Snap radio into mount bracket.



Dash monitor mount and console installation complete.

