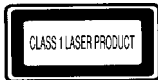


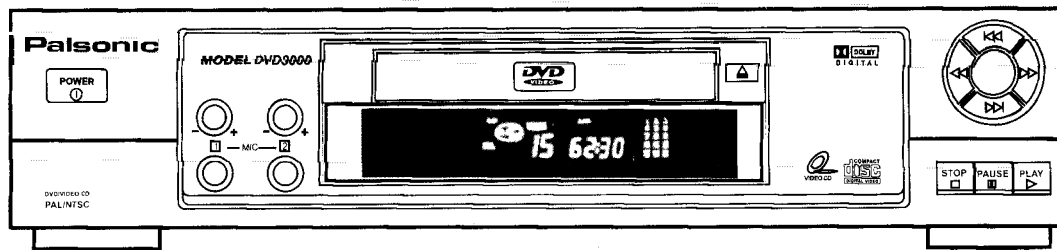
Palsonic

DIGITAL VIDEO DISC PLAYER
MODEL: DVD3000

DVD / VIDEO CD / AUDIO CD PLAYER
USER MANUAL



PALSONIC CUSTOMER SERVICE
TELEPHONE
AUSTRALIA: 1300 657 888



PALSONIC CORPORATION PTY LTD
1 JOYNTON AVE
WATERLOO NSW 2017 AUSTRALIA
TEL:(02)93137111
FAX:(02)93137555

● Catalogue

Important Safety information	2
Precautions	5
Features	6
Accessories	6
Basic operation	6
Remote control unit.....	7
Front panel and back panel	8
Front panel display.....	9
Basic connection	10
Optional audio connections	10
Remote control preparation	11
DVD play	11
Direct selection of scenes	13
Repeat play.....	13
Convenient functions	14
Initial settings	15
VCD play	17
KARAOKE play	19
MP3 and CD disc play.....	20
Troubleshooting.....	21

SAFETY PRECAUTIONS



THIS LIGHTING FLASH WITH ARROWHEAD SYMBOL, WITHIN AN EQUILATERAL TRIANGLE, IS INTENDED TO ALERT THE USER TO THE PRESENCE OF UNINSULATED "DANGEROUS VOLTAGE" WITHIN THE PRODUCT'S ENCLOSURE THAT MAY BE OF SUFFICIENT MAGNITUDE TO CONSTITUTE A RISK OF ELECTRIC SHOCK TO PERSONS..



THE EXCLAMATION POINT WITHIN AN EQUILATERAL TRIANGLE IS INTENDED TO ALERT THE USER TO THE PRESENCE OF IMPORTANT OPERATING AND MAINTENANCE (SERVICING) INSTRUCTIONS IN THE LITERATURE ACCOMPANYING THE APPLIANCE.

WARNING: TO REDUCE THE RISK OF FIRE OR ELECTRIC SHOCK, DO NOT EXPOSE THIS APPLIANCE TO RAIN OR MOISTURE. DANGEROUS HIGH VOLTAGE ARE PRESENT INSIDE THE ENCLOSURE. DO NOT OPEN THE CABINET REFER SERVICING TO QUALIFIED PERSONNEL ONLY.

CAUTION: TO PREVENT ELECTRIC SHOCK, MATCH WIDE BLADE OF PLUG TO WIDE SLOT, FULLY INSERT.

CAUTION: This Digital Video Player employs a Laser System.
To ensure proper use of this product, please read this user's manual carefully and retain for future reference. Should the unit require maintenance, contact an authorized service location-see service procedure.
Use of controls, adjustments or the performance of procedures other than those specified may result herein hazardous radiation exposure.
To prevent direct exposure to laser beam, do not try to open the enclosure.
Visible laser radiation when open and interlocks defeated.
DO NOT STARE IN BEAM.

WARNING: Change or modifications made to this equipment, not expressly approved by our company, or parties authorized by our company, could void the user's authority to operate the equipment.

Important Safety Instruction

CAUTION: PLEASE READ AND OBSERVE ALL WARNINGS AND INSTRUCTIONS GIVEN IN THE USER'S MANUAL AND THOSE MARRED ON THE UNIT. RETAIN THE BOOKLET FOR FUTURE REFERENCE.

This set has been designed and manufactured to assure personal safety. Improper use can result in electric shock or fire hazard. The safeguards incorporated in this unit will protect you if you observe the following procedures for installation, use and servicing. This unit is fully transistorized and does not contain any parts that can repaired by the user.

DO NOT REMOVE THE CABINET COVER, OR YOU MAY BE EXPOSED TO DANGEROUS VOLTAGE. REFER SERVICING TO QUILIFIED SERVICE PERSONNEL ONLY.

1. Reading user's manual

Please read the user's manual carefully and follow the instruction to operate the unit.

2. Power Source

This product should be operated only from the type of power source indicated on the marking label. If you are not sure of the type of power supply to your home, consult your product dealer or local power company.

3. Ventilation

Slots and openings in the cabinet are provided for ventilation and to ensure reliable operation of the product and these opening must not be blocked or covered. The openings should never be blocked by placing the product on a bed, sofa, rug or other similar surface. This product should not be placing in a built-in installation such as a bookcase or rack unless proper ventilation is provided or the manufacturer's have been adhered to.

4. Heat

The product should be situated away from heat sources such as radiators, heat registers, stoves, or other products (including amplifiers) that produce heat.

5. Water and Moisture

Do not use the product near water -for example, near a bath tub, wash bowl, kitchen sink, or laundry tub; in a wet basement; or near a swimming pool and the like.

6. Cleaning

Unplug this product from the wall outlet before cleaning. Do not use liquid cleaners or aerosol cleaners. Use a damp cloth for cleaning.

7. Power-Cord Protection

Power -supply cords should be routed so that they are not likely to be walked on or pinched by items placed upon or against them, paying particular attention to cords at plugs, convenience receptacles, and the point where they exit from the product.

8. Overloading

Do not overload wall outlets; extension cords, or integral convenience receptacles as this can result in a risk of fire or electric shock.

9. Lighting

For added protection for this product during storm, or when it is left unattended and unused for long periods of time, unplug it from the wall outlet. This will prevent damage to the product due to lightning and power-line surges.

10. Object and Liquid Entry

Never push objects of any kind into this product through opening as they may touch dangerous voltage points or short-out parts that could result in a fire or electric shock. Never spill liquid of any kind on the product.

11. Attachments

Do not use attachments not recommended by the product manufacturer as they may cause hazards.

12. Accessories

Do not use this product on an unstable cart, stand, tripod, bracket, or table. The product may fall, cause serious injury to a child or adult, and serious damage to the product. Use only with a cart, stand, tripod, bracket, or table recommended by the manufacturer's instructions, and should use a mounting accessory recommended by the manufacturer. A product and cart combination should be moved with care. Quick stops, excessive force, and uneven surface may cause the product and cart combination to overturn.

13. Disc Tray

Keep your fingers well clear of the disc tray as it is closing. It may cause serious personal injury ,

14. Burden

Do not place a heavy object on or step on the product. The object may fall, causing serious personal injury and serious damage to the product.

15. Disc

Do not use a cracked, deformed, or repaired disc. These discs are easily broken and may cause serious personal injury and product malfunction.

16 Damage Requiring Service.

Unplug this product from the wall outlet and refer servicing to qualified service personal under the following conditions:

- a) When the power-supply cord or plug is damage.
- b) If liquid has been spilled, or objects have fallen into the product.
- c) If the product does not operate normally by following the operating instructions. Adjust only those controls that are covered by the operating instructions as an improper adjustment of other controls may result in damage and will often require extensive work by a qualified technician to restore the product to its normal operation.
- d) If the product has been dropped or damage in any way .
- e) If the product has been exposed to rain or water .
- f) Water the product exhibits a distinct change in performance-this indicates a need for service.

17. Servicing

Do not attempt to service this product yourself as opening or removing covers may expose you to dangerous voltage or other hazards. Refer all servicing to qualified service personnel.

18. Replacement Parts

When replacement parts are required, be sure the service technician has used replacement parts specified by the manufacturer or have the same characteristics as the original part. Unauthorized substitutions may result in fire, electric shock, or other hazards.

1 Precautions

Please read this precautions before operating this player.

n **Power cord protection**

To avoid any malfunction of the unit, and to avoid electric shock, fire or personal injury, please observe the following.

- 1 Hold the plug firmly when connecting or disconnecting the AC power cord.
- 1 Keep the AC power cord away from heating appliances.
- 1 Never put any heavy object on the AC power cord.
- 1 Do not attempt to repair or reconstruct the AC power cord in any way.

■ **Placement**

Avoid placing the unit in areas of

- 1 Direct sunlight or heating radiators, or closed automobiles.
- 1 High temperature (over 35 °C) or high humidity (over 90%).
- 1 Much dust and without ventilation.

Or the internal parts may be seriously damaged.

n **Nonuse Periods**

When the unit is not being used, please switch it off.

When the unit is unused for a long time, it should be unplugged from the AC outlet.

n **No fingers or other objects inside**

- 1 Touching internal parts of this unit is dangerous and may cause serious damage to the unit. Do not try to disassemble the unit.
- 1 Do not put any other objects on the disc tray.

n **Keep away from water/magnet.**

- 1 Keep the unit away from flower vases, tubs, sinks, etc. If liquids are spilled into the unit, serious damage may occur.
- 1 Never bring a magnet or magnetized object near the unit.

n **Placing**

Place the unit in a horizontal position, and do not place anything heavy on it.

n **Condensation**

Moisture may form on the lens in the following conditions:

- 1 Short time after a heater has been turned on.
- 1 In a steamy or very humid room.
- 1 When the unit is suddenly moved from a cold environment to a warm one.

If moisture forms inside this unit, it may not operate properly.

In this case, turn on the power and wait about one hour for the moisture to evaporate.

n **When appear interfere in the TV if receiving broadcast**

According to the difference of TV's receiving condition, if receiving broadcast when turning on this unit, interfere may be appeared on the TV screen. This is not mean this unit or TV have malfunction. Please turn off the unit if you want to watch TV.

Dear customers:

Thank you for your purchasing of this DVD Player produced .

We strongly suggest you carefully read the Operating Instructions and take special note to the precautions listed below before enjoying it.

1 Features

■ DVD: a completely new dimension in video entertainment.

- 1 Subtitles may be displayed in one of a maximum of 32 languages *.
 - 1 The audio soundtrack can be heard in up to 8 languages *.
 - 1 The multi-angle function allows you to choose the viewing angle of scenes that were shot from a number of different angles. (Limited to DVD discs recorded with multiple camera angles.)
- *The number of the languages recorded is dependent on the disc.

n High quality digital audio

- 1 The DVD player include 5.1 channels (Dolby AC-3) stream output port which makes it possible to enjoy Dolby Digital Surround sound by adding an optional AC-3 decoder.
- 1 With the linear PCM sound of 48kHz/16bit-96kHz/24bit, audio quality exceeding that of audio CDs becomes possible.
- 1 Model DVD3000 player feature AC-3 5.lch audio output.

n Many convenient features

- 1 Direct access to favorite scenes (title/chapter/time)
 - 1 The player equipped with microphone jacks and echo level controls for enjoying KARAOKE.
 - 1 Chinese or English menu select optionally.
 - 1 Parental lock settings to prevent play of discs unsuitable for some audiences [Limited to some DVD discs]
- #### n Compatible with PAL DVD discs and NTSC DVD discs
- 1 This DVD player can play discs in either PAL or NTSC system for it has system transfer function.
- #### n This player can play SVCD, CVD, VCD and audio CD discs as well as DVD discs.

1 Accessories


- ① A remote control unit
- ② An audio/video connect cord
- ③ An user manual
- ④ A scart cord

1 Basic operation

1. Preparation

- A. Before playing DVD orVCD discs, please turn on the TV and select the correct video input.
- B. If you want to enjoy the sound through audio speaker system, please turn on the audio system and select the correct audio input.
- C. If there is no audio system to playback Dolby AC-3 digital sound, please press the key SETUP in the remote control unit to set the “audio output” to analogue status (through the key▲/▼/►/◄ in remote control unit). After setting up, press keys SETUP to exit.
(Analogue audio output is the default setting in the factory).

2. Simple playback

- A. Press the button POWER in the front panel and the power supply indicator will illuminate, the TV will display the initiate image.
- B. Press the button OPEN/CLOSE in front panel (or the key  in remote control unit) to open the disc tray .
- C. Place a disc onto the tray, position it with the printed title side facing up.
- D. Press the button PLAY in front panel [or the key, (confirm/play) in remote control unit]

1 Remote control unit

E. Enjoy the disc content....., you can press the remote key listed below to help enjoying freely:

- (1)press \parallel key (pause): to pause the playing, press \parallel key again, the player will work again.
- (2)press the key VOL(+),(-) in remote control unit will change the DVD audio output level.
- (3)ZOOM key: The image in TV display will zooming up from the center, press the key again, the zoom rate will be doubled, press it third time, the player will return to normal play. In zoom status, press remote \blacktriangle / \blacktriangledown / \blacktriangleright / \blacktriangleleft key will change the focus position.
- (4) $\blacktriangleright\blacktriangleright$ or $\blacktriangleleft\blacktriangleleft$ (fast forward or fast backward) key: allow you to scan the disc soon, press \blacktriangleright confirm/play) key, the player will return to normal play.
- (5) $\parallel\blacktriangleright$ key (slow play): slow down the display speed, press, (confirm/play) key, the player will return to normal play.
- (6) $\blacktriangleright\blacktriangleright$ or $\blacktriangleleft\blacktriangleleft$ (skip)key: select previous or next chapter/title

F. Press the button STOP in front panel or the \square (stop) key in remote control unit, the player will stop in current position, the display will show "PRESS PLAY TO CONTINUE". If you want to enjoy the playing after a while, press PLAY, otherwise, press STOP to end the playing.

G. Press the button OPEN/CLOSE in front panel or the \blacktriangle key (open/close) in remote control unit, the disc tray will be opened.

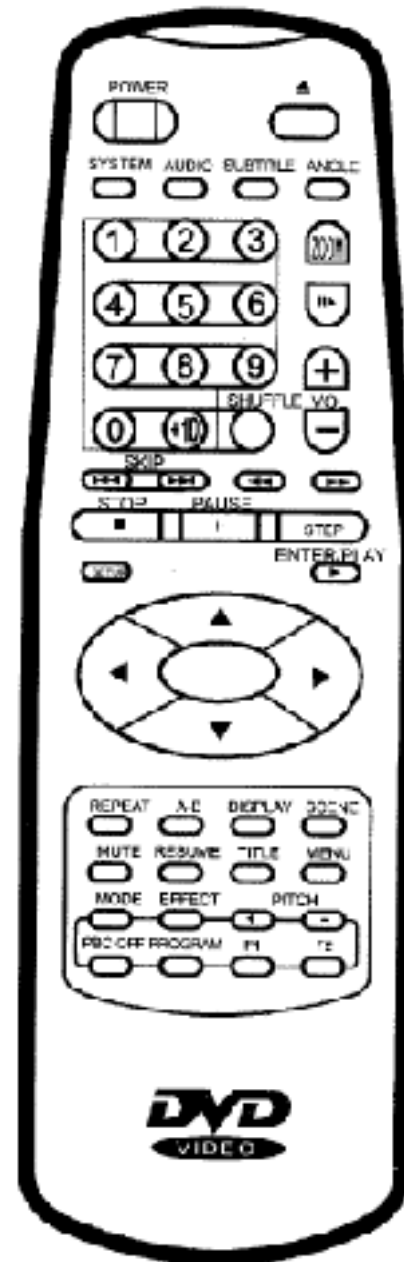
H. Take off the disc with care and press the OPEN/CLOSE button or the key (open /close) in remote control unit, the disc tray will be closed.

I. Press the button POWER in front panel, the power indicator in DVD player will switched off.

Notes

Due to the reason, the DVD player may function with a little differences. This is not the malfunction of the player.

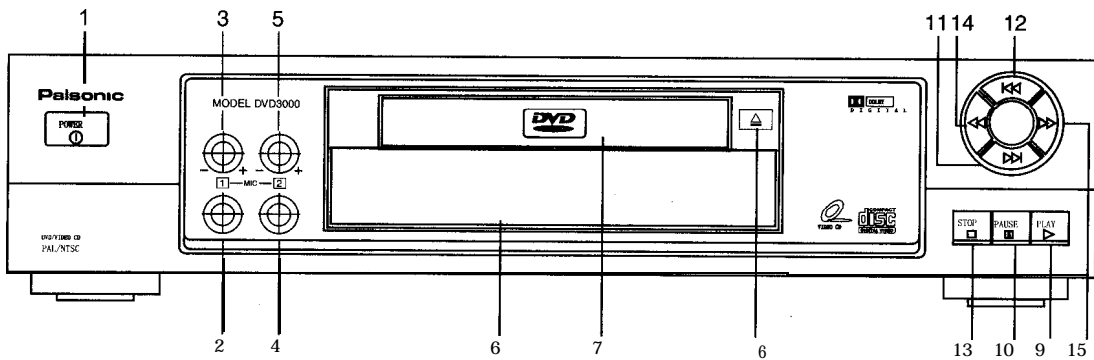
This instruction include the function explained of all remote key.



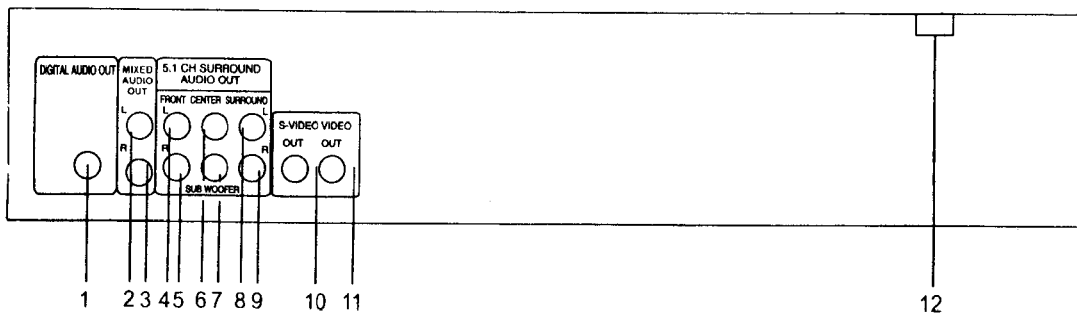
Note: shape of the remote control unit may be changed, this figure only for reference.

1 Front panel and back panel

DVD 3000

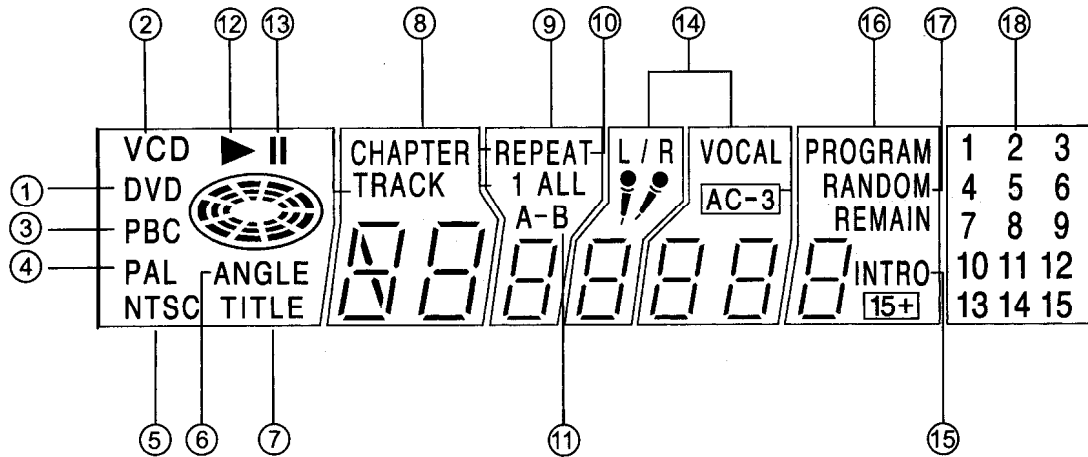


- | | |
|--------------------|-------------------|
| (1) POWER SWITCH | (9) PLAY |
| (2) MIC 1 JACK | (10) PAUSE |
| (3) MIC VOL LEVEL | (11) PREVIEW |
| (4) MIC 2 JACK | (12) NEXT |
| (5) MIC ECHO LEVEL | (13) STOP |
| (6) VFD | (14) FAST REVERSE |
| (7) DISC TRAY | (15) FAST FORWARD |
| (8) OPEN/CLOSE | |



- | | |
|--|---|
| (1) ELECTRICAL SPDIF OUTPUT | (7) Dolby 5.1 CH SUBWOOFER AUDIO UTPUT |
| (2) MIXED AUDIO(L) OUTPUT | (8) Dolby 5.1 CH SURROUND AUDIO(L) OUTPUT |
| (3) MIXED AUDIO(R) OUTPUT | (9) Dolby 5.1 CH SURROUND AUDIO(R) OUTPUT |
| (4) Dolby 5.1 CH FRONT AUDIO(L) OUTPUT | (10) S-VIDEO OUTPUT |
| (5) Dolby 5.1 CH FRONT AUDIO(R) OUTPUT | (11) VIDEO OUTPUT |
| (6) Dolby 5.1 CH CENTER AUDIO OUTPUT | (12) POWER CORD |

1 Front panel display



The figure above shows the front panel with the all displays on.

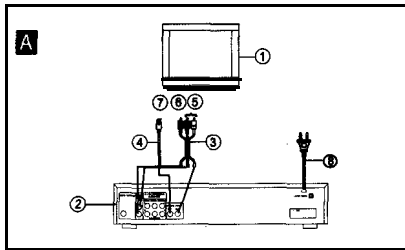
- (1) Illuminates when a DVD disc loaded
- (2) Illuminates when a VCD or CD disc loaded
- (3) Illuminates during a menu play
[limited only to VCD disc with playback control]
- (4) Indicates playback in PAL system
- (5) Indicates playback in NTSC system
*when both 4 and 5 illuminate, indicates playback in multi-system
- (6) Illuminates when viewing angle of scenes could be changed.
*[limited only to DVD disc with multi-angle function]
- (7) Indicates the title number
*[limited only to DVD]
- (8) Indicates the chapter number
*[limited only to DVD]
Indicates the track number
* [VCD/audio CD]
- (9) Title/Chapter/Track Repeat
- (10) Indicates the repeat of entire disc contents (Disc repeat)
- (11) Indicates the repeat of a section between two specific points (A-B repeat)
- (12) Illuminates during playback
- (13) II illuminates in the status of still image (pause)
- (14) Illuminates tracks or in KARAOKE mode
- (15) Browse [limited only to VCD]
- (16) Indicates programming [limited only to VCD]
- (17) Random playback [limited only to VCD]
- (18) Track number display [limited only to VCD]
*In the case of some DVD discs, the chapter numbers and elapsed playing time may not illuminate on the display. Also, the track numbers and elapsed playing time may not illuminate during video CD menu play.

1 Basic connection

- 1 Set the power switches on the player and equipment to be connected to OFF before connecting.
- 1 Read through the instruction for the equipment to be connected.
- 1 Be sure that the colors of the connectors and plugs match up when connecting the cord.

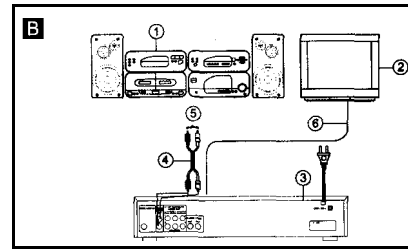
Connecting to a TV with stereo sound **A**

1. TV set (optional)
2. DVD player
3. Audio/Video cord (supplied)
4. S-video cord (optional)
5. To audio input connectors (red, white)
6. To video input connector (yellow)
7. To S-video input connector*
8. Power cord to power outlet (AC 110-240V, 50/60 Hz)



Connecting to an audio equipment **B**

1. Audio equipment (optional)
2. TV set (optional)
3. DVD player
4. Audio cord (optional)
5. To audio input connectors (red, white).
6. Video cord (optional)
7. S-video cord (optional)



(See **A** mentioned above)

Note:

- When the above connection is made, you must change “CNTR and REAR SPEAKER”, “SUBWOOFER” setting to “OFF”. (refer to page 21)

Notes:

- 1 During DVD playing, the TV volume may be at a lower level than during TV broadcast. If this is the case, adjust the volume to the desired level.

- If the DVD player is connected to the TV through a video cassette recorder, the picture may not be played back normally with some DVD discs. If this is the case, do not connect the player via the VCR.

*The S(separate) video output connector separates the chrominance (C) and luminance (Y) signals before transmitting them to the TV set in order to achieve a sharper picture.

Use the S-video cord (optional) when connecting the player to a TV set equipped with an S-video input connector for the best picture clarity possible.

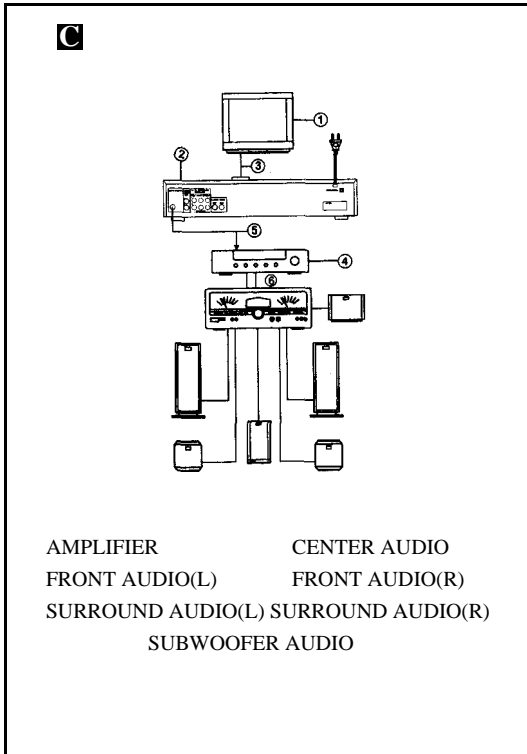
Caution for connection of digital audio output terminal:

On “DIGITAL AUDIO OUT” terminal, don’t connect amplify without Dolby AC-3 decoder. Otherwise, the attempt to play DVD discs may cause a high level of noise that it may be harmful to your ears and damage your speakers.

1 Optional audio connection

Connecting to an AC-3 amplifier or an AC-3 decoder **C**

1. TV set (optional)
 2. DVD player
 3. Audio/Video cord (supplied) S-video cord (optional)
 4. AC-3 decoder
 5. connect to RF input terminal of AC-3 decoder (optional)
 6. direct connect to 5.1ch amplifier .
- 1 With connecting to 5 or 6 (optional one), When DVD discs recorded in Dolby Digital Surround are played, you can enjoy theater-quality audio right in your home.



1 Remote control preparation

Battery installation:

Insert the batteries while observing the correct (+) and (-) polarities as illustrated below.

Service life of batteries:

1 The batteries depend on how often and for what operations the remote control unit is used.

1 If the remote control unit fails to work even when it is operated near the player, replace the batteries.

1 Use batteries size #7

Notes:

1 Do not use rechargeable (Ni-Cd) batteries.

1 Do not attempt to recharge or short-circuit the batteries.

1 Do not drop, step on or impact the remote control unit. Otherwise this may damage the parts or lead to malfunction.

1 Do not mix old and new batteries.

1 If the remote control unit is not going to be used for a long time, remove the batteries. Otherwise,

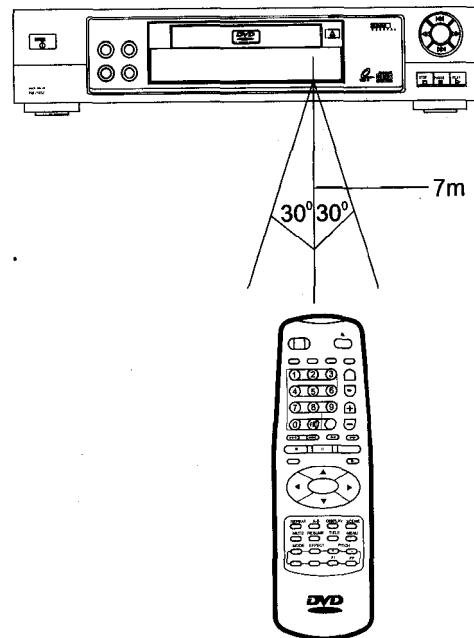
electrolyte may leak which may lead not only to malfunctioning but also to rust if contacting with the electrolyte.

1 Wipe away any electrolyte leaking inside the remote control unit, and install new batteries.

1 If any electrolyte should come into contact with parts of your skin, wash it off thoroughly with water.

Remote control unit operating range

Point the remote control unit no more than 7m from the remote control sensor and about 60° of the front of the unit.



Notes:

1 Do not point bright lights at the remote control signal sensor.

1 Do not place objects between the remote control unit and the remote control signal sensor.

1 Do not use this remote control unit while simultaneously operating the remote control unit of any other equipment.

1 DVD play

Preparation:

1 Switch on the TV set's power and select "AV" as

the TV input.

- Switch on the stereo system's power if the player has been connected to a stereo system.

Standby status:

- Press the power switch key in the remote control unit, the DVD player will enter into its standby status, press the key again, the player will work normally.
- As this key does not control the power supply switch, please turn off the power switch after enjoying the discs.

Basic play:

1. Press the power button (1) in the front panel to turn on the power supply, the TV screen will display the initial image.
2. Press OPEN/CLOSE button (or the ▲ open/close key in the remote control unit) to open the disc tray.
3. Place the disc onto the tray.

Holding the disc without touching either of its surfaces. Place the disc with the printed title side facing up, align it with the guides, and place it in its proper position.

4. Press the PLAY button [or the ► (confirm/play) key in the remote control unit]

- The disc tray is automatically closed and play commences if there is no menus recorded on the disc.
- If the disc has one or more titles recorded on it, a menu screen will appear on the TV monitor after a few minutes.

(1) Press ▲/▼/►/◄ key or number key to select the preferred title.

(2) Press ► (confirm/play) key to commence the playback of selected item.

After operation:

When the unit is not in use, remove the disc and press the power button to turn off the player. (to see chapter "Basic play" for more detail).

Title menu (limited to discs with title menu)

Press "title menu" key in the remote control unit, the playing will stop and the monitor will show a menu image.

Title selection: Some movie disc may have two or more titles. If the disc has a title menu recorded on it, you can press the "title menu" key to select the movie title (The details of operation differ depending on the disc used).

1. Press the "title menu" key during play, a list of the titles on the disc is now displayed. Press the "title menu" key again will resume play from the scene when the "title menu" key was first pressed.
2. Press ▲/▼/►/◄ key to select the preferred title.
3. Press the ► (confirm/play) key to commence the playing of the selected title.

Catalogue menu:

In PBC OFF status, press "catalogue menu", nine small pictures will be showed in the TV monitor step by step and you can select any one purposely.

Stopping play _n

Press the STOP button (or the _n stop key in the remote control unit).

Fast forward or Fast reverse

Press the FSW or REV button (or the ►► / ◄◄ key in the remote control unit).

- Press first time means playing in double speed (2X), press it again means playing in four speed (4X), press it third time means playing in six speed (6X), the fastest speed is eight speed (8X).
- Normal play is resumed when the ► key "(confirm/play)" is pressed.

Skipping ahead or back

- **Skipping ahead** Press the " HI " button (or the " ►► " key in the remote control unit) during play. A chapter is skipped forward each time the button is pressed.

- **Skipping back**

Press the " ◄◄ " button (or the " ◄◄ " key in the remote control unit) during play . A chapter is skipped backward each time the button is pressed.

*Note: During playing, the functions may differ depending on discs.

Pause

- Press the "PAUSE" button (or the " || " key in the remote control unit) during play.
- Normal play is resumed when the " ► " (confirm /play) key or the " || "key in the remote control unit is pressed.

Slow-motion play

- In the play status or still picture status, press the " ►► " key (slow-motion) in the remote control unit once means play in 1/2 speed, press it two times means play in 1/4 speed, press it three times means play in 1/8 speed. Press the key one more time will resume normal play.

*Note: There will no audio output in the status mentioned above.

VOL(+)(-)

Audio output control

- Press the "VOL(+)", "VOL(-)" to control the audio output level in 16 steps.

Frame advance STEP

During play, press the "STEP" (frame advance) key in the remote control unit each time, the disc will advance one frame. Press the " ► " (confirm /play) key will resume normal play.

● Direct selection of scenes

Selecting scenes

Example: Viewing Title "2".

1. Press "scenes selection" key in the remote control unit during play.
2. Press " ► " or " ◀ " to confirm the title position.
3. Press number key to select wanted title, for example "2".
4. Press the chapter number, for example "1".
5. Press " ► " key, play now commences from the selected title "2" chapter "1".

Selecting a double-digit number

For example: 10

Press "+10" and then "0".

If you want to select the scenes directly, please use the selection of scenes by using time code (time select):

1. Press "scenes select" key two times during play.
2. Press number key to specify the starting position.
3. Press the " ► " (confirm/play) key, play now commences from the selected time position.

If you want to begin from the time of 7'35" you can press direct select key "0", "7", "3", "5" accordingly.

Notes:

- These operation work only with discs for which the elapsed playing time appears on the front panel display during playback.
- For some discs, play may not start from the specified position even when the steps above have been performed correctly.
- Depending on the disc used, it may not be possible to perform these operations during DVD menu play.
- When "hand logo" appears while a key press is being operated, it means that the corresponding operation is prohibited by the player.
- The disc continues to rotate while the menu is displayed even after the player has finished playing a particular item.

When no further selections are to be played, be sure to press the STOP button to clear the menu display.

- If the disc is placed upside down (and it is a single sided disc), the DVD display will indicate "NO DISC" unless the disc is a double side disc.

● Repeat play

Repeat

Repeat viewing: Press "repeat" key during play.

Each time this key is pressed, the TV monitor changes as shown below and the disc will repeat a chapter or a title.

CHAPTER REPEAT ON	Repeat of chapter being played
TITLE REPEAT ON	Repeat of title being played
REPEAT OFF	Cancel repeat

To return to normal play

Press “repeat” key several times until “REPEAT OFF” displayed in the unit’s display.

Notes:

- Repeat play works only with discs for which the elapsed playing time appears on the unit’s display during playback.
- Repeat play may not work correctly for some discs.

A-B:

Repeating sections between two specific points (A-B repeat)

1. Press “A-B” key during play at the point where repeat play is to commence (A).
2. Press “A-B” again at the point where repeat play is to be concluded (B). Then repeat playback of the selection between points A and B starts.

To return to normal play, press “A-B” again (“A-B closed” appears on the TV monitor).

Note:

- A-B repeat play works only within a chapter.
- Repeat play works only with discs for which the elapsed playing time appears on the front panel display during playback.
- Some subtitles recorded around point A or B may fail to appear.

● Convenient functions

Audio soundtrack selected

It is possible to change the audio language from the one selected at the initial settings to a different language (if available). This operation works only with discs on which multiple audio soundtrack languages are recorded.)

1. Press “audio select” key during play.
2. Press “audio select” key several times until the wanted language appeared.

For your reference only:

- When the preferred language is not selected even after pressing the key several times, it means that language is not available on the disc.
- When the power is turned on or the disc is removed, the language heard is the one selected at the initial settings. If this language is not recorded on the disc, only the available language on the disc will be heard.

Sound muting:

Sound mute function

- Press “mute” key, the sound output will be inhibited, the display in the unit will display “MUTE”.
- Press “mute” key again, the sound output will be resumed.

Display:

Display the current status of DVD or VCD.

- Press “display” key, the current title number and chapter number will be displayed in the screen display.
- Press “display” key again, the current time elapsed will be displayed in front panel display.

Enjoying KARAOKE:

Preparation

1. Connect the microphone (optional) to the MIC jack.
2. Start playback Use “audio select” key to switch off the vocals for KARAOKE [only with DVD KARAOKE discs recorded in Dolby Digital (AC-3)]

3. Adjust the microphone volume.
4. Adjust the echo level (if necessary).

Note:

- If you hear strange noises (squealing or howling) while using the KARAOKE feature, move the microphone away from the speakers. Turning down the microphone volume or the speaker volume is also effective.
- Pull out the microphone after enjoying the KARAOKE.

Subtitle

1. Clearing/Displaying of subtitles: If a disc has subtitles recorded on it, they can either be cleared or displayed on the TV monitor. (This operation works only with discs on which the subtitle language is recorded). Press “subtitle” key until the subtitle cleared.

2. Changing subtitle language: It is possible to change the subtitle language from the one selected at the initial settings to a different language (if available).

(This operation works only with discs on which the subtitle language is recorded.)

(1) Press “subtitle” key during play.

(2) Press “subtitle” key until the wanted subtitle language appeared.

Note:

- In some cases, the subtitle language is not changed immediately to the selected one.
- When the preferred language is not selected even after pressing the key several times, it means that the language is not available on the disc.
- When the power is turned on or the disc is removed, subtitles appear in the language selected at the initial settings. If this language is not recorded on the disc, they appear in the disc’s priority language.

Select viewing angle

Viewing from another angle: Some DVD discs may contain scenes which have been shot simultaneously from a number of different angles. For these discs, the same scene can be viewed from each of these different angles using the “angle” key.) The recorded angles differ depending on the discs used.)

1. Press “angle” key during play

2. Press “angle” key several times until the preferred angle is selected.

Note:

- This function will only work on discs where different angles have been recorded. (The “angle” is shown on the front panel display.)

System selected

The system of PAL or NTSC can be selected freely.

● Initial settings

Main Page

```
SET UP MENU----- MAIN PAGE

>GENERAL<
>SPEAKER SET UP<
>DOLBY DIGITAL SET UP<
>PREFERENCES<
EXIT SET UP
```

General page

GENERAL PAGE	
TV DISPLAY	NORMAL/PS* NORMAL/LB WIDE
TV TYPE	MULTI* NTSC PAL
ANGLE MARK	ON* OFF
OSD LANG	ENGLISH CHINESE*
AUDIO OUTPUT	ANALOG* SPDIF/RAW SPDIF/PCM
CAPTIONS	ON OFF*
SCREEN SAVER	ON OFF

Speaker Set up page

SPEARER SET UP PAGE	
FRONT	LT/RT STEREO VSS
CENTR SPEARER	ON OFF*
REAR SPEARER	ON OFF*
SUBWOOFER	ON OFF*
CENTRDELAY	
REAR DELAY	
TEST TONE	ON OFF*
BASS SETTING	CONFIG 1* CONFIG 2

Dolby Digital Settings

DOLBY DIGITAL SETTINGS	
OPERATIONAL	LINE OUTPUT* RF REMOD
DUAL MONO	STEREO* LEFT MONO RIGHT MONO MIXED MONO
DYNAMIC RNG	

Preference Page

PREFERENCE PAGE	
AUDIO	ENGLISH* FRENCH SPANISH CHINESE JAPANESE
SUBTITLE	ENGLISH* FRENCH SPANISH CHINESE JAPANESE OFF
DISC MENU	ENGLISH* CHINESE FRENCH SPANISH JAPANESE
COUNTRY	CHINA FRENCH HONG KONG JAPAN TAIWAN GBR USA*
PARENTAL	1. KID SAFE 2. G 3. PG 4. PG13 5. 6. PG-R 7. NC-17 8. ADULT*
PASSWORD DEFAULT	CHANGE RESET

Note:

- (1) When connecting 5. lch, center speaker, rear speaker and subwoofer speaker is in on status.
- (2) For changeable of software, there may appear some menu display different from exact function above, but it is not affect function of the player.

SET UP

1. Press "SET UP" in the STOP mode. The TV monitor may display an image such as the main page shown above. The image may differ depending on the software versions adopted.
2. Press "▲"/"▼" key to select the item shown in the main setting page. When the item is decided, press "▶" and "◀" key to select the function.
3. Press the "▶" (confirm/play) key to confirm the selected unction, then press "◀" key.
4. Press "SETUP" key when ending the set up.

Note:

1. The main functions of every item are listed in the tables for your reference.
2. We suggest that the user should not enter the setting procedure soon unless the user get quite familiar with the player because the general function could be selected through the remote control unit and the wrong setting may cause unwanted output fail for audio or video signal.
3. The Password is 3308

*Default selection in the factory.

Whenever the setting is finished, the player will enter into the same status while powering up (especially for DVD). The settings will be remembered in the memory even the player is switched off unless you change the setting purposely.

Note: Texts on menu may be different for the version changed, we will not inform in addition.

1 VCD play

Confirm/play

A: Switch on the "POWER" button in the front panel of the unit.

The initiating image will be displayed on the TV monitor and the self-test procedure for the player will be going on. If there is no disc in the player disc tray, "no disc" will be displayed in the front panel display.

B: Place a disc onto the tray.

Press the "OPEN/CLOSE" button to open the tray, place the disc onto its position, then press the "OPEN/CLOSE" button again to close the tray.

C: Press the "▶" (confirm/play) key to commence the play. Another initiating image will be displayed in the TV monitor after a while.

D: Press the "PAUSE" button to stop the play temporarily, press the key again to resume the play.

E: Press the "STOP" key to stop playing.

While playing the version 1.1 disc, pressing "STOP" key means stop the play.

While playing the version 2.0 disc, pressing "STOP" key has two meaning:

1. Return to high level menu in PBC ON status
2. Stop play in PBC OFF status.

Slow-motion play ||▶

Press the "SLOW-MOTION" key to enter the slow-motion status, press the key step in step, the player enter into the "slow-motion 1", "slow-motion 2", "slow-motion 3" status respectively, press "PLAY" key to resume normal play during the slow-motion playing.

Fast forward (Fast reverse) ▶▶ or ◀◀

Press "▶▶" or "◀◀" key during playing, the play will advance or reverse at fast speed, press 'PLAY' key to resume normal play whenever the wanted contents appear on the TV monitor. Press "▶▶" or "◀◀" key during playing, the image will advance or reverse at the speed in between of 2", 4", 6", 8" press the "PLAY" will resume normal play.

Note: the speed change mentioned above is approximate.

Mode

Press "MODE" key to select play with left sound track, right sound track or stereo sound and so on. This mode satisfies to realize bilingual function.

Catalogue menu

- This function is effective only in STOP status
- Press the "MENU" key, then press the number key according to the needed function. There are four possible selections: 1.Browse. 2. Total disc. 3.Single program. 4.Exit
- When the Browse function is selected, the monitor will show a full screen image lasted for five seconds for every title in turn, if you press number key or "PLAY" key, the normal play will be resumed.
- When the Total disc function is selected, if there are two or more titles in the disc, the player will display a small picture lasted for five seconds in turn for every title, there will be nine small picture at the most, if the total title number is more than 9, you can press "▶▶", then the small picture display will be continued from the tenth title.
- When the Single program function is selected, the player will display the title selected in a form of nine small pictures. Press "▶▶" or "◀◀" key will enter into next title or return to last title. Press "▶" key will resume the normal play.
- When the Exit function is selected, the player return to its initiating status.

Selecting by number

- Press the direct select key "1-9" and "+10" to select the program number you wanted (for example, if you want select the eighth program, you need only to press the number "8" the number 8 will be illuminated in the front panel display).

When the number you wanted is bigger than 10, you can select it in the way listed below:

- If you want select program 16, press "+10" key once then press "6" key.
- If you want select program 21, press "+10" key two times then press " 1" key.

Skip " ▶▶ " or " ◀◀ "

- PBC OFF status.
- Press the " ◀◀ " key during play, return to the higher level menu or the last chapter.
- Press the " ▶▶ " key during play. enter to the lower level menu or the next chapter.

PBC function

Press PBC key to control the play mode with different disc versions.

- With version 2.0 VCD discs, when the numbers to be selected appear on the monitor screen, the play will pause automatically in accordance with the control command to wait for user's select through the number key in remote control unit. In PBC OFF status, the function mentioned above fails to work, the player consider the version 2.0 disc as version 1.1 and enter into STOP status. There is no such control functions for version 1.1 disc, so the PBC function does not work and the play will go on automatically.
- Because most users need only to enjoy the discs simply, We suggest to play the unit in PBC OFF status to let the player work sequentially.

Repeat

- PBC OFF status
- Press "repeat" key during play to repeat play the title being played
- Press "repeat" key again to repeat play the whole disc being played
- Press "repeat" key once more, cancel repeat and resume normal play.

A-B

Repeat sections between two specific points (A-B repeat)

- Press "A-B" key during play at the point where repeat play is to commence (A).
- Press "A-B" again at the point where repeat play is to be concluded (B).
- Repeat play of the selection between points A and B starts.
- Press "A-B" key again to cancel the repeat function.

Program

Programming play

- PBC OFF status.
- Press "PROGRAM" key in the stop mode, the "Programming" will be displayed in the screen.
- Continuously press the number key to select the program you wanted.
- If you want to see Program 2,6,8,12,16 you only need to press 2,6,8,+10,2,+10,6 Continuously
- Press "▶"(confirm/play) key to commence the play in the order you select.
- The text "program" and the title you selected will illuminate in the front panel display.

Display

● Press "display" key , the current time elapsed and time remained will be displayed in front panel display.

Step play

- See page 18

Sound muting

Sound mute function

- Press "mute" key, the sound output will be inhibited, the TV screen will display "MUTE".
- Press "mute" key again, the sound output will be resumed.

Effect

Surround sound

- Press the "EFFECT" key, the audio output will have surround effect in three levels.
- When the mouse of the small figure displayed in the screen is closed, the surround effect is canceled.

Broken point resumming (resume play)

- When you press "STOP" key during playing VCD disc version 1.1 or VCD disc version 2.0 (PBC OFF status) to pause the play for a while, you can press "resume play" to continue the play at the very point where you broke play.
- This function may fail for some KARAOKA disc or MTV disc.
- There will be a little difference in the resume time for some discs.

Shuffle (random)

- PBC OFF status.
- Play VCD Randomly.
- In STOP status, press "SHUFFLE" key and "(" key will commence random play.
- In STOP status, press "SHUFFLE" key again will resume normal play.

1 KARAOKE play

KARAOKE

Using this unit, you can also enjoy VCD KARAOKE function.

- Turn the MIC VOL LEVEL to the minimum, then connect the microphones to the MIC1 and MIC2 jacks.
- Select left sound track or right sound track through MODE key.
- Turn the MIC VOL LEVEL to control the volume. Turn the ECHO LEVEL to control the mix effect and the depth.
- Select the song using the number key in remote control unit and the play will commence.
- If you want to cancel the vocal, press "MODE" key, and switch off the vocals for KARAOKE
- Press "STOP" key to stop KARAOKE.
- Pull out the microphone if you do not need it and turn the MIC VOL LEVEL to minimum.

Tone (+)(-)

Control the effect of audio tone

Press Tone (-) key once, the tone decrease one step.

Press Tone (+) key once, the tone increase one step.

VOL(+)(-):

Audio output control

- Press the "VOL(+)", "VOL(-)" to control the audio output level in 16 steps.

Note:

If you hear strange noises (squealing or howling)

----Move the microphone away from the speakers.

----Turning down the TV volume or Audio amplifier volume.

----Turning down the microphone volume or echo volume.

● **MP3 and CD disc play**

A: Switch on the "POWER" button in the front panel of the unit.

The initiating image will be displayed on the TV monitor.

The self-test procedure for the player will be going on. If there is no disc in the player disc tray, "no disc" will be displayed in the front panel display.

B: Place a MP3/CD disc onto the tray.

Press the "OPEN/CLOSE" button to open the tray, place the disc onto its position, then press the "OPEN/CLOSE" button again to close the tray.

C: When MP3/CD displayed on the TV monitor, press the "▶"(play) key to play the MP3/CD disc.

D: Press the "▶▶" or "◀◀" to choose the song, then press the "PLAY" button to play (only the MP3 disc).

E: Press the "STOP" key to stop the play temporarily, press the key again to resume the play.

F: Press the "STOP" key to stop playing.

G: Press the "PROGRAM" key into the preview menu.

Skip "◀◀" or "▶▶"

- During play the disc.
- Press the "◀◀" key to play the preview song.
- Press the "▶▶" key to play the next song.

Sound Mute Function

- Press "MUTE" key the sound output will be inhibited, the TV screen will display "MUTE".
- Press "MUTE" key again, the sound output will be resumed.

Selecting by Number

- 1 Press the direct select key "1"- "9" and "+10" to select the program number you wanted (for example, if you want select the eighth program, you need only to press the number "8", the number 8 will be illuminated in the front panel display).

When the number you wanted is bigger than 10, you can select it in the way listed below:

- 1 If you want select program 16, press "+10" key once then press "6" key.
- 1 If you want select program 21, press "+10" key twice then press "1" key.

Repeat

The disc is playing status

Press "REPEAT" key to repeat the song being played.

Press "REPEAT" key again to repeat the all songs.

Press "REPEAT" key once more, cancel repeat and resume normal play.

Shuffle

In STOP status, press "SHUFFLE" key and "▶" key will commence random play.

In STOP status, press "SHUFFLE" key again will resume normal play.

VOL(+)(-)

Audio output control

- Press the "VOL(+)", "VOL(-)" key to control the audio output level in 16 steps.

Note: some discs can not playback normally because of their quality.

• Troubleshooting

Before requesting service for this unit, check the chart below for a possible cause of the problem you are experiencing.

Some simple checks or a minor adjustment on your part may eliminate the problem and restore proper operation.

Symptom(Common)	Remedy
<ul style="list-style-type: none"> No power 	<ul style="list-style-type: none"> Insert the power plug securely into the power outlet.
<ul style="list-style-type: none"> Play fails to start even when "▶" (confirm /play) is pressed. Play commences but then stops immediately. 	<ul style="list-style-type: none"> Condensation has formed: wait about 1 or 2 hours to allow the player to dry out. This player cannot play discs other than DVDs, VCDs and audio CDs. The disc may be dirty and require cleaning. Ensure that the disc is installed with the label side up.
<ul style="list-style-type: none"> No picture. 	<ul style="list-style-type: none"> Ensure that the equipment is connected properly. Ensure that the TV input setting is "AV"
<ul style="list-style-type: none"> No sound. Distorted sound. 	<ul style="list-style-type: none"> Ensure that the equipment is connected properly. Ensure that the input setting for the TV and stereo system are proper. No sound is heard during still (pause) or picture slow-motion play.
<ul style="list-style-type: none"> Picture is distorted during rapid advance or rapid reverse. 	<ul style="list-style-type: none"> The picture will be somewhat distorted at times: this is normal.
<ul style="list-style-type: none"> No fast forward (or fast reverse) play. 	<ul style="list-style-type: none"> Some discs may have sections which prohibit fast forward (or fast reverse).
<ul style="list-style-type: none"> No 4:3 (16: 9) picture. 	<ul style="list-style-type: none"> Choose the correct setup "TV SCREEN" item which matches the TV set used.
<ul style="list-style-type: none"> No operations can be performed with the remote control. 	<ul style="list-style-type: none"> Check the batteries are installed with the correct polarities(+) or (-) The batteries are depleted: replace them with new ones. Point the remote control unit at the remote control sensor and operate. Operate the remote control unit at a distance of not more than 7 meters from the remote control sensor. Remove the obstacles between the remote control unit and remote control sensor.
<ul style="list-style-type: none"> No key operation (by the unit and/ or the remote control) is effective. 	<ul style="list-style-type: none"> Turn the unit off and then back to on. Alternatively, turn off the unit, disconnect the AC power cord and then re-connect it. (The player may not be operating properly due to lighting, static electricity or some other external factor.)

Symptom[DVD]	Remedy
Audio soundtrack and/or subtitle language is not the one selected at the initial settings	If the audio soundtrack and/or subtitle language does not exist on the disc,the language selected at the settings will not be seen/heard.
Some function fails to operate while pressing the corresponding keys.	Due to the reason of discs, the DVD player may function with a little differences. This may not be regarded as the malfunction of the player.

General Specifications

POWER SUPPLY	AC 110-240V, 50/60Hz
POWER CONSUMPTION:	30W
TV SYSTEM:	PAL/NTSC
WEIGHT:	4.5Kg
DIMENSIONS(WxDxH):	430mm x 300mm x 92mm (except jut)

ENVIRNMENTAL SECTION

TEMPERATURE:	+5~+35 ⁰ C
HUMIDITY:	5~80% (condition of no jew)

Discs playback:

- (1) DVD
- (2) SUPER VCD
- (3) VCD AND AUDIO CD

S-VIDEO output

Y output:	1.0Vp-p(75 ohms)
C output:	0.286Vp-p(75 ohms)
VIDEO output:	1.0Vp-p(75 ohms)
Horizontal definition	≥ 500 (TV line)

AUDIO SECTION

AUDIO output :	1.8V
Frequency Response:	20Hz-20Khz ± 3dB
S/N Ratio:	≥ 90dB
Dynamic Range:	≥ 80dB

This product manufactured under license from Dolby Laboratories. “Dolby” “Prologic” and the “double-D” symbol are trademarks of Dolby Laboratories. Confidential 1992-1997 Dolby Laboratories. Inc. All right reserved.