

**HELIOS H4000**  
**HD Upscaling DVD Player**

**User's Manual**

**HELIOS**  
Digital Revolution. Your Way.

# General Introduction

Thank you for purchasing your new Helios H4000 HD Upscaling DVD player. The H4000 is integrated with the latest cutting edge video technology. The main feature of the player is to upscale standard DVD titles and MPEG4 files to high definition resolution. In addition, the H4000 offers a large selection of High Definition video modes and connection options.

The player supports the following video modes and connection outputs:

## **Component Video output:**

480i / 480p / 576i / 720p / 1080i / 1080p

## **HDMI video output**

480i / 480p / 576i / 720p / 1080i / 1080p

## **VGA/RGB-HV Output:**

VGA (640 X 480) / SVGA (800 X 600) / XGA (1024 X 768) / SXGA (1280 X 1024) / 720P / 1080i

## **How will I benefit from the H4000's high definition video output?**

If you own a HDTV (or any other high definition display device), you will only be able to play standard DVD titles to as high as 480p (NTSC progressive scan) or 576p (PAL progressive scan) resolution video input. However, your HDTV actually has the capacity to show images much greater than 480p or 576p. Therefore, you are not getting the most out of your HDTV's resolution.

The H4000 upscaling DVD player allows you to upscale standard DVD titles as well as MPEG4 files to as high as 1080p resolution. With its range of resolution options, you are able to select from a large number of resolutions in order to that right match with your HDTV's native resolution. The result is a noticeably sharper and clearer image on the screen.

# Table of Contents

## General:

Safety Precautions	2
Player Features	4
Package Contents	4
Supported Disc Formats	5
Regional Code Distribution	6
DVD Disc Logos	6
Disc Usage and Maintenance	7

## Using the Player:

Display Panel	8
Remote Control	9
Front Panel Overview	10
Rear Panel Overview	10
System Connections	11
Playing Discs	17
Using OSD Guide Menu	18
Player Menu System	24

## Getting Help:

Troubleshooting	31
Product Specifications	32

# Safety Precautions

## 1) Symbols



An exclamation point within a triangle is an alert for important instructions on the use of the player.



To avoid the risk of electric shock, DO NOT open the cover of the player.



A lightning flash and arrowhead within a triangle is a warning sign alerting you of dangerous voltage inside the player.

### **CAUTION:**

To reduce the risk of fire, electrical shock or damage to the player, do not expose this device to moisture and do not place water filled objects close to or on top of it.

## 2) Usage Notice

- a. Before plugging in this device, make sure your power supply voltage matches the product. The working voltage of this player is marked on the rear panel.
- b. To avoid damage to the audio system, switch the volume of connected devices such as speakers or amplifiers to minimum before turning the player on/off.
- c. Unplug the player when unused for long periods.
- d. Do not unplug by pulling on the power cable.
- e. Do not place heavy objects on top of the player.
- f. Do not put fingers or other objects into the player.

### **3)Maintenance Notice**

- a. Do not expose the player to excessive heat, direct sunlight, dust, moisture, vibration, shock, moisture, liquids, speakers or magnetic objects.
- b. Trouble with getting the player to work may arise due to condensation on the lens when moved from a warm to cold environment. To resolve this, turn on the player to warm it up, and then play a disc 1-2 hours after. (Do not leave a disc inside the player while it is warming up)
- c. Clean the surface of the player with neutral detergent instead of organic substances such as alcohol or gasoline. Do not burnish with sand paper.

### **4)Caution**

- a. To avoid the possibility of fire, electric shock or damage to player, do not expose this device to liquids or moisture.
- b. This player employs a laser system. To prevent direct exposure to laser beam, do not open the cover. Visible laser beams when uncovered. DO NOT stare into beam.



### **5)Reminders**

- a. To ensure proper use of this player, please read the user manual carefully and store for future reference.
- b. Should this player require maintenance, contact the dealer, an authorized service center or an experienced radio/TV technician.
- c. All pictures in the instructions are for reference only. Specific contents are subject to actual display version

# Main Features

- Supports 720p / 1080i / 1080p (via component and HDMI)
- Supports SVGA / XGA / SXGA / 720P / 1080i (via VGA/RGB-HV output)
- Supports MPEG4 file format (within avi files)
- Video outputs include composite video output, S-Video, component, HDMI and VGA/RGB-HV
- Audio outputs include optical, coaxial, mixed stereo and 5.1 channel audio outputs
- Upscales standard DVDs to high definition resolution
- Supports PAL (50hz) and NTSC (60hz) 720p / 1080i / 1080p video modes
- Supports DVD, Audio CD, VCD, SVCD, HDCD and MP3 playback
- Supports firmware upgrade

# Package Contents

HD DVD player		x 1
Remote control		x 1
Batteries		x 2
AV connection cable		x 1
HDMI connection cable		x 1
Power cord		x 1
User manual		x 1

# Supported Disc Formats

Types of Discs	Diameter	Playback Time	Data Format	Remarks
DVD	12 cm	1 layer:120 min	DVD Format Disc:	/
		2 layers:240 min	Compressed Digital Audio	
	8 cm	1 layer:80 min	Compressed Digital Video	
		2 layers:160 min	(Moving Picture)	
SVCD	12 cm	45 min	MPEG2 Compressed Digital Audio Compressed Digital Video (Moving Picture)	Includes SVCD, CVD
VCD	12 cm	74 min	MPEG1	Includes VCD2.0, VCD1.1, VCD1.0, DVCD
	8 cm	20 min	Compress Digital Audio Compress Digital Video (Moving Picture)	
CD	12 cm	74 min	CD-DA: Digital Audio	/
	8 cm	20 min		
HD-CD	12 cm	74 min	HD-CD: Digital Audio	/
MP3	12 cm	600 min	Compressed Digital Audio	/
JPEG	12 cm		Compressed Picture	/

# DVD Region Codes

Region Code	Region
1	USA, Canada
2	Japan, Europe, South Africa, Middle East, Greenland
3	South Korea, Taiwan, Hong Kong, Parts of South East Asia
4	Australia, New Zealand, Latin America (including Mexico)
5	Eastern Europe, Russia, India, Africa
6	China

The H4000 can play DVD titles from all regions listed on the table above.

## DVD Logos



Region code and video output system



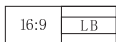
5.1-channel



Dolby Digital



Closed caption



Display Mode  
16:9 or Letterbox format



2-channel Stereo



Soundtrack Number



Restricted Level



Subtitle Number

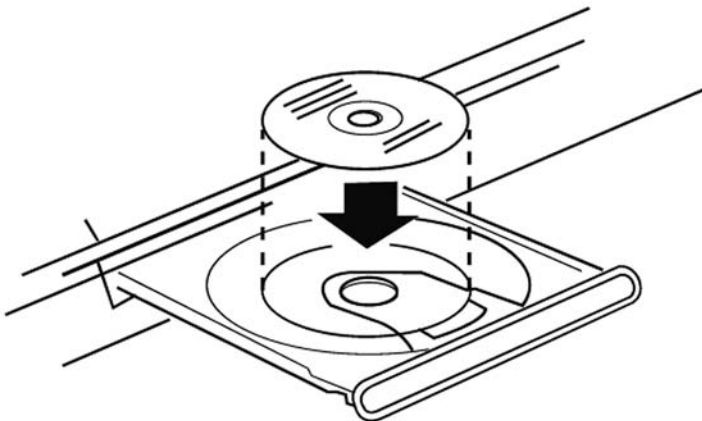


Limited Level

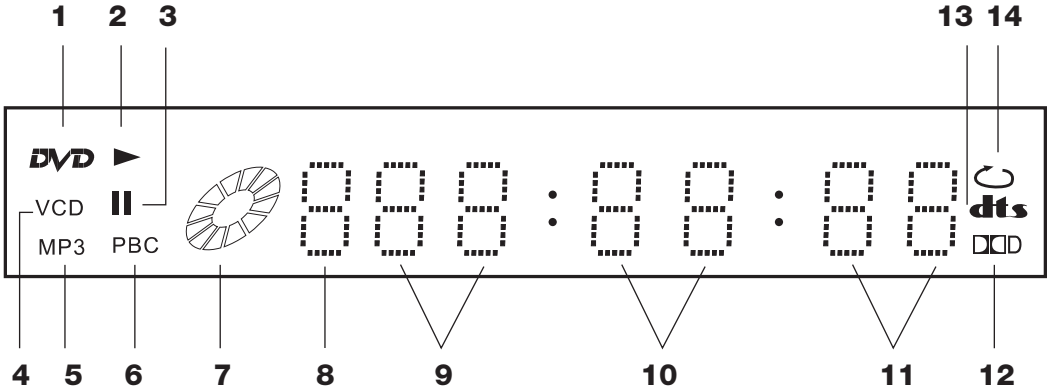


# Proper Use and Handling of Discs

- Do not touch the signal (reflective) surfaces. Hold discs by the edges, or by one edge and the center hole.
- Do not affix labels or adhesive tapes to the disc surface – this will unbalance the disc.
- Do not scratch or damage the label – this will make the disc unreadable.
- Discs run at high speeds inside the player. Do not use damaged (scratched or warped) discs.
- Dirty discs can cause player malfunctions. Always keep discs clean by gently wiping the surface with a soft clean cloth (moving from the inner to the outer perimeter)
- If a disc is dirty, wet a soft cloth in water, wring out the cloth thoroughly, wipe the dirt away gently, and then remove any water drops from the disc with a soft dry cloth.
- Do not use record-cleaning sprays or anesthetic agents on discs. Never clean discs using benzene, thinner or other volatile solvents which may cause damage to disc surfaces.
- To avoid warping discs, store discs in their original cases. Do not leave discs under high temperature and humidity.



# Display Panel

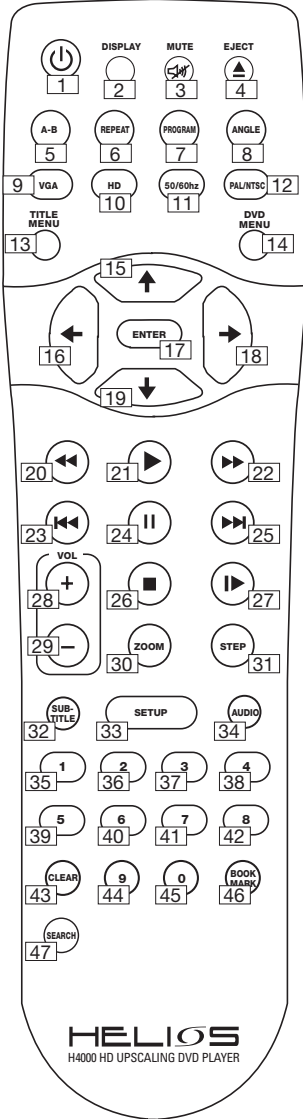


1. Disc type(DVD)
2. Play mode
3. Pause mode
4. Disc type(VCD)
5. Disc type(MP3)

6. PBC (VCD PBC)
7. Disc running display
8. Chapter/Track number
9. Hours
10. Minutes

11. Seconds
12. Dolby Digital
13. DTS logo
14. Repeat all

# Remote Control Overview

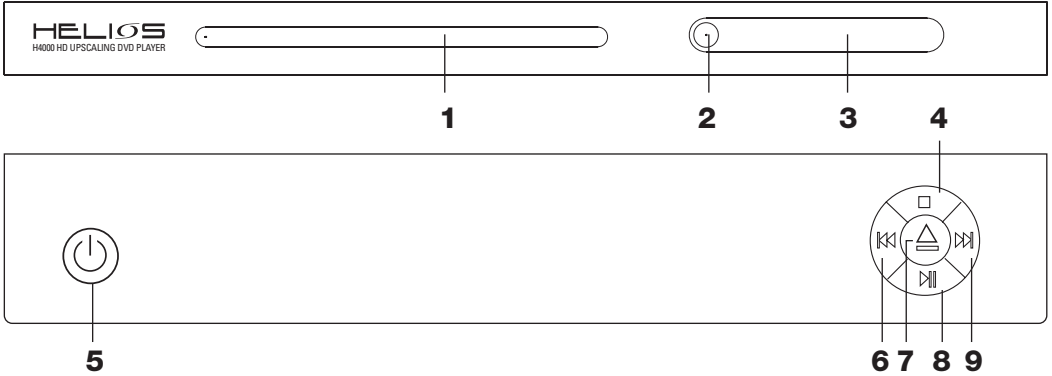


1. Power on/off
2. Display: show or hide OSD menu
3. Mute: press once to mute, twice to undo mute
4. Eject: open or close disc tray
5. AB Repeat
6. Repeat: repeat chapters or titles
7. Program: Open the programmable play list
8. Angle: switch play angles
9. VGA mode: switch between VGA / SVGA / XGA / SXGA
10. HD video mode: switch between 480p / 576p / 720p / 1080i / 1080p
11. 50/60hz.: press to switch between 50hz and 60hz. Only applicable for 720p / 1080i / 1080p HD modes
12. PAL/NTSC: switch between normal PAL/NTSC video modes
13. Title: jump to main title page of DVD title
14. Menu: jump to menu of DVD title
15. Up cursor
16. Left cursor
17. Enter / OK
18. Right cursor
19. Down cursor
20. Fast backward
21. Play
22. Fast forward
23. Previous: skip backward
24. Pause
25. Next: skip forward
26. Stop
27. Slow: slow motion playback
28. Volume increase (0 – 32)
29. Volume decrease (0 – 32)
30. Zoom
31. Step: plays video frame by frame
32. Subtitle: switch between subtitle options
33. Setup: displays system setup menu
34. Audio: switch audio tracks
35. to 42, 44, 45: Numeric buttons
43. Clear: erase the number or data you just entered
46. Bookmark: press to make a bookmark
47. Search

## Note:

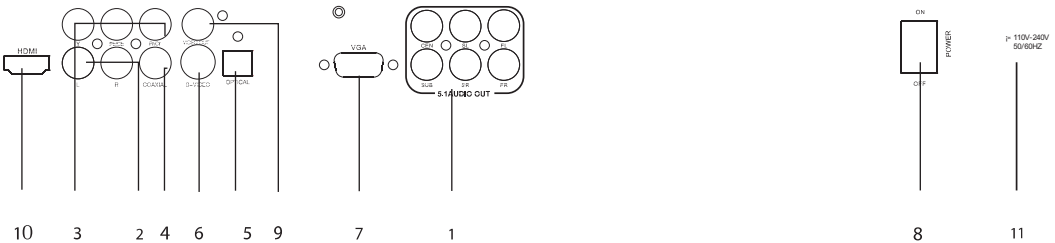
1. Do not mix different types of batteries
2. Replace batteries when the remote control's functions and range are weak
3. Do not expose remote control to excessive heat or moisture
4. Do not leave the remote control under direct sunlight to avoid signal interference
5. Use remote control within 7 meters and 30 degrees of the player

# Front Panel Overview



1. Disc Tray (Note: load discs label-side up)
2. Sensor: point remote control towards sensor to operate the player
3. LED screen: displays system information
4. [Stop] Stop playback
5. Power on/off
6. [Previous] Previous: skips to previous track or page
7. [Eject] Open/Close: inserts or ejects disc tray
8. [Play Pause] Play/Pause: plays or pauses disc
9. [Next] Next: skips to next track or page

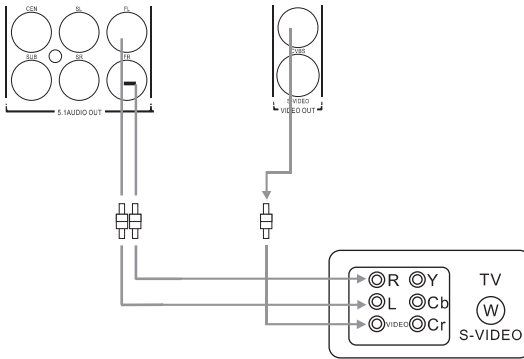
# Rear Panel Overview



1. 5.1 channel surround sound audio outputs
2. MIXED audio outputs
3. Component video outputs
4. Coaxial audio output
5. Optical audio output
6. S-Video output
7. VGA output
8. Power on/off
9. Composite video output
10. HDMI output
11. Power IN (90V-240V 50/60hz)

# How to connect the player to your AV system

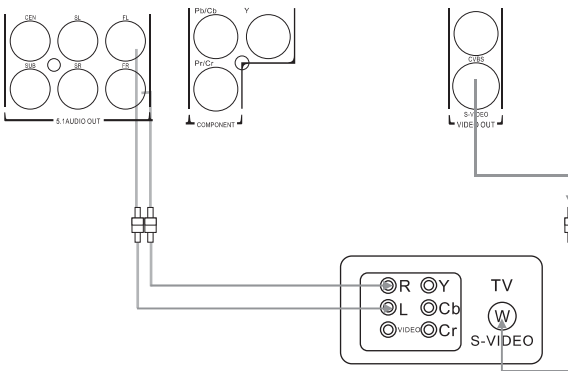
## Connecting via composite video



Using the AV cables supplied, insert the yellow cable into the video socket of your TV.

Insert the white cable into the left channel socket and the red cable into the right channel socket, and then connect the other ends of the white (left) and red (right) cables to the corresponding inputs on your TV.

## Connecting via S-video

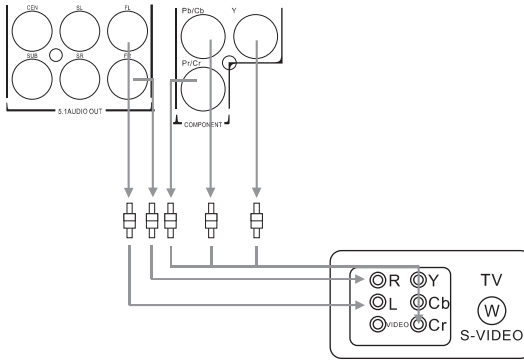


If there is an S-video input socket in your TV set you can connect the TV and the player using the S-video cable.

Use the supplied audio cable to connect the player to your TV.

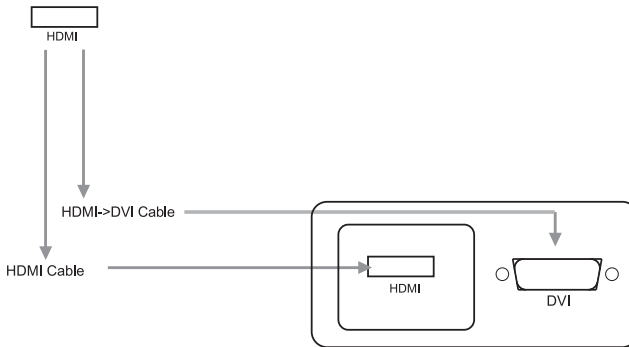
Or you can use the digital audio connection (coaxial/optical) or 5.1 channel connection to your AV receiver.

## Connecting via component video connection



Insert one end of the component video (Y / Cb / Cr) cable into the red/blue/green socket of the component video output located on the rear of the player. Insert the other end of the cable into the component video input socket located on your TV. Use the supplied audio cable to connect the player to your TV. Or you can use digital audio connection (coaxial/optical) or 5.1 channel connection to your AV receiver.

## Connecting via HDMI/DVI video

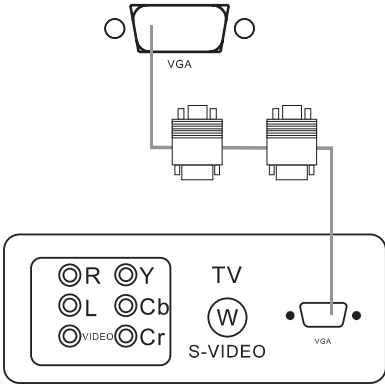


Use the HDMI cable to connect the player to HDMI input of your TV.

You need an HDMI to DVI cable to connect the player to DVI input.

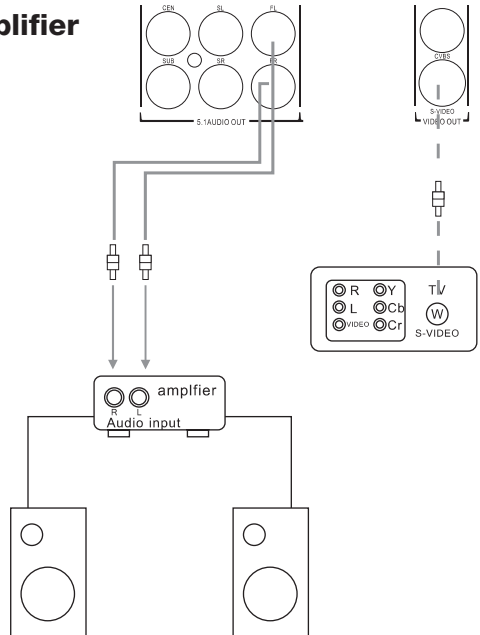
HDMI will output both video and audio (you need to turn off the digital output in the player's setup in order to get audio from HDMI)

## Connecting to VGA/RGB-HV



Use the VGA cable to connect the VGA/RGB -HV output of the player to the VGA or RGB-HV input of your TV.

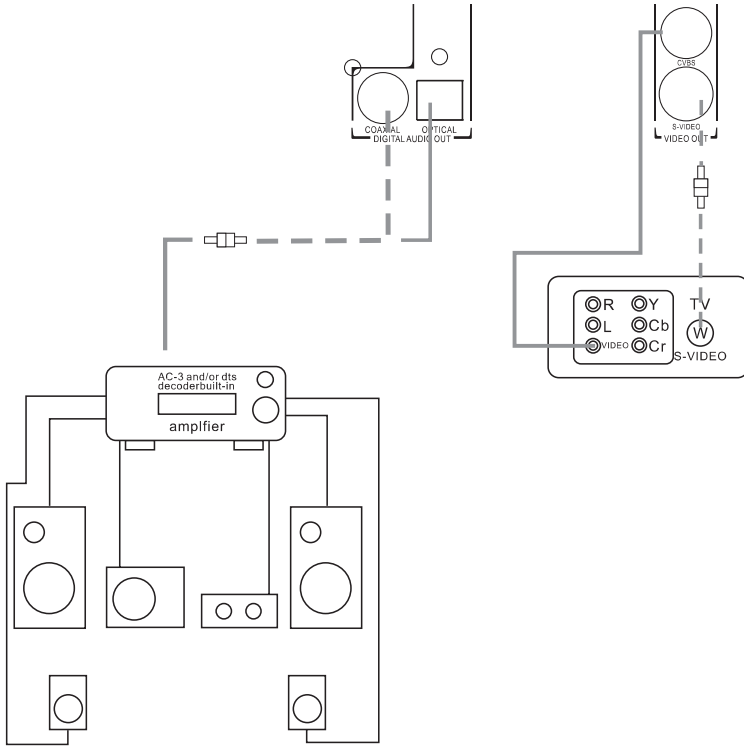
## Connecting to a 2 channel audio amplifier



Connect the video output of the DVD player to the video input of your TV using the corresponding cables (video cable / S-video cable / component cable).

Connect the audio cable's FL and FR to the sound input L/R socket on the amplifier.

## Connecting to AV receiver for digital audio connection



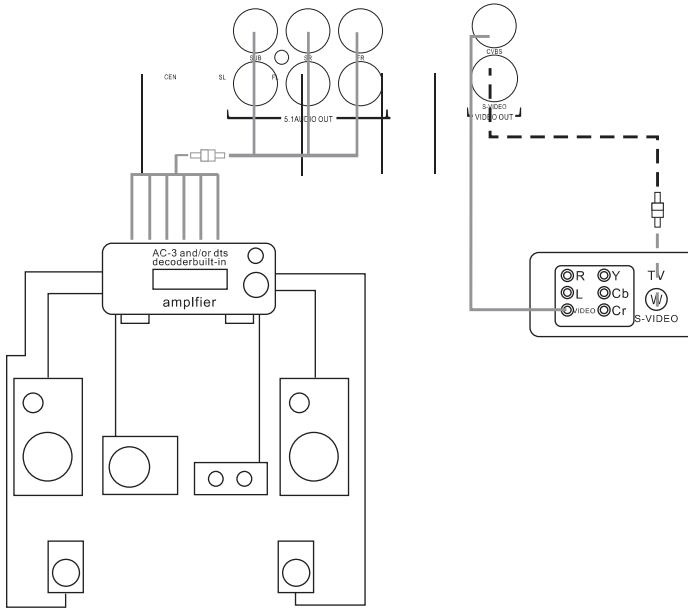
Connect the video output of the DVD player to the video input of your TV using the corresponding cables (video cable / S-video cable / component cable).

Use a fiber optic cable or coaxial cable to connect the optical or coaxial socket located on the rear panel of the player to the AV receiver.

To setup the Digital Audio options you can go to the system setup. Please see “Digital Sound Output”



## Connecting to a 5.1 channel amplifier

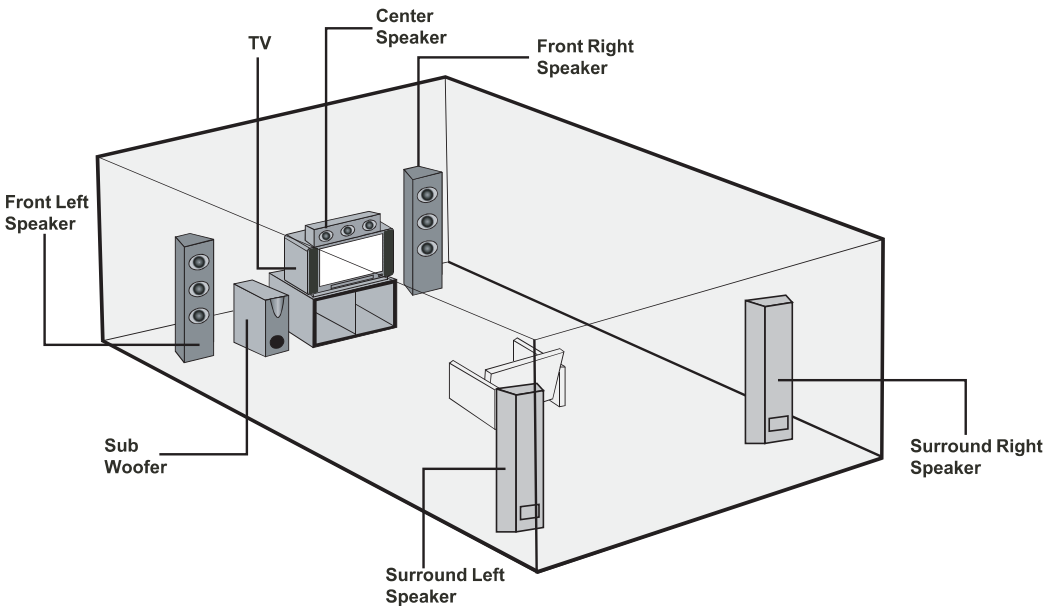
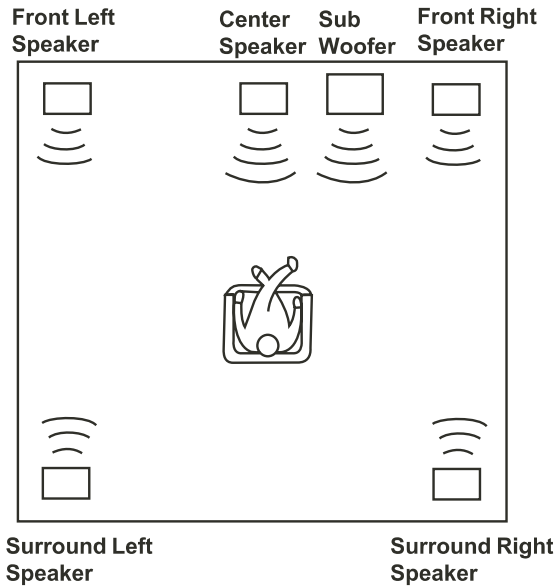


Connect the video output of the DVD player to the video input of your TV using the corresponding cables (video cable / S-video cable / component cable).

Connect the 5.1 audio output terminals of the player to the amplifier using the respective connection cables (L and R of MIXED/FRONT, L and R of SURROUND, CENTER and SUBWOOFER).

Ensure that the 6 speakers are connected to the corresponding outputs of the amplifier.

# Recommended Speaker Layout for 5.1 Channel System



# Playing Discs

1. This player can play all kinds of discs including DVD, VCD, Audio CD, CVD, SVCD, MP3 and JPEG
2. Play discs:
  - i. Connect TV set to the player
  - ii. Turn on the player
  - iii. Eject the tray by pressing the Open/Close button
  - iv. Place the disc on the tray and press Open/Close
  - v. The disc will be played automatically (some discs may require you to press the Play button to play)
3. Zoom: Press the ZOOM button to enlarge the image. Each time you press the button, the image will be enlarged 2-3-4-5 times bigger, and then it will return to its normal size. While zoomed, you can move the viewing area using the cursor buttons.
4. Mute: Press the MUTE BUTTON once to turn on mute and press again to turn off mute.
5. Title: Some discs will include a Title option. This is often a short introduction to the video before going to the DVD menu. Press the TITLE button to play the DVD from the Title
6. Menu: This is the DVD menu. Common options for a DVD menu are Language options, special features and episode selection. Press the MENU button to open the DVD menu. To return to normal play, press the MENU button again.

# Using On Screen Display Menu

The OSD (On Screen Display) menu lets you select from playback options while playing a disc.

Press DISPLAY to see playback options. Use cursor keys to select a playback function.

Note: you can only select a playback function that is supported by the disc you are playing. If a function is not supported by the disc, the icon will be highlighted grey.

## DVD screen display:

Title | Chapter | Subtitle | Channel | Repeat | Bookmark | Multi-angle | Time



## Video display:

File | Subtitle | Channel | Repeat | Time



## Audio CD display:

Track | Play mode | Time



## Time Display

01:35:12

This function is used to display the time elapsed on the disc or to seek to a specific time on the disc.

1. Press DISPLAY on the remote control to open the OSD menu.
2. Use the numeric buttons to input the desired time in HH:MM:SS format.

## Select Title



This function is used to select different titles when playing a disc with more than one title (for example, a TV series).

1. While playing a disc Press DISPLAY.
2. Use the cursor keys to highlight the Title option
3. Enter the desired title number using the numeric buttons or press [up] [down] to skip to the next or pervious titles.

Note:

Some discs have only one title.

## Select Chapter



This function is used to select different chapters when playing a title with more than one title.

1. While playing a disc Press DISPLAY
2. Use the cursor keys to highlight the Chapter option
3. Enter the desired chapter number using the numeric buttons or press [up] [down] to skip to the next or pervious chapter

## Select Subtitle



The Default setting for subtitles is Off (No subtitles).

To select subtitles;

1. While playing a disc, press DISPLAY.
2. Use the cursor keys to highlight the subtitle options
3. Use the [Up] [down] buttons to select the desired subtitle language from those available on the disc
4. Press ENTER to display the selected subtitles OR Press the SUBTITLE button repeatedly to select the desired subtitle set and press ENTER to display the selected subtitles

## Select Audio Language



This function is used to select different audio tracks (Languages) when playing a disc with more than one Audio language track.

1. While playing a disc, press DISPLAY.
2. Use the cursor keys to highlight the Audio options
3. Use the [Up] [down] buttons to select the desired subtitle set from those available on the disc
4. Press ENTER to start playing the selected Audio language

OR  
Press the AUDIO button repeatedly to select the desired language and press ENTER to start playing the selected Audio language

## Repeat Mode (Title / Chapter / A-B)



This function is used to continuously replay a specific Title or Chapter or a user specified section (A to B).

The default Repeat setting is OFF.

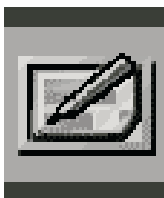
1. While playing a disc, press DISPLAY
2. Use the cursor keys to highlight the PLAY MODE / REPEAT MODE

3. Select the desired repeat mode

OR

Press REPEAT to switch between Title Repeat, Chapter Repeat, A-B Repeat and back to OFF.

## Bookmark Feature

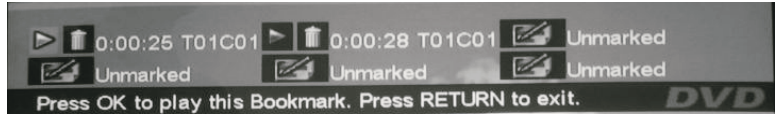


The bookmark function is used to create a book mark (time stamp) in the content that you are playing.

You can return to a book mark at any stage by using the call bookmark menu.

A maximum of six bookmarks can be created.

To play the book mark, select the [>] play icon and press enter. To delete a bookmark, Select the Trashcan icon and press enter. Pen icons indicate unused book marks.



## Bookmark Setup

Press DISPLAY on the remote control and use cursor keys to highlight the bookmark options. Press ENTER to display the menu

1. Select a bookmark that is not yet used. The current play time (play time elapsed) will be displayed beside the bookmark.
2. When you reach the desired point for the bookmark, press ENTER. The bookmark is now created.

## Clear Bookmark

Bookmarks are automatically cleared when the disc is ejected or the player is switched off.

To clear a disc while still playing:

1. While playing a disc, press DISPLAY.
2. Use the cursor keys to highlight the Bookmark menu and press ENTER to open the sub menu.
3. Use the cursor keys to highlight the Trashcan icon to the left of the book mark and press ENTER. This clears the bookmark and makes it available for reuse

## Multi-angle playing



Some DVD discs have multi-angle view options. You can select different viewing angles using the Multi-Angle play function. If the disc does not support multi angle, this feature will not be available.

1. If the disc does support multi angle, Press ANGLE and the multi-angle icon will be displayed as well as the current angle. E.g. 1/4 means the current viewing angle is 1 out of 4 available.
2. Press ANGLE again to switch to other angles or use [up] [down] to select angle.

## Play Mode

When playing a disc, using the OSD menu you can choose from the following Playing Modes - Normal, Random or Program.



**Normal:** Play the disc according to the recording sequence from start to Finish.



**Random:** Randomly play disc content.

- While playing a disc press DISPLAY
- Use the cursor keys to highlight the playing options.
- Press [Up] [Down] to select Random play and press ENTER. To switch back to normal play mode, repeat steps 1-3 and select Normal play instead of Random.



**Program:** Edit the play list and play the disc content in the order you specify.

- You can only use this option when you have edited the play list.

## VCD play control (PBC)

VCD play control can be used on a VCD2.0 or higher disc.

1. While playing a disc press DISPLAY
2. Use the cursor keys to highlight the Playing Mode options.
3. [Up] [Down] to select to select PCB and press ENTER





## Playing mpeg4

When you insert a disc with Mp4DivX files, the first file automatically begins to play\*. You can also manually select which file to play from STOP mode by pressing play to see a list of the files. To see file / folder information, select the file and press ENTER. To play a file, select it and press Play.

To play all the files in a folder / disc start playing the first file and then press display to open the OSD. Then select the desired playback / repeat option.

\*The first file is played automatically if Auto / Easy play is enabled.

## Playing Audio CD

When you load an audio CD, the CD begins to play. If it does not begin automatically, press PLAY. To select a different track, press the DISPLAY button to bring up the OSD control menu. Or press NEXT

## Playing Mp3

When you insert an MP3 disc or a disc with a folder containing music files the list of files appears. Select a file and press PLAY to begin playback. The MP3 menu automatically appears on the screen when playback starts. To select a different track, press DISPLAY to open the OSD control menu.

Use the cursor keys to highlight the desired file and press ENTER to begin playing the file.

## Playing a JPEG file

Open JPEG files using the same procedure for MP3 files (See above).

While viewing a JPEG image, press ZOOM and a red Zoom frame appears. Use the direction keys to adjust the frame position.

To rotate a JPEG image press ANGLE. Each time you press ANGLE the image is rotated 90 degrees.

## Slide Show Mode

Slide Show mode is used to play a series of JPEG images on a disc according to sequence.

1. Insert a disc containing the images and use the cursor keys to highlight the disc and press ENTER
2. To select playing speed use [Up][Down]
3. While the slide show is playing, use [Left][Right] to skip the current image.
4. Press [STOP] to stop the slide show. You can press Root Menu to display disc menu.
5. You can also open the OSD by pressing DISPLAY

# Player Setup Menu

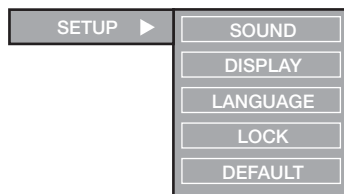
The Player setup menu is different from the disc menu and OSD. It is used to alter the player's Audio, Video and user options as well as set default settings.

The menu can be used under STOP mode by pressing SETUP on the remote control.

Within the Setup menu, if an option has a sub menu there will be an arrowhead on the right hand side of the option. Press ENTER to open the sub menu or press the [Right] button.

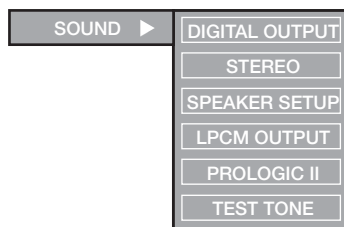
Use the direction buttons to choose the option you want to setup and press ENTER.

Press [back] to exit the sub-menu or Setup Menu.



## Sound Setup

SOUND SETUP allows you to set the sound according to the playback and connection conditions.



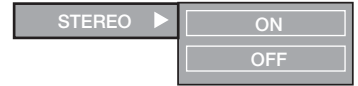
### Digital output

1. Select Dolby Digital / DTS for original digital output.
2. Use cursor to select DIGITAL OUTPUT option and press OK.
3. Use cursor to select desired audio type, press OK to confirm
4. Use cursor to return to digital output option



## Stereo Sound

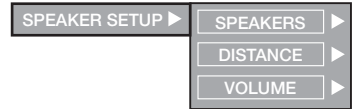
1. Select sound menu to open player setup
2. Use cursor keys to highlight STEREO option
3. Press [OK] to turn stereo sound ON or OFF



## Speaker Setup

Speaker setup allows you to set up speaker size, distance and volume

1. Select SOUND menu and press [OK]
2. Use the cursor to select speaker setup



## Speaker

Using this option, you can setup the speaker according to the volume of the player. The following options are available:

Left front - small / large

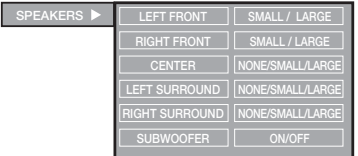
Right front - small / large

Center - none / small / large

Left Surround - none / small / large

Right surround - none / small / large

Subwoofer - on / off



If you need to set up speakers, you must first turn off the Stereo option.

## Distance

Using this option you can setup the distance between audience and speakers, in order to get the best performance. The Default setting is 3.3 meters. You can adjust the distance for front, middle and surround speakers.

DISTANCE ▶	LEFT FRONT	3.3m.
	RIGHT FRONT	3.3m.
	CENTER	3.3m.
	LEFT SURROUND	3.3m.
	RIGHT SURROUND	3.3m.

1. Select a speaker (L Front / R Front / Center / L Surround / R Surround)
2. Use the cursor keys to adjust distance from 1m to 6.6m

## Volume

1. Select SOUND menu
2. Use cursor to select SPEAKER SETUP and press OK
3. Select VOLUME option and press OK
4. Select the desired speaker
5. Use the cursor to adjust volume within 0 to -10db

VOLUME ▶	LEFT FRONT	0dB
	RIGHT FRONT	0dB
	CENTER	0dB
	LEFT SURROUND	0dB
	RIGHT SURROUND	0dB
	SUBWOOFER	0dB

## LPCM Output

1. Press SETUP on the remote control, select SETUP and press OK
2. Use cursor to select SOUND and press OK
3. Select LPCM output
4. Press OK repeatedly to select the desired frequency

LPCM OUTPUT ▶	96 K
	48 K

## Pro Logic II

1. Press [SETUP] on remote control and select the SETUP option. Press OK
2. Use cursor to select SOUND and press [OK]
3. Use cursor to select PRO LOGIC II and press OK
4. Use cursor to select desired option and press OK to confirm

PROLOGIC II ▶	DSP MODE OFF
	IMULATION
	MUSIC
	MOVIE
	MATRIX

## Smart Play

If Smart Play is enabled (On) discs are automatically played when they are loaded into the player.

1. Press [SETUP] on remote control and select the SETUP option. Press OK
2. Use cursor to select SOUND and press [OK]
3. Use cursor to select SMART PLAY and press [OK] to turn easy play On / Off

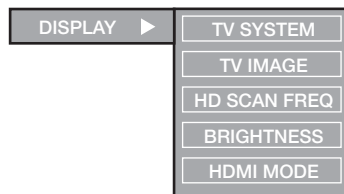
## Display Setup

In the display menu you can adjust the TV System, TV Image, S-Video, HD Scan frequency, Video options, HDMI mode and HDMI Select options.

1. Press SETUP on the remote control
2. Use cursor to select DISPLAY and press OK.
3. Use cursor to move to the desired option and press OK

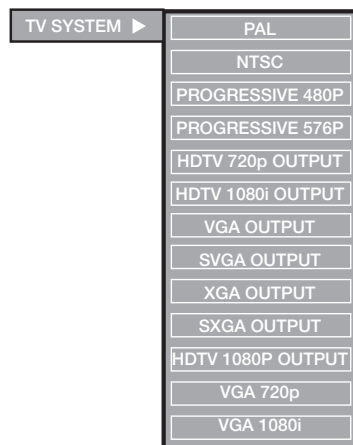
NOTE:

HD SCAN FREQ and Video options are available only in High Definition mode (720p, 1080i, 1080p)



## TV System

1. Press SETUP on the remote control
2. Use Cursor to select display and press OK
3. Use cursor to select TV system and press OK
4. Use cursor to select desired output and press OK



## NTSC

Changes the video signals of a PAL DVD disc and outputs it in NTSC format

## PAL

Changes the video signals of a NTSC disc and outputs it in the PAL format

## Progressive Scan output

The player supports 480NTSC (USA) and 576 PAL (Europe) progressive scan output. Progressive scan output can improve image quality. When using progressive scan output, it is required to connect the player using the component video out jacks or HDMI to a TV that is able to accept the video signal in progressive format.

## High Definition 720p / 1080i / 1080p output

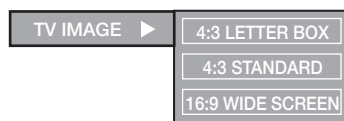
The player supports 720p, 1080i and 1080p high definition video output. 720p/1080i/1080p resolution is available via HDMI and component outputs, 720p/1080i available via VGA/RGB-HV output.

## VGA / S-VGA / XGA / SXGA output

The player can provide VGA (640 X 480) / SVGA (800 X 600) / XGA (1024 X 768) / SXGA (1280 X 1024)

## TV Image

With this option you can select the settings according to the TV to be connected. The TV has three display options.



1. Press SETUP on the remote control
2. Use the cursor to select DISPLAY and press OK
3. Use the cursor to select TV IMAGE and press OK
4. Use cursor to select the desired TV image and press OK

## Video Options

Use the video options to set the levels of the various video properties:

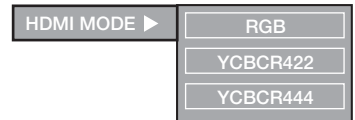
Color, Contrast, Brightness, Tint, Black level

1. Press SETUP on the remote control
2. Use cursor to select DISPLAY and press OK
3. Use cursor to select VIDEO OPTIONS
4. Use cursor to select the desired property and press OK
5. Use the cursor UP / Down to change the selected value.

## HDMI Mode

Use this option to manually select one of three available HDMI modes: YcbCr422 / YcbCr444 / RGB

1. Press SETUP on the remote control
2. Use cursor to select DISPLAY and press OK
3. Use cursor to select HDMI MODE
4. Press OK repeatedly to select the desired setting



## HDMI Select

This option is used to select the type of TV the player is connected to from the HDMI output. You can connect to a HDMI display or a DVI display using a HDMI-DVI cable. There are three options for HDMI Select: HDMI, DVI, AUTO

1. Press SETUP on the remote control
2. Use cursor to select DISPLAY and press OK
3. Use cursor to select HDMI SELECT
4. Press OK repeatedly to select the desired setting

## Languages

You can individually set the language that the player uses for:

Player menu - Setup menus etc....

Disc menu - Menus when playing discs

Audio - Default audio language to select with videos

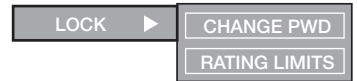
Subtitle - Default Subtitle language to select with videos

1. Press SETUP on the remote control
2. Use cursor to select LANGUAGES and press OK
3. Use cursor to select desired option and press OK
4. Use cursor to select desired language and press OK

## Parental Lock

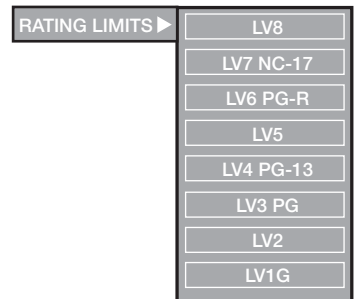
This function restricts playback of DVD video disc which contains undesired ratings. The user can set the rating level and the DVD player will not play DVD with a rating above this without the password being entered.

1. Press SETUP on the remote control.
2. Use the cursor to select LOCK and press OK.
3. PASSWORD menu will be displayed
4. Enter the password. Default password is 8888  
Select the desired option that you wish to adjust



## Rating Limit

1. Select RATING LIMITS and press OK
  2. Use the cursor to select the desired rating level
- Note, Level 8 may not be available



## Change password or set rating limit.

Change Password:

1. Select CHANGE PWD and press OK
  2. Enter new password and press OK to confirm
- New password will now be activated





# Troubleshooting

Problem	Possible Cause and Solution
No Power	<ol style="list-style-type: none"> <li>1. Ensure the power lead is firmly connected to the player and plugged into the socket fully.</li> <li>2. Switch the power on</li> </ol>
Can not play Disc	<ol style="list-style-type: none"> <li>1. Switch the power on.</li> <li>2. The Disc type is not supported by the player or is seriously damaged. Only use discs that can be played by this player</li> <li>3. Wrong side of disc – place the disc on the tray with printed side up.</li> <li>4. Restriction of Disc level. Cancel the restriction.</li> <li>5. Condensation on the laser lens. Switch on the player without any disc loaded and allow to 'Warm up' for 1-2 hours.</li> </ol>
No Picture	<ol style="list-style-type: none"> <li>1. The TV Video Input state is incorrect. Adjust the TV to AV/S-Video /Component or HDMI depending on which player output is being used.</li> <li>2. Video output settings from player are incorrect for the TV / Display.</li> <li>3. Damaged Media – clean the disc</li> </ol>
Picture distorted or loss of color	<ol style="list-style-type: none"> <li>1. The output settings of the DVD player are not matched with the input settings of the TV / Display. Recheck both player and TV settings</li> <li>2. Damaged or poor quality media – clean or replace the disc</li> <li>3. Connect the DVD player directly to the TV set.</li> </ol>
No Disc / Wrong Disc	The disc could be dirty or damaged. Please clean or replace the disc
Can not display picture as full screen	<ol style="list-style-type: none"> <li>1. Reset the display mode of the TV</li> <li>2. Select the corresponding screen mode on the DVD player setting menu</li> </ol>
Can not select a chapter	Some discs are disabled from selecting an individual chapter
Remote Control does not work	<ol style="list-style-type: none"> <li>1. Obstacle between the remote control and receiving window - point the remote to the player directly – i.e. get a clear line of sight.</li> <li>2. The remote control batteries have the wrong polarity or low power. Please reload or replace the batteries</li> </ol>
No Sound	<ol style="list-style-type: none"> <li>1. Check the TV or Amplifier equipment to make sure it is turned on.</li> <li>2. The volume control has been set to minimum or MUTE has been turned on.</li> </ol> <p>Note: There is no audio output when the player is paused, in Step mode, slow motion, FF or FR status.</p>

# Product Specification

<b>Disc types</b>	DVD, SVCD, VCD, CD, HDCD, Mp3, CVD, CD-R/RW, DVD+-R/RW
<b>Formats</b>	DVD/SVCD/VCD/CD/HDCD/MP3/MP3/WMA MPEG4(DivX, Xvid, MPEG1, MPEG2 and MPEG4) video file playback.
<b>Video output</b>	Composite video, S-Video, Y, Pb/Cb, Pr/Cr Component video, VGA/RGB-HV video, * HDMI (Video & Audio) * DVI available by using a HDMI to DVI cable.
<b>Audio output</b>	2 channel mixed audio out 5.1 channel audio, Coaxial Digital audio, Optical Digital audio
<b>Video performance</b>	Video output level: 1.0Vp-p(75Ω) Y output level: 1.0Vp-p(75Ω) C output level: 0.286Vp-p/NTSC; 0.3Vp-p/PAL(75Ω) Horizontal (TV lines): >=500
<b>Audio performance</b>	Audio S/N ratio (dB):2.0 <sup>+0.0</sup> <sub>-.1.0</sub> Audio output level: >=90 Audio distortion + Noise (dB): <=-65
<b>Power supply</b>	AC 110V-240V 50/60hz
<b>Power consumption</b>	20W

## Support Information:

If you have any questions or queries about this product, you can submit a support ticket at [www.neodigits.com/esupport](http://www.neodigits.com/esupport) or you can email us at [support@neodigits.com](mailto:support@neodigits.com). All questions will be answered within 48 hours (excluding Saturday, Sunday and public holidays)

There is also a product FAQ available at [www.neodigits.com](http://www.neodigits.com)

If you have any suggestions about this product, please feel free to email us at [info@neodigits.com](mailto:info@neodigits.com)