

DVD Kitchen Radio with TFT Display

MDR700

Quick Start Guide

- 1** Preparation
- 2** Connect it
- 3** Mount it
- 4** Use it



This **Guide** shows you:

- basic installation setup
- how to install your unit
- how to play a DVD
- how you can watch TV on the unit

For detailed operation of all the features, please also read the **User manual**.

MAGNAVOX

What's in the box

DVD Kitchen Radio with TFT Display 	Remote control with one CR2025 lithium battery 	16 x spacers
Quick start guide 	Mounting template 	User manual
12 x screws 	12V DC adaptor 	AM antenna
FM antenna 	AV cable 	

What else you'll need

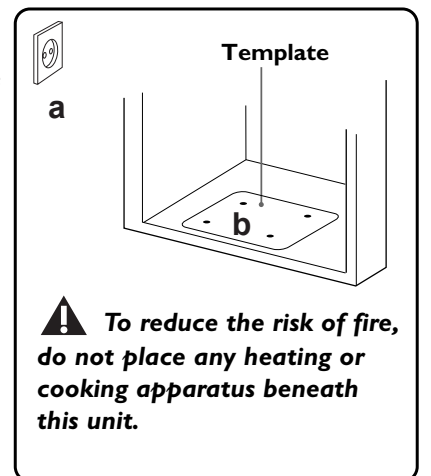
These tools (not included) will help you mount the unit as described in part 3 Mount it, and on the template.

Electric drill 	Tape measure 	Scissors
Sellotape 	Screwdriver 	Safety goggles

1 Preparation

For best performance, install the unit as far as possible from sources of noise and interference (e.g. fridges, microwaves, fluorescent lamps)

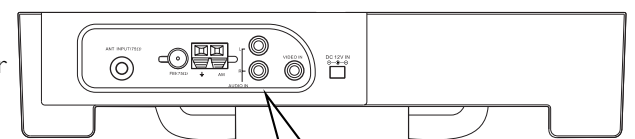
- a** Find a mounting location near a wall outlet.
- b** Use the mounting template to test the design and thickness of your kitchen cabinet bottom.
- c** Decide whether you want to connect the unit with other AV signal sources. (See **2B** below)



2 Connect it

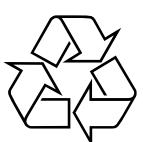
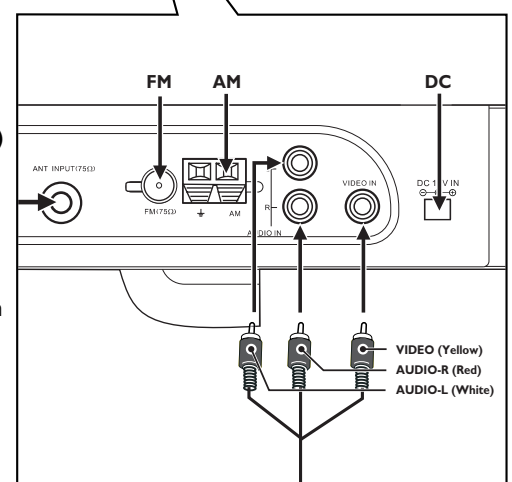
A Connect the following supplied accessories to the respective jacks on the rear of the unit:

- **12V DC** power adaptor
- **For radio reception**, connect the **AM** and **FM** antennas.



B **Other connections (cables not included)**


- For TV reception on the unit, connect a **VHF/UHF cable**.
- For use with other AV signal sources, connect the composite cable and match the colors of the cinches (**Audio L/R, Video in**) on the unit.

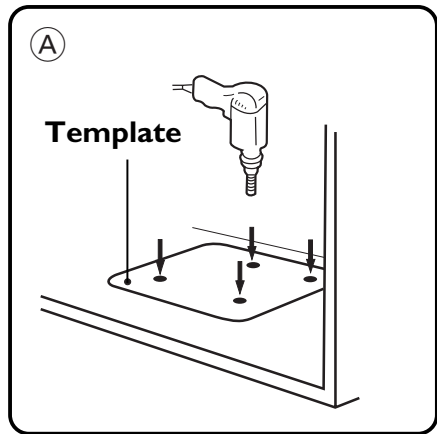


3 Mount it

Ask a friend to help out. An extra hand to hold the unit makes mounting easier and quicker.

A

- Cut the template to fit inside the cabinet.
- Align the template border marked "FRONT" along the front edge of your cabinet.
- Use adhesive tape to fix the template.
- Drill 1/4 inch holes, as marked  on the template.
- Remove the template when you finish drilling.



Tip

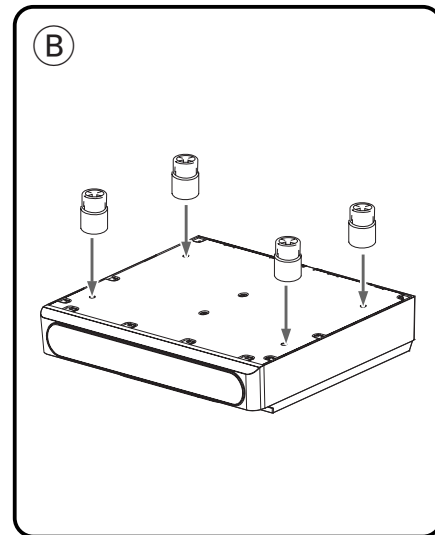
- Clean the bottom of the cabinet surface and also empty your cabinet before mounting.
- Place the unit in a clean, safe place when drilling to avoid wood shavings dropping into the ventilation slots.
- Use a nail to start each drill hole.
- Drill from the bottom upwards if you do not have enough room inside the cabinet.
- Hold your drill firmly at 90° with the cabinet bottom and drill holes at low speed.
- Clear wood shavings.

B

Using the spacers

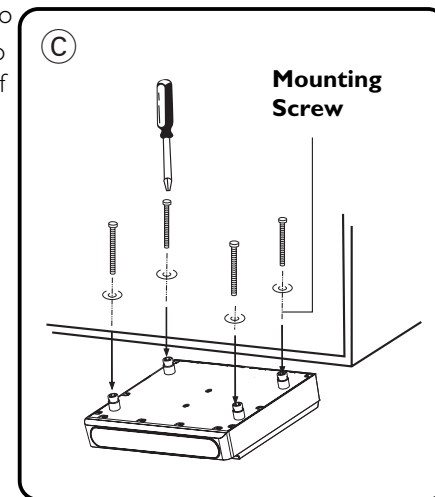
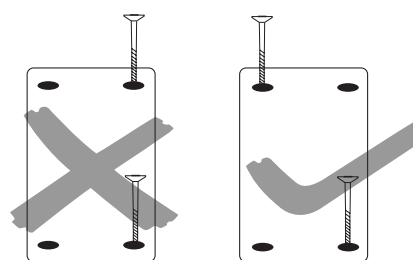
A total of 16 spacers are supplied. Depending on the thickness of your cabinet bottom (with or without an overhang), you can select 4 spacers of the best length to mount the set.

- Measure the height of the cabinet bottom and/or overhang.
- Select 4 spacers of the optimum length.
- Insert the spacers accordingly.



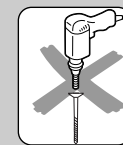
C

- **Manually** fasten 4 long screws (selected according to actual situation) down into the spacer holder holes to mount your set. Start screwing at opposite corners of the unit for better support.



Tip

▲ To prevent damage to your set, do not use an electric drill to secure screws when mounting!



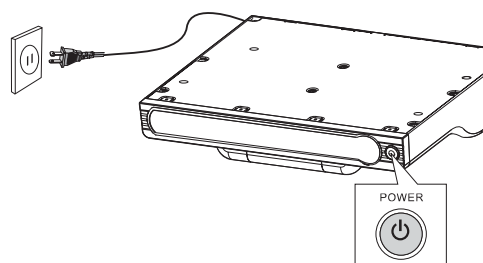
4 Use it

For full details, please read and follow the instructions inside the **User manual**.

A

Power supply

- Connect the power plug to the wall outlet.
- Press **POWER** to switch on.



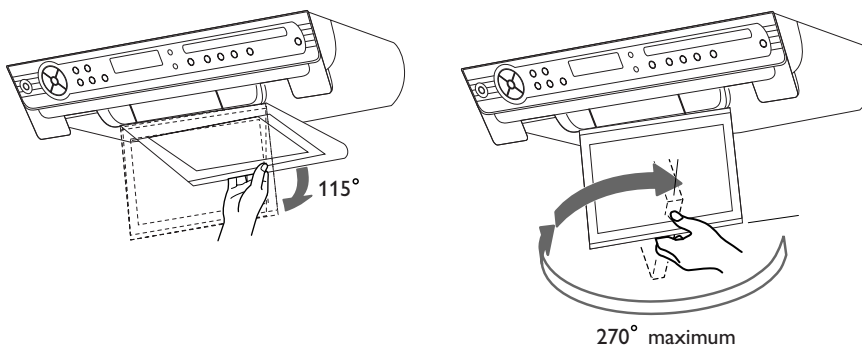
B

Using the LCD screen

- Pull out the LCD screen under the unit and swivel round as shown.
- To store away, swivel and tuck. Push back until you hear a click.

Tip

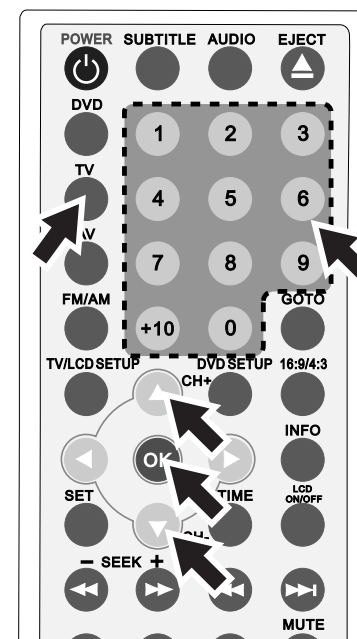
– Swivel with care to avoid breakage. Screen rotates a maximum 270° only.



D

How to watch TV on the unit

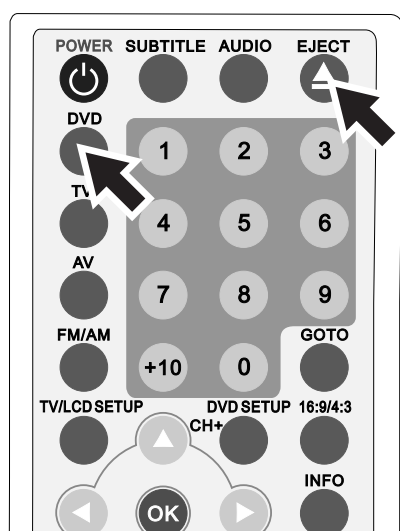
- Ensure normal TV antenna and power cord connection.
- Switch on the system.
- Press **TV** on the remote control or **SOURCE** on the front panel to switch to the TV mode.
- Enter **TV SETUP**.
- Press **▲ / ▼** to select Fine Tuning or Auto Memory to store channels.
- After exiting **TV SETUP**, press **▲ / ▼** on the remote control to select the desired channel, or use the **Numeric Keypad (0-9)** for input and then press **OK** for confirmation if necessary.



C

How to play a DVD / CD

- Select **DVD** source.
- Insert a DVD/CD.
- Press **PLAY/PAUSE** to start disc playback.



E

Improve radio reception

FM: place the antenna as far as possible from the AC adaptor to avoid interference.

AM: always mount the antenna vertically.

