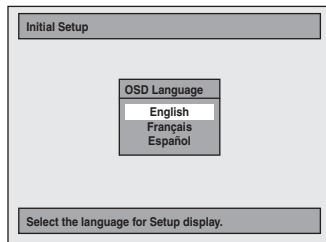
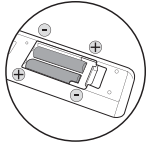


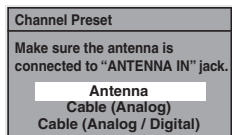
4. Prepare

- 1 After all the connections are complete, connect the AC power cord.
- 2 Insert two Size AA (R6) batteries.
- 3 Press [STANDBY-ON] to turn on the unit.
- 4 Turn on your TV.
- 5 Press the button on the TV's remote control that accesses the external input channel repeatedly until you see "Initial Setup" menu. (Please refer to your TV's owner's manual.)



If the TV is connected by an HDMI cable, it may take a while for the "Initial Setup" menu to come up.

- 6 Use [▲/▼] to select your desired language, then press [OK].
- 7 Use [▲/▼] to select the type of broadcasting signal, then press [OK].



"Auto Presetting Now"

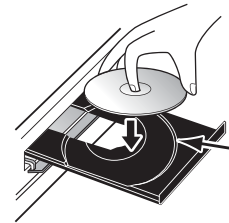
If a PBS (public broadcasting station) is available in your area, clock setting will automatically be performed and the correct clock will be displayed following the channel preset procedure. Initial setting is then complete. Press [RETURN] to exit.

If a PBS (public broadcasting station) is not available in your area, press [OK]. Then proceed to step 5 in "Manual Clock Setting" on page 32 in the Owner's Manual.

5. Record(DVD)

Press [DVD] first.

- 1 Insert a recordable disc (refer to page 26 in the Owner's Manual on how to insert a disc).



Align the disc to the disc tray guide.

- 2 Press [REC MODE] repeatedly to select a recording mode.
- 3 Select the appropriate external input channel by pressing [SOURCE] or [CHANNEL+ /-]. Press [DTV/TV] to select analog TV or digital TV, then use [CHANNEL+ /-] or [the Number buttons] and [.] (for digital TV channels) to select a desired channel to record.

- 4 Press [REC] to start recording.

- 5 Press [STOP] to stop recording.

The title list will appear automatically after writing to a disc completes.

e.g.) DVD+R



- Press [STOP] to exit the title list.

You will need to finalize DVD+R, DVD-RW or DVD-R to play them back on other DVD players. Refer to page 54 in the Owner's Manual on how to finalize a disc.



For more info, please contact **1-800-605-8610** or visit : <http://www.magnavox.com/support>



Please read the supplied Owner's Manual for the detailed instructions.

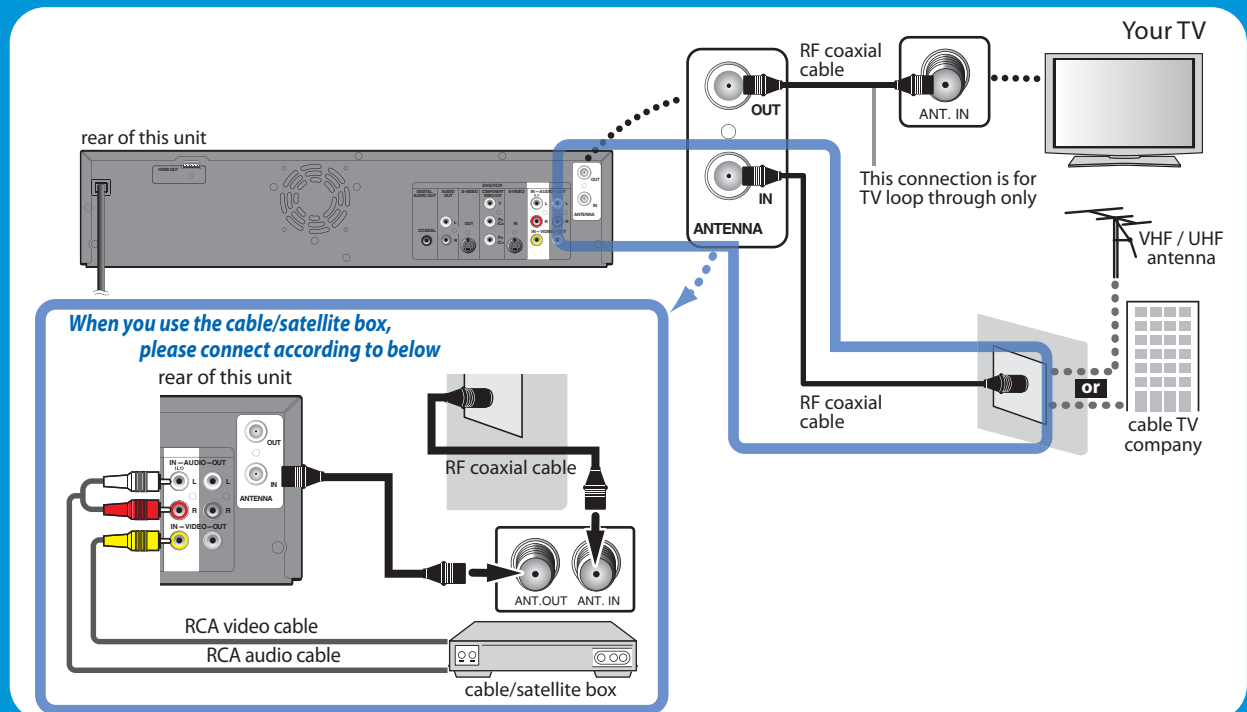
MAGNAVOX

Quick Guide

Digital Video Disc Recorder & Video Cassette Recorder with Digital Tuner **ZV457MG9 A**

1. Antenna Connection ▶ 2. Select ▶ 3. Connect ▶ 4. Prepare ▶ 5. Record (DVD)

1. Antenna Connection



2. Select the appropriate connection

Best Progressive-compatible

Video **HDMI cable**

Audio

HDMI cable sends both audio and video digital signals. (No additional audio connection is required.)

HDMI cable not included.
High Speed HDMI Cable (also known as HDMI category 2 cable) is recommended for the better compatibility.

Better Progressive-compatible(480p)

Video **Component video cable**

Audio **Audio cable**

Cables used in this connection are as follows:

- Audio cable (L/R) x 1 (Included)
- Component video cable x 1 (Cable not included.)

Basic Supports only 480i resolution.

Video **Video cable**

Audio **Audio cable**

Refer to "Connecting to a TV Using the S-Video Out Jack" on page 17 in the Owner's Manual for the connection using an S-video cable.

Cables used in this connection are as follows:

- Audio cable (L/R) x1 (Included)
- Video cable x1 (Included)

3. Connect

HDMI Cable

Do not tilt the connector when inserting it into the HDMI jack, and make sure the shapes of the jack and the connector are matched.

Component Video Cable and Audio Cable

Video Cable and Audio Cable