

# LT56 Universal Layout Laser User Guide



www.trimble.com/spectra



## Introduction

Thank you for choosing the Spectra Precision LT56 from the Trimble family of Laser Tools. This easy-to-use laser tool with (3) x 360° laser planes will allow you to accurately align horizontal and vertical projects. Before using the LT56, read this operator's manual carefully. Included is information about operation, safety and maintenance. Ensure that the operating instructions are with the laser tool when it is given to other persons.

Your comments and suggestions are welcome; please contact us at:

Trimble / Spectra Precision Division  
5475 Kellenburger Road  
Dayton, Ohio 45424 USA  
Phone: +1 (937) 203-4419  
+1 (800) 527-3771  
Website: www.spectra-productivity.com

## Features

Included with the LT56: Unit, multi-functional accessory, laser glasses, target, charger, user guide and case.



- 2 -

## Specifications

Accuracy	±2mm @ 10m (1/4" @ 100 ft)
Visual distance - with HR220	25m (80 ft) 75m (250 ft)
Laser - power - class / wavelength	Less than 1mw Class 2 / 635nm
Power Supply - batteries - battery life	Lithium-ion, 7200 mAh, 3.7 V 1 beam - 45 hours 2 beam - 35hours 3 beam - 25 hours
Charge time	12 hours (30 minute quick charge will provide 2 hours operation with 2 beams)
Charger	Input: 100-240V AC 190 mA Output: 5V DC 800mA
Out of Level Indication	Flashing beam - triple flash every 10 seconds
Laser Detection (Pulse)	Yes, HR220
Self leveling range	4° ±1° all direction
Environmental - IP - Operating Temperature - Storage temp	IP54 -10° to 45° (14 °F to 113 °F) -20° to 60° (-4 °F to 140 °F)
Drop Specification	1m (3 ft)
Size (L x W x H)	152 x 116 x 84 mm (4.6 x 6.0 x 3.3 in)
Weight	0.67 kg (1.48 lb)

- 6 -

## Storage

The temperature limits for storage of your equipment must be observed, especially in winter / summer.

Remove the tool from its case if it has become wet. The tool, its carrying case and accessories should be cleaned and dried (at maximum 40°C). Repack the equipment only once it is completely dry. Check the accuracy of the equipment before it is used after a long period of storage or transportation.

## Transport

**Note** - The LT56 should be locked during transport.

Use the original packaging or packaging of equivalent quality for transporting or shipping your equipment.

## CAUTION

Always remove the batteries before shipping the tool.

## Laser Safety

Use of this product by people other than those trained on this product may result in exposure to hazardous laser light.

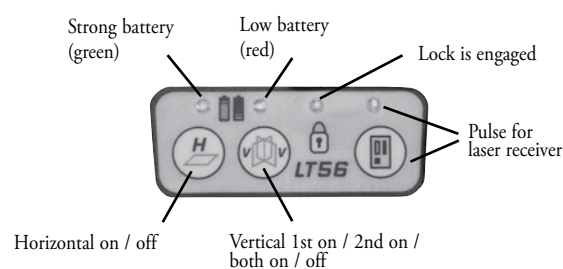
- Do not remove warning labels from the unit.
- The LT56 is a Class 2M (635 nm) laser product .
- Never look into the laser beam or direct it to the eyes of other people.
- Always operate the unit in a way that prevents the beam from getting into people's eyes.



- 10 -

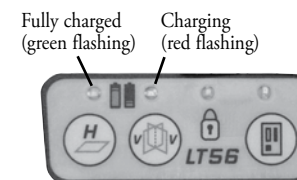
## General Operation

## Power ON/OFF



## Battery

The LT56 is powered by lithium ion batteries. The batteries are charged with the included charger. The lithium ion battery has a 2 - 3 year life and is replaceable. The LT56 can also run on AC power if the batteries are not charged.



## Visibility

The visibility of the laser lines on the floor will improve significantly if the LT56 is raised above the floor 150 - 500 mm (6 - 18 inches)

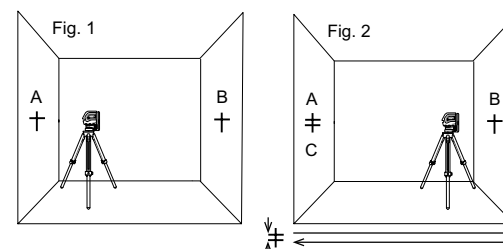
- 3 -

## Calibration Check

It is recommended to occasionally check the calibration of the LT56.

### Horizontal calibration check

- Find a room with a minimum 5m (16') width
- Turn on both horizontal and vertical lines
- Place LT56 near one of the walls (fig.1.)
- Mark horizontal line on near wall A
- Rotate the LT56 and mark horizontal wall B.
- Move tripod to location near the other wall (fig 2)
- Align LT56 so that horizontal line is aligned directly on point B
- Rotate the LT56 and mark the horizontal line above/below on on Point A. Call this C.
- The difference between A and C is the accuracy of 2x the distance between the walls
- Example. Distance between the walls is 5m (16') and distance between A and C is 3mm (1/16"), then accuracy is 1.6 mm at 10m (1/16" at 32 ft).



- 7 -

## Warranty

Trimble warrants the LT56 to be free of defects in material and workmanship for a period of 3 years. For the first 2 years, Trimble or its authorized Dealer or Service Center will repair or replace, at its option, any defective part, or the entire product, for which notice has been given during the warranty period Li-ion battery warranty is 2 years. For the 3rd year, an exchange fee may apply. This warranty period is in effect from the date the system is delivered by Trimble or its authorized Dealer to the purchaser, or is put into service by a Dealer as a demonstrator or rental component. Any evidence of negligent or abnormal use, or any attempt to repair equipment by other than factory-authorized personnel or Trimble certified or recommended parts, automatically voids the warranty. The foregoing states the entire liability of Trimble regarding the purchase and use of its equipment. Trimble will not be held responsible for any consequential loss or damage of any kind. This warranty is in lieu of all other warranties, except as set forth above, including an implied warranty. Merchantability of fitness for a particular purpose is hereby disclaimed. Customers should send products to the nearest authorized Factory, Dealer or Service Center for warranty repairs, freight prepaid. In countries with Trimble Service Subsidiary Centers, the repaired products will be returned to the customer, freight prepaid.

- 11 -

## Compensator Lock

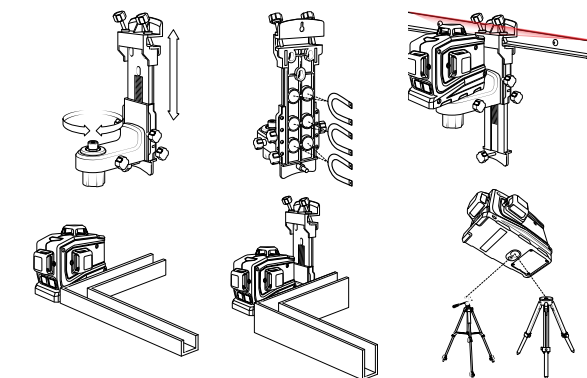


**Note** - The LT56 must be unlocked to enable the pulse receiver mode

**Laser Receiver** - If your product includes HR220 laser receiver, the operating instructions are included separately.

**Note** - The LT56 should be locked during transport

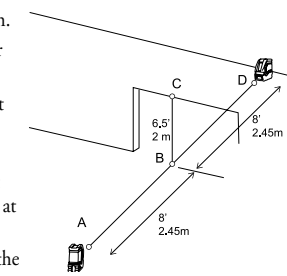
**Mounting Bracket** - includes these functions.



- 4 -

## Vertical Calibration Check

- Find a door jamb about 2m / 6.5' high.
- Mark point A at 2.45m / 8' from door jamb
- Turn on LT56 vertical line and place it at point A toward the door jamb.
- Use the vertical line to mark point B under the door jamb, mark point C at the top of the door jamb and point D at 2.45m / 8' beyond the door jamb.
- Move the LT56 to point D and align the vertical line with points A, B and D.
- Mark the point where the vertical line is on top of the door jamb near point C.
- If the line is within 1mm / 1/32", the vertical line is in tolerance.



- 8 -

## Service Request

To locate your local dealer or authorized Trimble Service Center outside the U.S.A. for service, accessories, or spare parts, please visit our websites: www.trimble.com/spectra and www.spectra-productivity.com.

## Declarations

We declare, on our sole responsibility, that this product complies with the following directives and standards:

EN 50081-1, EN 61000-6-2, 2004/108/EC.

Type: LT56

**Notice to Our European Union Customers**

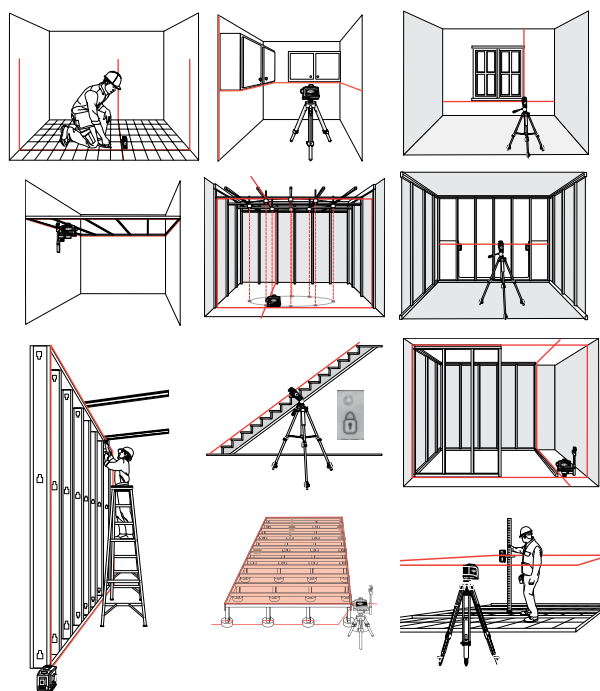
For product recycling instructions and more information, please go to: [www.trimble.com/environment/summary.html](http://www.trimble.com/environment/summary.html)

**Recycling in Europe**

To recycle Trimble WEEE, call: +31 497 53 2430, and ask for the "WEEE associate," or mail a request for recycling instructions to:  
Trimble Europe BV  
c/o Menlo Worldwide Logistics  
Meerheide 45  
5521 DZ Eersel, NL

- 9 -

## Applications



- 5 -