

JVC DVD PLAYER

XV-N328S

INSTRUCTIONS



GNT0061-016B[AG/AS/AA] 0505MOC-MW-SC
©2005 Victor Company of Japan, Limited

Region code of DVD VIDEO
This player can play back DVD VIDEO discs whose region code numbers include the player's Region Code, which is indicated on the region code symbol on the rear panel.
Examples of playable DVD VIDEO discs:



The player's region code is printed on the rear of the player
Note of Color system format
This player is compatible with the PAL and NTSC systems. Select the correct color system for your TV (see "Initial settings").

Supplied accessories
If anything is missing, consult your dealer immediately.
• Audio/video cable (Yellow/White/Red) (x 1)
• Remote control (x 1)
• Re(SUM-3)/AA(15F) battery (x 2)
• AC power plug adaptor (x 1)
(Only for Singapore)

CAUTION
To reduce the risk of electrical shocks, fire, etc.:
1. Do not remove screws, covers or cabinet.
2. Do not expose this appliance to rain or moisture.

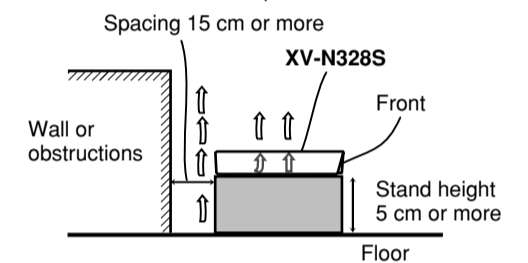
Caution — **STANDBY/ON button!**
Disconnect the mains plug to shut the power off completely. The **STANDBY/ON** button in any position does not disconnect the mains line. The power can be remote controlled.

IMPORTANT FOR LASER PRODUCTS
1. **CLASS 1 LASER PRODUCT**
2. **CAUTION:** Do not open the top cover. There are no user serviceable parts inside the unit; leave all servicing to qualified service personnel.
3. **CAUTION:** Visible and invisible laser radiation when open and interlock failed or defeated. Avoid direct exposure to beam.
4. **REPRODUCTION OF LABEL: CAUTION LABEL, PLACED INSIDE THE UNIT.**

CAUTION: Visible and invisible laser radiation when open and interlock failed or defeated. Avoid direct exposure to beam.
ADVERSE: Spraying cleaning liquid on the exterior may cause damage.
WARNING: Spraying cleaning liquid on the exterior may cause damage.
NOTE: Attention to safety instructions is required to maintain safe operation.

CAUTION:
• Do not block the ventilation openings or holes. (If the ventilation openings or holes are blocked by a newspaper or cloth, etc., the heat may not be able to get out.)
• Do not place any naked flame sources, such as lighted candles, on the apparatus.
• When discarding batteries, environmental problems must be considered and local rules or laws governing the disposal of these batteries must be followed strictly.
• Do not expose this apparatus to rain, moisture, dripping or splashing and that no objects filled with liquids, such as vases, should be placed on the apparatus.

Caution: Proper Ventilation
To avoid risk of electric shock and fire and to protect from damage, locate the apparatus as follows:
Front: No obstructions and open spacing.
Sides: No obstructions in 3 cm from the sides.
Top: No obstructions in 5 cm from the top.
Back: No obstructions in 15 cm from the back.
Bottom: No obstructions, place on the level surface.



Precautions
Notes on the power cord
• When you are away on travel or otherwise for an extended period of time, remove the plug from the wall outlet. A small amount of power (1.0 W) is always consumed while the power cord is connected to the wall outlet.
• When unplugging the player from the wall outlet, always pull the plug, not the power cord.
• Do not handle the power cord with wet hands!
• Disconnect the power cord before cleaning the player or moving the player.
• Do not alter, twist or pull the power cord, or put anything heavy on it, which may cause fire, electric shock, or other accidents.
• If the cord is damaged, consult a dealer and have the power cord replaced with a new one.
Avoid moisture, water, dust, and high temperatures
• Do not place the player in moist or dusty places.
• If water gets inside the player, turn off the power and remove the plug from the wall outlet, then consult your dealer. Using the player in this state may cause a fire or electrical shock.
• Do not expose the player to direct sunlight or place it near a heating device.

Notes on installation
• Select a place which is level, dry and neither too hot nor too cold between 5°C and 35°C.
• Leave sufficient distance between the player and the TV.
• Do not install the player in a place subject to vibrations.
• Do not put heavy objects on the player.

To prevent malfunction of the player
• There are no user-serviceable parts inside. If anything goes wrong, unplug the power cord and consult your dealer.
• Do not insert any metallic objects, such as wires, hairpins, coins, etc. into the player.
• Do not block the vents. Blocking the vents may damage the player.

To clean the cabinet
• Use a soft cloth. Follow the relevant instructions on the use of chemically-coated cloths.
• Do not use benzene, thinner or other organic solvents and disinfectants. These may cause deformation or discoloring.

Playable discs
• DVD VIDEO, Audio CD, Video CD, SVCD
• DVD-R/RW written in the DVD VIDEO format
• CD-R/RW written in the SVCD, Video CD or Audio CD format
• CD-R/RW written in MP3/JPEG in accordance with the "ISO 9660" format
Supported Digital audio formats:
Linear PCM, MPEG Multichannel, Dolby Digital, DTS (Digital Theater Systems)
NOTES
• If a disc gets dirty, scratched or warped, or due to the disc characteristics or recording conditions, the player may not be able to play back such discs.
• The player can play back audio signals recorded in MIX-MODE CD, CD-G, CD-EXTRA and CD TEXT.
• With some discs, operations may not be possible.
• To play back DTS-encoded DVD VIDEO or DTS-encoded Audio CD discs correctly, connect the player to an amplifier with a built-in DTS decoder. Otherwise, playback sound will be distorted.
Unplayable discs
If you try to play back discs listed below, noise may be generated and causes damage to speakers.
• DVD-RW written in the VR format
• DVD-ROM, DVD-RAM, DVD AUDIO, CD-ROM, PHOTO CD, SACD
• Unfinalized discs
• Discs of irregular shape or discs with tape, seals or paste on either the label side or playback side.
Playing back these discs may damage the player.

The Non-DVD side of a "DualDisc" does not comply with the "Compact Disc Digital Audio" standard. Therefore, the use of Non-DVD side of a DualDisc on this product may not be recommended.

Connections
Before making connections:
• Do not connect the AC power cord until all other connections have been made.
• Connect VIDEO OUT of the player directly to the video input of your TV. Connecting VIDEO OUT of the player to a TV via a VCR/an integrated TV/Video system may cause a monitor problem.
Basic Connection
NOTES
• Set the correct color system according to the color system your TV supports. (See "COLOUR SYSTEM" in "Initial settings.")
• If your TV has a monaural audio input instead of stereo, use an optional audio cable which converts stereo audio output to monaural.
• If your TV is a HDTV or HD-ready TV, you can connect with component (Y, Pb, Pr) jacks. By connecting with component (Y, Pb, Pr) jacks, you can select the progressive scanning mode which provides the best picture quality.
• The S-VIDEO jack and the component (Y, Pb, Pr) jacks cannot be used at the same time. When using the S-VIDEO jack, do not connect the component (Y, Pb, Pr) jacks with the player.

Connecting to a TV with component jacks
About the scanning mode indicator
[PICTURE SOURCE] of the PICTURE menu

Picture Source	Film source	Video source
AUTO	[DDP]	[P]
FILM	[DDP]	[DDP]
VIDEO(NORMAL)/(ACTIVE)	[P]	[P]

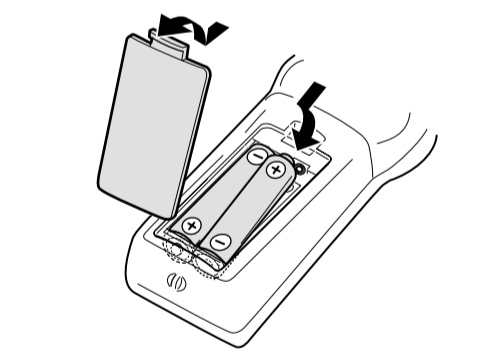
NOTE
Some progressive TV and High-Definition TV sets are not fully compatible with the player. To check the compatibility of your TV, contact your local JVC customer service center.

NOTES
• Connect "Y" to "Y," "Pb" to "Pb(Cb)," "Pr" to "Pr(Cr)" correctly.
• When using the component (Y, Pb, Pr) jacks, do not connect the S-VIDEO jack with the player.

Turning on the power

Inserting the AC power plug
After all other connections have been made, insert the AC power plug to the wall outlet firmly.

Installing the batteries in the remote control
Open the compartment cover, and place the two supplied R6(SUM-3)/AA(15F) batteries in the remote control according to the polarity markings ("+" and "-") inside the compartment. Then replace the cover.



The batteries will last about six months with normal use. If the functions of the remote control become erratic, replace the batteries.

Precautions of the safe use of batteries
Observe the following precautions for the safe use of batteries. If they are used improperly their lives will be shortened, they may burst or their contents may leak.
• Remove the batteries from the remote control if it is not going to be used for a long period of time.
• Remove dead batteries and dispose of them properly.
• Never leave dead batteries lying around, take them apart, mix them with other refuse, or throw them into an incinerator.
• Never touch liquid that has leaked out of a battery.
• Do not mix new and old batteries, or batteries of different types, when placing them.

Turning on and off the player

Press **STANDBY/ON**.

Initial setup

When you turn on the player for the first time after purchase, the following message appears on the TV screen.

EXECUTE DVD PLAYER SETUP?- BASIC PICTURE/AUDIO SETTING
YES - PRESS ENTER NO - PRESS CANCEL

Before enjoying this player, make the initial settings as follows:
1 Press **ENTER**.

2 Press **▲/▼** to select the on-screen language for the preference displays, etc., then press **ENTER**.

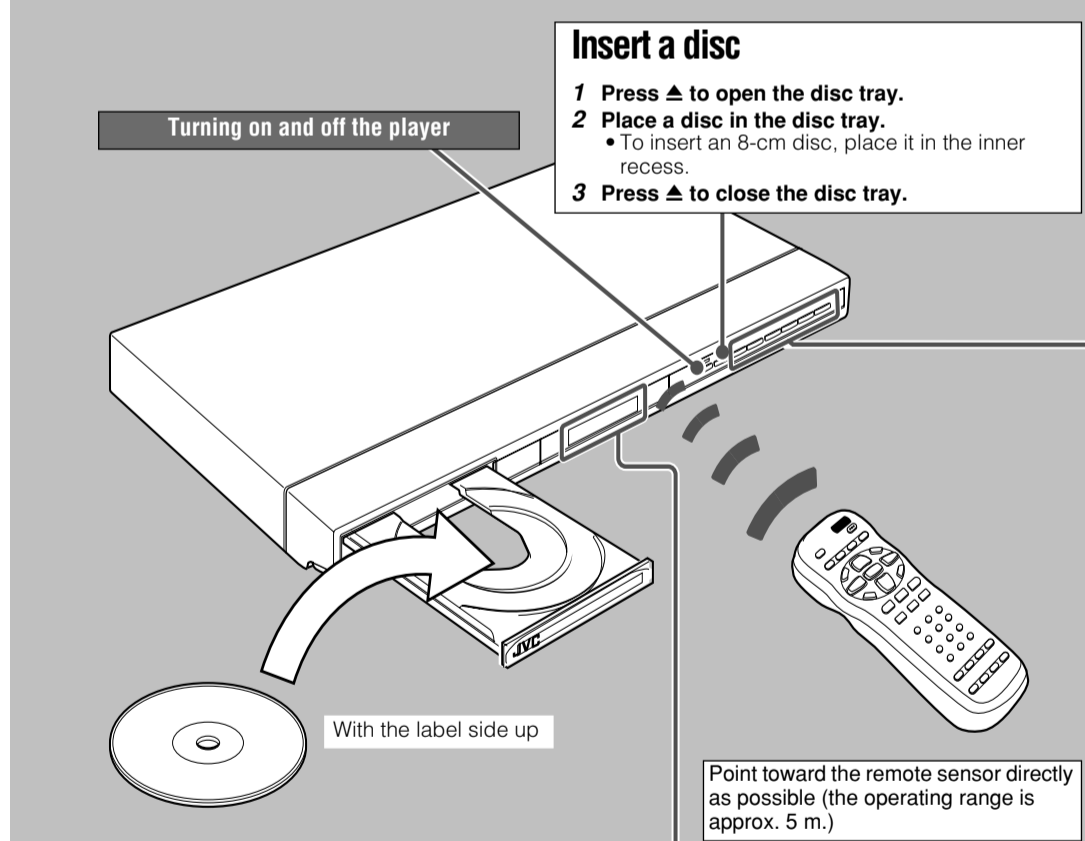
3 Press **▲/▼** to select the monitor type, then press **ENTER**.

4 Press **▲/▼** to select a desired digital output signal type, then press **ENTER**.

Set this item correctly according to the logo on your receiver or decoder.
• Receiver/decoder bearing Dolby Digital logo and no DTS, select "DOLBY DIGITAL/PCM."
• Receiver/decoder bearing both Dolby Digital and DTS logos, select "STREAM/PCM."
• Receiver/decoder bearing neither Dolby Digital nor DTS logo, or digital recorder, select "PCM ONLY."

To bring up the DVD PLAYER SETUP display later
Press **SET UP** for a few seconds until the DVD PLAYER SETUP display appears.

Basic Operations



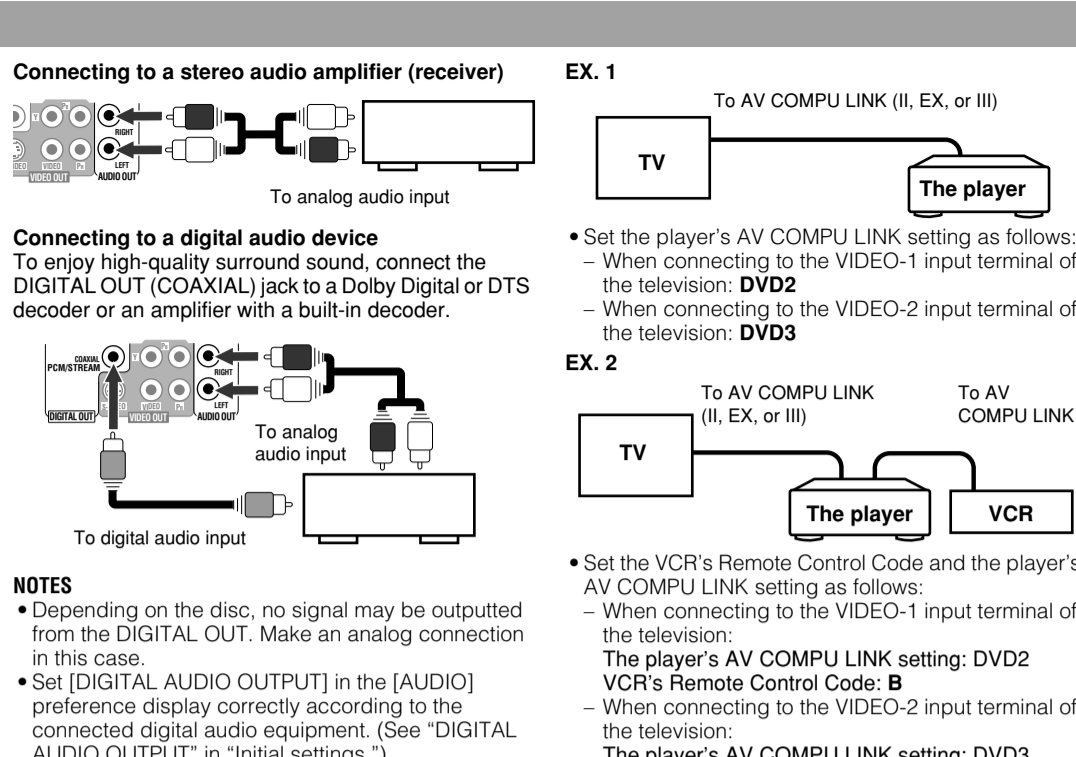
About On-screen guide icons
▶: Playback.
⏸: Pause.
⏮: Slow-motion playback with the current speed.
⏭: Fast forward/backward playback with the current speed.
📺: At the beginning of a scene containing multi-angle views.
🔊: At the beginning of a scene containing multi-audio sounds.
📄: At the beginning of a scene containing multi-subtitles.
You can change the setting so that the on-screen guide icons do not appear on the TV screen. (See "ON SCREEN GUIDE" in "Initial settings.")

Turning on and off the player
Open/close the disc tray
Basic playback
Buttons To do
▶: Start/resume normal Playback
■: Stop
• When RESUME is ON or DISC RESUME, this player memorizes the position on the disc where you interrupted playback.
- To resume playback, press ▶.
- To stop playback completely, press ■ again.
⏸: Pause
• Each time you press **II** on the remote control, the still picture advances to the next frame.
⏭/⏮: Fast forward/backward (While paused)
Slow-motion playback
• Each time you press the button, the playback speed changes.
⏭/⏮: Skip chapter/track
• If you press and hold the button during playback, playback is advanced/reversed at 5 times normal speed.
VARIABLE PLAYBACK (For DVD Video)
The disc is played back at about 1.2 or 1.5 times (FAST)/0.8 or 0.6 times (SLOW) normal speed. The sound is not muted, and the subtitle does not go off (except for DTS). (For SVCD/VCD)
The disc is played back at about 2 times (FAST)/0.5 times (SLOW) normal speed.
(Only for DVD Video)
The playback position moves back 10 seconds before the current position (only within the same title).
▶ **II** on the player starts/pauses playback.

Changing the display brightness
Press **DIMMER** to change the brightness of the display window.

Changing the language, sound and scene angle
Each time you press **DISPLAY**, the display window contents changes.
Locating the beginning of a scene or song
You can select a title/chapter/track directly and start playback. For DVD Video: (While stopped) select title. (While playing back) select chapter. For SVCD/VCD/CD: Select track.
To select 5: press 5.
To select 23: press 2, then 3.
To select 40: press 4, then 0.
• If you press **TITLE/GROUP** before entering the number, you can select the title instead of the chapter.
Using the disc menu
You can operate a disc—SVCD/VCD with PlayBack Control* (PBC)—using the disc menu shown on the TV screen.
* A method of controlling disc play for SVCD/VCD by using the disc menu.

For DVD
1 Press **TOP MENU** or **MENU** to show the disc menu.
2 Press **▲/▼/◀/▶** to select a desired item, then press **ENTER** or **▶** (SELECT).
• With some discs, you can also select items by entering the number using the numeric buttons.
For SVCD/VCD
1 While stopped, press **TOP MENU** or **▶** (SELECT) to show the menu.
2 Press the numeric buttons to select a desired item.
To select 5: press 5.
To select 23: press 2, then 3.
To select 40: press 4, then 0.
• To move to the next or previous page of the current menu, press **▶|** or **◀|**.
• To return to the previous menu, press **RETURN**.
To play back without PBC
While stopped, press the numeric buttons instead of **▶** (SELECT) to start playback.
To reactivate PBC
• Press **TOP MENU** or **MENU**.
• Press **■** to stop playback, then **▶** (SELECT).



Using the AV COMPU LINK system
The AV COMPU LINK system allows you to enjoy video and/or audio by simply pressing Play on the source component (the component which plays back the video or audio, such as a DVD player or VCR). You do not even have to switch on power on the TV or receiver.

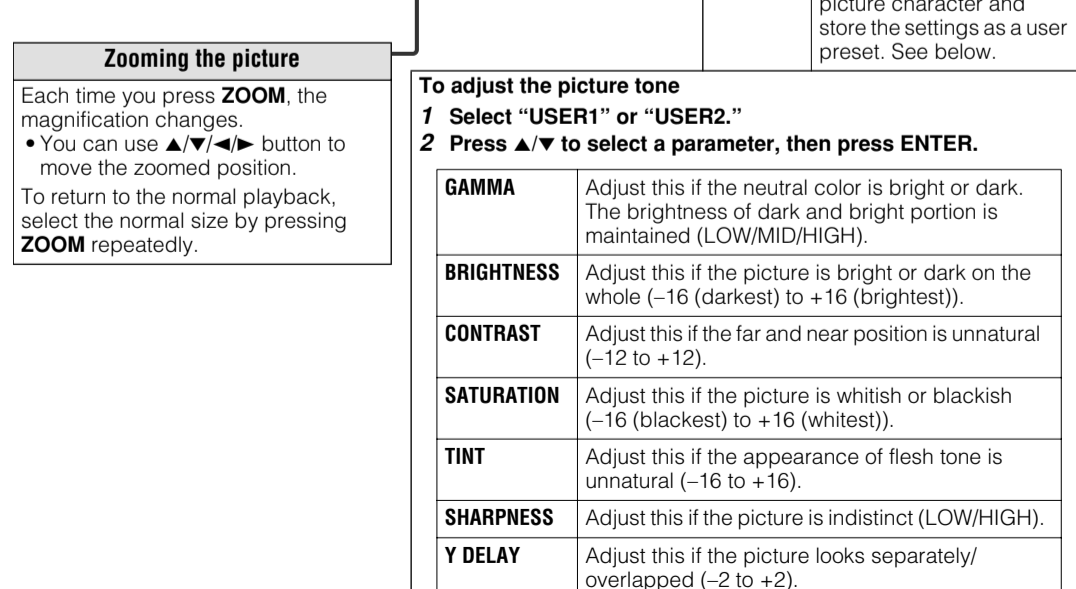
Connection and setup
Using an AV COMPU LINK cable, connect the AV COMPU LINK terminals of each component to one another.
• The player's AV COMPU LINK setting is controlled using the OTHERS menu in the preference display. See "AV COMPU LINK MODE" in "Initial settings."
• See also the instruction manual of the other device.

Advanced Operations

Changing the picture tone (VFP)
The VFP (Video Fine Processor) function allows you to adjust the picture character according to the type of programming, picture tone or personal preferences.
1 Press **VFP-I/P**.
2 Press **◀/▶** to select the desired preset.

Changing the language, sound and scene angle
1 Press the button.
2 Press the button repeatedly or **▲/▼** to select the desired item.
3 Press **ENTER** to finish the setting.

Changing the Sound Field
Each time you press **SOUND EFFECT**, the Sound Effect mode changes.
• As the value becomes bigger, the Sound Effect works stronger.



To adjust the picture tone
1 Select "USER1" or "USER2."
2 Press **▲/▼** to select a parameter, then press **ENTER**.

Parameter	Adjustment
GAMMA	Adjust this if the neutral color is bright or dark. The brightness of dark and bright portion is maintained (LOW/MID/HIGH).
BRIGHTNESS	Adjust this if the picture is bright or dark on the whole (-16 (darkest) to +16 (brightest)).
CONTRAST	Adjust this if the far and near position is unnatural (-12 to +12).
SATURATION	Adjust this if the picture is whitish or blackish (-16 (blackest) to +16 (whitest)).
TINT	Adjust this if the appearance of flesh tone is unnatural (-16 to +16).
SHARPNESS	Adjust this if the picture is indistinct (LOW/HIGH).
Y DELAY	Adjust this if the picture looks separately/ overlapped (-2 to +2).

3 Press **▲/▼** to adjust the parameter, then press **ENTER**.
4 Repeat step 2 and 3 to adjust other parameters.
5 Press **VFP-I/P** to finish the setting.

