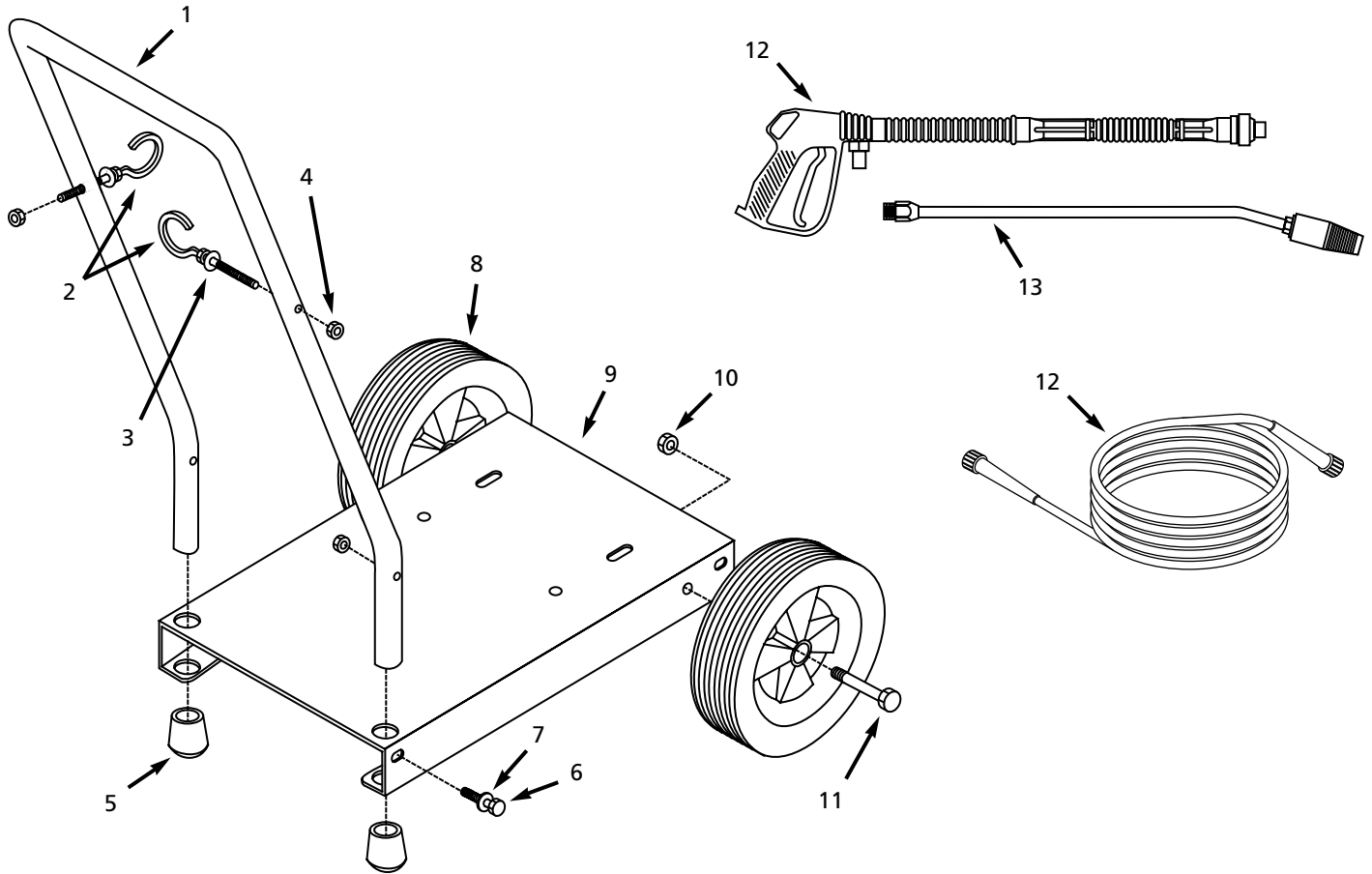




Gasoline Powered Pressure Washers

Replacement Parts List

Model PW1950

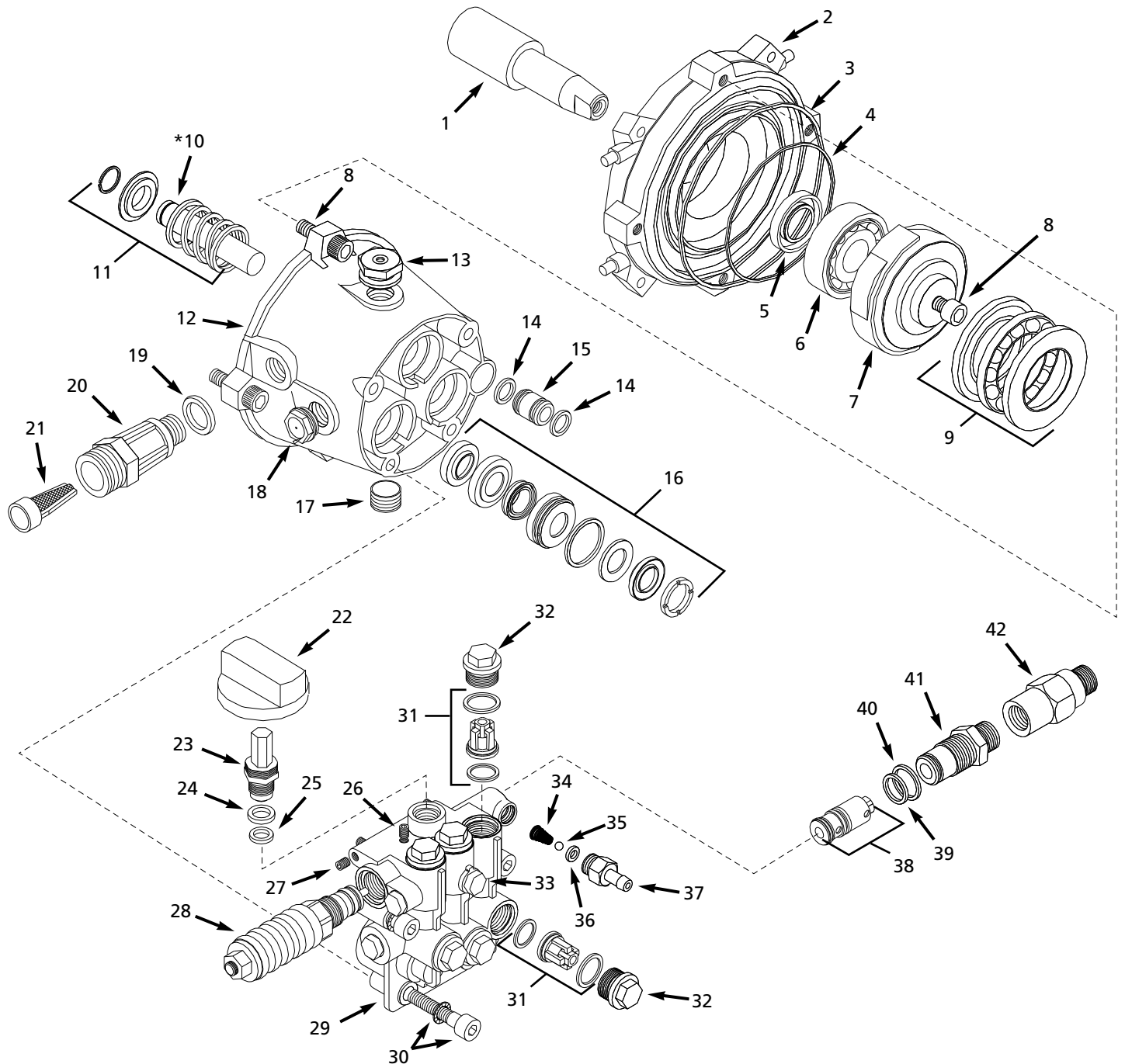


Cart Assembly for Model PW1950

Ref. No.	Description	Part Number	Qty.
1	Handle	PM003100AV	1
2	Wand rack kit [incl. (2) ea. items 3 & 4]	PW070300SV	1
3	Washer	AL101600AV	2
4	1/4-20 Elastic stop nut	*	4
5	Rubber foot	PM003000AV	2
6	1/4-20 x 1 1/4" Hex bolt	*	2
7	1/4" Black flat washer	*	2
8	Wheel	PM030300AV	2
9	Base plate	PM000100AV	1
10	Hex lock nut	ST033500AV	2
11	Axle bolt	ST033400AV	2
12	Gun	PM021600AV	1
13	Lance/Nozzle	PM021500AV	1
14	High pressure hose	PM021700AV	1

* Indicates Std. hardware

Pump Assembly for Gasoline Powered Pressure Washers



*Item 10 not included with item 11

For Replacement Parts, call 1-800-330-0712

Please provide following information:

- Model number
- Serial number (if any)
- Part descriptions and number as shown in parts list

Address parts correspondence to:

Campbell Hausfeld
100 Production Drive
Harrison, OH 45030

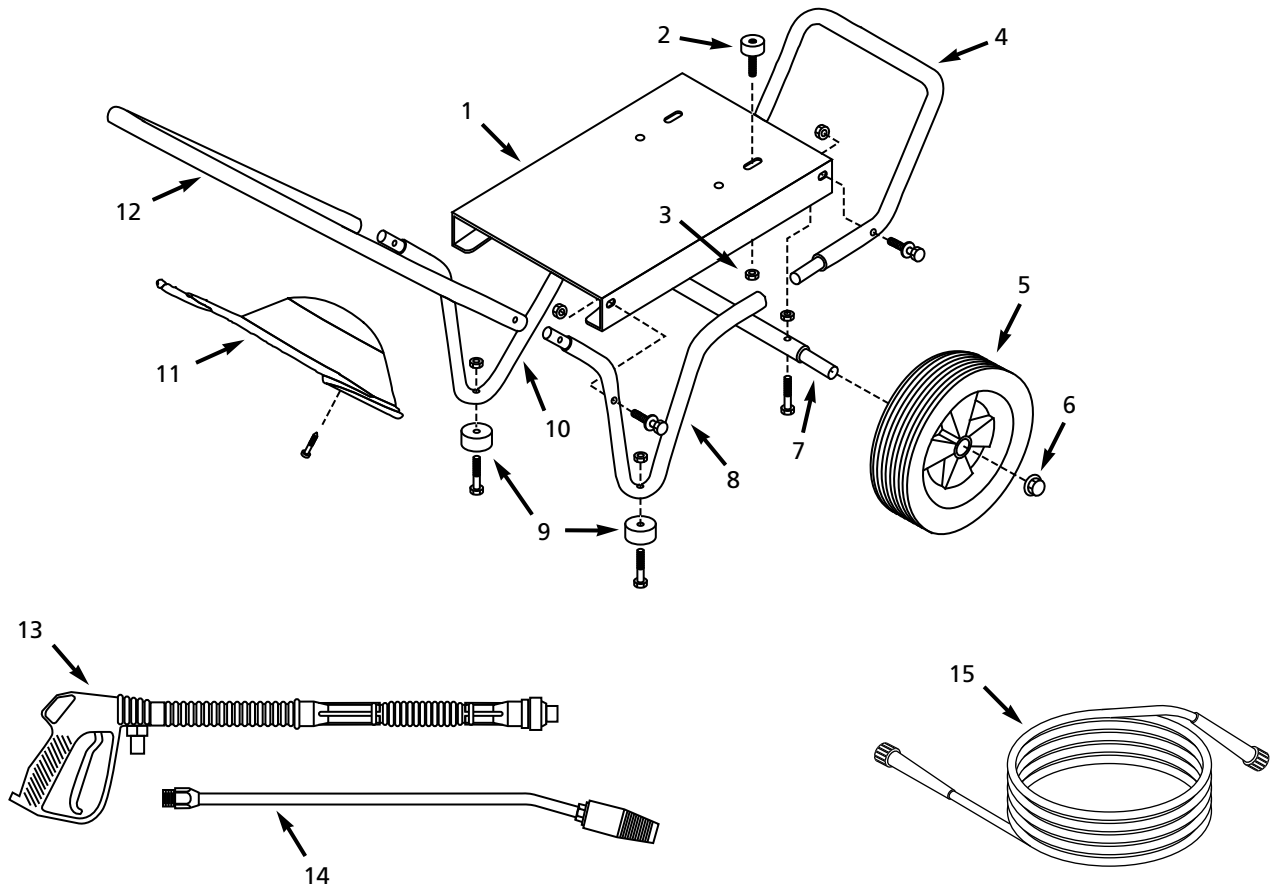
Ref. No.	Description	Part Number	Qty
1	Engine connector shaft	▲	1
2	Front motor flange	▲	1
3	Outer flange o-ring	PM011600AV	1
4	Inner flange o-ring	PM008600SV	1
5	Seal ring	▲	1
6	Oblique ball bearing	▲	1
7	Incline plate	PM017900AV	1
8	M8 x 25 Screw	PM022700AV	5
9	Thrust ball bearing assembly	PM025700AV	1
10	Piston	PM026000AV	3
11	Piston spring kit (does not include #10)	PM027700SV	3
12	Piston guide body	PM026300AV	1
13	Vented oil cap	PM009900SV	1
14	O-ring	PM006900SV	2
15	Head body connective sleeve	PM026500AV	1
16	Water seal kit (incl. set of 3)	PM029700SV	1
17	3/8" Setscrew	PM027400AV	1
18	Oil level sight glass	PM029400AV	1
19	O-ring	PM029500AV	1
20	Inlet fitting	PM029600AV	1
21	Inlet filter	PM002500AV	1
22	Pressure regulator knob	PM027600AV	1
23	Pressure regulator	PM024700AV	1
24	Regulation rod seat	PM026900AV	1
25	O-ring	PM026800AV	1
26	M6 x 8 Setscrew	PM026700AV	2
27	M5 x 5 Setscrew	PM026600AV	2
28	Regulation rod	PM028600AV	1
29	Brass head	PM028500AV	1
30	M8 x 40 screw and lockwasher	PM028400AV	4
31	Inlet/Outlet valve kit (incl. set of 6)	PM028000SV	1
32	Valve cap	PM027300AV	6
33	Bleeder screw	PM028300AV	1
34	Chemical suction spring	PM024400AV	1
35	Stainless steel ball	PM008100SV	1
36	Detergent fitting o-ring	PM027500AV	1
37	Detergent hose fitting	PM008200SV	1
38	Unloader for Model PW1950	PM028200AV	1
	Unloader for Model PW2250	PM028201SV	1
39	O-ring	PM028100AV	1
40	O-ring	PM007700SV	1
41	Unloader support	PM027900AV	1
42	High pressure hose fitting	PM027800AV	1
43	Complete pump assembly for Model PW1950	PM021400AV	1
44	Complete pump assembly for Model PW2250	PM021401SV	1

▲ Must be replaced only by authorized service center

Gasoline Powered Pressure Washers

Replacement Parts List

Model PW2250



Cart Assembly for Model PW2250

Ref. No.	Description	Part Number	Qty.
1	Cart base	PM000100AV	1
2	Iso mount	PM003700AV	4
3	5/16-18 Nut	*	4
4	Short handle assy. [incl. nuts, bolts, & washers]	PW071200SV	1
5	Wheel	WA120100AV	2
6	Pal nut kit [incl. (2) pal nuts]	PW070000SV	1
7	Axle assy. [incl. (2) pal nuts, bolts & nuts]	PW071100SV	1
8	Right leg assy. [incl. nuts, bolts, washers & shock absorber]	PW070900SV	1
9	Shock absorber kit [incl. (2) 1/4-20 x 1 1/2" bolts & nuts]	PW070100SV	1
10	Left leg assy. [incl. nuts, bolts, washers & shock absorber]	PW071000SV	1
11	Hose rack assy. [incl. (4) #10 sheet metal screws]	PW070200SV	1
12	Long handle assy. [incl. nuts, bolts & washers]	PW070800SV	1
13	Gun	PM021600AV	1
14	Lance/nozzle	PM021500AV	1
15	High pressure hose	PM021700AV	1
16	Hardware kit - <i>Not Shown</i> [incl. all nuts & bolts]	PW070400SV	1

● All nuts are 1/4-20 and all bolts are 1/4-20 x 1 3/4 unless specified otherwise

* Indicates Std. hardware