

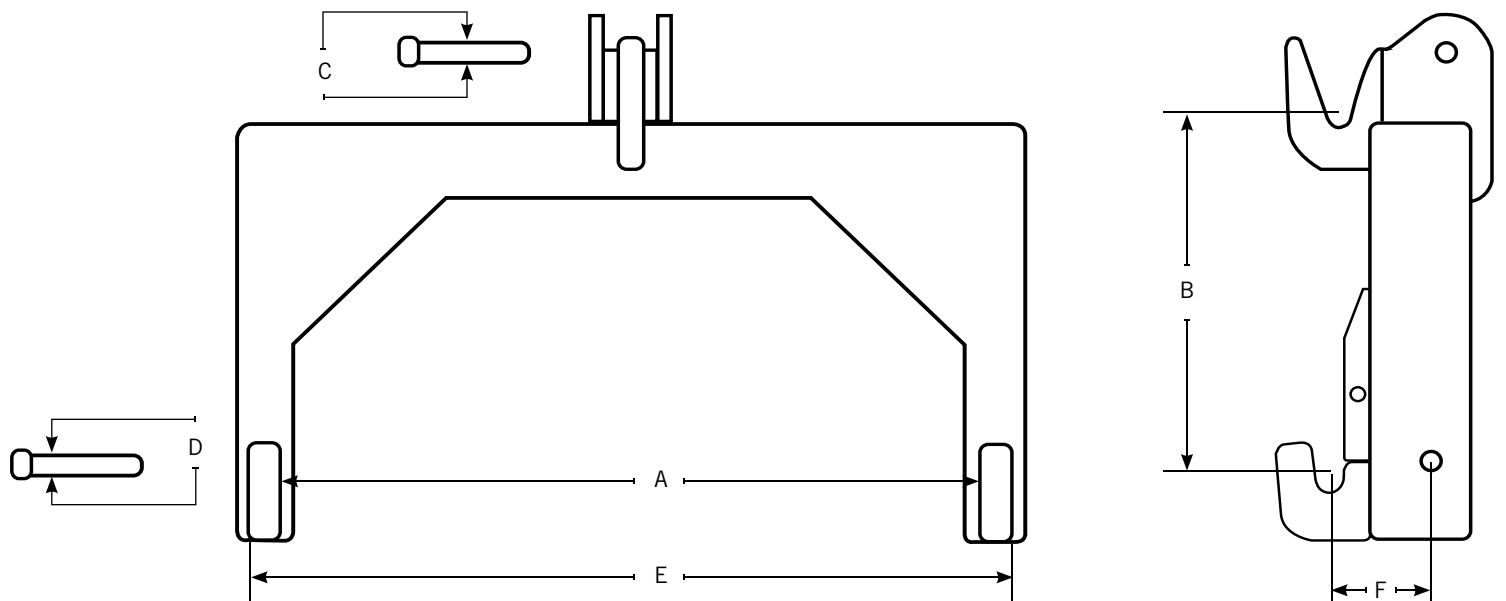
bühler





Buhler Quick Hitches :: fast and convenient con

CATEGORY-QUICK HITCH	A	B	C	D	E	F	CONSTRUCTION
Category I	27 1/4"	14 13/16"	3/4"	7/8"	29 3/4"	3 7/8"	3" x 3" x 1/4" tube
Category II	32 3/4"	15"	1"	1 1/8"	36 3/4"	5 3/16"	4" x 4" x 3/8" tube
Category III	38 1/2"	18 3/8"	1 1/4"	1 7/16"	43"	5 1/32"	4" x 4" x 3/8" tube
Category II / Category III	38 1/2"	18 5/8"	1"	1 1/8"	43"	5 1/32"	4" x 4" x 3/8" tube
Category IVN	38 3/8"	26 7/8"	1 3/4"	2"	43 3/8"	6 1/2"	6" x 6" x 3/8" tube



Quick Hitch ASAE standard

The American Society of Agricultural Engineers developed quick hitch Categories. Buhler Quick Hitches are designed to match the existing hitch pins on the implements. Category I is designed for compact implements and Categories II-III are designed for larger farm tractors and implements that experience greater loads. Category IVN is designed for large 4WD articulated tractors.



Connection of 3-point implements

One tractor, many attachments

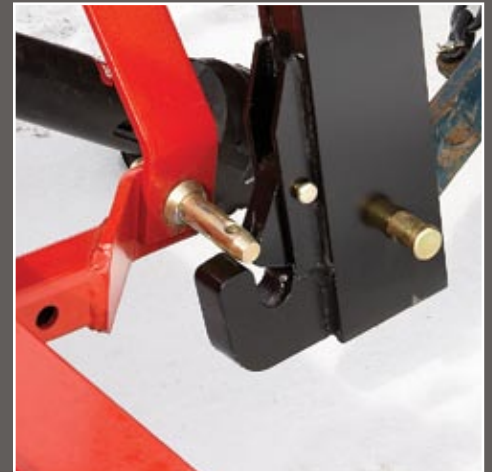
The best part about owning a tractor is putting it to good use. Regardless of the size of your tractor, a number of implements are available to maximize the usefulness of your machine. Whether you have a compact utility tractor or a large four-wheel-drive, the 3-point hitch can be matched to various types of mowers, tillers, rear blades, box scrapers, cultivators and rakes to turn any tractor into a multi-purpose farming tool.

The problem

Mounting 3-point hitch implements can be time consuming. Your tractor must be aligned almost perfectly with the implement, which often takes several attempts. Hooking up the hitch pins and adjusting the sway links takes time and several trips back and forth from the driver's seat.

The solution

A Buhler Quick Hitch can make light work of hooking up implements to the 3-point hitch. Attach the quick hitch to your tractor's 3-point hitch just like you'd hook up a piece of equipment. Once the sway links are set they don't have to be adjusted again, and the quick hitch can be left on your tractor all the time. With the quick hitch attached, it's easy to hook up all sorts of equipment – simply pull open the lock on the quick hitch, back up to the equipment and lift it. Lower the handles into place, hook up the PTO or hydraulics, if required, and you're ready to get some work done. The quick hitch is a faster method of attaching an implement to the tractor because it allows you to back up to the implement, lift it, and it's ready to go. Every time!

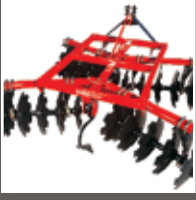


Easy attachment of implements

Hooking up the implement from the comforts of the tractor cab just got a lot easier. Just line up the quick hitch to the implement, back up and lift into place.



Buhler Manufacturing maintains technical staff and facilities which focus on agriculture and compact equipment, including discs, box scrapers, blades and mowers. Products have undergone extensive research, field endurance and lab testing. This attention to detail ensures that products you buy from Buhler Manufacturing will be durable and reliable for years to come.



bühler

301 Mountain Street South

Morden :: Manitoba Canada R6M 1X7

Ph.: 204.822.4467 :: Fax: 204.822.6348

Toll Free: 1.888.524.1004

E-mail: info@buhler.com

www.buhler.com

TSX:BUI

Equipment shown is subject to change without notice. ©2007 Buhler Industries. Printed in Canada.
Ref: 012007-3000-PG

www.buhler.com