



D108S INSTRUCTION MANUAL

Contents

Warnings & Precautions	2
Important Safety Instructions.....	3
In the Box & Features.....	4
Powering the Unit	5
Using the Video/Audio Output	6
Playing a DVD or CD and Viewing a Photo Slideshow	7
Programming a DVD or CD	8
Using the Coaxial Output.....	9
Controls & Definitions	10-14
The Setup Menu	15
Service Information.....	16

Warnings and Precautions

TO PREVENT FIRE OR SHOCK HAZARDS, DO NOT EXPOSE THIS UNIT TO RAIN OR MOISTURE.



This symbol, located on back or bottom of the unit, is intended to alert the user to the presence of uninsulated “dangerous voltage” within the product’s enclosure that may be of sufficient magnitude to constitute a risk of electric shock to persons.



This symbol, located on back or bottom of the unit, is intended to alert the user to the presence of important operating and maintenance (servicing) instructions in the literature accompanying the appliance.



This product utilizes a Class 1 laser to read Compact Discs. This laser Compact Disc Player is equipped with safety switches to avoid exposure when the CD door is open and the safety interlocks are defeated. Invisible laser radiation is present when the CD Player’s lid is open and the system’s interlock has failed or been defeated. It is very important that you avoid direct exposure to the laser beam at all times. Please do not attempt to defeat or bypass the safety switches.

CAUTION: TO PREVENT ELECTRIC SHOCK, MATCH WIDE BLADE OF PLUG TO WIDE SLOT, FULLY INSERT.

To reduce the risk of electric shock, do not remove cover (or back). There are no user-serviceable parts inside. Please refer any servicing to qualified service personnel.

WARNING: Changes or modifications to this unit not expressly approved by the party responsible for compliance could void the user’s authority to operate the equipment.

WARNING: Danger of explosion if the remote control’s batteries are incorrectly installed. Replace only with the same or equivalent battery.

WARNING: Use of this unit near fluorescent lighting may cause interference regarding use of the remote. If the unit is displaying erratic behavior move away from any fluorescent lighting, as it may be the cause.

Do not mix old and new batteries.
Do not mix alkaline, standard (carbon-zinc), or rechargeable (ni-cad, ni-mh, etc) batteries.

NOTE: This equipment has been tested and found to comply with the limits for a Class B digital device, pursuant to Part 15 of the FCC Rules. These limits are designed to provide reasonable protection against harmful interference in a residential installation. This equipment generates, uses, and can radiate radio frequency energy and, if not installed and used in accordance with the instructions, may cause harmful interference to radio communications. However, there is no guarantee that interference will not occur in a particular installation. If this equipment does cause harmful interference to radio or television reception, which can be determined by turning the equipment off and on, the user is encouraged to try to correct the interference by one or more of the following measures:

- Reorient or relocate the receiving antenna.
- Increase the separation between the equipment and receiver.
- Connect the equipment into an outlet on a circuit different from that to which the receiver is connected.
- Consult the dealer or an experienced radio/TV technician for help.

Important Safety Instructions

- Read Instructions** - All the safety and operating instruction should be read before the product is operated.
- Retain Instructions** - The safety and operating instruction should be retained for future reference.
- Heed Warnings** - All warning on the product and in the operating instructions should be adhered to.
- Follow instructions** - All operating and use instructions should be followed.
- Cleaning** - Unplug this product from the wall outlet before cleaning. Do not use liquid cleaners or aerosol cleaners. Clean only with a dry cloth.
- Attachments** - Do not use attachments not recommended by the product manufacturer as they may cause hazards.
- Water and Moisture** - Do not use this product near water - for example, near a bath tub, wash bowl, kitchen sink, or laundry tub; in a wet basement, or near a swimming pool, and the like. The apparatus shall not be exposed to dripping or splashing and that no objects filled with liquids, such as vases, shall be placed on apparatus.
- Accessories** - Do not place this product on an unstable cart, stand tripod, bracket, or table. The product may fall, causing serious injury to a child or adult, and serious damage to the product. Use only with a cart, stand, tripod, bracket, or table recommended by the manufacturer, or sold with the product. Any mounting of the product should follow the manufacturer's instructions, and should use a mounting accessory recommended by the manufacturer.
- A product and cart combination should be moved with care. Quick stops, excessive force, and uneven surfaces may cause the appliance and cart combination to overturn.

See figure:



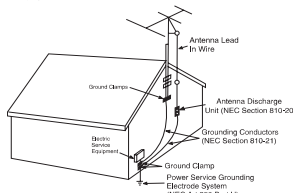
- Ventilation** - Slots and openings in the cabinet are provided for ventilation and to ensure reliable operation of the product and to protect it from overheating, and these openings must not be blocked or covered. The openings should never be blocked by placing the product on a bed, sofa, rug, or other similar surface. This product should not be placed in a built-in installation such as a bookcase or rack unless proper ventilation is provided or the manufacturer's instruction have been adhered to.
- Power Sources** - This product should be operated only from the type of power source indicated on the marking label. If you are not sure of the type of power supply to your home, consult your product dealer or local power company. For products intended to operate from battery power, or other sources, refer to the operating instruction.
- Grounding or Polarization** - This product may be equipped with a polarized alternating-current line plug (a plug having one blade wider than the other). This plug will fit into the power outlet only one way. This is a safety

feature. If you are unable to insert the plug fully into the outlet, try reversing the plug. If the plug should still fail to fit, contact your electrician to replace your obsolete outlet. Do not defeat the safety purpose of the polarized plug.

Alternate Warnings - This product is equipped with a three-wire grounding-type plug, a plug having a third (grounding) pin. This plug will only fit into a grounding-type power outlet. This is a safety feature. If you are unable to insert the plug into the outlet, contact your electrician to replace your obsolete outlet. Do not defeat the safety purpose of the grounding-type plug.

- Power-Cord Protection** - Power supply cords should be routed so that they are not likely to be walked on or pinched by items placed upon or against them, paying particular attention to cords at plugs, convenience receptacles, and point where they exit from the product.
- Protective Attachment Plug** - The product is equipped with an attachment plug having overload protection. This is a safety feature. See Instruction Manual for replacement or resetting of protective device. If replacement of the plug is required, be sure the service technician has used a replacement plug specified by the manufacturer that has the same overload protection as the original plug.
- Outdoor Antenna Grounding** - If an outside antenna is connected to the receiver, be sure the antenna system is grounded so as to provide some protection against voltage surges and built-up static charges. Article 810 of the National Electrical Code, ANSI/NFPA 70, provides information with regard to proper grounding of the mast and supporting structure, grounding of the mast and supporting structure, grounding of the lead-in wire to an antenna-discharge unit, size of grounding conductors, location of antenna-discharge unit, connection to grounding electrodes, and requirements for the grounding electrode.

See figure:

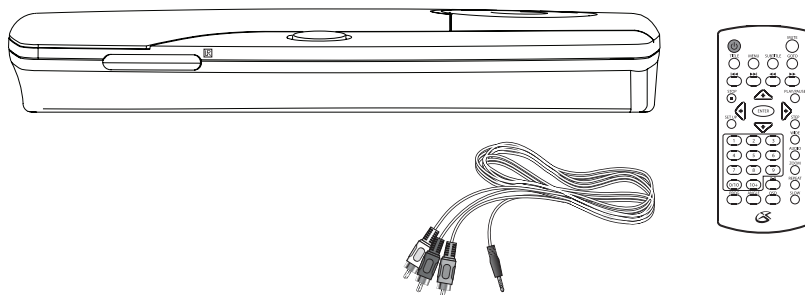


- Lightning** - For added protection for this product during a lightning storm, or when it is left unattended and unused for long periods of time, unplug it from the wall outlet and disconnect the antenna or cable system. This will prevent damage to the product due to lightning and power-line surges.
- Power Lines** - An outside antenna system should not be located in the vicinity of overhead power lines or other electric light or power circuits, or where it can fall into such power lines or circuits. When installing an outside antenna system, extreme care should be taken to keep from touching such power lines or circuits as contact with them might be fatal.
- Overloading** - Do not overload wall outlets, extension cords, or integral convenience

receptacles as this can result in a risk of fire or electric shock.

- Object and Liquid Entry** - Never push objects of any kind into this product through openings as they may touch dangerous voltage points or short-out parts that could result in a fire or electric shock. Never spill liquid of any kind on the product.
- Servicing** - Do not attempt to service this product yourself as opening or removing covers may expose you to dangerous voltage or other hazards. Refer all servicing to qualified service personnel.
- Damage Requiring Service** - Unplug this product from the wall outlet and refer servicing to qualified service personnel under the following conditions:
 - When the power-supply cord or plug is damaged,
 - If liquid has been spilled, or objects have fallen into the product,
 - If the product has been exposed to rain or water,
 - If the product does not operate normally by following the operating instructions. Adjust only those controls that are covered by the operating instructions as an improper adjustment of other controls may result in damage and will often require extensive work by a qualified technician to restore the product to its normal operation.
 - If the product has been dropped or damaged in any way, and
 - If the product exhibits a distinct change in performance - this indicates a need for service.
- Replacement Parts** - When replacement parts are required, be sure the service technician has used replacement parts specified by the manufacturer or have the same characteristics as the original part. Unauthorized substitutions may result in fire, electric shock, or other hazards.
- Safety Check** - Upon completion of any service or repairs to this product, ask the service technician to perform safety checks to determine that the product is in proper operating condition.
- Wall or Ceiling Mounting** - The product should be mounted to a wall or ceiling only as recommended by the manufacturer.
- Heat** - The product should be situated away from heat sources such as radiators, heat registers, stoves, or other products (including amplifiers) that produce heat. Battery shall not be exposed to excessive heat such as sunshine, fire, or the like.
- Main plug is used as disconnect device and it should remain readily operable during intended use. In order to disconnect the apparatus from the mains completely, the mains plug should be disconnected from the mains socket outlet completely.
- Excessive sound pressure from earphones and headphones can cause hearing loss.

In the Box



- D108S
- AV Cable
- Remote Control
- Documentation

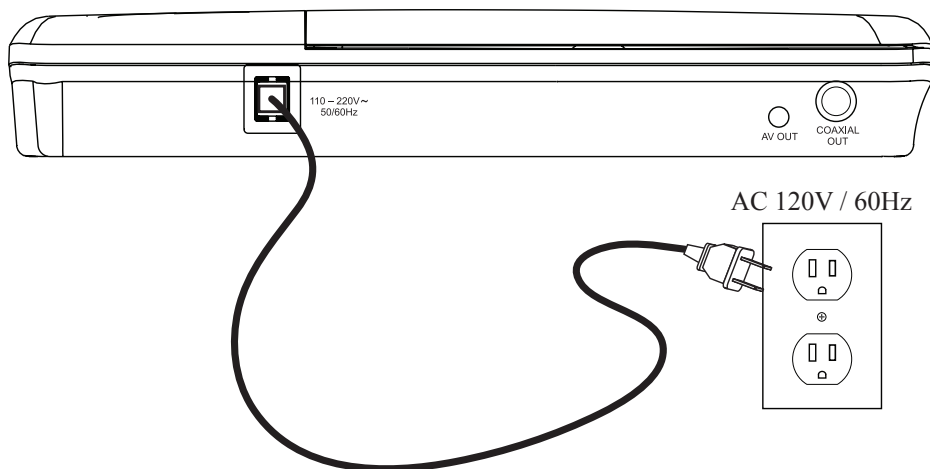
Features

- Plays DVD-R/RW, DVD+R/RW & JPEG Discs
- Plays CD/CD-R/CD-RW Audio Tracks
- Chapter / Title Search & Select
- Zoom Feature
- OSD: On-Screen Display
- Multi-Angle Play
- Still Picture & Slow Motion
- NTSC
- TV Display Aspect Ratio Conversion: Letterbox (4:3) / Wide-screen (16:9)
- Standby Power
- A/V Output Jack, 3.5mm type
- Digital Coaxial Output
- Remote Control
- Dual Voltage: 220/50Hz & 110V/60Hz
- Attached AC Line Cord
- Remote Control
- A/V Cable

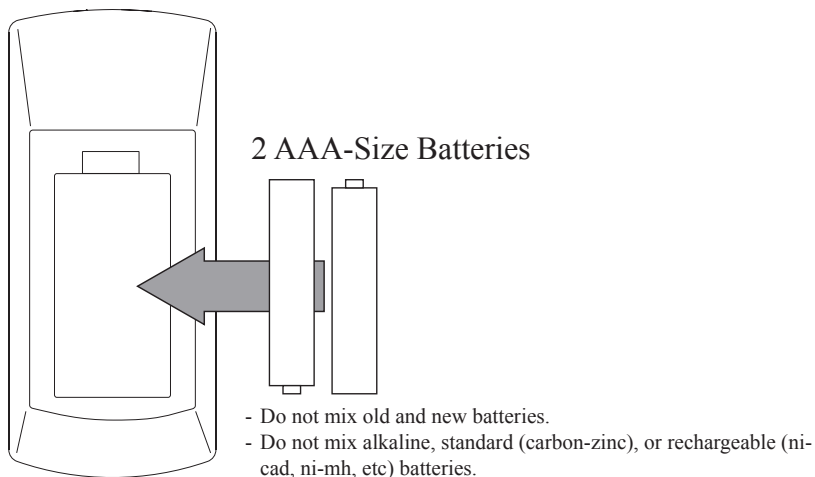
Powering the Unit

To power the unit, simply plug the attached AC cord into a standard (120V~60Hz) outlet

The Power Indicator Light will illuminate red when the power is off and green when the power is on.



Remote Batteries



Using the Video/Audio Output

When connecting two products using an RCA Cable, match the colored ports with the same colored connection. (Red to Red, White to White, and Yellow to Yellow)

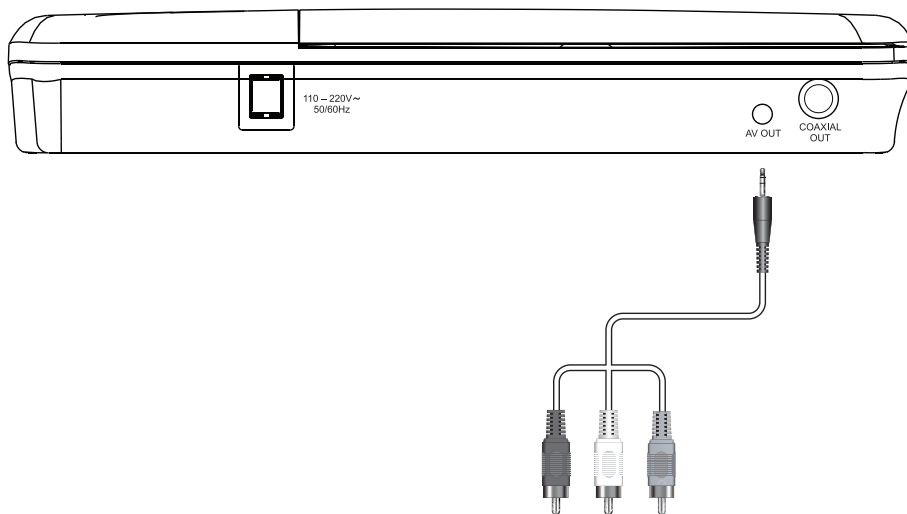
If your television is monologue, it will only have one audio input.

If your television does not have A/V input jacks, you will need to use an RF convertor or modulator to connect the unit.

1. Connect the 3.5mm - RCA Cable to the **AV Output** on the unit and the audio/video inputs on the Television.
2. Turn the unit on by pressing the **Power Button**.
3. Change the television to the correct audio/video input setting.

If you are experiencing problems while trying to adjust the input settings on your television, please contact your television's manufacturer for assistance.

4. Video played through the unit will now be seen and heard on the connected television.



Television

Playing a DVD or CD

1. Press the **Open Button** to open the DVD/CD Drive.
 2. Load a DVD or CD into the DVD/CD Drive of the unit.
*The DVD will begin to play automatically. If the DVD does not begin to play automatically, press the **Play/Pause Button**.*
 3. Press the **Play/Pause Button** to play or pause the DVD.
 4. Press the **Stop Button** to stop the DVD during play.
 5. Press the **Skip Buttons** to skip backwards or forwards through the DVD's chapters.
-

Viewing a Photo Slideshow


1. Press the **Open Button** to open the DVD/CD Drive.
 2. Load a JPEG CD or Photo CD into the DVD/CD Drive of the unit.
Note that the unit will only play jpeg images.
*The JPEG or Photo CD will begin to play automatically. If the CD does not begin to play automatically, press the **Play/Pause Button**.*
 3. Press the **Play/Pause Button** to play or pause the JPEG or Photo CD.
 4. Press the **Stop Button** to stop the JPEG or Photo CD during play.
 5. Press the **Skip Buttons** to skip backwards or forwards through separate jpegs on a JPEG or Photo CD.
-

Note: When viewing JPEGs, the zoom feature will not work.

Programming a DVD or CD

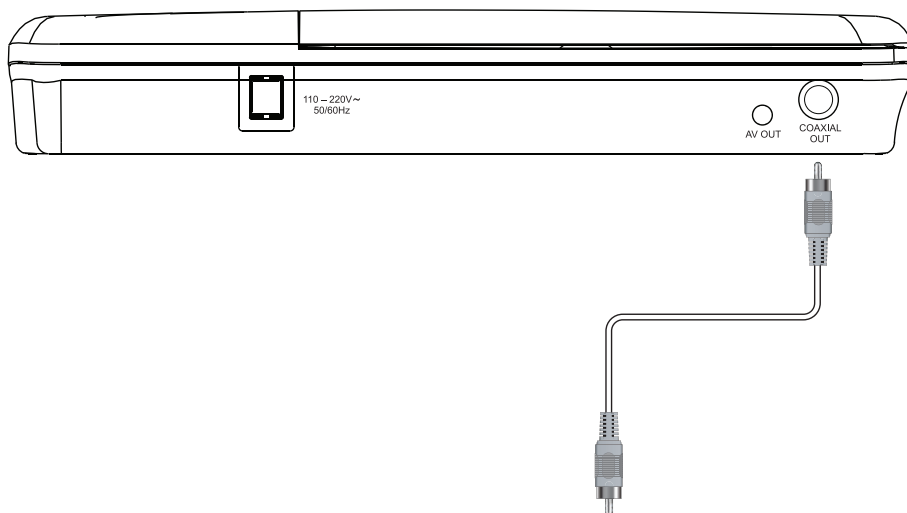
1. Insert a DVD or CD into the unit.
 2. After the DVD or CD is inserted and loaded, press the **Program Button** on the remote control to display the Program Menu.
 3. Use the **Directional Buttons** to move through the different program slots.
 4. Highlight a slot and enter a Title (TT) number and Chapter (CH) number using the **Enter Button** and **Number Keypad** on the remote control. Repeat steps 3 and 4 until the desired titles and chapters are programmed.
 5. Highlight *Start* in the main menu and press the **Enter Button** to begin playing the programmed titles and chapters.
-

Programming a CD

1	Tt: ch:	6	Tt: ch:
2	Tt: ch:	7	Tt: ch:
3	Tt: ch:	8	Tt: ch:
4	Tt: ch:	9	Tt: ch:
5	Tt: ch:	10	Tt: ch:
Exit	Start	Next	

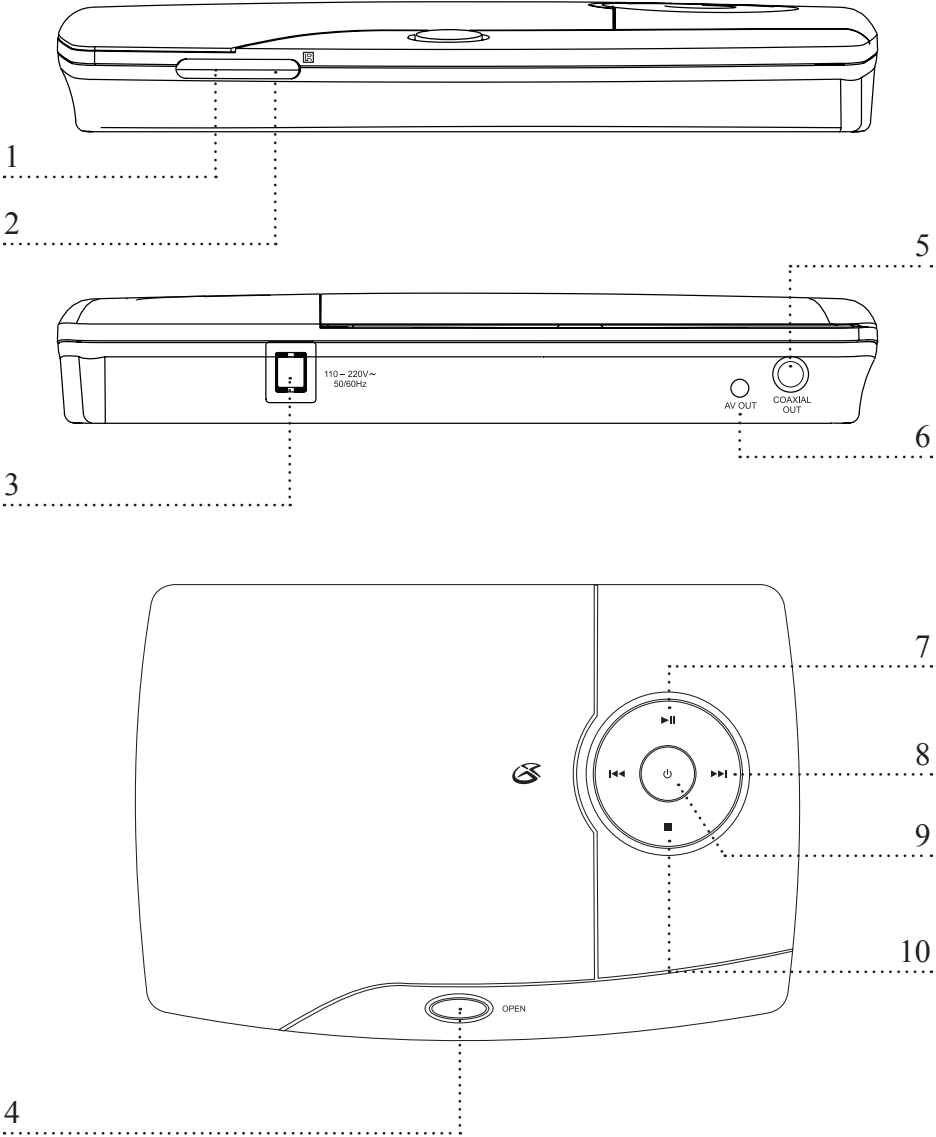
Using the Coaxial Output

1. Connect a coaxial cable (not included) to the **Coaxial Output** on the unit and the coaxial audio input on a surround sound system.
2. Turn the unit on by pressing the **Power Button**.
3. Change the stereo system to the correct audio input setting.
4. Audio played through the unit will now be heard on the connected television or stereo system.



Surround Sound System

Location of Controls



Control Definitions

1 Power Indicator Light

The Power Indicator Light will illuminate red when the power is off and green when the power is on.

2 Infrared Receiver

The Infrared Receiver receives signals sent from the unit's remote control

Please note, this unit is not compatible with Universal Remote Controls.

3 AC Cord

Use the AC Cord to power the unit by plugging it into a standard 120V~60Hz AC Outlet.

4 Open Button

Press the Open Button to open the DVD/CD Door.

5 Coaxial Output

The Coaxial Output is an advanced audio output which allows a digital audio signal to be sent to a surround sound receiver for multichannel and surround sound audio.

6 AV Output

Use the AV Output to send a composite video and an audio signal to the connected television.

7 Play/Pause Button

Press the Play/Pause Button to play or pause a DVD/CD.

8 Skip Buttons

Press the Skip Buttons to skip through a DVD's chapters or a CD's tracks.

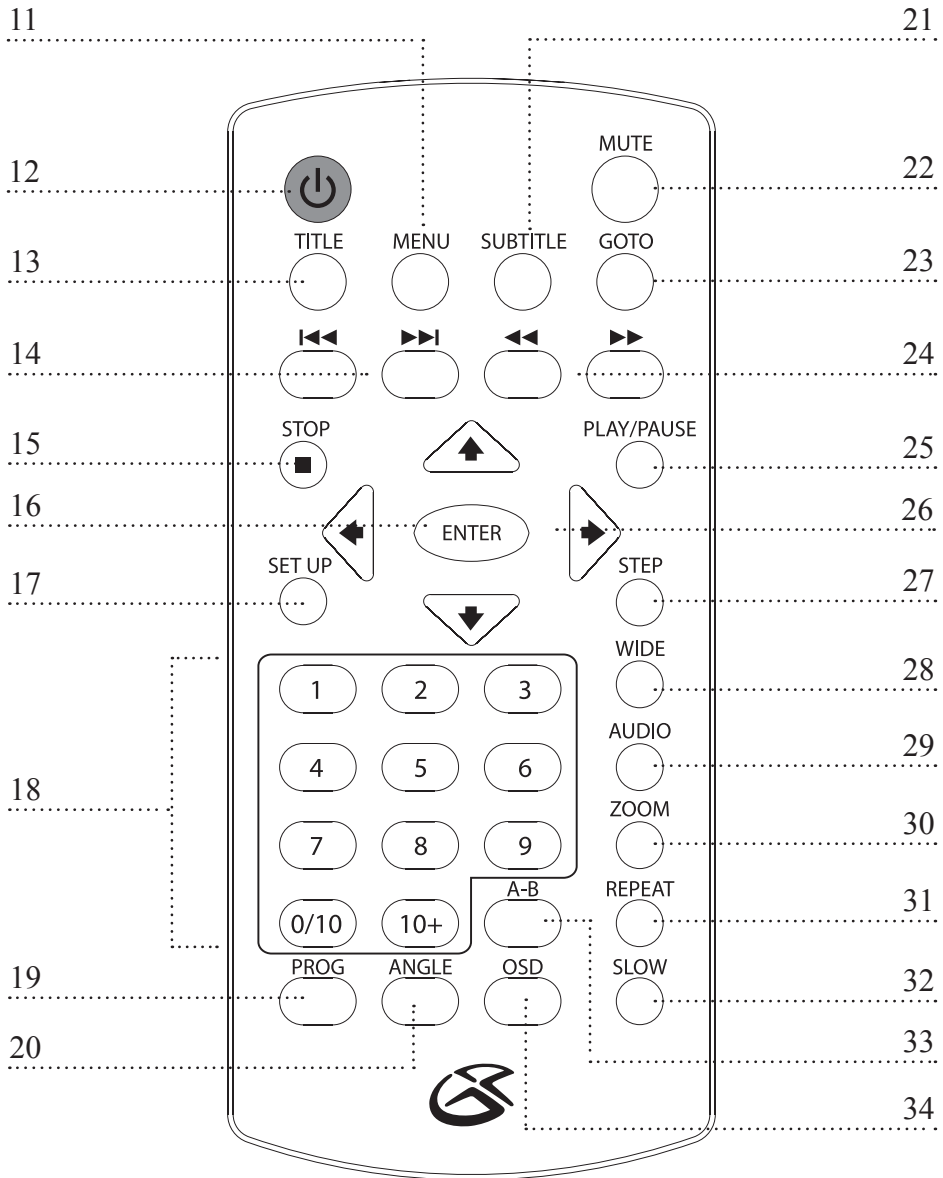
9 Power Button

Press the Power Button to turn the unit off or on.

10 Stop Button

Press the Stop Button to stop a DVD or CD during play.

Location of Controls



Control Definitions

- 11 Menu Button**
Press the Menu Button in DVD Mode to access a DVD's main menu.
-
- 12 Power Button**
Press the Power Button to turn the unit off or on.
-
- 13 Title Button**
Press the Title Button to view the title screen on a DVD.
• The Title Button will only work with compatible DVDs.
-
- 14 Skip Buttons**
Press the Skip Buttons to skip through a DVD's chapters or a CD's tracks.
-
- 15 Stop Button**
Press the Stop Button to stop a DVD or CD during play.
-
- 16 Enter Button**
Press the Enter Button to select media on a DVD or CD.
-
- 17 Setup Button**
Press the Setup Button to access the DVD Setup Menu.
-
- 18 Number Keypad**
Use the Number Keypad when entering numbers in for operations.
-
- 19 Program Button**
In CD or DVD Mode, press the Program Button to program tracks or chapters and titles to play in a designated order. (See the Operations section for instructions on Programming a CD or DVD)
-
- 20 Angle Button**
Press the Angle Button to view alternate angles.
• The Angle Button will only work with compatible DVDs.
-
- 21 Subtitle Button**
Press the Subtitle Button to cycle through available subtitle options for a specific DVD.
-
- 22 Mute Button**
Press the Mute Button to completely reduce the volume of audio output from the unit.
-
- 23 GoTo Button**
Press the GoTo Button and enter a specific time using the Number Keypad to automatically skip to that time on the loaded DVD.
-
- 24 Search Buttons**
Press and hold the Search Buttons to search through an individual DVD chapter or CD track.
-
- 25 Play/Pause Button**
Press the Play/Pause Button to play or pause a loaded DVD or CD.
-
- 26 Directional Buttons**
Use the Directional Buttons to navigate through a DVD or CD.
-
- 27 Step Button**
Press the Step Button to skip through a playing movie one frame at a time.
-

Location of Controls

28 Wide Button

In stop mode, press the Wide Button to switch between a 4:3 viewing ratio and a 16:9 (wide screen) viewing ratio.

29 Audio Button

Press the Audio Button to cycle through available audio languages for a specific DVD.

30 Zoom Button

Press the Zoom Button to zoom in and out during a DVD movie.

31 Repeat Button

When playing a DVD, press the repeat button to repeat the chapter, title, or entire DVD. When playing a CD, press the Repeat Button once to repeat an individual track of a CD or twice to repeat an entire CD.

32 Slow Button

Press the Slow Button to view a DVD movie in slow motion.

33 A-B Button

Press the A-B Button once during a playing movie to create an A point. Press the A-B Button a second time during a playing movie to create a B point and repeat the section of movie between the A point and the B point.

34 OSD Button

Press the OSD Button to view the on screen display and see time information on the DVD or CD that is playing.

The Setup Menu

To enter the Setup Menu, press the Setup Button on the remote while the DVD is in stop mode.

General

TV Shape The ratio of the width of an image to its height.

- **Normal/PS (4:3)** The Normal/PS (Pan & Scan) ratio shows the DVD movie in standard 4:3 aspect ratio screen, but the sides of the movie are cut away so that it fits on a standard TV screen
- **Normal/LB (4:3)** The Normal/LB (Letterbox) ratio shows the DVD movie in a original format.
- **Wide (16:9)** The Wide ratio shows the DVD movie in its widescreen format. Use this setting when viewing a movie on a widescreen TV.

Angle mark Turn the Angle mark feature on to have the unit indicate when the angle feature can be used on a DVD.

OSD Language In the OSD (On Screen Display) Language Section choose from English, French, and Spanish as different OSD Languages.

Digital Output Switch the digital output between Spdif Off, RAW, and PCM.

Screen Saver Turn the Screen Saver on or off.

Audio

Downmix

- **Lt/Rt** The digital audio output format are set in Lt/Rt downmix mode.
- **Stereo** The digital audio output format are set in Stereo downmix mode.

Dolby

Dynamic Adjust the Dynamic Range of the audio between Off, 1/8, 1/4, 3/8, 1/2, 5/8, 3/4, 7/8, and Full.

Preferences

Audio Use the Audio setting to select the audio language of the DVD. The Audio setting is dependent on the DVD's language offerings.

Subtitle The Subtitle setting allows the user to turn subtitles on and change the language of the subtitles. The Subtitle setting is dependent on the DVD's language offerings.

Disc Menu Use the Disc Menu setting to select the written language on the DVD's main menu. The DVD Menu setting is dependent on the DVD content.

Default The Default Settings button will change all settings back to the original factory defaults.



Service Information

Address 2116 Carr Street, St. Louis MO, 63106
Phone 1-314-621-2881
Fax 1-314-588-1805
Email prodinfo@gpx.com
Website www.gpx.com

To download this Instruction Manual in English, Spanish, or French visit the Support section at www.gpx.com.

Para descargar este manual de instrucción en inglés, español, o francés visite la sección de la ayuda en www.gpx.com.

Pour télécharger ce manuel d'instruction en anglais, espagnol, ou le Français visitez la section de soutien à www.gpx.com.

© 2007 DPI, Inc. All trademarks appearing herein are the property of their respective owners. All products subject to change without notice.