



# OWNER'S MANUAL

## DC-1200FS Dust Collector with Floor Sweep



**JET EQUIPMENT & TOOLS, INC.**  
A WMH Company  
[www.jettools.com](http://www.jettools.com)

P.O. BOX 1349  
Auburn, WA 98071-1349  
e-mail [jet@jettools.com](mailto:jet@jettools.com)

Phone: 253-351-6000  
Fax: 1-800-274-6840  
**M-708629 09/00**

# Important Information

**2-YEAR  
LIMITED WARRANTY**

**JET offers a two-year limited  
warranty on this product**

## REPLACEMENT PARTS

Replacement parts for this tool are available directly from JET Equipment & Tools. To place an order, call 1-800-274-6848. Please have the following information ready:

1. Visa, MasterCard, or Discover Card number
2. Expiration date
3. Part number listed within this manual
4. Shipping address other than a Post Office box.

## REPLACEMENT PART WARRANTY

JET Equipment & Tools makes every effort to assure that parts meet high quality and durability standards and warrants to the original retail consumer/purchaser of our parts that each such part(s) to be free from defects in materials and workmanship for a period of thirty (30) days from the date of purchase.

## PROOF OF PURCHASE

Please retain your dated sales receipt as proof of purchase to validate the warranty period.

## LIMITED TOOL AND EQUIPMENT WARRANTY

JET makes every effort to assure that its products meet high quality and durability standards and warrants to the original retail consumer/purchaser of our products that each product be free from defects in materials and workmanship as follows: 2 YEAR LIMITED WARRANTY ON THIS JET PRODUCT. Warranty does not apply to defects due directly or indirectly to misuse, abuse, negligence or accidents, repairs or alterations outside our facilities or to a lack of maintenance. JET LIMITS ALL IMPLIED WARRANTIES TO THE PERIOD SPECIFIED ABOVE FROM THE DATE THE PRODUCT WAS PURCHASED AT RETAIL. EXCEPT AS STATED HEREIN, ANY IMPLIED WARRANTIES OR MERCHANTABILITY AND FITNESS ARE EXCLUDED. SOME STATES DO NOT ALLOW LIMITATIONS ON HOW LONG THE IMPLIED WARRANTY LASTS, SO THE ABOVE LIMITATION MAY NOT APPLY TO YOU. JET SHALL IN NO EVENT BE LIABLE FOR DEATH, INJURIES TO PERSONS OR PROPERTY OR FOR INCIDENTAL, CONTINGENT, SPECIAL OR CONSEQUENTIAL DAMAGES ARISING FROM THE USE OF OUR PRODUCTS. SOME STATES DO NOT ALLOW THE EXCLUSION OR LIMITATION OF INCIDENTAL OR CONSEQUENTIAL DAMAGES, SO THE ABOVE LIMITATION OR EXCLUSION MAY NOT APPLY TO YOU. To take advantage of this warranty, the product or part must be returned for examination, postage prepaid, to an authorized service station designated by our Auburn office. Proof of purchase date and an explanation of the complaint must accompany the merchandise. If our inspection discloses a defect, JET will either repair or replace the product or refund the purchase price, if we cannot readily and quickly provide a repair or replacement, if you are willing to accept such refund. JET will return repaired product or replacement at JET's expense, but if it is determined there is no defect, or that the defect resulted from causes not within the scope of JET's warranty, then the user must bear the cost of storing and returning the product. This warranty gives you specific legal rights, and you have other rights, which vary, from state to state.

**JET Equipment & Tools • P.O. Box 1349, Auburn, WA 98071-1349 • (253) 351-6000**

 **WARNING**

1. **Read and understand the entire contents of this manual before attempting assembly or operation. Do not use this machine until proper training and knowledge has been obtained.**
2. Do not leave Dust Collector when plugged in. Unplug from outlet when not in use and before servicing.
3. Do not use outdoors or on wet surfaces.
4. Do not allow to be used as a toy. Close attention is necessary when used near children.
5. Use only as described in this manual. Use only manufacturer's recommended attachments.
6. Do not use with damaged cord or plug. If Dust Collector is not working as it should, has been dropped, damaged, left outdoor, or dropped in water, return it to a service center.
7. Do not pull or carry by cord, use cord as a handle, close a door on cord, or pull cord around sharp edges or corners. Do not run Dust Collector over cord. Keep cord away from heated surfaces.
8. Do not unplug by pulling on cord. To unplug, grasp the plug, not the cord.
9. Do not handle plug or Dust Collector with wet hands.
10. Do not put any objects into the openings. Do not use with any opening blocked; keep free of dust, lint, hair, and anything that may reduce air flow.
11. Keep hair, loose clothing, fingers, and all parts of body away from opening and moving parts.
12. Do not pick up anything that is burning or smoking, such as cigarettes, matches, or hot ashes.
13. Do not use without dust bag and/or filters in place.
14. Turn off all controls before unplugging.
15. Use extra care when cleaning on stairs.
16. Do not use to pick up flammable or combustible liquids such as gasoline or use in areas where they may be present.
17. Do not operate without hose connected to the inlet. Hazardous moving parts inside. Unplug before removing inlet or inlet guard.
18. Make sure the extension cord is in good condition. When using an extension cord, be sure to use one heavy enough to carry the current your product will draw. An undersize cord will cause a drop in the line voltage resulting in loss of power and overheating. The table below shows the correct size to use depending on cord length and nameplate ampere rating. If in doubt, use the next heavier gauge. The smaller gauge number, the heavier the cord.

**Cord Length**

25'  
50'  
100'  
150'

**Cord Gauge**

16 AWG  
16 AWG  
14 AWG  
12 AWG

**SAVE THESE INSTRUCTIONS**

## Grounding Instructions

### Caution!

**This tool must be grounded while in use to protect the operator from electric shock.**

In the event of a malfunction or breakdown, grounding provides a path of least resistance for electric current to reduce the risk of electric shock. This tool is equipped with an electric cord having an equipment-grounding conductor and a grounding plug. The plug must be plugged into a matching outlet that is properly installed and grounded in accordance with all local codes and ordinances.

Do not modify the plug provided. If it will not fit the outlet, have the proper outlet installed by a qualified electrician.

Improper connection of the equipment-grounding conductor can result in a risk of electric shock. The conductor, with insulation having an outer surface that is green with or without yellow stripes, is the equipment-grounding conductor. If repair or replacement of the electric cord or plug is necessary, do not connect the equipment-grounding conductor to a live terminal.

Check with a qualified electrician or service personnel if the grounding instructions are not completely understood, or if in doubt as to whether the tool is properly grounded.

Use only three wire extension cords that have three-prong grounding plugs and three-pole receptacles that accept the tool's plug.\*

Repair or replace a damaged or worn cord immediately.

### 115 Volt Operation

As received from the factory, your Dust Collector is ready to run at 115 volt operation. The Dust Collector is intended for use on a circuit that has an outlet and a plug that looks the one illustrated in Figure A. A temporary adapter, which looks like the adapter as illustrated in Figure B, may be used to connect this plug to a two-pole receptacle, as shown in Figure B if a properly grounded outlet is not available. The temporary adapter should only be used until a properly grounded outlet can be installed by a qualified electrician. **This adapter is not applicable in Canada.** The green colored rigid ear, lug, or tab, extending from the adapter, must be connected to a permanent ground such as a properly grounded outlet box, as shown in Figure B.

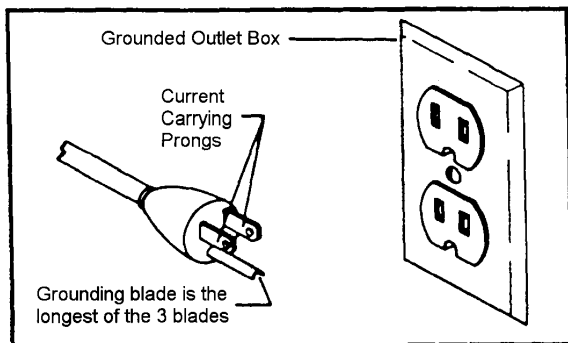


Fig. A

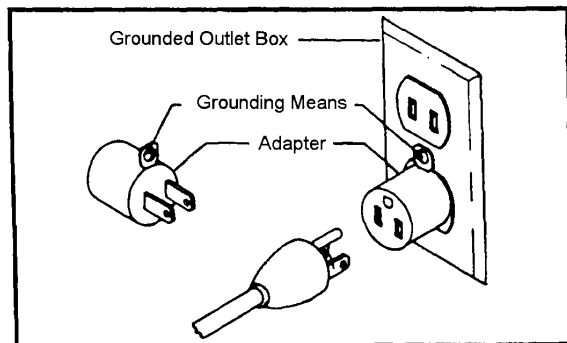


Fig. B

\* Canadian electrical codes require extension cords to be certified SJT type or better.

\*\* Use of an adapter in Canada is not acceptable.

**Specifications:****DC-1200FS**

Stock Number.....	708629
Blower Wheel Diameter.....	12"
Sound Rating at 3 feet.....	70-80 db
Hose Diameter.....	4"
Air Flow.....	1,200 CFM
Velocity.....	13,730 FPM
Static Pressure.....	14 Inch/Water
Bag Diameter.....	14"
Bag Length.....	30"
Collector Bag Capacity.....	3.5 Cubic Feet
Overall Dimensions.....	32"L x 16"W x 72"H
Motor.....	1 1/2 HP, 1Ph
.....	115/230V <b>Prewired 115V</b>
Net Weight (approx.).....	117 Lbs.
Shipping Weight (approx.).....	124 Lbs.

**Table of Contents****Page**

Warranty.....	2
Warnings.....	3
Grounding Instructions.....	4
Specifications.....	5
Table of Contents.....	5
Unpacking DC-1200FS.....	6
Contents of Shipping Carton.....	6
Tools Required for Assembly.....	6
Assembly.....	7-10
Turning the Machine On & Off.....	10
Maintenance.....	10-11
Parts Breakdown.....	12
Parts List.....	13-14
Wiring Diagrams.....	14-15

The specifications in this manual are given as general information and are not binding. JET Equipment & Tools reserves the right to effect, at any time and without prior notice, changes or alterations to parts, fittings, and accessory equipment deemed necessary for any reason whatsoever.



## **WARNING**

**Read and understand the entire contents of this manual before attempting assembly or operation of the dust collector!  
Failure to comply may cause serious injury!**

### **Unpacking**

1. Remove all contents from the shipping carton.
2. Report any damage to your distributor.
3. Do not discard any shipping material until after the dust collector has been assembled and is running properly.

### **Contents of the Shipping Carton**

1. Warranty Card
1. Owner's Manual
1. Motor/Fan Assembly
5. Plastic Collector Bags
1. Filter Bag
2. Bag Clamps
2. Supports
1. Handle
4. Casters & Hardware
1. Bag Hanger
1. Lower Stand
1. Upper Stand
1. Base
2. Gaskets (o-ring type)
1. Gasket (foam pad)
1. Inlet

### **Tools Required for Assembly**

6"-8" Adjustable Wrench or 14mm Wrench.  
Cross Point or Flat Head Screwdriver.

## Assembly

### **⚠️ WARNING**

**The dust collector must be disconnected from the power source during assembly (unplug). Failure to comply may result in serious injury!**

1. Position the base on its side. Mount the two front, fixed casters on the base with four M6 M6x12 hex cap screws, four lock washers and four M6 flat washers, Figure 1.

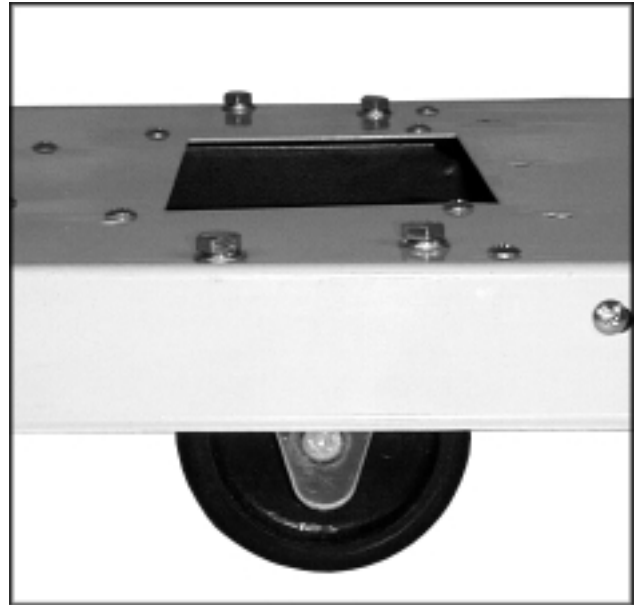


Fig. 1

2. Thread two hex nuts onto the caster shaft. Mount the rear, pivot casters and supporting bars to the base with two M10 flat washers, two M10 lock washers and two acorn nuts, Figure 2. While holding the hex nut that was threaded onto the caster shaft with a wrench, tighten the acorn nut.



Fig. 2

3. Place the base upright on its casters. Attach the lower stand, air guard (A, Fig.3) facing out, to the base with eight M8x20 cap screws (B, Fig. 3) and eight M8 lock washers.



Fig. 3

4. Press the smaller gasket (o-ring type), into the groove of the lower stand, where the inlet mounts. Attach the inlet (A, Fig. 4) to the lower stand inlet hole using six M6x12 pan head screws (B, Fig. 4).

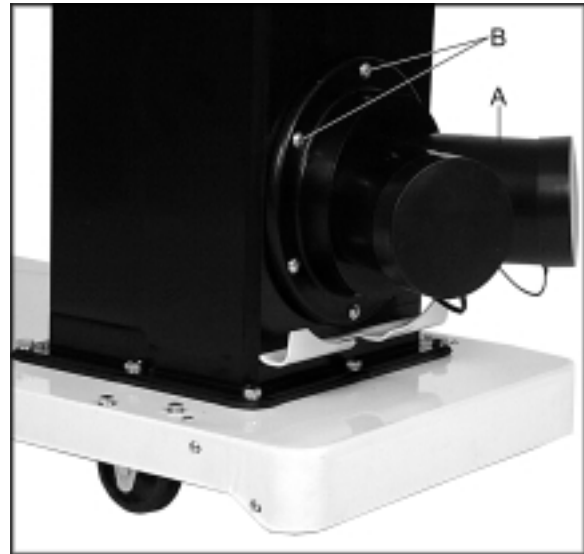


Fig. 4

5. Press the larger gasket (o-ring type) into the groove of the upper stand. Attach the upper stand to the lower stand using eight M6x20 cap screws, eight flat washers, eight lock washers and eight M6 hex nuts (A, Fig. 5).



Fig. 5

6. Attach the handle (A, Fig. 6) to the support tubing using four M6x50 cap screws, four M6 flat washers, four M6 lock washers and four M6 hex nuts (B, Fig. 6).



Fig. 6



7. With the assistance of another person lift the motor housing onto the upper stand.
8. From the underside attach the motor housing to the upper stand using eight M6x16 hex head bolts and eight M6 lock washers (A, Fig. 7).



Fig. 7

9. Attach the supporting bars (A, Fig. 8) to the motor housing using two M8x16 cap screws, two M8 flat washers, two M8 lock washers and two M8 hex nuts (B, Fig.8).



Fig. 8

10. Screw a M6 hex nut on the dust bag hanger. Slip a M6 lock washer and a M6 flat washer onto the rod and screw into the motor housing (A, Fig. 9).

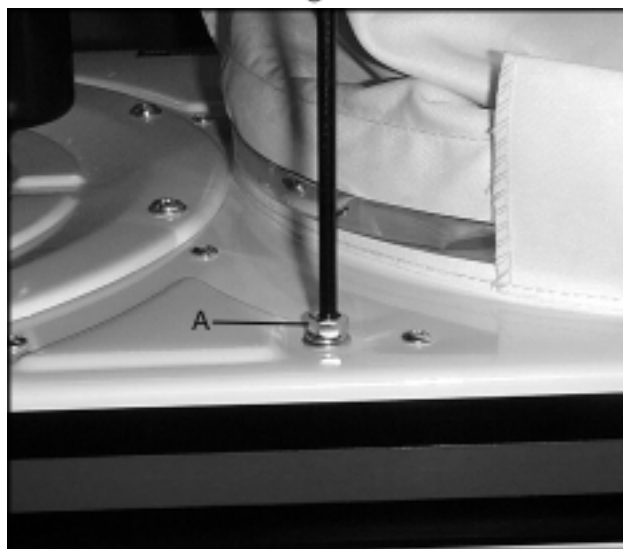


Fig. 9

- Slide the hook on the bag hanger through the top loop on the filter bag. Thread the retainer strap (A, Fig. 10) through the loops on the filter bag (B, Fig.10), and tightly secure to the upper housing. The retainer strap should be tight enough to provide a good seal.
- Place the plastic collector bag onto the lower part of the housing. Place the two holes in the bag over the two bolts (C, Fig. 10) sticking out of the housing. The retainer strap should be placed, and tightened over the foam to provide a good seal.



Fig. 10

### Turning the Machine On & Off

**Note:** Before hooking up to the power source, make sure that the switch is in the off position.

- The dust collector can be turned on by flipping the switch into the on position.
- There is a key in the tip of the switch that can be removed in the off position. When the key has been removed the dust collector cannot be turned on, Figure 11.

### Maintenance

**⚠️ WARNING**

**Never perform maintenance on this machine before turning switch off and removing plug from power source, unplug. Failure to comply may cause serious injury!**

### Removing the Chip Collector Bag

**⚠️ CAUTION**

**Wearing a particle mask/respirator for protection against fine dust particles during cleaning is highly recommended.**

- Disconnect the machine from the power source, unplug.**
- Shake the filter bag so remaining dust settles into the chip collector bag.



Fig. 11

3. Loosen the bag clamp, and remove the collector bag from the dust collector. Empty the contents into a fire proof metal container.
4. Attach a new bag using the bag clamp to secure.
5. Connect the machine to the power source.

**Note:** Use the proper type hose to connect the dust collector to the machine being operated. Dryer vent hose is not acceptable for this purpose. Contact your nearest JET distributor for the full line of JET Dust Collector Hoses and Accessories.

## Motor

Make frequent inspections of the motor and blow out (with low pressure air hose) or vacuum any accumulation of foreign material in order to maintain normal motor ventilation.

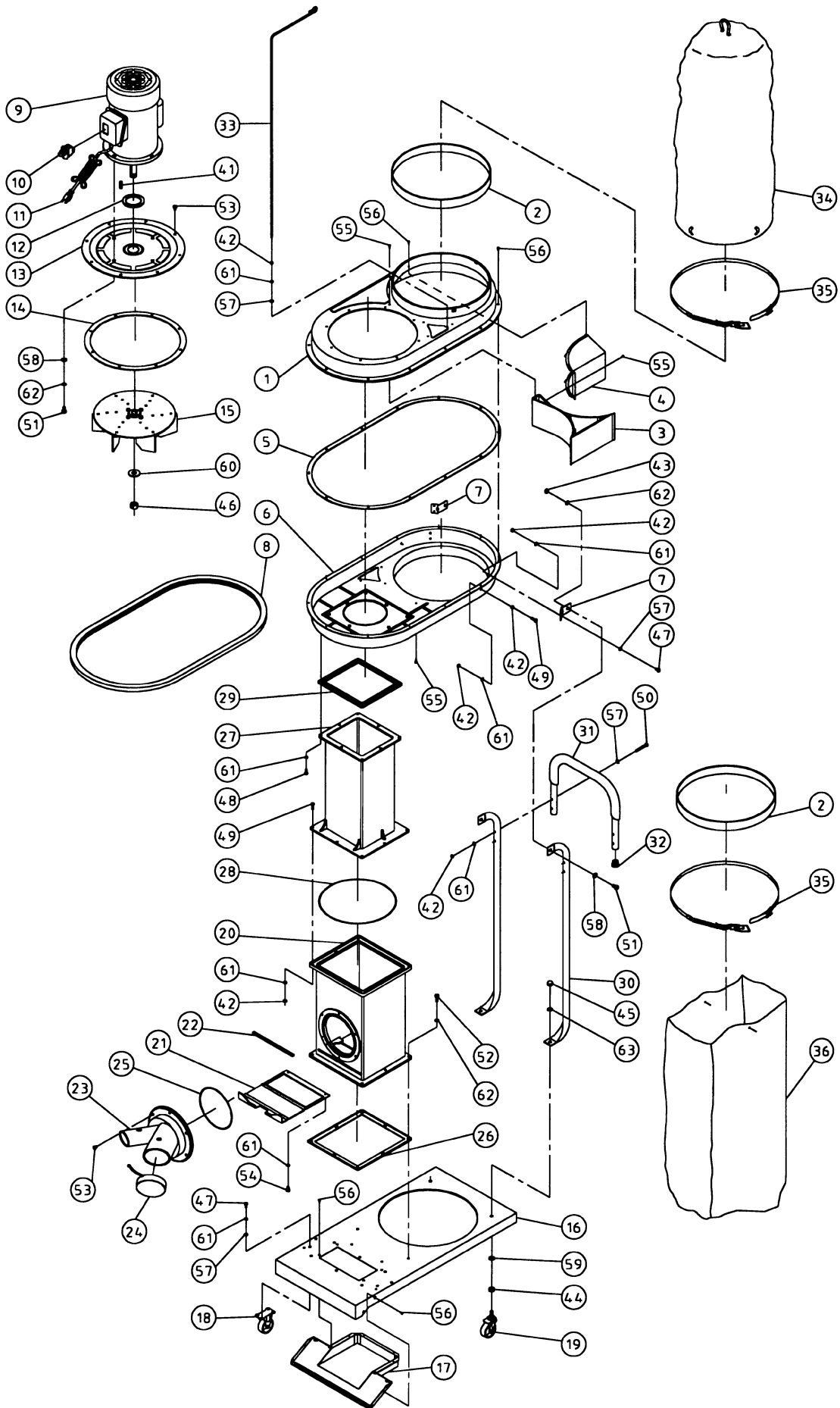
## Electrical Connections

### **WARNING**

**All electrical connections must be done by a qualified electrician. Machine must be disconnected from the power source, unplug. Failure to comply may cause serious injury!**

If it is necessary to run this unit on 230V, refer to the wiring diagram found on the inside cover of the motor junction box.

# Parts Breakdown

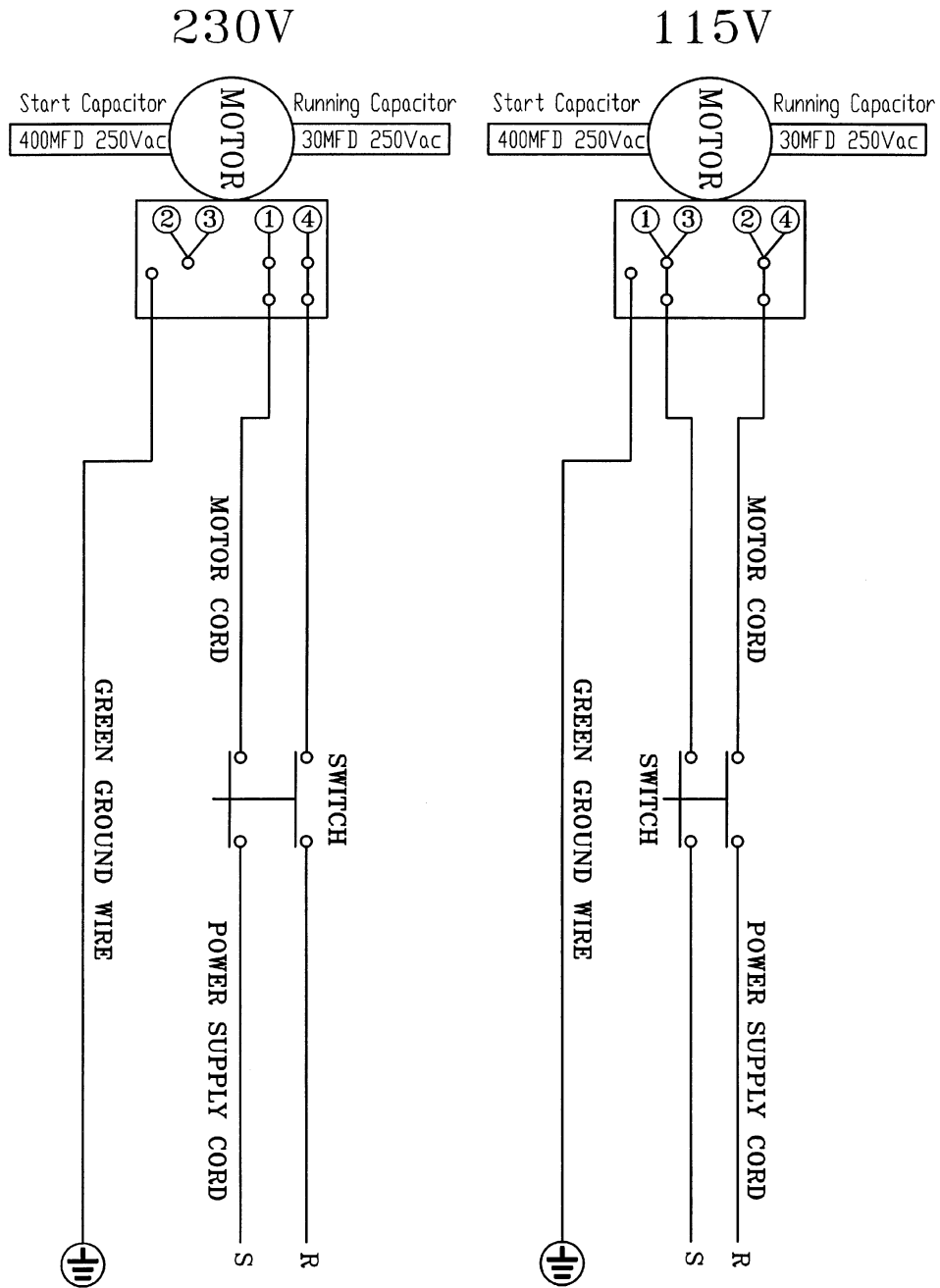


## Parts List for the DC-1200FS

Index No.	Part No.	Description	Size	Quantity
1	427001	Upper Housing		1
2	427074	Pad		2
3	427002	Impellar Guard		1
4	427058	Extension Guard		1
5	427003	Gasket		1
6	427004	Lower Housing		1
7	427057	Locating Pieces		2
8	427005	Housing Edge Sleeve		1
9	427415AS	Motor	1 1/2HP, 1Ph	1
	4272115-2	Motor Fan Cover (not shown)		1
	4272115-1	Motor Fan (not shown)		1
	991016	Running Capacitor (not shown)		1
	991400	Starting Capacitor (not shown)		1
	991401	Capacitor Cover (not shown)		1
10	994532	Switch		1
11	999910	Power Cord		1
12	423023	Motor Seal		1
13	427009	Motor Flange		1
14	430034	Flange Gasket		1
15	AB430006	Impeller	12"	1
16	427018	Base		1
17	427017	Base Guard		1
18	427019	Fixed Caster		2
19	427020	Pivoting Caster		2
20	427015	Lower Stand		1
21	427033	Air Guard		1
22	427971	Pad		1
23	427028	Inlet		1
24	420203	Inlet Guard		1
25	427027	O-ring		1
26	427016	Base Gasket		1
27	427013	Upper Stand		1
28	427014	O-ring		1
29	427012	Housing Gasket		1
30	427021	Support Tubing		2
31	427031	Handle		1
32	427056	Plug	7/8"	2
33	427023	Hanger		1
34	709561	Filter Bag		1
35	427024	Retainer Strap		2
36	709560	Collection Bags		10
41	KS070720	Key	7x7x20	1
42	TS-1540041	Nut	M6	21
43	NH081300	Nut	M8	2
44	TS-0561031	Nut	3/8"-16UNC	2
45	TS-059303	Acorn Nut	3/8"-16UNC	2
46	TS-0561072	Nut	5/8"-18UNF	1
47	TS-1482021	Cap Screw	M6x12	8
48	SH069400	Hex Head Bolt	M6x16	8
49	TS-1482041	Cap Screw	M6x20	10
50	TS-1482101	Cap Screw	M6x50	4
51	TS-1490021	Cap Screw	M8x16	6
52	TS-1490031	Cap Screw	M8x20	8
53	SF069300	Pan Head Flange Bolt	M6x12	14
54	SR069200	Hex Socket Cap Bolt	M6x8	2

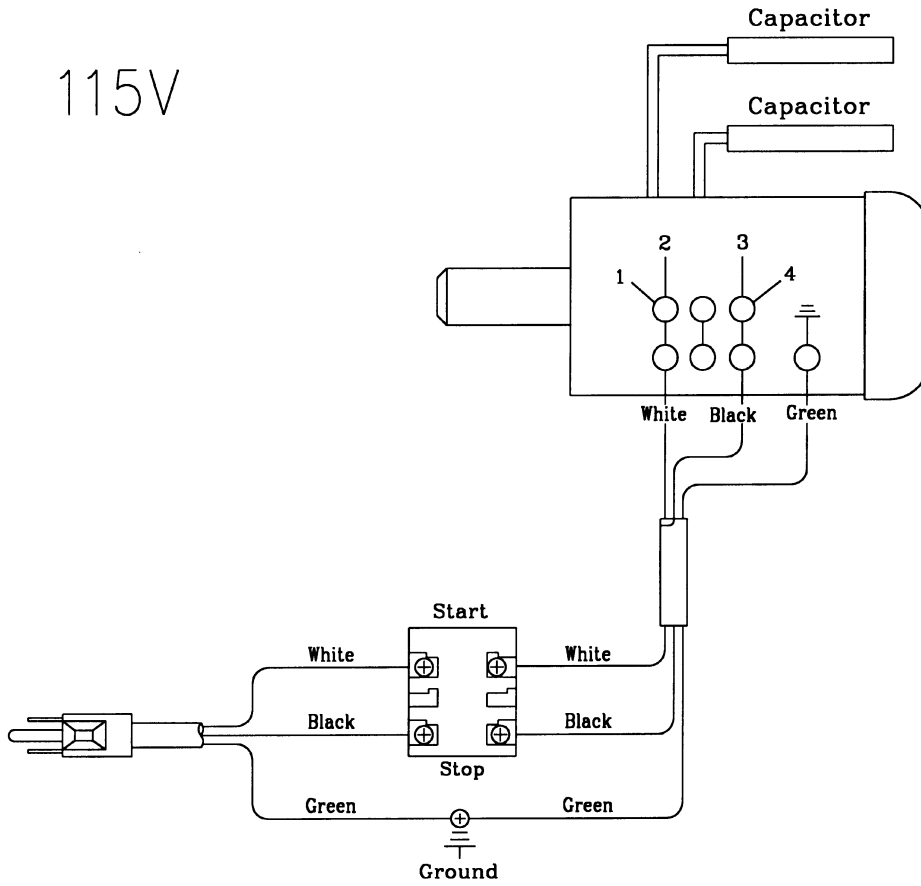
55.....	ST039304 .....	Tapping Screw.....	M3.5x12.....	11
56.....	ST040200 .....	Tapping Screw.....	M4x10.....	28
57.....	TS-1550041 .....	Flat Washer.....	M6 .....	13
58.....	TS-1550061 .....	Flat Washer.....	M8 .....	6
59.....	TS-1550071 .....	Flat Washer.....	M10.....	2
60.....	WF164030.....	Flat Washer.....	M16.....	1
61.....	TS-1551041 .....	Spring Washer.....	M6 .....	33
62.....	TS-1551061 .....	Spring Washer.....	M8 .....	14
63.....	TS-1551071 .....	Spring Washer.....	M10.....	2

### Wiring Diagram



# Wiring Diagram

115V



230V

