



# Undercounter Dishwasher

## PRODUCT MODEL NUMBERS

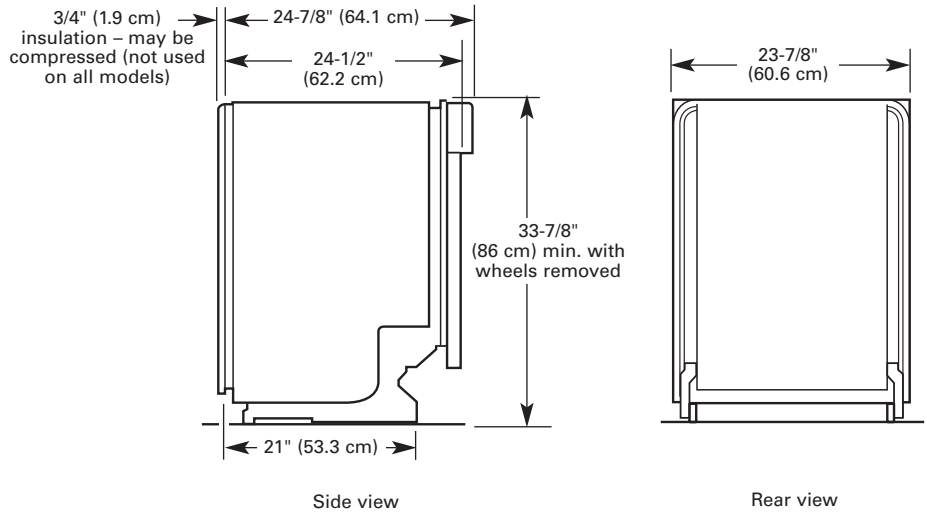
DU1048XTP	GU2200XTS
DU1055XTP	GU2300XTS
DU1055XTS	GU2370XTS
DU1100XTP	GU2400XTP
DU1101XTP	GU2455XTS
DU1145XTP	GU2500XTP
DU1148XTP	GU2548XTP
DUC600XTP	GU2600XTP
DUL240XTP	GU2700XTS

**Electrical:** 120-volt, 60-Hz, AC-only, 15- or 20-amp. fused electrical supply. Use copper wire only. A time-delay fuse or circuit breaker and separate circuit is recommended.

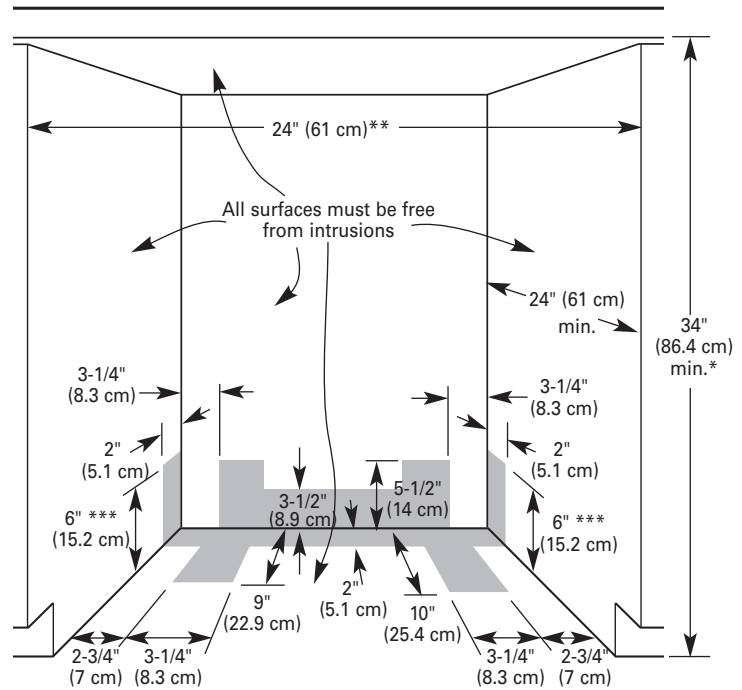
**Water:** A hot water line with 20-120 psi (138-862 kPa) water pressure. Water temperature must be 120°F (49°C) at dishwasher. Use 3/8" O.D. copper tubing with compression fitting or flexible stainless steel braided fill line (1/2" minimum plastic tubing is optional but not recommended). Use a 90° elbow with 3/8" N.P.T. external pipe threads on one end to connect to water inlet valve. Do not solder within 6" (15.2 cm) from water inlet valve.

**Drain:** Use the new drain hose supplied with your dishwasher. If this is not suitable, use a new drain hose with a maximum length of 12 feet (3.7 m) that meets all current AHAM/IAPMO test standards, is resistant to heat and detergent, and fits the drain connector of the dishwasher. Must have a high drain loop 20 inches (50.8 cm) above the subfloor or floor. Connect drain hose to waste tee or disposer inlet above drain trap in house plumbing and 20 inches (50.8 cm) minimum above the floor. An air gap must be used if the drain hose is connected to house plumbing lower than 20 inches (50.8 cm) above subfloor or floor. Use 1/2" minimum I.D. drain line fittings.

## OVERALL DIMENSIONS



## CABINET OPENING DIMENSIONS



Cut holes in shaded area of cabinet walls or floor as specified below:

- water line – 1/2" (1.3 cm)
- drain line – 1-1/2" (3.8 cm)
- direct wire – 3/4" (1.9 cm)
- power supply cord – 1-1/2" (3.8 cm)

\* Measured from the lowest point on the underside of countertop. May be reduced to 33-7/8" (86 cm) by removing wheels from dishwasher.

\*\* Minimum, measured from narrowest point of opening.

\*\*\* May be increased to 6-7/8" (17.5 cm) if height of opening is 34-1/2" (87.6 cm) at its lowest point.

‡ Both sides