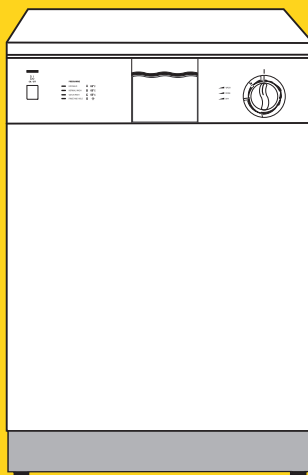


ZANUSSI

DISHWASHER DW 914



Contents

For the user

Important safety information	3
Description of the appliance	4
The control panel	4
Before use	5
Setting the water softener	5
Rinse aid	7
Using your appliance	8
Loading your appliance	8
Adjusting the height of the upper basket	9
Use of detergent	10
Hints and tips	11
Washing programmes	12
Operating sequence	13
Maintenance and cleaning	14
Internal cleaning	14
Cleaning the central filters	14
Cleaning the large filter	14
External cleaning	15
Prolonged periods of non-operation	15
Frost precautions	15
Moving the machine	15
Something not working	16
Service and spare parts	17
Guarantee conditions	18
Hints for test centres	19
Technical specifications	19

For the installer

Installation instructions	20
Water supply connections	20
Water outlet hose connection	21
Electrical connection	22
Adjusting the worktop	23
Fitting under a counter	23
Levelling	23

Guide to use the instruction book

The following symbols will be found in the text to guide you throughout the instructions:



Safety instructions

1. 2. 3.

Step by step



Hints and tips



Environmental information



Important safety information

It is most important that this instruction book should be retained with the appliance for future reference. Should the appliance be sold or transferred to another owner, or should you move house and leave the appliance, always ensure that the book is left with the appliance in order that the new owner can get to know the functioning of the appliance and the relevant safety information.

This information has been provided in the interest of your safety. You MUST read it carefully before installing or using the appliance.

Installation

- This appliance is heavy. Care should be taken when moving it.
- It is dangerous to alter the specifications or attempt to modify this product in any way.
- Care must be taken to ensure that the appliance does not stand on the electrical supply cable.
- Any electrical work required to install this appliance should be carried out by a qualified electrician or competent person.
- Any plumbing work required to install this appliance should be carried out by a qualified plumber or competent person.

Child Safety

- This appliance is designed to be operated by adults. Children should not be allowed to tamper with the controls or play with the product.
- Keep all packaging well away from children.
- Keep all detergents in a safe place out of children's reach.


During Use

- Items that are contaminated by petrol, paint, steel or iron debris, corrosive, acidic or alkaline chemicals must not be washed in this dishwasher.
- Under no circumstances should you open the door whilst the appliance is in operation. Always turn off the appliance before opening the door.
- Only use detergent specifically designed for use in dishwashers.
- Long bladed knives stored in an upright position are a potential hazard.
- Long and/or sharp items of cutlery such as carving knives must be positioned horizontally in the upper basket.
- When finishing loading or unloading close the door, as an open door can be a hazard.

- Do not sit or stand on the open door.
- Isolate the appliance from the power supply and turn off the water supply after use.
- Care should be taken when cleaning the bottom door seal and hinge area as any exposed metal edges may cut if care is not taken.
- This product should be serviced by an authorised Service engineer, and only genuine spare parts should be used.
- Under no circumstances should you attempt to repair the machine yourself. Repairs carried out by inexperienced persons may cause injury or serious malfunctioning. Contact your local Service Force Centre. Always insist on genuine spare parts.

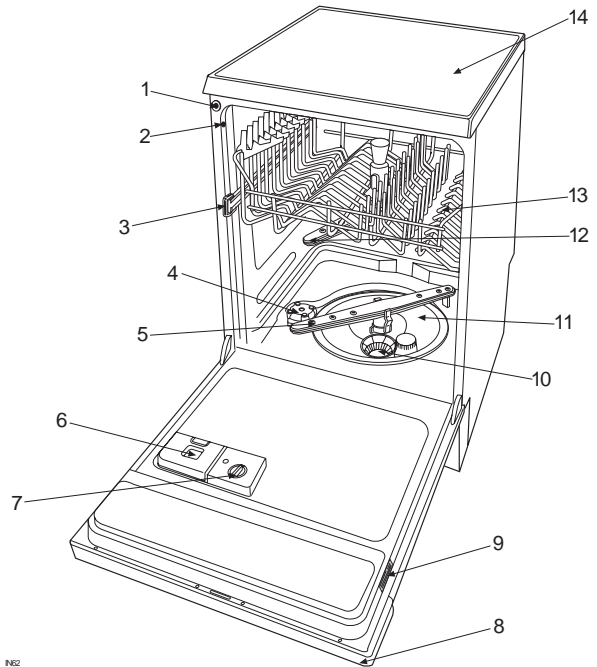
Conservation

In the interest of the environment:

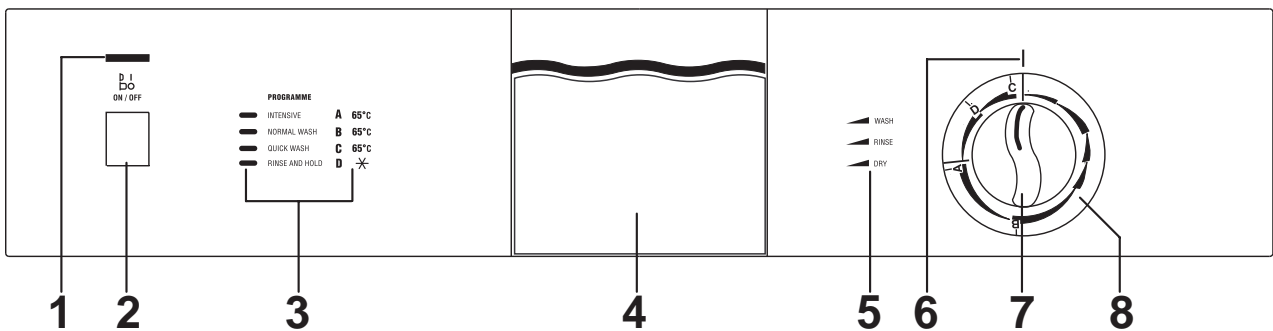
- Materials marked with the symbol  are recyclable.
- Check with your local Council or Environmental Health Office to see if there are facilities in your area for re-cycling this appliance.
- When the appliance is to be scrapped, cut off the power supply cable and make the door closing device unusable to prevent young children from being trapped inside.
- Help to keep your country tidy - use authorised disposal sites for your old appliance.

Description of the appliance

1. Water hardness adjustment
2. Levelling spacers
3. Upper basket stop
4. Salt container
5. Lower spray arm
6. Detergent dispenser
7. Rinse aid dispenser
8. Control panel
9. Rating plate
10. Central filters
11. Large filter
12. Upper spray arm
13. Upper basket
14. Worktop



The control panel



1. On/Off indicator light
2. On/Off pushbutton
3. Programme guide
4. Door handle
5. Phase indicator guide
6. Programme marker
7. Programme selector dial
8. Wash programme phase

Before use

Before using your dishwasher for the first time:

1. Ensure that the electrical and water connections comply with the installation instructions
2. Remove all packaging from inside the appliance
3. Set the water softener
4. Pour 1 litre of water inside the salt container and then fill with salt
5. Fill the rinse aid dispenser.

Setting the water softener

The dishwasher is equipped with a water softener designed to remove minerals and salts from the water supply, which would have a detrimental or adverse effect on the operation of the appliance.

The higher the content of these salts, the harder your water is.

Water hardness is measured in equivalent scales, Clarke and French degrees.

The softener should be adjusted according to the hardness of the water in your area. Your local Water Authority can advise you on the hardness of the water in your area.

The dishwasher is factory set at level 2.

If this level is not suitable for your area the softener should be adjusted.

Water hardness		Level	Use of salt	Use of salt
Clarke degrees	French degrees (°TH)			
0 - 10	0 - 14	1	NO	NO
11 - 27	15 - 39	2	NO	NO
28 - 35	40 - 50	3	YES	NO
36 - 49	51 - 70	4	NO	YES
50 - 63	71 - 90	5	YES	YES

To adjust the water softener

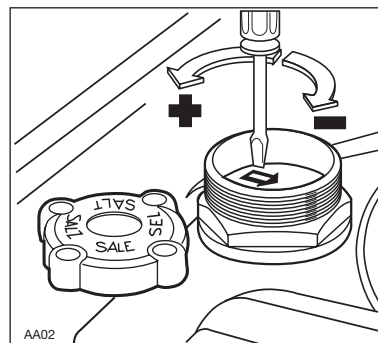
Level 1

If your water is "level 1" it is already soft and therefore there is no need to use salt.

Levels 3 and 5 (water softener adjustment)

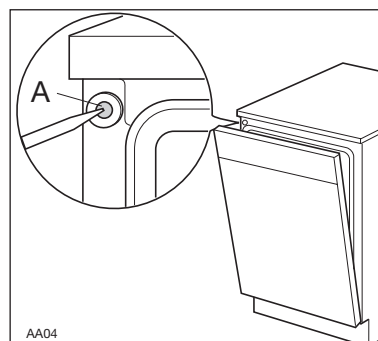
If your water is level 3 or 5, proceed as follows:

- slide out the lower basket and unscrew the cap of the salt container;
- turn the two-position selector anticlockwise from position - to position + with the aid of a blunt knife or screwdriver.



Levels 4 and 5 (adjustment on the machine)

If your water is level 4 or 5, open the door and drill membrane (A) on the upper left-hand corner of the machine.



With a water hardness of level 5 both adjustments must be made.

Filling with salt

i Only use salt specifically designed for use in dishwashers.

All other types of salt not specifically designed for use in a dishwasher, especially table salt, will damage the water softener.

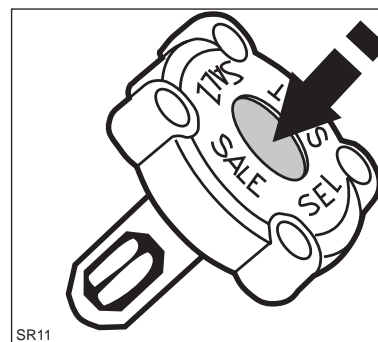
Only fill with salt just before starting one of the complete washing programmes (not the Rinse and Hold programme). This will prevent any grains of salt or salty water, which may have been spilled, remaining on the bottom of the machine for any period of time, which may cause corrosion.

To fill:

1. To fill with salt, unscrew the cap of the salt container.
2. Pour 1 litre of water inside the container (this is necessary only before filling with salt for the first time).
3. Using the funnel provided, pour in the salt until the container is full.
Do not worry if water over flows from the unit when filling with salt, this is quite normal.
4. Replace the cap making sure that there is no trace of salt on the screw thread or on the gasket.
5. Screw on the cap tightly.

The salt container will require topping up periodically.

The salt cap has a refill indicator window in the centre. A **green float** is clearly visible when there is salt inside the container, and almost disappears when the salt has finished reminding you to add salt.

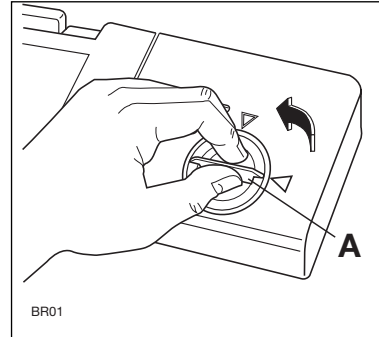


Rinse aid

Rinse aid is automatically added during the last rinse, ensuring thorough rinsing, spot and streak free drying. The dispenser, which is positioned inside the door, holds about 110 ml of rinse aid, which is sufficient for 16 - 40 dishwashing programmes, depending upon the dosage setting.

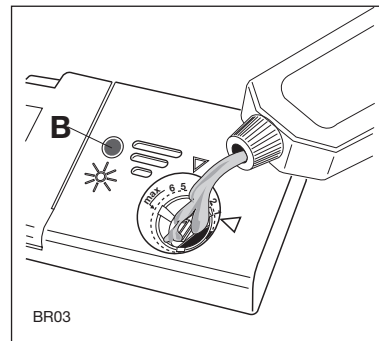
Filling with rinse aid

1. Open the container by turning the lid (A) anticlockwise.
2. Add the rinse aid until the container is completely full. The indicator (B) will be completely dark.
3. Top up the rinse aid when the indicator (B) because clear.



Ensure that the lid is closed after every refill.

Do not put liquid detergent in the rinse aid department. Clean up any rinse aid spilt during filling with an absorbent cloth to avoid excess foaming during the next wash.

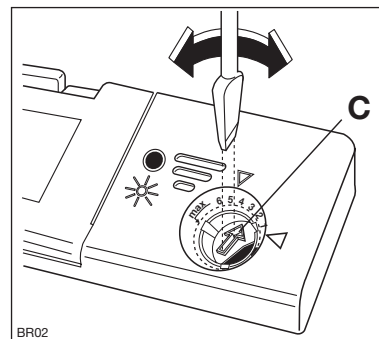


Adjusting the dose

According to the finish and drying results obtained, adjust the dose of rinse aid by means of the 6 position selector (C) (position 1 minimum dosage, position 6 maximum dosage).

Start from position 3.

Gradually increase the dose if there are drops of water or lime spots on the dishes after washing. Reduce it if there are sticky whitish streaks on the dishes.



Using your appliance

Loading your appliance

Before placing dishes in the machine, remove any scraps of food, to avoid clogging the filters and consequently reducing the performance.

i Do not load very small items which can fall through the baskets.

Open the door and slide out the baskets to load the dishes.

The lower basket

The lower basket is designed to take saucepans, lids, plates, salad bowls, cutlery etc.

Serving dishes and large lids should be arranged around the edge of the basket, ensuring that the upper spray arm can turn freely.

The two rear rows of prongs on the lower basket can be easily lowered to allow you to load pots, pans and bowls.

To lower the prongs:

- Slightly pull them upward and let them drop down (see picture).
- To bring them back to the standing position, just pull them up again.

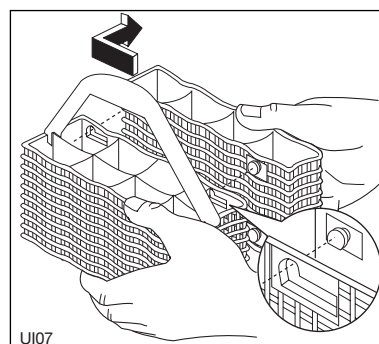
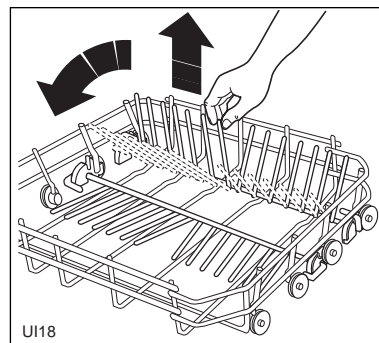
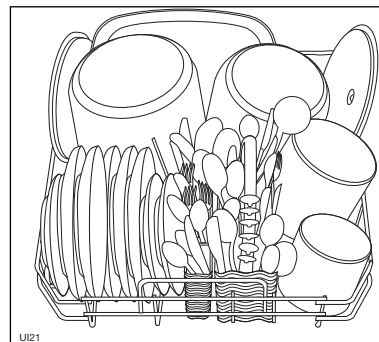
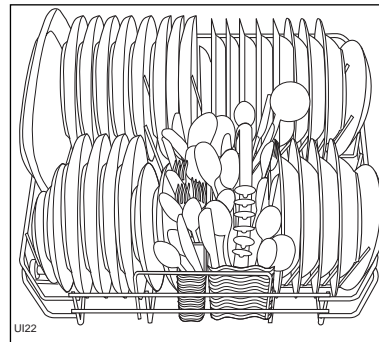
The cutlery basket

! Long bladed knives stored in an upright position are a potential hazard. Long and/or sharp items of cutlery such as carving knives must be positioned horizontally in the upper basket. Take care when loading or unloading sharp items such as knives.

Cutlery should be placed in the removable cutlery basket with the handles facing downwards. If the handles protrude from the bottom of the basket, obstructing the lower spray arm, load the cutlery with the handles facing upwards.

Mix spoons with other cutlery to prevent them from sticking together.

The cutlery basket is in two parts which can be separated to give greater loading flexibility. To separate the two parts, slide them horizontally in opposite directions and pull them apart. To reassemble, reverse the procedure.



The upper basket

The upper basket is designed for plates (dessert plates, saucers, dinner plates of up to 24 cm in diameter), salad bowls, cups and glasses.

Larger plates (dinner plates up to 24 cm in diameter) must be loaded in the front part of the upper basket.

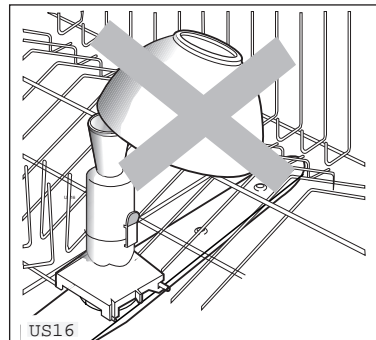
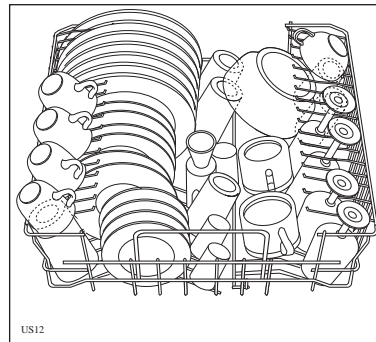
Arrange items on and underneath the fold-down cup racks so that water can reach all surfaces.

Glasses with long stems can be placed upside down in the raised cup racks.

Light items (plastic bowls etc.) should be loaded in the upper basket and arranged so they do not move.

i Before closing the door, ensure that the spray arms can rotate freely.

i When loading the dishes, ensure that you do not cover the water inlet funnel in the middle of the upper basket.



Adjusting the height of the upper basket

If washing very large plates (over 27 cm and up to 31 cm in diameter) you can load them in the lower basket after moving the upper basket to the higher position.

To move to the higher position proceed as follows:

1. Pull out the basket until it stops.
2. Carefully lift both sides upwards until the mechanism is engaged and the basket is stable.

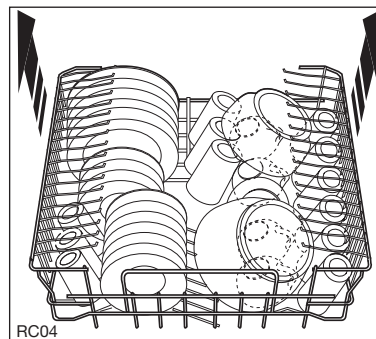
i When the top basket is in the higher position it will only take plates up to 20 cm in diameter and you will not be able to use the raised cup racks.

To lower the basket to the original position proceed as follows:

1. Pull out the basket until it stops.
2. Carefully lift both sides upwards and then allow the mechanism to drop back down slowly, keeping hold of it.

i Never lift or lower the basket on one side only.

! After loading your machine always close the door, as an open door can be a hazard.



Use of detergent

i Only use detergents specifically designed for use in dishwashers.

We recommend the use of **Finish** detergents which are available in the following options:

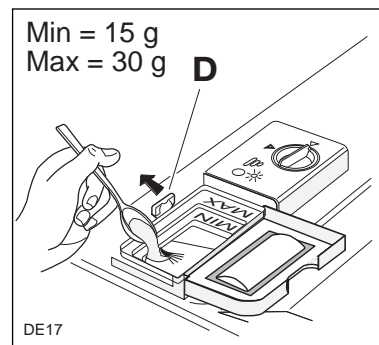
Finish Double Action Tablets. Each tablet has the exact amount of detergent required, simply place in the dispenser.

Finish Powder recommended for every day use.

Finish Liquid Gel ideal for every day use. As the gel is extra gentle it is recommended for fine both china.

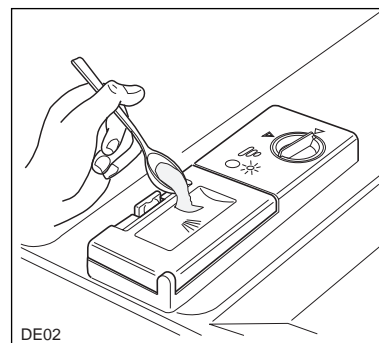
If using powder detergents proceed as follows:

1. Open the dispenser lid by pulling the catch (D).
2. Add the detergent according to the recommendations in the programme chart. As all detergents are not the same, you should also consult the instructions on the packet.
3. Always close the lid.
4. If the programme has a prewash add the required detergent over the lid of the dispenser.



If using detergent in tablets proceed as follows:

1. For all programmes; place 1 tablet inside the detergent dispenser.
2. Always close the lid.
3. For all programmes with prewash; place a portion of a further tablet on the lid of the detergent dispenser.



Insufficient quantities of detergent will produce poor washing results, whereas an excessive amount of detergent will not improve washing results and is also wasteful.

Using no more than the correct amount also contributes to reducing pollution.

Compact detergents with enzymes

In these low-alkaline compact powders the environment unfriendly components have been replaced by natural enzymes and other more biodegradable substances.

These new compact powders are generally phosphate-free.

As phosphates have water softening properties, we suggest you add salt to the salt container even if the hardness of your water is as low as 7°TH.

This will avoid lime deposits on crockery and the inner tub.

Hints and tips

To save energy

Place dishes in the machine immediately after every meal and wait until the dishwasher is full before washing.

If necessary run the Rinse and Hold programme (see "Washing Programmes" chart) so that any food scraps do not become caked on the dishes while you are waiting to run the complete wash programme.

Do not prewash dishes under running water.

For best washing and drying results

Before loading remove all scraps of food and soak very heavily soiled pots and pans.

Arrange saucepans, cups and glasses etc. upside-down.

Tilt items with convex or concave surfaces so that the water drains off easily.

Avoid contact between the dishes as far as possible.

Wait a few minutes before removing the dishes; in this way they will be cooler and the drying will be improved.

Empty the lower basket first and then the upper one; this will avoid water dripping from the upper basket onto the dishes in the lower one.

You will improve drying results by leaving the dishwasher door ajar for at least 15-30 minutes as soon as the programme finishes.

Items not suitable for dishwashers

The following items should not be washed in the dishwasher (unless they are sold as dishwasher proof):

- Cutlery with wooden or horn handles or glued parts
- bronze cutlery
- saucepans with wooden handles
- aluminium ware
- crystal ware
- leaded glass
- plastic items
- antique or fine decorated china

Certain types of decoration can discolour when washed in a dishwasher.

Crystal-ware and plastic objects, if not guaranteed dishwasher proof should be washed by hand.

Certain types of glass can also become opaque after being washed several times in a dishwasher.

A chemical reaction can occur between silver cutlery and stainless steel cutlery. As a precaution, do not wash together.

Iron and cast iron objects can rust and stain other items.

Aluminium tends to go black, copper, pewter and brass tend to stain.



If in doubt check with manufacturer of the item.

When buying new dishes, ensure that they are dishwasher proof.

For best results we recommend the use of Finish detergents, rinse aid and salt.



Washing programmes

Type of load	Degree of soil	Starting position of the programmer	Required pushbuttons	Recommended quantity of detergent		Cycle description
				in the dispenser	on the dispenser lid	
INTENSIVE 65°C	Heavy soil. Crockery, cutlery, pots and pans	A	On/Off	25 g	5 g	Cold prewash Main wash up to 65°C 2 cold rinses 1 hot rinse Hot air drying
NORMAL WASH 65°C	Normal soil. Crockery and cutlery	B	On/Off	25 g	/	Main wash up to 65°C 2 cold rinses 1 hot rinse Hot air drying
* QUICK WASH 65°C	Light soil. Crockery and cutlery	C	On/Off	25 g	/	Main wash up to 65°C 2 cold rinses
RINSE AND HOLD	Any. Partial load (to be completed later in the day).	D	On/Off	/	/	1 cold rinse, (to avoid food scraps from sticking together).

* This is a special programme for quick washing a full load of lightly soiled dishes, glasses and crockery (except pots) so that you may re-use them promptly.

Operating sequence

1. Check the filters

Ensure they are clean and properly positioned (see "Maintenance and cleaning").

2. Check that there is rinse aid and salt

3. Load the dishes

Remove any scraps of food.

Pull the lower basket out and arrange the saucepans, plates and cutlery in it.

Pull the upper basket out and arrange the plates, saucers, glasses and cups etc. in it.

Slide the baskets back into the machine.

4. Ensure that the spray arms can rotate freely.

5. Measure out detergent

Add the required amount of detergent into the dispenser according to the "Washing programmes" chart.

Close the detergent dispenser lid.

6. Close the dishwasher door

7. Set the programme

Turn the programme selector dial clockwise until the letter of the programme you wish to select corresponds with the programme marker on the control panel.

8. Start the programme

Depress the On/Off pushbutton.

The On/Off indicator light will come on and the machine will start.

9. At the end of the washing programme

At the end of the programme the dishwasher will automatically stop.

The On/Off indicator light remains on until the On/Off pushbutton is depressed.

10. Switch off the dishwasher

Switch off the dishwasher by pressing the On/Off pushbutton and open the door.



When the washing programme has finished, it is recommended that the dishwasher is unplugged and the water tap turned off.

In general it is not advisable to open the door while the machine is working; if the door is opened however, a safety device ensures that the machine stops.



Caution

Do not open the door during the hot phase: this may cause hot water escape.

Care must be taken if the door is opened during the hot phase or immediately after a programme has finished, as steam may escape.

Maintenance and cleaning

Internal cleaning

Ensure that the seals around the door, the detergent and rinse aid dispensers are cleaned regularly with a damp cloth.

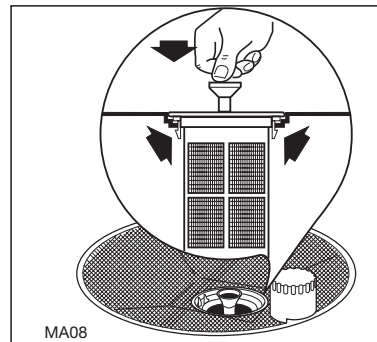
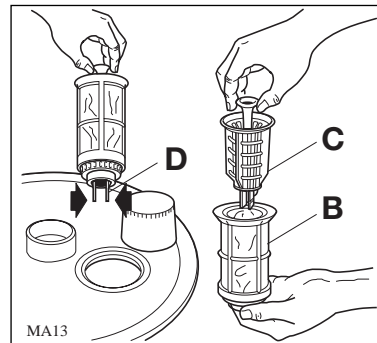
We recommend the use of **Finish Dishwasher Cleaner** every 3 months or run a 65°C wash without dishes using detergent. Regular use of Finish Dishwasher Cleaner cleans inaccessible parts, eliminates unpleasant food odours and helps prevent the build-up of limescale.

Cleaning the central filters (After each wash)

Inspect the central filters (B) and (C) and remove any scraps of food with a brush, under running water.

Filters (B) and (C) are both removed by lifting up the outer one (B) (pulling the central funnel upwards); the smaller filter (C) can be removed by pressing the two tongues (D).

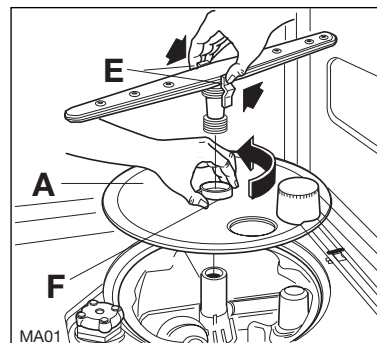
Once cleaned, refit the filters by pressing them down until they click into place.



Cleaning the large filter (Once a month)

Clean the large filter (A) on both sides under running water, using a brush.

To take it out, remove the spray arm by pressing the two tongues (E), turn the ring (F) anticlockwise and then slide the whole part out. Refit the filter following the above instructions in reverse order.



i The dishwasher must not be used without filters. Incorrect repositioning and fitting of the filters will produce poor washing results. Cleaning the filters is vital to ensure correct operation of the machine.

External cleaning

Clean the external surfaces of the machine and control panel with a damp soft cloth. If necessary use only neutral detergents. Never use abrasive products, scouring pads or solvent (acetone, trichloroethylene etc....).

Prolonged periods of non-operation

If you are not using the machine for any period of time you are advised to:

1. Unplug the appliance and then turn off the water.
2. Fill the rinse aid dispenser.
3. Leave the door ajar to prevent the formation of any unpleasant smells.
4. Leave the inside of the machine clean.

Frost precautions

Avoid placing the machine in a location where the temperature is below 0°C. If this is unavoidable, empty the machine, close the appliance door, disconnect the water inlet pipe and empty it.

Moving the machine

If you have to move the machine (moving house etc....):

1. Unplug it.
2. Turn the water tap off.
3. Remove the water inlet and discharge hoses.
4. Pull the machine out together with the hoses.

Avoid over tilting the machine during transportation.

Something not working

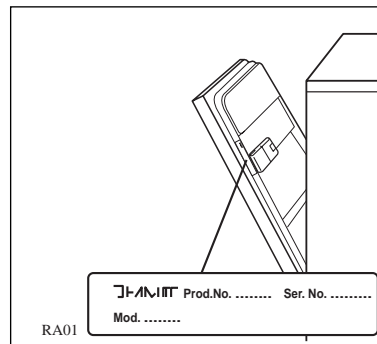
Certain problems are due to lack of simple maintenance or oversights, which can be solved easily without calling out an engineer.

Before contacting your local Service Force Centre, please carry out the checks listed below.

Important: If you call out an engineer to a fault listed below or to repair a fault caused by incorrect use or installation a charge will be made even if the appliance is in guarantee.

Symptom	Solution
The machine will not start	<ul style="list-style-type: none"> ● The door has not been properly closed. ● The plug is not properly inserted in the power socket. ● There is no current at the socket.
The machine does not fill with water	<ul style="list-style-type: none"> ● Ensure the water tap is open. ● Ensure the mains water supply has not been cut off. ● The inlet hose may be squashed or bent. Reposition the hose. ● The inlet hose may be blocked. Switch off the water supply and clean the filter.
The filters are blocked	<ul style="list-style-type: none"> ● Clean the filters (refer to "Maintenance and cleaning").
The spray arms are not rotating	<ul style="list-style-type: none"> ● Ensure the crockery is loaded correctly.
The dishwasher will not drain	<ul style="list-style-type: none"> ● The drain hose may be squashed or bent. Reposition the hose. ● The sink may be blocked. Clear any blockages. ● The drain hose extension is not correct. Follow the instructions for connecting to the waste. ● There is no vent in the end of the drain hose.
The machine is noisy	<ul style="list-style-type: none"> ● Dishes are rattling against each other, refer to "Loading your machine". ● The spray arms are knocking against the dishes. Refer to "Loading your machine".
The door is difficult to close	<ul style="list-style-type: none"> ● The dishwasher is not level, or not properly built-in.
Visible lime deposits or white film on the dishes	<ul style="list-style-type: none"> ● Check that there is salt and that the salt cap is tight. ● Check that the right level of the water softener is setted.
The dishes are not quite dry	<ul style="list-style-type: none"> ● The rinse aid has run out or too little is being used.
The dishes are not clean (poor wash)	<ul style="list-style-type: none"> ● The baskets are too full. ● The dishes have not been arranged properly. ● The spray arms do not rotate ● The spray arms are clogged. ● The filters are clogged. ● The filters are not in position. ● Not enough detergent has been used or it is unsuitable. ● The detergent is old or has gone hard. ● The salt container cap is not properly closed. ● The washing programme selected is too gentle.

If after all these checks, the problem persists, contact your local Service Force Centre, quoting the model and serial number. This information can be found on the rating plate located on the right hand side of the dishwasher door (see picture).



Service and spare parts

In the event of your appliance requiring service, or if you wish to purchase spare parts please contact your local Zanussi Service Force Centre by telephoning:

08705 929929

Your telephone call will be automatically routed to the Service Centre covering your post code area. Service Centre addresses can be found in the accompanying Customer Care book.

Before calling out an engineer, please ensure you have read the details under the heading "Something Not Working" and have the model number and purchase date to hand.

i **In-guarantee customers should ensure that the checks under the heading "Something Not Working" have been made as the engineer will make a charge if the fault is not a mechanical or electrical breakdown. Please note that it will be necessary to provide proof of purchase for any in-guarantee service calls.**

Customer Care Department

For general enquiries concerning your Zanussi appliance or for further information on Zanussi products please contact our Customer Care Department by letter or telephone as follows:

Customer Care Department
Zanussi
55-77 High Street
Slough
Berkshire
SL1 1DZ
Tel: 08705 727727

Guarantee conditions

Standard guarantee conditions

We, Zanussi, undertake that if within 12 months of the date of purchase this Zanussi appliance or any part thereof is proved to be defective by reason only of faulty workmanship or materials, we will, at our option repair or replace the same FREE OF CHARGE for labour, materials or carriage on condition that:

- The appliance has been correctly installed and used only on the electricity supply stated on the rating plate.
- The appliance has been used for normal domestic purposes only, and in accordance with the manufacturer's instructions.
- The appliance has not been serviced, maintained repaired, taken apart or tampered with by any person not authorised by us.
- All service work under this guarantee must be undertaken by a Zanussi Service Force Centre.
- Any appliance or defective part replaced shall become the Company's property.
- This guarantee is in addition to your statutory and other legal rights.

Home visits are made between **8.30am** and **5.30pm** Monday to Friday. Visits may be available outside these hours in which case a **premium** will be charged.

Exclusions

This guarantee does not cover:

- Damage or calls resulting from transportation, improper use or neglect, the replacement of any light bulbs or removable parts of glass or plastic.
- Costs incurred for calls to put right an appliance which is improperly installed or calls to appliances outside the United Kingdom.
- Appliances found to be in use within a commercial environment, plus those which are subject to rental agreements.
- Products of Zanussi manufacture which are not marketed by Zanussi.

European Guarantee

If you should move to another country within Europe then your guarantee moves with you to your new home subject to the following qualifications:

- The guarantee starts from the date you first purchased your product.
- The guarantee is for the same period and to the same extent for labour and parts as exists in the new country of use for this brand or range of products.
- This guarantee relates to you and cannot be transferred to another user.
- Your new home is within European Community (EC) or European Free Trade Area.
- The product is installed and used in accordance with our instructions and is only used domestically, i.e. a normal household.
- The product is installed taking in account regulations in your new country.

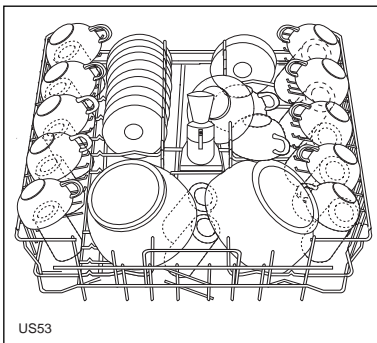
Before you move please contact your nearest Customer Care centre, listed below, to give them details of your new home. They will then ensure that the local Service Organisation is aware of your move and able to look after you and your appliance.

France	Senlis	+33 (0) 44 62 29 99
Germany	Nuremberg	+49 (0) 911 323 2600
Italy	Pordenone	+39 (0) 1678 47053
Sweden	Stockholm	+46 (0) 8 738 79 50
UK	Slough	+44 (0) 1753 219897

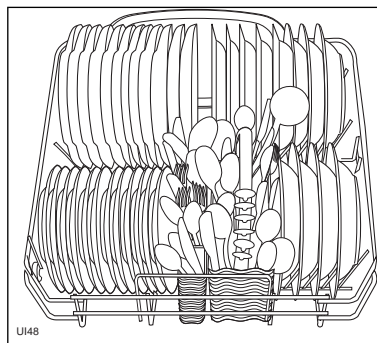
Hints for test centres

Before starting any test it is necessary to fill completely with salt the salt container and with rinse aid the rinse aid dispenser.

Test standard	EN 50242
Reference programme:	Intensive 65°C
Load:	12 standard place settings
Rinse aid selector:	position 5
Detergent dosage :	25 g in the dispenser 5 g on the dispenser lid



Arrangement
upper basket



Arrangement
lower basket

Technical specifications

DIMENSIONS	Width	60 cm
	Height with worktop	85 cm
	Height without worktop	82 cm
	Max depth	60 cm
	Max depth with open door	115.2 cm
ELECTRICAL CONNECTION MOTOR RATING DURING WASH POWER OF HEATING ELEMENT OVERALL POWER	Voltage	220/240 V - 50 Hz
		200 W
		2570 W
		2770 W
WATER SUPPLY PRESSURE	Minimum	50 kPa (0.5 bar)
	Maximum	800 kPa (8 bar)
CAPACITY		12 place settings

Installation instructions



Any electrical work required to install this appliance should be carried out by a qualified electrician or competent person.

Any plumbing work required to install this appliance should be carried out by a qualified plumber or competent person.

Remove all packaging before positioning the machine.

If possible, position the machine next to a water tap and a drain.

Water supply connections

This dishwasher must be plumbed into a cold water supply.

The water pressure must be within the limits given in the technical specifications.

Your local Water Authority will advise you on the average mains pressure in your area.

The dishwasher features fill and drain hoses which can be turned either to the left or the right to suit the installation.

The locknut must be correctly fitted to avoid water leaks.

Avoid bends or kinks in the hose which could prevent or slow down the water supply.

If the machine is connected to new pipes or pipes which have not been used for a long time, you should run the water for a few minutes before connecting the inlet hose. This will prevent deposits of sand or rust clogging the inlet hose filter.

Water outlet hose connection

The end of the drain hose can be connected in the following ways:

1. To the sink outlet siphon, securing it if necessary with a clip.
2. Hooked over the edge of the sink using the special curved plastic guide provided.
3. To a stand pipe provided with vent-hole, minimum internal diameter 4 cm.

The waste connection must be at a height of between 30 cm (minimum) and 100 cm (maximum) from the bottom of the dishwasher.

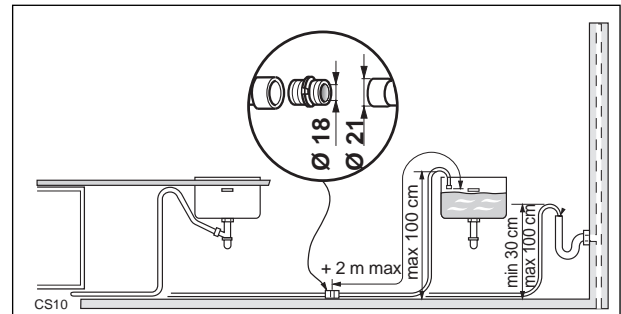
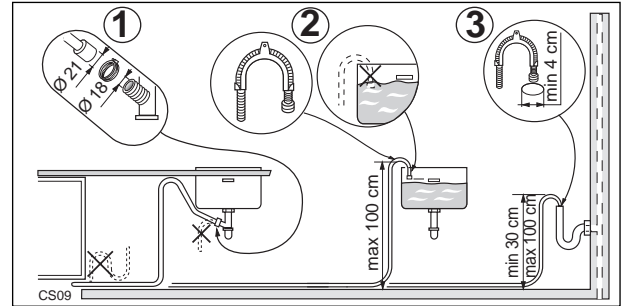
The drain hose can face either to the right or left of the dishwasher.

Ensure the hose is not bent or squashed as this could prevent or slow down the discharge of water.

If you use a drain hose extension it must be no longer than 2 metres and its internal diameter must be no smaller than the diameter of the hose provided.

Likewise the internal diameter of the couplings used for connections to the waste outlet must be no smaller than the diameter of the hose provided.

The sink plug must not be in place when the machine is draining as this could cause the water to siphon back into the machine.



Electrical connection



**This appliance must be earthed.
The manufacturer declines any
responsibility should this safety measures
not be observed.**

If the plug that is fitted to your appliance is not suitable for the socket, it must be cut off and the appropriate plug fitted.

Important

The wires on the mains lead are coloured in accordance with the following code:

Green and Yellow -Earth
Blue -Neutral
Brown -Live

If you fit your own plug, the colours of the wires in the mains lead of your appliance may not correspond with the markings identifying the terminals in your plug.

Proceed as follows:

1. Connect the Green and Yellow (earth) wire to the terminal in the plug which is marked with the letter "E" or the earth symbol or coloured green and yellow.
2. Connect the Blue (neutral) wire to the terminal in the plug which is marked with the letter "N" or coloured black.
3. Connect the Brown (live) wire to the terminal in the plug which is marked with the letter "L" or coloured red.

The plug moulded onto the lead incorporates a 13amp BSI362 fuse. Only ASTA or BSI fuses should be used.

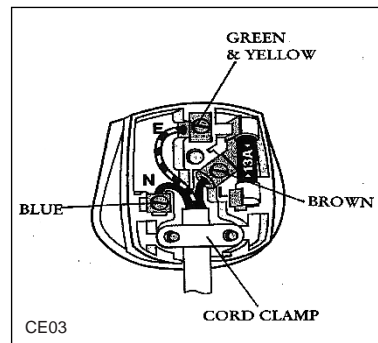
The plug must not be used if the fuse cover/carrier is lost. The cover/carrier is indicated by the coloured insert at the base of the product.

A replacement cover/carrier must be obtained from your local Service Force Centre.

This appliance complies with the following E.E.C. Directives:

- 73/23 or 19.2.73 (Low Voltage Directive) and subsequent modifications;

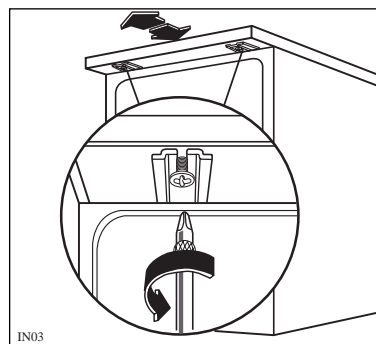
- 89/336 or 3.5.89 (Electromagnetic Compatibility Directive) and subsequent modifications.



Adjusting the worktop

You can move the worktop forward or backward by 25 mm in order to align the machine with other kitchen units.

Simply unscrew the two front retaining screws, move the top to the required position and then retighten the screws.



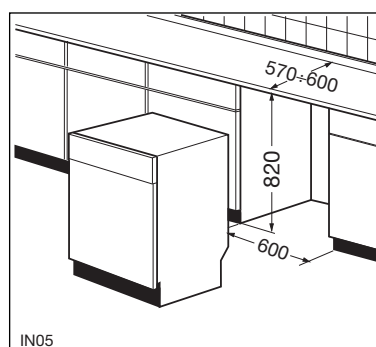
Fitting under a counter (kitchen worktop or sink)

By removing the machine's worktop, you can install it under a close fitting sink unit or a pre-existing top, providing the dimensions of the recess correspond to those shown in the picture.

Proceed as follows:

- Remove the machine's worktop by unscrewing the two front retaining screws, pull from the front and slide out the rear slots, lifting the worktop.

Insert the machine after adjusting height and levelling with the adjustable feet. When inserting the machine, ensure that the water inlet and drain hoses are not kinked or squashed.



Levelling

Good levelling is essential for correct closure and sealing of the door.

When the appliance is correctly levelled, the door will not catch on the levelling spacers, either side of the cabinet.

If the door does not close correctly, loosen or tighten the adjustable feet until the machine is perfectly level.

