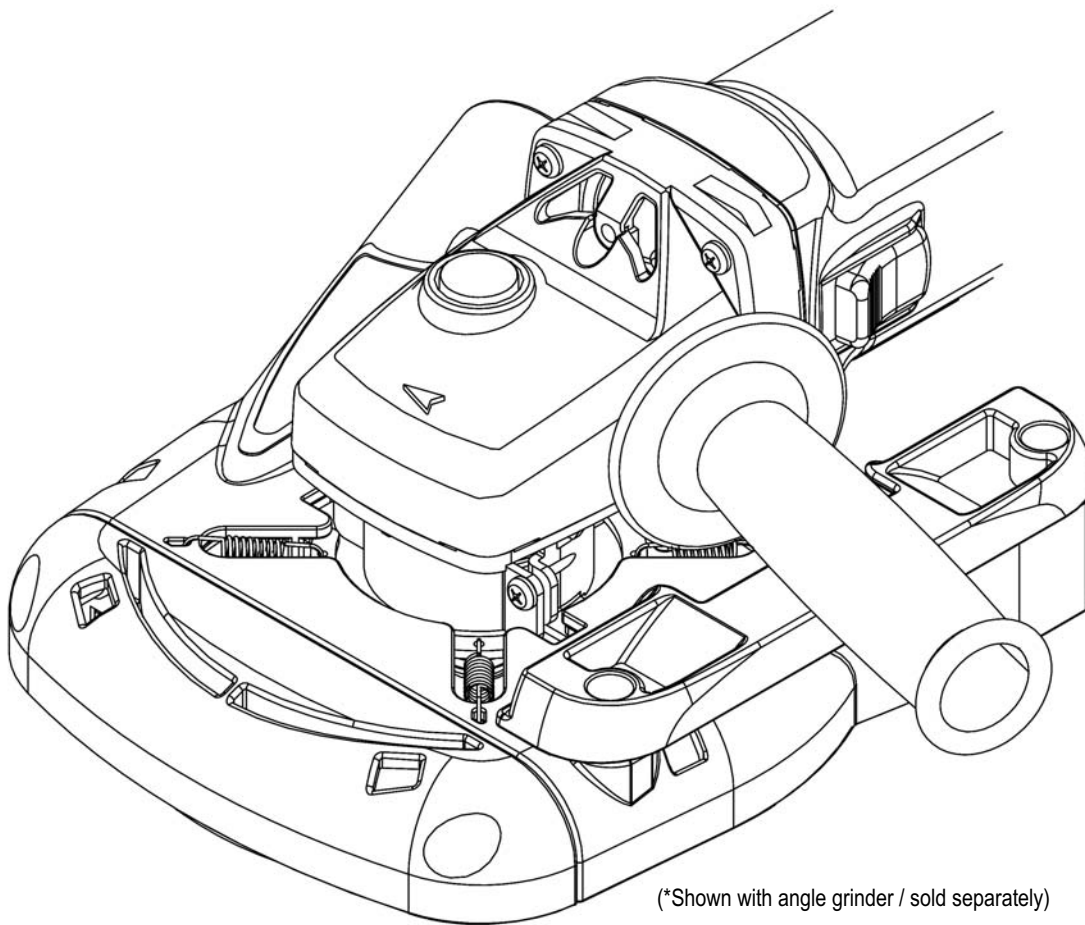

Alpha[®] Ecoguard Type G Dust Collection Cover Instruction Manual



(*Shown with angle grinder / sold separately)

Part No: ECOGRDGR
Version 1

 **Alpha Professional Tools**[®]

103 Bauer Drive, Oakland, NJ 07436 • 800-648-7229 • Fax: 800-286-0114
www.alpha-tools.com

TABLE OF CONTENTS


Introduction.....	3
About the Symbols.....	3
Ecoguard Type G Overview.....	4
Accessories	4
Installing the Dust Collection Cover	5
Installing the Connector	5
Mounting the Grinding Cup Wheel to the Grinder	6
Grinding Applications.....	8
Surface Grinding.....	11
Wall Grinding	11
Attaching the Dust Collector	12
Ecoguard Type G Schematic.....	13
Ecoguard Type G Other Connectors and Spacers.....	14
Ecoguard Type G Parts List.....	15


INTRODUCTION


Thank you for purchasing the Alpha® Ecoguard Type G Dust Collection Cover. The Ecoguard Type G must be used with a vacuum, or other dust collection system. To ensure correct use, read this Instruction Manual and the Instruction Manual for the power tool and follow the operating instructions. Keep this manual in a place where operators can access it easily whenever necessary!

► **ABOUT THE SYMBOLS**

According to the hazard level, all safety notes in this manual are classified into “**DANGER**”, “**WARNING**”, and “**CAUTION**”.

 **DANGER!** Death or serious personal injury is imminent when handling this polisher incorrectly.

 **WARNING!** There is a possibility of death or serious personal injury when handling this polisher incorrectly.

 **CAUTION!** There is a possibility of personal injury or property damage when handling this polisher incorrectly.

Note: In some situations, failing to observe WARNING notes could result in death or serious personal injury. Be sure to read and observe the safety notes to ensure safety and correct use of the polisher.

► **PRECAUTIONS FOR USING DUST COLLECTION COVER**

1. The Dust Collection Cover is for use with a 4.5” (115mm) and 5” (125mm) high-speed angle grinder.
2. The Dust Collection Cover is designed for grinding concrete, stone and other masonry products. Do not use when cutting metal or other materials.
3. The Dust Collection Cover is solely designed for use with a diamond cup wheel. Do not use with any other type of blade such as a grindstone or chip saw.
4. Always check the Dust Collection Cover for damage, cracks or deformation before starting work. Do not use the Dust Collection Cover if it is damaged, cracked or bent as this could cause to injury.
5. Always wear eye protection. Dust mask, nonskid safety shoes, hard hat, or hearing protection must be used for appropriate conditions.
6. Keep the Dust Collection Cover away from gasoline, thinner, petroleum and paraffin.
7. The supplied connector may not connect securely to every high-speed angle grinder. In this case, do not use the Dust Collection Cover.

ECOGUARD TYPE G OVERVIEW



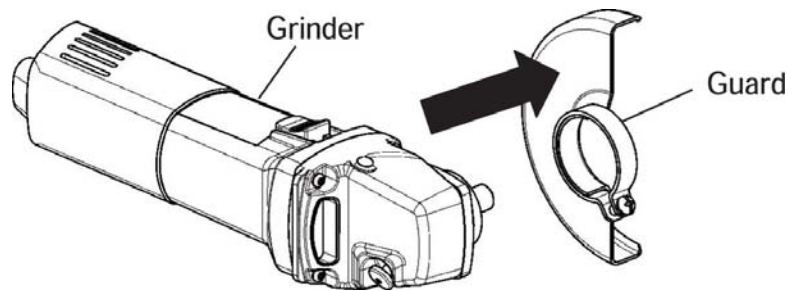
► ACCESSORIES

Ecoguard Dust Collection Cover w/ Connector (Part# 500028)	1 pc
Collar	2 pcs
Additional Connector Assembly for Most 5" Grinders.....	2 pcs
Flanges and Lock nut Set for Selected Grinders.....	1 Set (3pcs)
Hex Wrench.....	1 pc
Rubber Hose Adapter	1 pc
Spacers	4 pcs
Stainless Steel Hose Band	1 pc
Pin Wrench.....	1 pc

INSTALLING THE DUST COLLECTION COVER

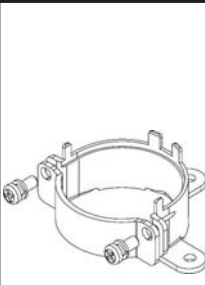
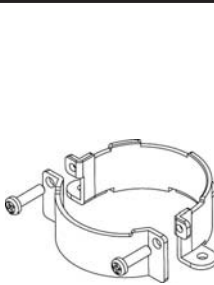
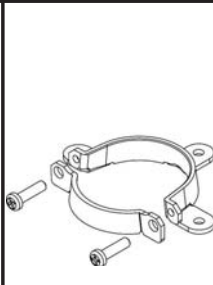
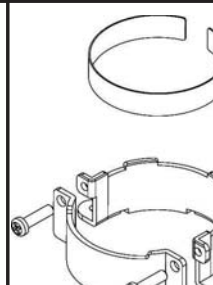
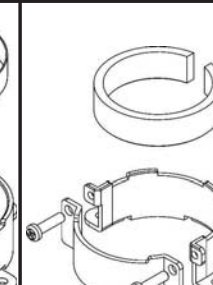
⚠ WARNING!

1. Be sure to turn off the high-speed angle grinder and remove the plug from the electrical outlet before attaching and installing the Dust Collection Cover.
2. Take the Guard off from the Grinder



2. Make sure the Dust Collection Cover is securely attached, otherwise it may come loose which could cause injury.
3. If you installed the Dust Collection Cover to a high-speed angle grinder but the connector is loose and cannot be securely attached, do not use the Dust Collection Cover. Using it in this state could cause injury.

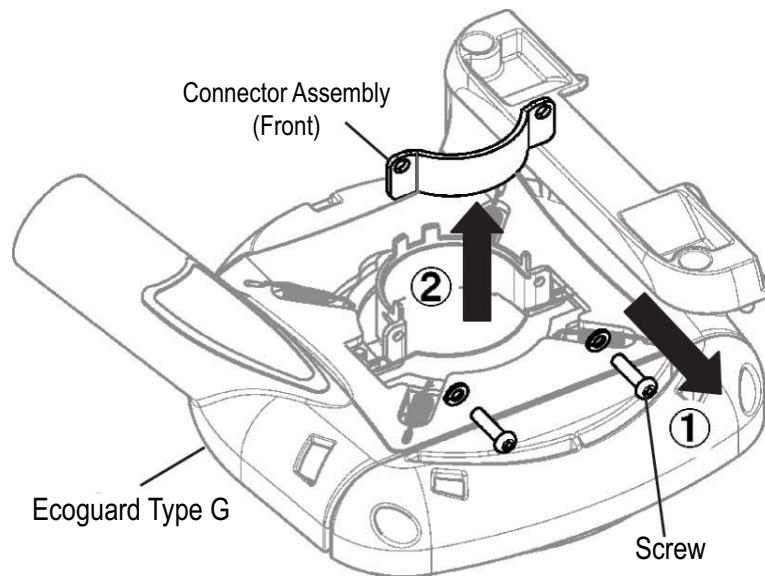
► INSTALLING THE CONNECTOR

ALPHA® / MAKITA®	BOSCH	HITACHI	METABO®	DEWALT
HSG-125	1801	G12SR3 G13SE2 & G12SS	WE9-125 Quick & W11-125 Quick	D28402 & D28131
9565CV, 9558NB				
 (Factory Preset)				

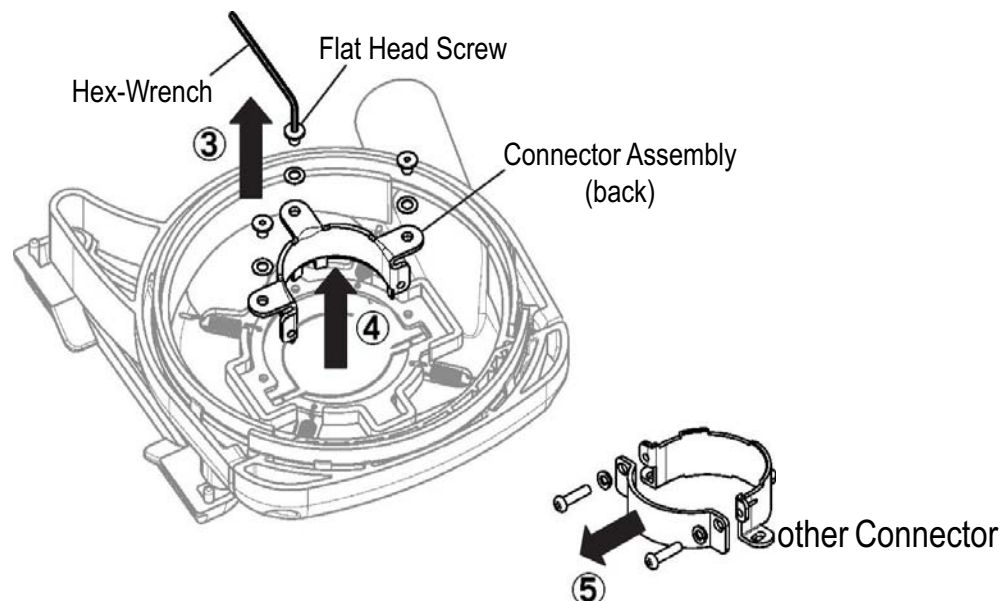
(Fig.1)

If the different Connector is needed, exchange the connector as per the following instructions.

1. Loosen the Screws.
2. Take the front of the Connector Assembly off.

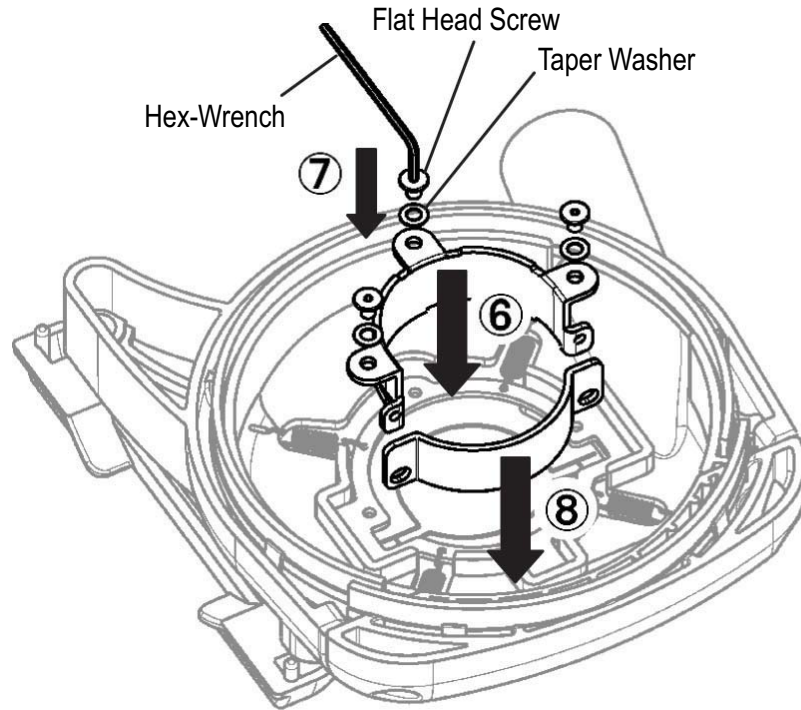


3. Loosen the Flat Head Screws using the Hex Wrench.
4. Take the back of the Connector Assembly off.
5. Replace with other Connector.

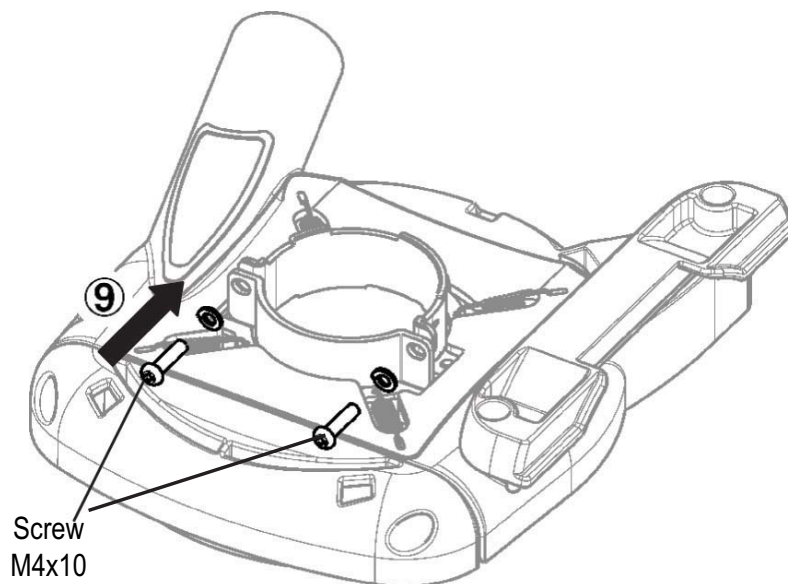


Assembly.

7. Tighten Flat Head Screws with Hex Wrench.
(DO NOT forget to insert Taper Washers)



8. Tighten the Screws
(DO NOT forget to insert Spring Washers)



⚠ CAUTION!

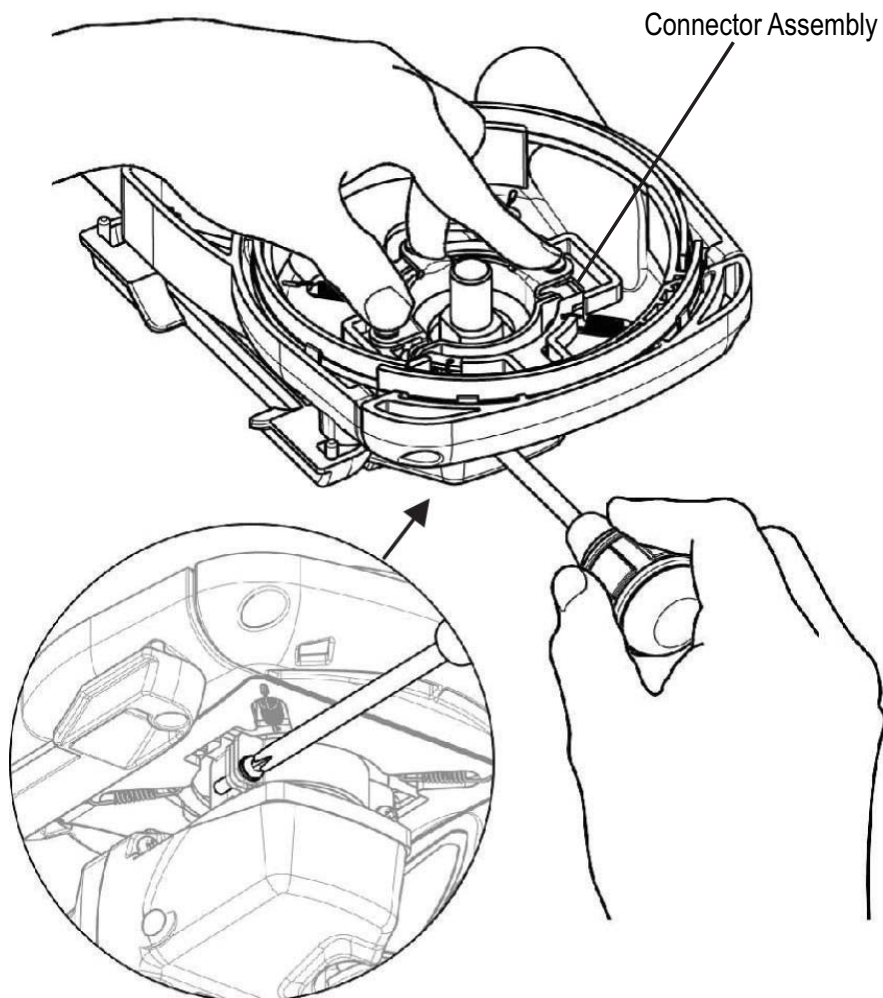
The Dust Collection Cover is solely designed for use with a grinding cup wheel. Do not use with any other type of blade, such as a cutoff or tip saw blades.

MOUNTING THE GRINDING CUP WHEEL TO THE GRINDER

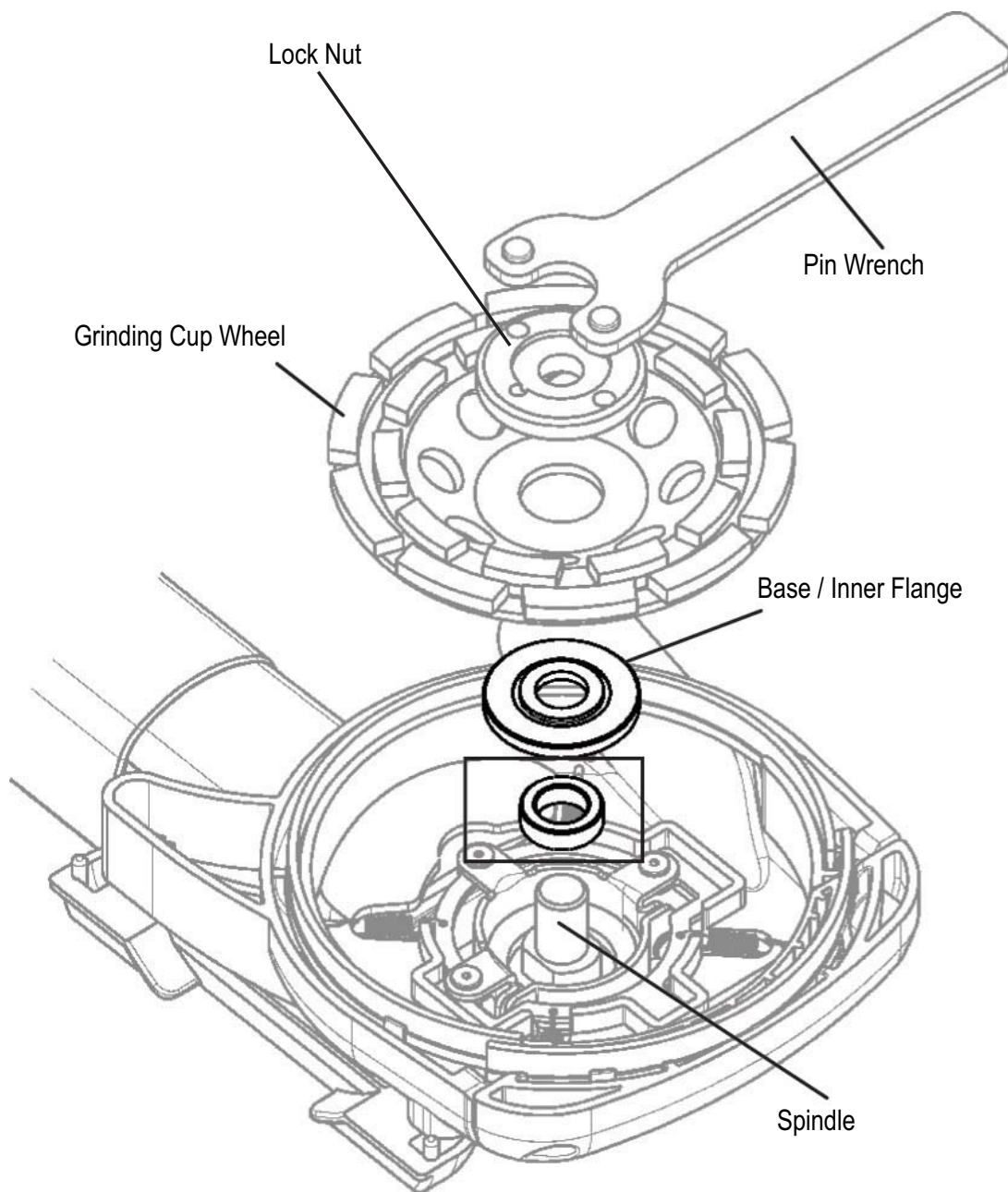
⚠ WARNING!

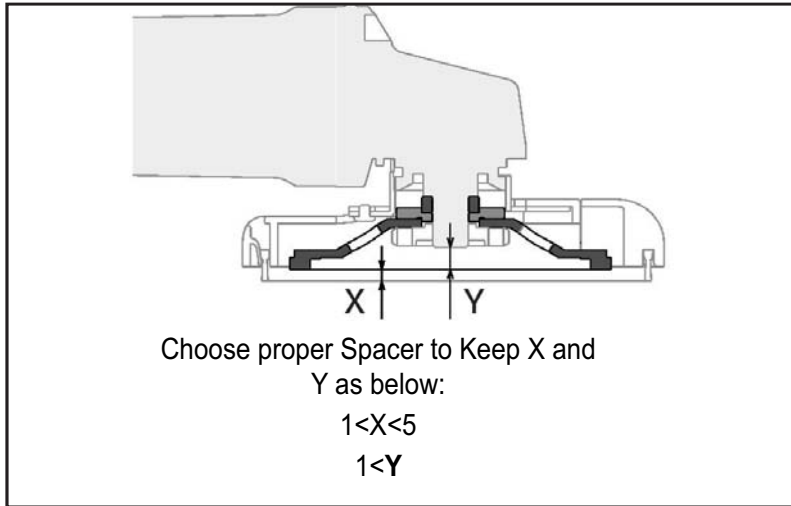
Make sure the Ecoguard Type G is securely attached to the grinder, otherwise it may come loose, causing injury.

1. Firmly hold Connector Assembly and tighten the screws.









2. Set the proper Spacer into the spindle.
3. Set the Base or Inner Flange on the Spacer.
4. Set the Grinding Cup Wheel on the Base or Inner Flange.
5. Set the Lock Nut on the Grinding Cup Wheel.
(Be careful to ensure the correct direction of the Lock Nut)
2. Depress the spindle and tighten the Lock Nut with the Pin Wrench.





Reference: Example of the combination of Spacer and Base Flange

CUP Type	Parts	ALPHA®	MAKITA®		HITACHI	
		HSG-125	9565CV	9558NB	G12S43	G13SE2
(A) $h=21$ 	Flange	500029				
	Lock Nut	Original				
	Spacer	500011 / T2.5	N/A		500011 / T2.5	
(B) $h=17$ 	Flange	500029				
	Lock Nut	Original				
	Spacer	500011 / T2.5	N/A		500012 / T5.0	
(C) $h=24$ 	Flange	N/A				
	Lock Nut					
	Spacer					

CUP Type	Parts	METABO®		BOSCH	DEWALT	
		WE9-125	W11-125	1801	D28402	D28131
(A) $h=21$ 	Flange	500029			500007	
	Lock Nut	Original			500008	
	Spacer	500011 / T2.5	500012 / T5.0		N/A	
(B) $h=17$ 	Flange	500029			500007	
	Lock Nut	Original			500008	
	Spacer	500012 / T5.0	500013 / T7.0		500011 / T2.5	
(C) $h=24$ 	Flange	N/A				
	Lock Nut					
	Spacer					

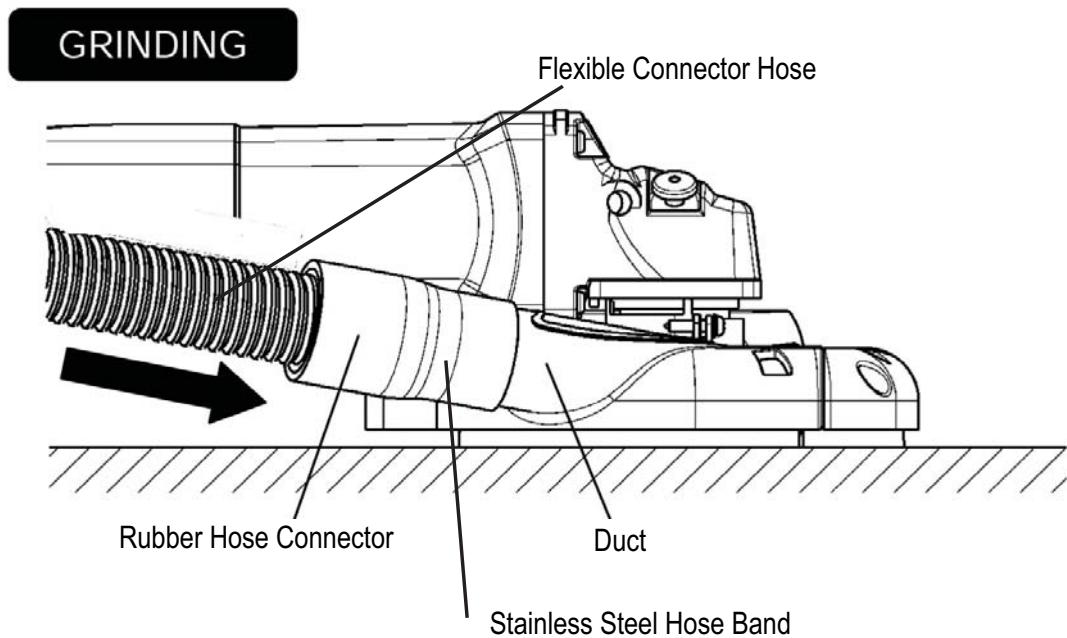
Cup Type C does not need Drawing No. 12/Base Flange

GRINDING APPLICATIONS

► SURFACE GRINDING

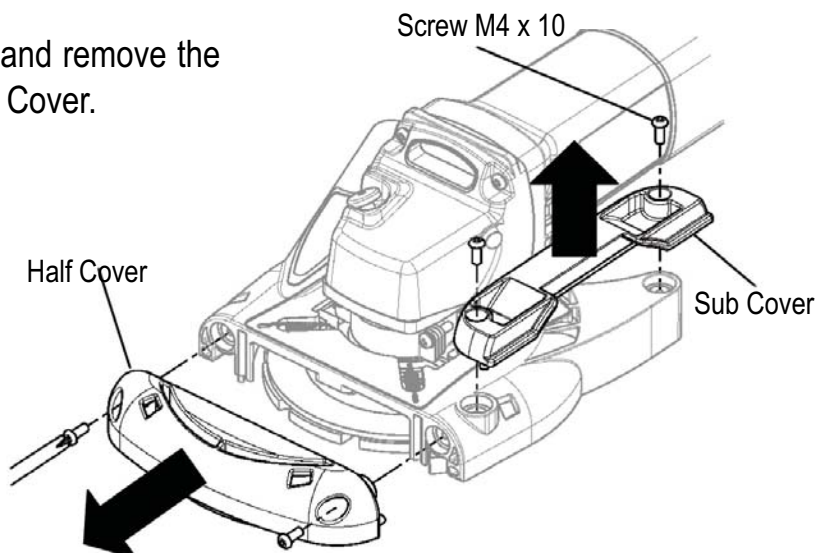
Securely connect the Flexible Connector Hose to the Dust Collection Cover. Turn Grinder and Vacuum on to start grinding application.

Use the Alpha® Rubber Hose Connector as a joint between duct and Flexible Connector Hose.

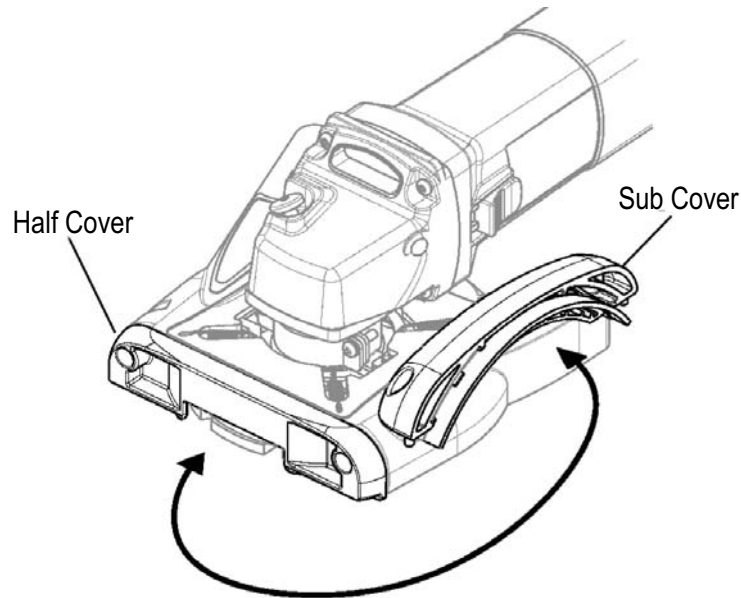


► WALL GRINDING

1. Loosen the screws and remove the Sub Cover and Half Cover.

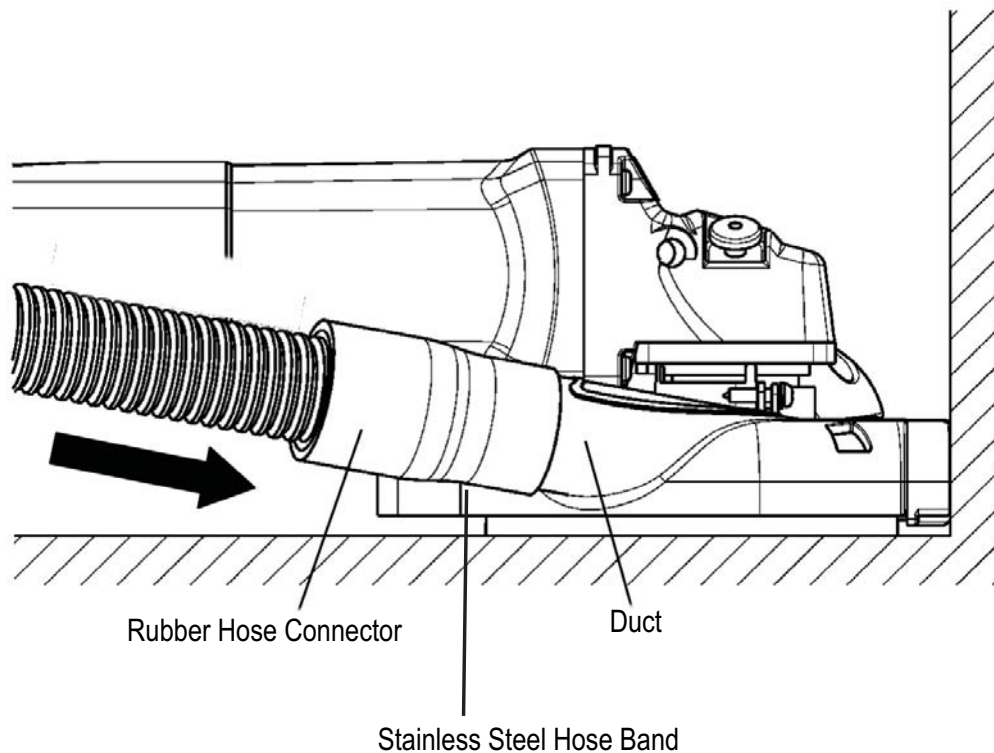


2. Switch the position of the Sub Cover and Half Cover.
3. Tighten screws.

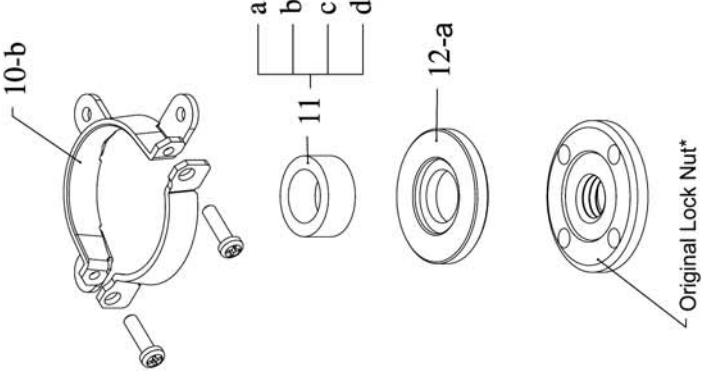
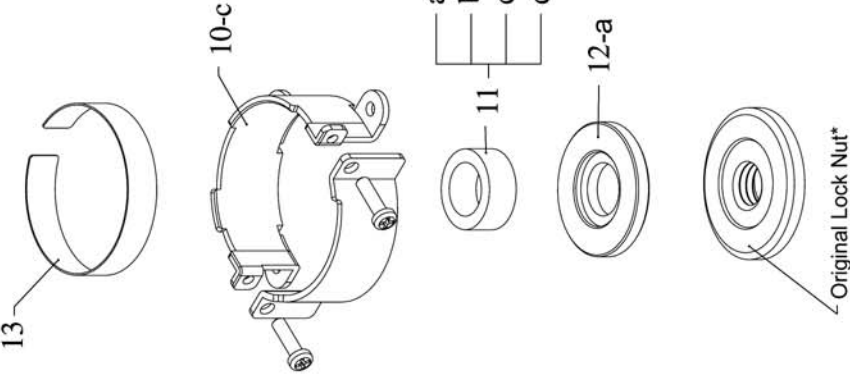
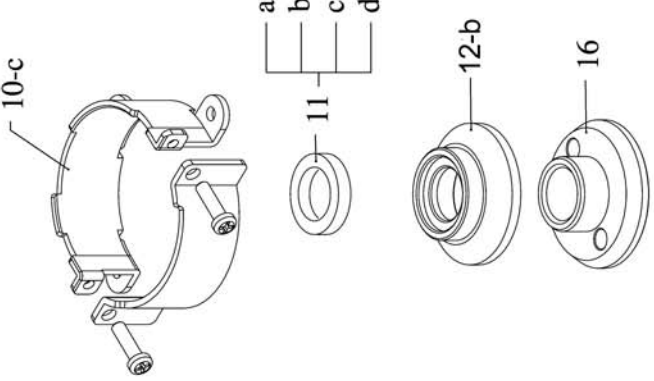
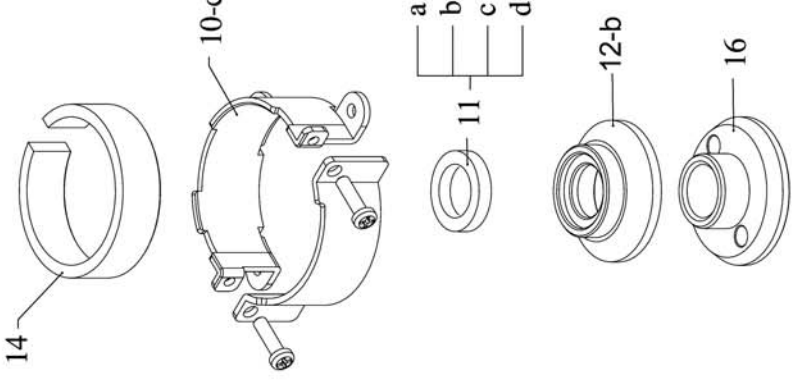


ATTACHING THE DUST COLLECTOR

1. Securely connect Flexible Connector Hose to the duct of the grinder, then turn Grinder and Vacuum Cleaner on to start grinding application.
2. Use an adapter such as the Alpha[®] Rubber Hose Connector as a joint between the duct and the Flexible Hose Connector.



ECOGUARD TYPE G OTHER CONNECTORS AND SPACERS

HITACHI	METABO	BOSCH	DEWALT
 <p>10-b</p> <p>11</p> <p>12-a</p> <p>Original Lock Nut*</p>	 <p>13</p> <p>10-c</p> <p>11</p> <p>12-a</p> <p>Original Lock Nut*</p>	 <p>10-c</p> <p>11</p> <p>12-b</p> <p>16</p>	 <p>14</p> <p>10-c</p> <p>11</p> <p>12-b</p> <p>16</p>

11-a,b,c,d - Choose spacer according to Cup Type. (See chart on page 10)

*Original indicates Lock Nut included with Tool.

ALPHA® ECOGUARD TYPE G PARTS LIST

DRAWING NO.	PART NO.	DESCRIPTION	QUANTITY
1	500032	Main Cover	1
2	500033	Sub Cover	1
3	500034	Half Cover	1
4	500005	Rubber Hose Adapter	1
5	500006	Stainless Steel Hose Band	1
6	500037	Screw M4x10	4
7	500038	Set Plate	1
8	500039	Holder Spring	4
9	500020	Flat Head Screw M4x5	3
10a	500028	Connector Assembly (Alpha®/Makita®)	1
10b	500003	Connector Assembly (Hitachi)	1
10c	500004	Connector Assembly (Metabo®/Bosch /Dewalt)	1
11a	500011	Spacer / T2.5	1
11b	500012	Spacer / T5.0	1
11c	500013	Spacer / T7.0	1
11d	500014	Spacer / T9.4	1
12a	500029	Base Flange	1
12b	500007	Inner Flange	1
13	500022	Collar M (Metabo)	1
14	500035	Collar D (Dewalt)	1
16	500008	Lock Nut	1
17	500024	Hex. Wrench	1
18	210105	Pin Wrench	1
19	500036	Seal	1
20	500040	Brand Label	1
21	500041	Brush (A)	1
22	500042	Brush (B)	1
23	500021	Taper Washer	3
Optional Accessory:			
Shown on pg 4	500026	Flexible Connector Hose 18"	1



103 Bauer Drive, Oakland, NJ 07436 • 800-648-7229 • Fax: 800-286-0114
www.alpha-tools.com

Copyright © 2010 Alpha Professional Tools. All rights reserved.

10/2010
