



## Dear customer,

Please read these user instructions carefully.

Above all please observe the safety instructions on the first few pages of these user instructions! Please keep these user instructions for later reference. Pass them on to any subsequent owner of the appliance.



The warning triangle and/or specific words (**Warning!**, **Caution!**, **Important!**) are used to highlight instructions that are important for your safety or for the function of the appliance. It is imperative that these instructions are observed.



This symbol or numbered instruction steps lead you step for step through the operation of the appliance.



Next to this symbol you receive additional information and practical tips on using the appliance.



Tips and instructions for the economical and environmentally conscious use of the appliance are marked with a clover leaf.

In the event of a malfunction, these operating instructions contain information on how to rectify faults yourself, see the "What to do, if..." section.

If these instructions are insufficient, please contact your nearest customer service centre.

In the case of technical problems, our customer service organisation is available to provide you with assistance at any time (you will find addresses and telephone numbers in the "Customer Service Centres" section).

In this respect please read the "Service" note on the rear of these user instructions.



**Your dishwasher is fitted with the new "PULSE WASH" wash system. With this wash system, the motor speed and spray pressure are varied during the wash programme to improve the cleaning of the dishes. It is for this reason that the noise level changes during the wash programme.**

Printed on paper manufactured with environmentally sound processes. He who thinks ecologically acts accordingly ...

# CONTENTS

<b>Operating instructions</b> .....	5
<b>Safety instructions</b> .....	5
<b>Disposal</b> .....	7
<b>Economical and Ecological Dishwashing</b> .....	8
<b>Appliance Features and Control Panel</b> .....	9
Control panel .....	10
<b>Prior to using for the first time</b> .....	10
Adjust the water softener .....	11
Filling with Special Salt for the Water Softener .....	12
Filling with Rinse Aid .....	13
Adjusting Rinse Aid Dosing .....	14
<b>In Daily Use</b> .....	15
Loading cutlery and dishes .....	15
Loading Cutlery .....	16
Loading Pans, Frying Pans and Large Plates .....	17
Loading Cups, Glasses and Coffee Services .....	18
Filling with Detergent .....	19
Bio Wash Programmes and Concentrated Detergents .....	20
Selecting the Wash Programme (Programme Table) .....	21
Start the wash programme .....	22
Changing/Interrupting/Cancelling the Wash Programme .....	22
Load Sensing – Sensor Logic .....	23
Switching Off the Dishwasher .....	24
Emptying the Dishwasher .....	24
<b>Care and Cleaning</b> .....	24
Cleaning the Filter .....	25
<b>What to do, when ...</b> .....	26
...Error messages are displayed. ....	26
...problems occur during use of the dishwasher. ....	27
...the wash results are not satisfactory. ....	27
<b>Technical Data</b> .....	28
<b>Notes for Test Institutes</b> .....	29

---

<b>Installation and Connection Instructions</b> .....	30
<b>Installing the Dishwasher</b> .....	30
Dishwashers That Can Be Integrated .....	31
Built-In Dishwasher .....	31
Free-Standing Appliances .....	31
<b>Connecting the Dishwasher</b> .....	33
Water Connection .....	33
Permitted water pressure .....	33
Connect the inlet hose .....	33
Water drain .....	34
Leak Prevention System .....	35
Electrical connection .....	35
Connections .....	36
<b>Service Departments</b> .....	37
<b>Guarantee Conditions</b> .....	40
<b>Service</b> .....	43

# OPERATING INSTRUCTIONS



## Safety instructions

The safety features of AEG electrical appliances comply with accepted technical standards and the German Appliance Safety Law. Nevertheless, as a manufacturer we consider it our obligation to make you aware of the following safety information:

### Installation, connection and initial use

- The dishwasher may only be transported upright.
- Check the dishwasher for transport damage. Under no circumstance should a damaged appliance be connected up. In the event of damage, please contact your vendor.
- Before starting your appliance please ensure that the nominal voltage and type of current specified on the rating plate are the same as those used at the place of installation. Please also refer to the type plate for the type of fuse to be used.
- You will find details on how to correctly install and connect up your dishwasher in the "Installation" section. Multi-way plugs / connectors and extension cables must not be used. This could constitute a safety hazard.

### Child Safety

- Often children do not recognise the hazards present in the use of household appliances. Please therefore ensure that children are adequately supervised and do not let children play with the dishwasher – there is a danger that children may shut themselves in the appliance (risk of asphyxiation!).
- Packaging materials (e.g. sheet and Styrofoam) can be dangerous for children. Danger of asphyxiation! Keep packaging materials at a safe distance from children.
- Detergents can cause burns to eyes, mouth and throat or even cause asphyxiation! Please observe the detergent manufacturers safety instructions.
- The water in the dishwasher is not drinking water. If there are still remnants of detergent in the appliance, there is risk of burns!
- When disposing of the dishwasher: Pull out the mains plug, cut off the mains cable and dispose of it. Break the door lock so that the door no longer shuts.

## General safety

- Repairs to the dishwasher may only be performed by qualified service engineers. Improper repairs can give rise to significant hazards for the user. If your appliance needs repairing, please contact customer service or your dealer.
- Never use the dishwasher if the mains cable, inlet / drain hose are damaged or the control panel, work surface or plinth area are damaged such that internal components of the appliance are openly accessible.
- If the mains cable for the appliance is damaged, it must be replaced with special cable (obtainable from AEG customer service) by an AEG authorised customer service centre.
- Never unplug the appliance by pulling on the cable, always pull on the plug.
- Additions or modifications to the dishwasher are not permitted for safety reasons.
- Ensure that the door of the dishwasher is always closed, except during loading and emptying. By this means you will avoid anyone tripping over the open door and injuring themselves.
- Sharp knives and other item of cutlery with sharp edges must be laid in the upper rack or placed in the cutlery rack with the point facing downwards.

## Intended use

- Only wash household dishes with the dishwasher. If the appliance is used for purposes other than those intended or used incorrectly, no liability will be accepted by the manufacturer for any damage that may be caused.
- Prior to use ensure that the manufacturer's of the special salt, detergent and rinse aid employed specifically permit the usage of their products in household dishwashers.
- Do not put solvents in the dishwasher. There is a risk of an explosion!
- The leak prevention system provides reliable protection from damage due to water leaks. For this system to function the following prerequisites must be met:
  - The appliance must remain connected to the mains even when it is switched off.
  - The dishwasher must be correctly installed.
  - Always shut off the water supply at the tap when the dishwasher is not to be used for longer periods, e.g. when you are away on holiday.

- Do not sit or stand on the open door, the appliance may tip over.
- In the event of a fault, shut off the water supply at the tap, then switch off the appliance and unplug. In the case of a permanent connection: pull or unscrew the fuse(s).



## Disposal

### Disposing of the Packaging Material

Dispose of the dishwasher packaging material correctly. All the packaging materials used are harmless to the environment and can be recycled.

- Plastic parts are marked with standard international abbreviations:
  - >PE< for polyethylene, e.g. sheet wrapping material
  - >PS< for polystyrene, e.g. padding material (always CFC-free)
  - >POM< for polyoxymethylene, e.g. plastic clips
- Cardboard packaging is manufactured from recycled paper and should be deposited in the waste paper collection for recycling.

### Disposal of old appliances

As and when you cease to use your dishwasher, please take it to a recycling centre or to your dealer who will, for a small contribution to the costs, dispose of it for you.

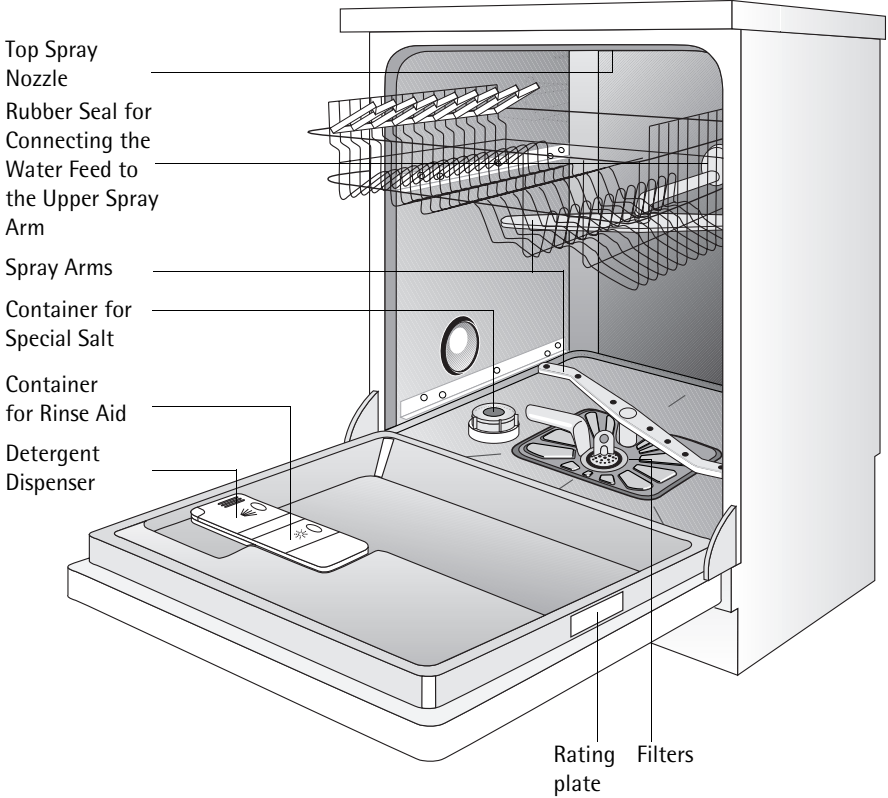


## Economical and Ecological Dishwashing

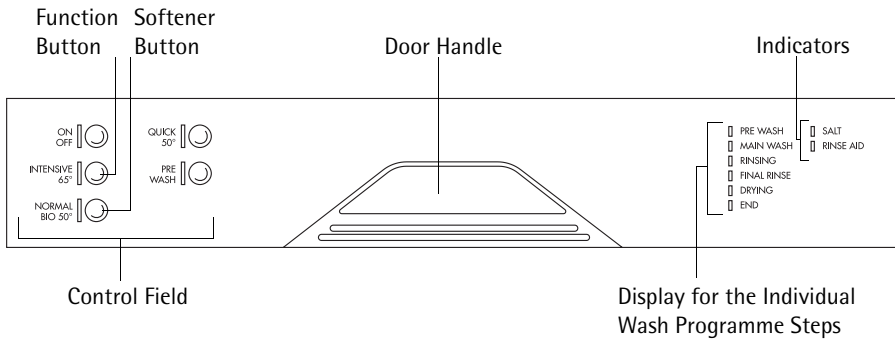
- Only connect the dishwasher to the hot water supply if your hot water is not electrically heated.
- Ensure that the water softener is correctly adjusted.
- Do not pre-rinse dishes under running water.
- When you wash a small load, the load sensor calculates the amount of water necessary and shortens the programme. It is more economical to always wash with a full load.
- Select the wash programme to suit the nature and degree of the soiling on the dishes.
- Do not use more detergent, special salt or rinse aid than is recommended in these operating instructions and by the manufacturer of the respective product.



# Appliance Features and Control Panel



## Control panel



The **Control Field** comprises the ON/OFF switch and the programme buttons with LED indicators.

**Softener and Function Button:** in addition to the wash programme marked, it is also possible to adjust the dishwasher's water softener using the combination of these buttons.

The **Indicators** have the following meanings:

SALT	Refill with special salt
RINSE AID	Refill with rinse aid

## Prior to using for the first time

Prior to using for the first time, remove all the clips with which the dish racks are secured for transport.

Then perform the following steps:

1. Adjust the water softener
2. Filling with Special Salt for the Water Softener
3. Filling with Rinse Aid

## Adjust the water softener

To avoid the scale deposits on the dishes and in the dishwasher, the dishes must be washed with soft, i.e. low lime content, water. The dishwasher therefore has a built-in water softener, in which tap water from a hardness of 4 °d (German degree) is softened with the aid of special salt.



You water supplier will be able to inform you on the hardness and hardness range of the water in your area.



Adjust the water softener to the setting that corresponds to the hardness of the water in your area. The water softener can be adjusted in 10 steps.

Water Hardness			Adjust to Hardness Setting	Number of Flashes
in °d <sup>1)</sup>	in mmol/l <sup>2)</sup>	Range		
41-50	7.3-9.0	IV	9	9
35-40	6.3-7.2		8	8
31-34	5.5-6.2		7	7
27-30	4.8-5.4		6	6
23-26	4.1-4.7		5	5
19-22	3.3-4.0	III	4	4
15-18	2.6-3.2		3*	3
11-14	1.9-2.5	II	2	2
4-10	0.7-1.8	I/II	1	1
under 4	under 0.7	I	0 no salt necessary	10

1)(°d) German degree, measure of the hardness of water

2)(mmol/l) millimol per litre, international unit for the hardness of water

\*factory setting



- The dishwasher must be switched off.
- Press the function and water softener buttons simultaneously and keep them pressed.
- In addition press the ON/OFF switch.  
The LED indicators for the function and water softener buttons flash.
- Press the softener button again.  
The water softener button indicator starts to flash.
  - The number of flashes corresponds to the hardness setting. (Exception: hardness setting 0 is indicated by 10 flashes).
  - The sequence of flashes is repeated after a 5 second pause.

5. Pressing the water softener button increases the hardness setting by 1. (Exception: hardness setting 0 follows hardness setting 9).
6. When the hardness setting is correct, press the ON/OFF switch. The hardness setting is then saved.

## Filling with Special Salt for the Water Softener



Use only special salt for dishwashers. Never fill the salt container with any another type of salt (e.g. culinary salt) or dishwasher detergent. This would irreparably damage the water softener. Prior to filling with salt, please check each time that you really do have a packet of special salt in your hand.

### Fill with special salt:

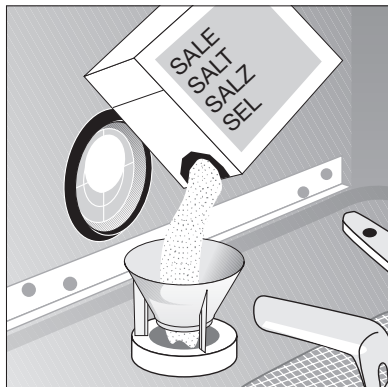
- Prior to using the dishwasher for the first time
- When the **SALT** indicator on the control panel is illuminated.



If the water hardness in your area is less than 4 °d, you do not need to use special salt.



1. Open the door, remove the lower rack.
2. Undo the lid on the salt container by turning it anticlockwise.
3. **Only when using for the first time:** fill the salt container with water.
4. Place the funnel supplied on the container opening. Fill the container with special salt through the funnel; the capacity of the container is approx. 1.0-1.5 kg depending on the grain size. Do not overfill the salt container with special salt.



The water expelled by filling the salt container with special salt runs out of the salt container onto the base of the washing compartment. This is not a cause for concern, the water will be pumped out at the start of the next wash programme.

5. Clean any salt remnants on the container opening.

- Turn the lid clockwise to the stop, otherwise special salt will leak into the wash water, this could lead to poor wash results. To avoid this run a rinse programme after filling the salt container with special salt. This will wash away salt water and any salt crystals that have been spilt.



Depending on the size of the salt grains, it can take several hours for the salt to dissolve in the water and for the SALT indicator to extinguish.

The setting of the water softener and thus the consumption of salt are dependent on the hardness of the local water.

## Filling with Rinse Aid

Rinse aid ensures that your dishes gleam and are free from spots, and that you glasses are clear.



Use only branded rinse aid for dishwashers. Never fill the rinse aid container with any another substance (e.g. concentrated vinegar). This would damage the appliance.

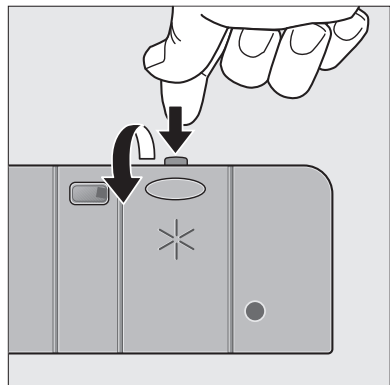
### Fill with rinse aid:

- Prior to using the dishwasher for the first time
- When the **RINSE AID** indicator on the control panel is illuminated.

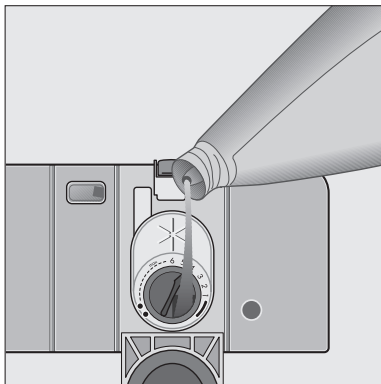
The rinse aid compartment is on the inside of the dishwasher door.



- Open the door.
- Press the rinse aid compartment release button with your finger.
- Fully open the rinse aid compartment lid.



4. Fill with rinse aid exactly up to the level marked "max"; this corresponds to a quantity of approx. 140 ml.
5. Close the lid and press until it locks into place.
6. Wipe up any spilt rinse aid with a cloth. Otherwise too much foam will be formed during the wash.

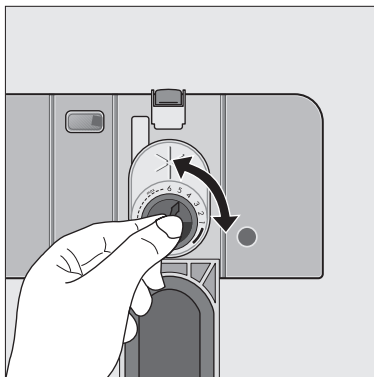


## Adjusting Rinse Aid Dosing



As the dishes are washed rinse aid is released from the dispenser into the wash water. The dose is factory set at 4, and can be adjusted from 1 to 6. Only change the setting if streaks, milky spots or dried on water marks are visible on glasses or crockery.

1. Open the door of the dishwasher.
2. Press the rinse aid compartment release button with your finger.
3. Fully open the rinse aid compartment lid.
4. Set the dose level.
5. Close the lid and press until it locks into place.
6. If rinse aid has run out, wipe up with a cloth.



## In Daily Use

- Is it necessary to refill with special salt or rinse aid?
- Load cutlery and dishes into the dishwasher
- Fill with dishwasher detergent
- Select a wash programme suitable for the cutlery and dishes
- Start the wash programme

## Loading cutlery and dishes



Sponges, household cloths and any object that can absorb water may not be washed in the dishwasher.

### For washing in the dishwasher the following cutlery/dishes

are not suitable:	are of limited suitability:
<ul style="list-style-type: none"> <li>• Cutlery with wooden, horn, china or mother of pearl handles</li> <li>• Plastic items that are not heat resistant</li> <li>• Older cutlery with cement that is not temperature resistant</li> <li>• Bonded cutlery items or dishes</li> <li>• Pewter or copper items</li> <li>• Lead crystal glass</li> <li>• Steel items subject to rusting</li> <li>• Wooden platters</li> <li>• Items made from synthetic fibres</li> </ul>	<ul style="list-style-type: none"> <li>• Only wash stoneware in the dishwasher if it is specifically marked as being dishwasher-safe by the manufacturer.</li> <li>• Glazed patterns may fade if machine washed frequently.</li> <li>• Silver and aluminium parts have a tendency to discolour during washing. Left-overs, e.g. egg white, egg yolk and mustard often cause discolouring and staining on silver. Therefore always clean left-overs from silver immediately, if it is not to be washed straight after use.</li> <li>• Some types of glass can become dull after a large number of washes.</li> </ul>

- Before loading the dishes, you should:
  - Remove large left-overs.
  - Soften remnants of burnt food in pans.
- When loading the dishes and cutlery, please note:
  - Dishes and cutlery must not impede the rotation of the spray arms.
  - Load hollow items such as cups, glasses, pans, etc. with the opening downwards so that water cannot collect in the container or a deep base.
  - Dishes and items of cutlery must not lie inside one another, or cover each other

- To avoid damage to glasses, they must not touch
- Do not lay small objects (e.g. lids) in the cutlery rack

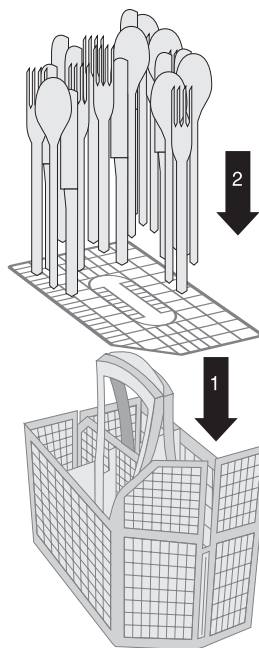
## Loading Cutlery



Long, pointed items of cutlery in the cutlery rack are a hazard, particularly to children (see Safety Instructions).

To ensure that all items of cutlery are completely washed, you should

1. Place the grid insert on the cutlery rack
2. Place short knives, forks and spoons in the grid insert with their handles pointing downwards.



To make the removal of cutlery easier, **on some dishwasher models it is possible to open the cutlery rack.**

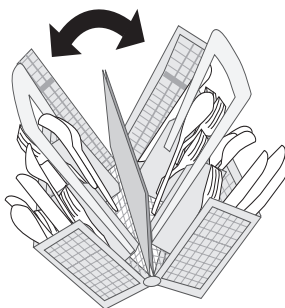
If you use the grid insert then the cutlery rack cannot be opened.



To ensure that the cutlery rack cannot open on removal from the appliance, you should always hold both parts of the two part handle.



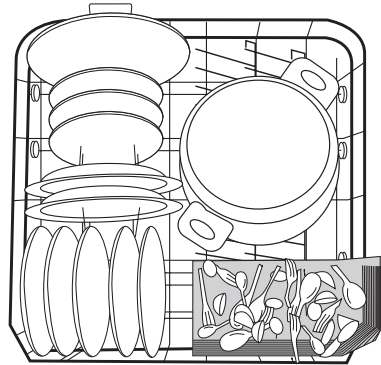
1. Place the cutlery rack on a table or work surface
2. Open the two part handle
3. Remove cutlery
4. Close the two part handle.






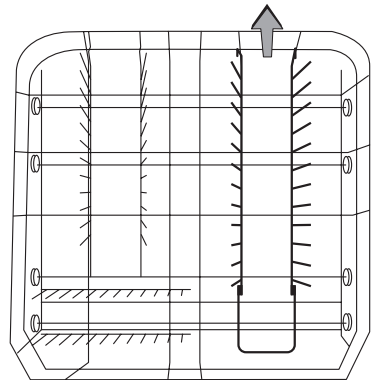
## Loading Pans, Frying Pans and Large Plates

Load large and heavily soiled dishes in the lower rack.

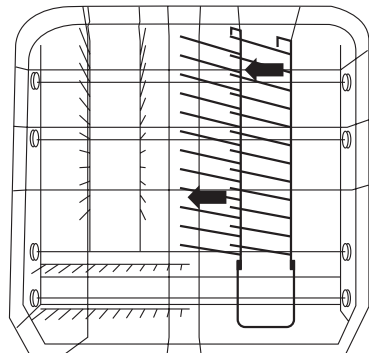


To ease the loading of large items at some dishwasher-models the two rows of prongs for the right-hand plate insert can be folded down:

 1. Slightly lift the right plate insert.

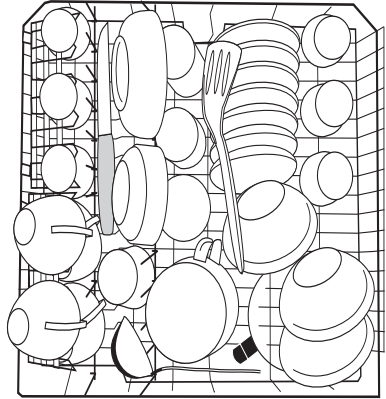


2. Fold the plate insert to the left.

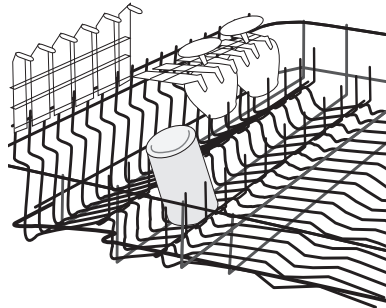


## Loading Cups, Glasses and Coffee Services

Load small, delicate items and long pointed cutlery in the upper rack.



- Arrange items of crockery on the folding cups racks so that they are offset from each other and water can reach all items.
- The cup racks can be folded up out of the way for tall items.
- Lay or hang wine, champagne, and brandy glasses in the cut outs on the cup racks.
- Glasses, beakers, etc. can also be placed on the two rows of prongs on the left of the upper rack.



## Filling with Detergent



Only use dishwasher detergent.

### Fill with detergent:

– Prior to the start of a wash programme (not for the pre wash programme). The detergent is released into the wash water during the programme.

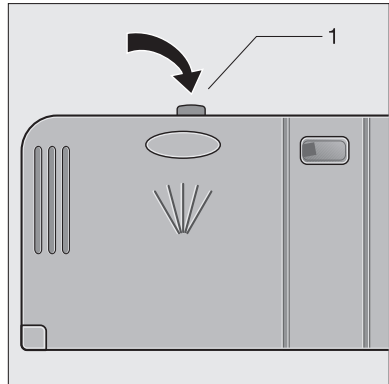


Please observe the manufacturer's dosing and storage recommendations as stated on the detergent packaging.

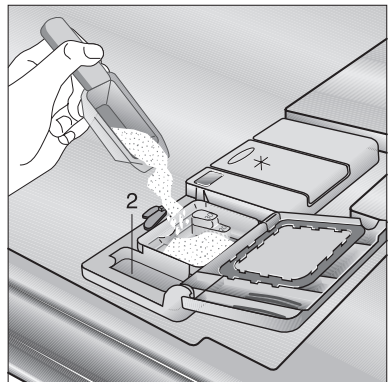
The detergent compartment is on the inside of the dishwasher door.



1. If the lid is closed: press release button (1). The lid springs open.



2. Fill the detergent dispenser with detergent. The markings indicate the dosing levels: "20" corresponds to approx. 20 ml of detergent, "30" corresponds to approx. 30 ml of detergent.
3. Close the lid and press until it locks into place.



If the dishes are very heavily soiled put additional detergent into the adjacent chamber (2). This detergent will take effect during the pre wash.

## Bio Wash Programmes and Concentrated Detergents

Based on their chemical composition, dishwasher detergents can be split into two basic types:

- Conventional, alkaline detergents with caustic components
- Weak alkaline concentrated detergents with natural enzymes.



The use of BIO wash programmes in conjunction with concentrated detergents reduces pollution and is good for your dishes; the BIO wash programmes are specially matched to the soil dissolving properties of the enzymes in the concentrated detergent. It is for this reason that BIO wash programmes can achieve the same results at 50 °C that can otherwise only be achieved using 65 °C programmes.

During BIO programmes the water is briefly heated to more than 50 °C so that the active oxygen becomes effective.



**Detergent tablets** from different manufacturers dissolve at different rates. For this reason some detergent tablets cannot develop their full cleaning power during short programmes. Therefore please use normal programmes with pre wash when using detergent tablets.

## Selecting the Wash Programme (Programme Table)

Choose the most suitable wash programme with the aid of this table:


Type of Dishes	Dinner Service and Cooking Utensils		Dessert Dishes and Coffee Service	All Dish Types
<b>In Addition</b>	-	with non-temperature resistant dishes	with delicate glasses	-
<b>Type of Soiling</b>	<ul style="list-style-type: none"> <li>heavily soiled</li> <li>dried left-overs</li> </ul>	<ul style="list-style-type: none"> <li>normally soiled</li> </ul>	<ul style="list-style-type: none"> <li>lightly soiled</li> </ul>	Used dishes that are being collected in the dishwasher for washing later.
	particularly suited to the use of concentrated detergents.			
<b>Suitable Wash Programme:</b>	↓	↓	↓	↓
	<b>INTENSIVE</b> 65 °C	<b>NORMAL BIO</b> 50 °C <sup>1)</sup>	<b>QUICK</b> 50 °C	<b>PRE WASH</b>
<b>Programme Sequence</b> <sup>2)</sup>	Pre Wash Main Wash 2x Intermediate Rinses Final Rinse Drying	Pre Wash Main Wash Intermediate Rinse Final Rinse Drying	- Main Wash Intermediate Rinse Final Rinse -	Pre Wash - - - -
<b>Consumption Figures:</b> <sup>3)</sup>	↓	↓	↓	↓
<b>Duration</b>	95 – 105 min.	87 – 97 min.	30 min.	10 min.
<b>Energy</b>	1.35 – 1.55 kWh	1.04 – 1.24 kWh	0.85 kWh	< 0.1 kWh
<b>Water</b>	18 – 20 litres	14 – 16 litres	12 litres	4 litres


<sup>1)</sup> During BIO programmes the water is briefly heated to more than 50 °C so that the active oxygen becomes effective.

<sup>2)</sup> The various stages in the wash programme have different sounds because the dishes are washed more intensely for short periods during certain stages of the wash programme to improve cleaning.


<sup>3)</sup> The consumption figures were recorded under standard conditions. They are dependent on the loading of the dish racks. Variations are therefore possible in practice.

## Start the wash programme


-  **1.** Check that the dishes and cutlery are loaded into the dishwasher in such a manner that the spray arms are free to rotate.
- 2.** Open the tap fully.
- 3.** Shut the door.
- 4.** Press the ON/OFF button. The ON/OFF button indicator illuminates.
- 5.** Press the programme button for the desired programme (see "Programme Table"). The programme indicator illuminates. The selected programme begins after around 6 seconds. During the wash programme the current programme step is indicated on the programme progress display.

 If END or DRYING on the programme progress display flash after the start of the programme, please read the "What to do, if..." section.


## Changing/Interrupting/Cancelling the Wash Programme

 Only change or interrupt a wash programme in progress if it is absolutely necessary to do so. When the appliance is closed again, the air that has entered is heated and expands significantly. As result water may penetrate into the base of the appliance and trigger the leak prevention system.

### Changing the wash programme

 If you want to change the wash programme within 6 seconds of making a programme selection, briefly press the button for the new wash programme.

If you want to change the wash programme at a later point in time, use the following procedure:

-  **1.** Press the button for the new wash programme and hold it pressed. The indicators for both programmes now flash.
- 2.** After a few seconds only the indicator for the new programme flashes. Release the programme button, the new programme is now running.

## Interrupting the wash programme by opening the door of the dishwasher



Hot steam may escape from the appliance when opening the door. There is a risk of scolding! Open the door carefully.



1. Open the door of the dishwasher. The wash programme stops.
2. The indicator for the programme that is currently running extinguishes.
3. Close the door. The wash programme continues.

## Cancelling the wash programme



1. Press the button for the current wash programme and hold it pressed. The programme indicator for the current wash programme flashes for a few seconds and then extinguishes.
2. Release the programme button, the wash programme is cancelled.




A selected programme is only interrupted by switching off the dishwasher, it is not cancelled. The wash programme is continued when the dishwasher is switched on again.

## Load Sensing – Sensor Logic

If a wash programme is started even though there are only a few dishes in the upper and/or lower rack, an intelligent electronic system adjusts the amount of water and the duration of the wash programme to the number of dishes. By this means it is possible to wash only a few dishes quickly and economically. At half load (6 place settings), up to 2 litres of water and 0.2 kWh of electricity are saved.

## Switching Off the Dishwasher

Only switch off the dishwasher when END is illuminated on the programme progress display.

 **1.** Press the ON/OFF button. The ON/OFF button indicator extinguishes.



Hot steam may escape from the appliance when opening the door immediately after the end of the programme. Therefore:

**2.** Open the door carefully.

## Emptying the Dishwasher



- Hot dishes are sensitive to knocks. The dishes should therefore be allowed to cool down before removing them from the appliance.
- Leave the dishes in the dishwasher for approx. 15 minutes after the end of the programme so that they dry better and can cool down.
- First empty the lower rack, and then the upper rack. By using this procedure you will avoid any water that may be remaining in the upper rack, dripping onto the dishes in the lower rack and leaving water marks.

## Care and Cleaning



Do not under any circumstances use furniture care products or aggressive cleaners.

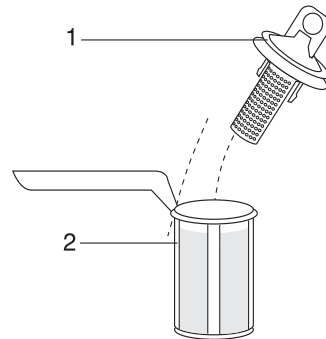
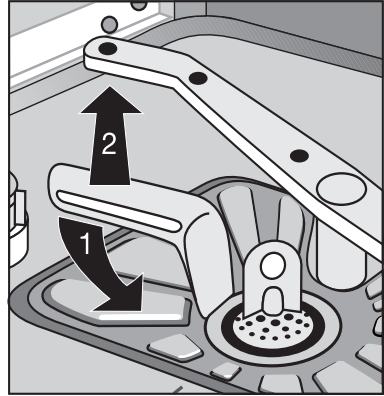
- If necessary, clean the controls only with a soft cloth and pure warm water.
- The spray arms do not need cleaning.
- Occasionally check the internal containers, door seal, and water inlet for soiling, clean if necessary.



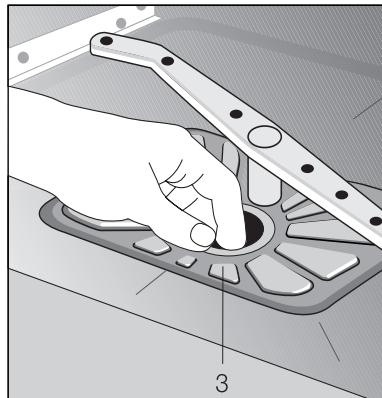
## Cleaning the Filter

**i** The filters in the base of the washing compartment are to a large extent self-cleaning. Nevertheless the filters should be checked and cleaned from time to time. Dirty filters will degrade the washing result.

- 1.** Open the door, remove the lower rack.
- 2.** The dishwasher filter system comprises a coarse/fine filter, microfilter and a flat filter. Unlock the filter system using the handle on the microfilter, and remove.
- 3.** Turn the handle about  $\frac{1}{4}$  a turn anti-clockwise and remove.
- 4.** Take hold of the coarse/fine filter (1) by the handle with the hole and remove from the microfilter (2)
- 5.** Clean all filters thoroughly under running water.
- 6.** Remove the flat filter (3) from the base of the washing compartment and clean both faces thoroughly



- 7.** Put the flat filter back in the base of the washing compartment
- 8.** Place the coarse/fine filter in the microfilter and press together.
- 9.** Put the filter combination in place and lock by turning the handle clockwise to the stop. During this process ensure that the flat filter does not protrude above the base of the washing compartment.



**!** Under no circumstances may the dishwasher be used without filters.

## What to do, when ...

Try to rectify minor faults on the dishwasher with the aid of the instructions given here. If you call in customer service to resolve one of the malfunctions listed here, or rectify an error made in the operation of the appliance, the customer service engineer's visit is not free of charge, even during the period of guarantee.

### ...Error messages are displayed.

- If the **END** or **DRYING** indicator on the programme progress display is flashing, you can probably rectify the fault yourself. After rectifying an **END** or **DRYING** fault, press the button for the wash programme that has been started. The wash programme continues. If the fault is displayed again, contact customer service.
- If indicators for other programme steps on the programme progress display are flashing, please contact customer service and state the fault indicated.

Malfunction	Possible Cause	Remedy
<b>END</b> on the programme progress display is flashing: no water is running into the dishwasher.	Tap is blocked or furred with lime-scale.	Clean tap.
	The filter (where present) in the threaded hose fitting at the water inlet valve is blocked.	Clean the filter in the threaded hose fitting.
	The water inlet hose is not correctly laid.	Check hose installation.
<b>DRYING</b> on the programme progress display is flashing.	The siphon is blocked.	Clean siphon.
	The water drain hose is not correctly laid.	Check hose installation.
<b>END</b> and <b>DRYING</b> on the programme progress display are flashing simultaneously.	The leak prevention system has been triggered.	Close the tap and contact customer service.

## ...problems occur during use of the dishwasher.

Malfunction	Possible Cause	Remedy
The programme does not start.	The door of the dishwasher is not closed properly.	Shut the door.
	Mains plug is not plugged in.	Insert mains plug.
	House fuse is defective.	Replace fuse.
	In the case of dishwasher models with start delay timer: A start delay is selected.	Where dishes are to be washed immediately, for appliances - with multidisplay, set the delay start to 0. - without multidisplay, cancel the delay start timer.
Rust spots are visible in the washing compartment.	The washing compartment is made from rust-free stainless steel. Rust spots in the washing compartment are due to rust particles from external sources (rust particles from water pipes, pans, cutlery, etc.). Remove such spots with one of the stainless steel cleaners that are generally available on the market.	Only wash cutlery and dishes that are suitable for dishwasher use.
		Close the lid of the special salt container securely.
There is a whistling noise during washing.	The whistling is not a cause for concern.	Use a different brand of detergent.

## ...the wash results are not satisfactory.

### The dishes are still dirty.

- The wrong wash programme was selected.
- The dishes were loaded in such a way that the wash water did not reach all items. The racks for the dishes must not be overloaded.
- The filter in the base of the washing compartment is dirty or incorrectly positioned.
- Detergent was not used or too little was used.
- In the case of scale deposits on the dishes: The special salt container is empty or the water softener is incorrectly adjusted.
- The drain hose is incorrectly laid.

**The dishes are wet and dull.**

- Rinse aid was not used.
- The rinse aid container is empty.

**There are streaks, milky spots or a bluish coating on glasses and dishes.**

- Lower rinse aid dosing.

**There are dried water drops on the glasses and dishes.**

- Increase rinse aid dosing.
- The detergent may be the cause. Contact the detergent manufacturer's customer advisor.

## Technical Data

Capacity:	12 place settings including serving dishes
Permitted Water Pressure:	1-10 bar (=10-100 N/cm <sup>2</sup> = 0.1-1.0 MPa)
Electrical Connection:	Information on the electrical connection is given on the rating plate on the inner edge of the dishwasher door on the right.
<b>Dishwasher: Free-Standing Appliances</b>	
Dimensions:	850 x 600 x 600 (H x W x D in mm)
Max. Weight:	54 Kg
<b>Dishwashers that Can Be Integrated, Built-In Dishwashers</b>	
Dimensions:	820 – 880 x 596 x 570 (H x W x D in mm)
Max. Weight:	50 Kg
<b>Dishwashers that Can Be Fully Integrated</b>	
Dimensions:	820 – 880 x 596 x 546 – 550 (H x W x D in mm)
Max. Weight:	50 Kg

**CE** This appliance conforms with the following EU Directives:

- 73/23/EEG dated 19. 02. 1973 – Low Voltage Directive
- 89/336/EEG dated 03. 05. 1989  
(including Directive Amendment 92/31/EEG) – EMC Directive

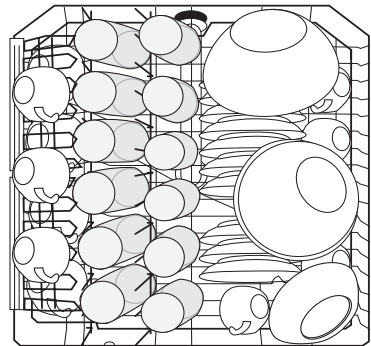
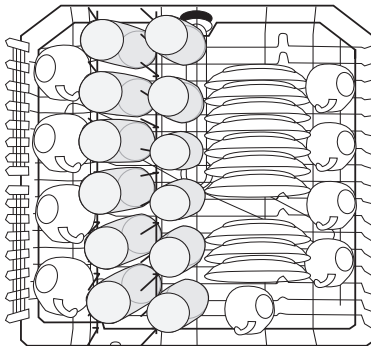
# Notes for Test Institutes

**Testing in accordance with EN 60704** must be carried out with the appliance fully loaded and using the test programme (see Programme Table).

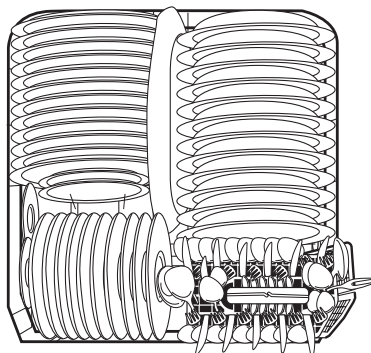
**Tests in accordance with EN 50242** must be carried out when the salt dispenser and rinse aid container have been filled with salt and rinse aid respectively and using the test programme (see Programme Table).

	Full Load: 12 place settings incl. serving dishes	Half Load: 6 place settings incl. serving, leaving alternate positions free
Detergent Dosing:	5g + 25g (Type B)	20g (Type B)
Rinse Aid Setting:	4 (Type III)	4 (Type III)

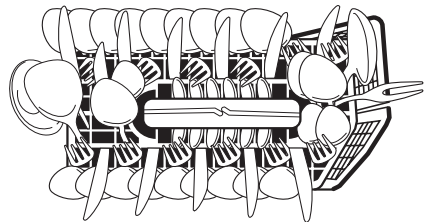
## Sample loading arrangements: Upper basket



## Lower basket with cutlery basket



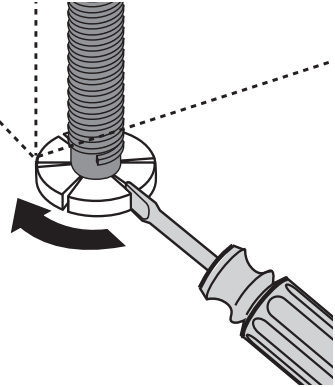
## Cutlery basket



# INSTALLATION AND CONNECTION INSTRUCTIONS

## Installing the Dishwasher

- The dishwasher must be installed on a firm floor and adjusted to ensure that it is stable and level.
- To compensate for unevenness in the floor and to match the height of the appliance to that of surrounding units extend the threaded feet by unscrewing:
  - use a screwdriver.



- For built-in, integrated and fully integrated dishwashers, the rear feet should be adjusted from the front of the appliance using a screwdriver.
- The drain hose, inlet hose and mains cable must not be kinked or crushed when the dishwasher is in position.
- The dishwasher must also be screwed on tightly to the work surface or to the adjoining units. This is essential to ensure the dishwasher does not tip.

- Depending on type, the dishwasher is to be installed as follows:

## Dishwashers That Can Be Integrated

(see installation template supplied)



The door of the appliance can be fitted with a wooden furniture door with the following dimensions:

Width 587mm	591 – 594 mm	
Thickness:	16 – 24 mm	
Height: (variable)	dependent on	<ul style="list-style-type: none"> <li>– Recess height</li> <li>– Plinth height</li> <li>– The adjustment so that the unit matches the height of the adjoining units</li> </ul> <p>The exact height of the adjoining units must be measured at the place of installation.</p>
Weight:	max. 8 kg	



If the furniture door is longer than 600 mm, the door of the appliance cannot be opened completely (the facing panel bumps against the plinth).

If this is the case, the plinth must be cut out (see installation template) or the brace adapter for the extra long door BLT 60 must be used. You can obtain this with the E No. 911 239 008.

## Built-In Dishwasher

(see enclosed installation instructions)

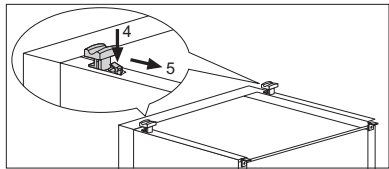
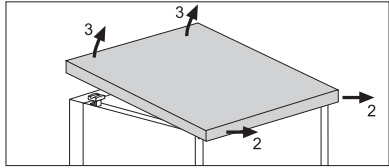
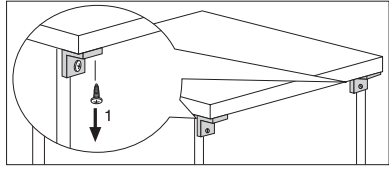
## Free-Standing Appliances



- can be set up as stand-alone without additional installation.

If the dishwasher is set up next to a cooker, a heat-insulating, non-flammable plate must be mounted between the dishwasher and the cooker, flush to the top edge of the work surface (depth 57.5 cm). The plate should have aluminium foil on the side facing the cooker.

- If the dishwasher is installed underneath a kitchen work surface, the original work surface of the dishwasher is to be removed as follows:
  - Unscrew the screws (1) from the elbows on the back side.
  - Slide the work surface approx. 1cm to the rear (2), lift at the front (3) and remove.
  - Press the work surface retaining brackets at the position shown in the diagram (4) and remove the bracket at an angle to the rear (5).

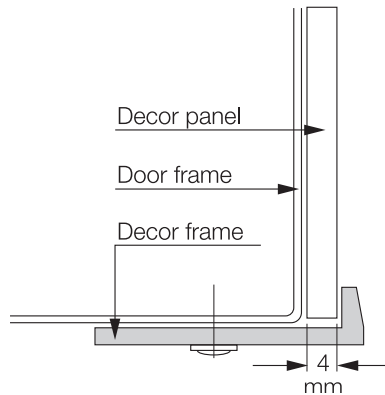


If the dishwasher is later used as a free-standing appliance, the original work surface must be re-mounted.



The plinth on free-standing appliances is not adjustable.

- Free-standing appliances can be fitted with a décor panel to match the facings of other kitchen equipment. The décor panels must be obtained from the kitchen manufacturer. A décor frame is necessary for installation, and can be obtained as an accessory from the dealer if not included in the scope of delivery.
- Décor panel dimensions:
  - Height 590 mm
  - Width 581 mm
  - Clamp thickness: max. 4 mm
- To ensure that thin décor panels do not flex or distort, attach them to the door of the appliance using double sided adhesive tape.





# Connecting the Dishwasher

## Water Connection

The dishwasher is fitted with safety devices that prevent the wash water returning into the drinking water system and comply with the applicable plumbing regulations.

- The dishwasher can be connected to cold and hot water supplies up to max. 60 °C.
- The dishwasher **must not** be connected to open hot water appliances or instantaneous water heaters.

## Permitted water pressure

Lowest permitted water pressure: 1 bar (=10 N/cm <sup>2</sup> =100 kPa)	Consult your installer if the water pressure is less than 1 bar.
Highest permitted water pressure: 10 bar (=100 N/cm <sup>2</sup> =1 MPa)	In the case of a water pressure greater than 10 bar, a pressure reduction valve must be used (available from your dealer).

## Connect the inlet hose



The water inlet hose must not be kinked, crushed or entangled when it is being connected up.



Connect the threaded hose fitting (ISO 228-1:2000) on the water inlet hose to a tap with an external thread (3/4 inch). Tighten the threaded hose fitting **hand tight only**.



- In order that access to the tap in the kitchen is not limited by the use of the dishwasher, we recommend the installation of an additional tap, or fitting a two way adapter to the existing tap.
- If you need a longer water inlet hose than that supplied, VDE approved complete hose sets are to be used. These are available from your local Service Force Centre.

## Water drain

### Drain hose

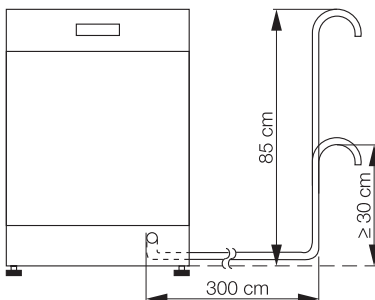


The drain hose must not be kinked, crushed or entangled.

- Connecting the drain hose:
  - Maximum permitted height: 1 metre.
  - Minimum required height 30 cm above the lower edge of the machine.

### Extension hoses

- Extension hoses are available from your dealer or customer service. The internal diameter of the extension hoses must be 19 mm to ensure that the function of the appliance is not impeded.
- Extension hoses may be laid a maximum of 3 metres horizontally; the maximum permitted height for the connection for the drain hose is then 85 cm.



### Sink outlet connection

- The outlet of the drain hose ( $\varnothing$  19 mm) fits all commonly available sink outlet spigot types. The outer diameter of the spigot connection must be at least 15 mm.
- The drain hose must be fixed to the sink outlet connection using the hose clamp supplied.

### If the dishwasher is fitted at a high position

If the dishwasher is installed at a high level, and the drain hose connection is less than 30 cm from the bottom of the appliance, adapter kit ET 111099520 must be fitted. This is available from Customer Service.

### Water drain into wash basins (only possible with free-standing appliances)

In the case that you wish to hang the drain hose in a wash basin, use a detachable hose elbow. You can obtain this from AEG customer service under spare part number ET 646 069 190.



1. Fit the elbow to the drain hose.
2. Secure the drain hose against sliding off the edge of the wash basin. Pass a piece of cord through the hose elbow and fix it to the wall or the tap.

## Leak Prevention System

For protection from damage due to water leaks, the dishwasher is equipped with a leak prevention system, the AQUA CONTROL SYSTEM. In the event of a fault, the safety valve immediately interrupts the supply of water to the appliance and the drain pump switches on. By this means water can neither escape nor overflow. The remaining water in the appliance is automatically pumped out.



The AQUA CONTROL SYSTEM also works when the appliance is switched off – the appliance must however **not** be disconnected from the mains.

## Electrical connection



In compliance with electric company technical requirements for mains connections, hard-wired connections to the mains may only be made by approved electricians.

When connecting the appliance, observe the German VDE regulations and, if applicable, any additional conditions required by your local electricity supplier. Following installation, live parts and live insulated wiring must not be accessible using a finger test in accordance with EN 60335/DIN VDE 0700.

Information on the electrical connection can be found on the rating plate on the right side of the inner edge of the dishwasher door. If the appliance has a change-over switch, the additional instructions on the change-over diagram in the mains connector box must be observed.

Prior to connecting ensure that the mains voltage and current rating at the site of installation match the nominal voltage and current rating given on the rating plate. The required fuse protection is also to be found on the rating plate.

To isolate the dishwasher from the mains, remove the mains plug.

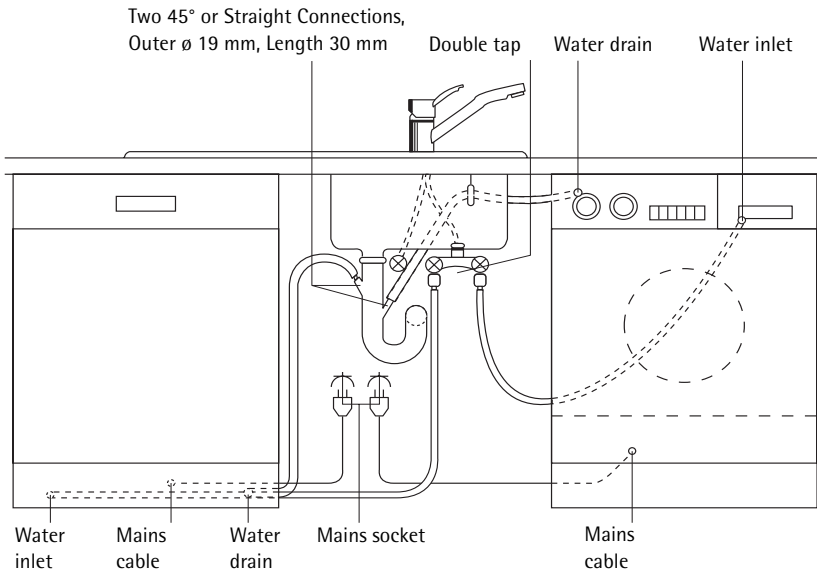
**Important:** The plug must still be accessible after the appliance has been installed.

If the appliance is hard-wired to the mains supply, then it must be safely isolated from the mains within the electrical installation with switches intended to ensure **all-pole(N,L1)** disconnection, shall be directly connected to the supply terminals and shall have a contact separation (fuses, cut outs, current trips or similar) of at least 3mm in each pole.

## Connections

The water inlet and drain hoses, as well as the mains cable must be connected beside the dishwasher as there is insufficient space behind the appliance.

The plumbing and electrical installation example given below can only be regarded as a recommendation; the actual situation where the dishwasher is to be installed will define the exact installation (available connections, local electricity and water board regulations for connecting up appliances, etc.).



# SERVICE DEPARTMENTS

## U.A.E. Abu Dhabi

Universal Trading Company  
P.O. Box 43 99  
Tel.: 335331

## Jordan

Jordan Household  
Supply Co. Ltd.  
P.O. Box 3/68  
Amman/Tel.: 69 70 50

## Malta

ITC  
International Trading Com-  
pany  
White House Building  
Mountbatte Street  
Blata L-Bajda/Tel.: 220644

## Egypt

Middle East Commercial  
Center  
P.O. Box 19  
Kairo-Heliopolis  
Tel.: 29917/31634

## Kanada

EURO-LINE Appliances  
2150 Winston PARK Drive 20  
Oakville, Ontario L6H 5V1  
Tel.: 905 829 3980  
Fax: 905 829 3985

## Mauritius

Happy World Centre Ltd.  
P.O. 7 54  
1 Chausee Street  
Port Louis  
Tel.: 25355

## Australia

ANDI-Co Pty. Ltd  
9 Kingston Town Close  
Oakleigh VIC 3166  
Tel.: (03) 9569 1235  
Fax: (03) 9569 1450

## Korea (South)

Core Incorp.  
3/F Chewoo Bldg.  
200 Nonhyun-Dong  
Kangnam-Ku  
Seoul  
Telefon 82 2 549 89 61

## Namibia

AEG NAMIBIA (PTY) LIM-  
ITED-Jeppe Street  
Northern Industrial Area  
Windhoek  
Tel.: (061) 21-6082/4  
Fax: (061) 217838

## Bahrain/Arabian Gulf

A.A. Zayani & Sons  
P.O. Box 9 32  
Bahrain  
Tel.: 261060

## Croatia

Electrolux D.O.O.  
Suplova 7  
10000 Zagreb  
Tel.: 1 61 19512  
Fax: 1 61 19513

## New Zealand

Euro-Life New Zealand Ltd.  
Privat Bag  
58 Symonds Street  
Auckland  
Tel.: (09) 525 2222

## Bulgaria

Electrolux Bulgaria E.O.O.D.  
91 Levski Blvd.  
1000 Sofia  
Tel.: 2 806676  
Fax. 2 980 5276

## Kuwait/Arabian Gulf

Ali Al-Ghanim Est.  
P.O. Box 10 83  
Tel.: 5322463  
Fax: 5242114

## Nouvelle Calédonie

Socometra N.C.  
B.P. 483  
Nouman  
Tel.: 275444

**Cyprus**

Hadjikyrlakos & Sons Ltd.  
Prodromou 121  
P.O. Box 21587  
Nicosia 1511  
Service Telephones:  
Nicosia 02 481226  
Limassol 05 562182  
Larnaca 04 633929  
Paphos 06 932 699

**Estonia**

Electrolux Estonia Ltd.  
Mustamäe tee 24  
EE0006 Tallinn  
Tel.: (372) 6 650 090  
Fax: (372) 6 650 092

**Hongkong**

Wo Kee Services Ltd.  
585-609 Castle Peak Road  
Kwai Chung N.T.  
Hongkong  
Tel.: 2494 4000

**Israel**

Electricity & Electronic  
Services-Evis LTD.  
19 Hataasia st.  
Raanana, Industrial area 43654  
Tel: 972-9-7448118  
Fax: 972-9-7603618  
e-mail: [evlis@evlis.co.il](mailto:evlis@evlis.co.il)

**Japan**

Electrolux Japan Ltd.  
Yasuda Warehouse 4F 3-3-12  
Heiwajima Ota-Ku  
Tokyo  
Tel.: 81 3 3544 3363  
Fax: 81 3 3763 6143

**Lebanon**

Adib & Assaferi  
P.O. Box 539  
Tripoli

**Latavia**

Electrolux Latavia Ltd.  
Terlaton Street 42/44  
1011 Riga  
Tel.: 371 2 297821  
Fax: 371 2 821286

**Lthuania**

Electrolux Lthuania  
Verkui 29  
2600 Vilnus  
Tel.: 372 272 3326  
Fax: 372 272 3366

**Malaysia**

Arzbergh Engineering  
No. 49A/B, Jalan Petaling  
Utama 7  
4600 Petaling Jaya  
Tel.: 3 795 1084  
Fax: 3 795 1082

**Singapore**

Arzbergh Engineering  
19 Tanglin Road 06-07  
Singapore 247909  
Tel.: 65 7356572  
Fax: 7351124

**Oman**

Moshin Haider Darwish  
P.O. Box 1 35  
Muscat  
Tel.: 703743

**Poland**

Electrolux Poland Sp. zo.o.  
ul. Domaniewska 41  
02-034 Warszawa  
tel.: 022 874 33 33  
fax: 022 874 33 00

**Russia**

Electrolux Russia Ltd.  
16 Olympiysky prospekt  
129090 Moscow  
Tel.: (095) 937 7837  
Fax: (095) 926 5513

**Saudi Arabia**

Alia Trading Corporation  
P.O. Box 4101  
King Abdul Aziz Street  
Riyadh  
Tel.: 4645977  
Al Nahas Est.  
Musaidia Market I  
P.O. Box 1 15 29  
Jeddah  
Tel.: 6606852

**Slovenia**

Electrolux Slovenia D.O.O.  
Traska Ul. 132  
1000 Ljubljana  
Tel.: 61 1234 137  
Fax: 61 1234 238

**Thailand**

OLYMPIA Thai Ltd.  
44 Ratchadapisek Road  
10320 Bangkok  
Tel.: 2 513 6111  
Fax: 2 513 2574

**Hungary**

Electrolux Lehel KFT  
(AEG Div)  
Erzsebet' Kiralyne Utja 87  
1142 Budapest  
Tel.: 00361/251 84 44

**Slovakia Rep.**

Electrolux Slovakia S.R.O.  
Seberiniho 1  
821 03 Bratislava  
Tel.: 7 4333 9745  
Fax: 7 4333 6976

**USA**

ANDI Co. Appl. Inc. East  
65 Campus Plaza  
Edison, New Jersey 0837  
USA/Tel.: (201) 2258839

**South Africa**

AEG (Pty) Ltd.  
55, 12th Road  
P.O. Box 1 02 64  
Kew/Johannesburg 2000  
Tel.: 8069111

**Syria**

Masri & Shami  
P.O. Box 24 96  
Damascus  
Tel.: 214080

## GUARANTEE CONDITIONS

### **Weitere Kundendienststellen im Ausland**

In diesen Ländern gelten die Garantiebedingungen der örtlichen Partner. Diese können dort eingesehen werden.

### **Further after-sales service agencies overseas**

In these countries our AEG agents' own guarantee conditions are applicable. Please obtain further details direct.

### **Autres agences étrangères assurant le service après-vente**

Dans ces pays, les conditions de garantie des concessionnaires de la région sont valables. Vous pouvez les consulter sur place.

### **Otros puntos de Postventa en el extranjero**

En estos países rigen las condiciones de nuestros representantes locales, las cuales pueden ser consultadas allí mismo.

### **Ulteriori uffici del servizio tecnico assistenza clienti all'estero**

In questi paesi sono valide le condizioni di garanzia dei partner locali. Queste condizioni possono essere esaminate sul luogo.

### **Serviços de assistência técnica no estrangeiro**

Nestes países são válidas as condições de garantia dos concessionários locais, podendo aí ser consultadas.







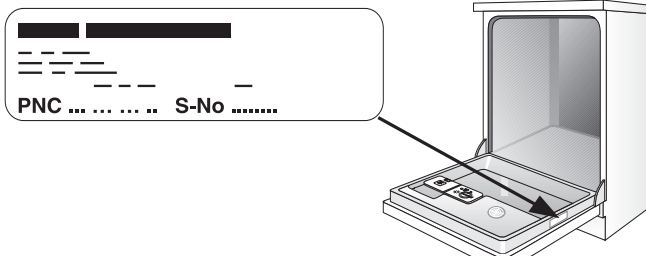
## SERVICE

In the section "What to do, if..." the most important sources of faults that you can rectify yourself are summarised.

If, nevertheless, you call in customer service to resolve a problem listed in these instructions, or because of an error made in operating the appliance, the customer service engineer's visit is not free of charge, even during the warranty period.

If you can not find any information on a specific malfunction in these operating instructions, please contact customer service.

Please provide customer service the PNC number and the S No. (serial number), you can find these on the rating plate. The plate is on the inner edge of the door on the right.



So that you always have these numbers at hand, we recommend you to make a note of them here:

PNC : .....

S-No. : .....

AEG Hausgeräte GmbH  
Postfach 1036  
D-90327 Nürnberg

<http://www.aeg.hausgeraete.de>

© Copyright by AEG

822 945 528 - 00 - 0102

Subject to change without notice