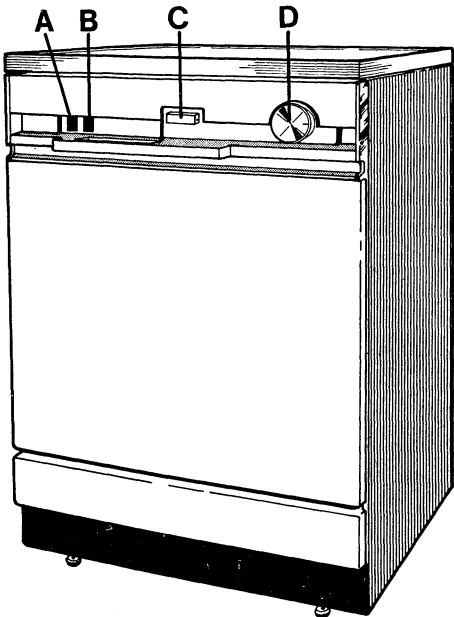




Instructions for the use and care of your S610 S611 Dishwasher

TECHNICAL DATA

Width	23.6"
Overall Depth	23.6"
Height	33.4"
Weight	101.4 lbs
Capacity	10 Place Settings
Supply Voltage	220/240 V ~ - 50 Hz
Motor Rating During Washing	350 W
Heating Element Power	2570 W
Maximum Power Absorbed	2920 W
Water Load	1.87 Galls.
Minimum Water Pressure	7 p.s.i. - 49 kN/m ²
Maximum Water Pressure	110 p.s.i. - 758 kN/m ²



- A. Rinse-aid Dispenser Inspection Window
- B. Indicator light.
- C. Door Handle
- D. Programme Selector

INSTALLATION

Unpacking

Remove outer carton, reinforcing angles and polythene wrapping. Open door by turning handle C (Fig. 1) anti-clockwise and remove the interior packing.

Location and levelling

The dishwasher can be installed with its sides or back in contact with furniture or walls.

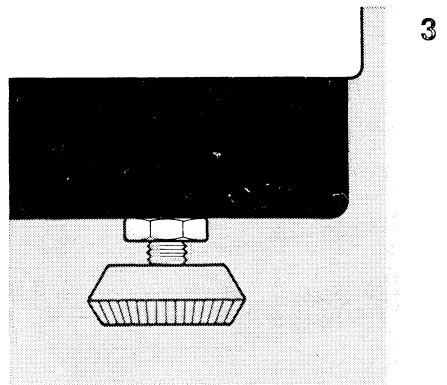
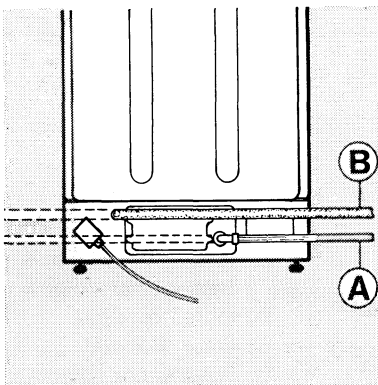
Drain and fill hoses can be positioned to suit the installation, as shown in Fig. 2. Special care should be taken in levelling the machine by adjusting the four feet till it is perfectly level (maximum allowed error: 2 degrees), as this ensures trouble free operation (Fig. 3).

Water inlet connection

The inlet hose (C - Fig. 4) permits connection to a 3/4" gas thread spout (A - Fig. 4).

When making the installation, the underlisted instruction should be followed:

- prior to screwing the end of the inlet hose on to the water tap, be sure to insert the special strainer (B - Fig. 4).
- if the water connection is made on to new pipes, or on to pipes which have not been used for a long time, it is advisable to run off a certain amount of water before connecting the machine. This will avoid foreign matter blocking the filter placed at the end of the water inlet hose;
- make sure the water supply pressure is within the allowed tolerance as shown on the rating plate.



Important

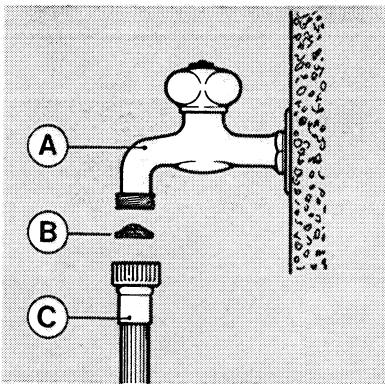
The dishwasher is designed to operate with a cold water supply only.

Water outlet connection

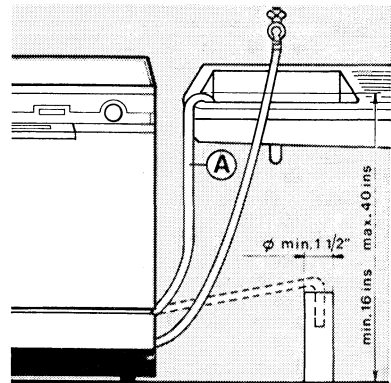
The drain pipe from this machine must connect into the main drain from the premises, but **not** into the rainwater drain.

Information as to the type of drain servicing your premises can be obtained from a builder or the Local Authority.

The curved end of the outlet hose should be firmly hooked over the edge of a sink or connected to a suitable drain pipe in the wall or under the sink; however, such a drain pipe should have a built-in air break in order to avoid water syphoning from the machine during draining. The top of the drain hose (curved end) should not be lower than 40 cms (16 ins) or higher than 100 cms (40 ins) from floor level. The water should be able to drain freely and the end of the outlet hose must not be under water. It is, therefore, advisable that the drain pipe, if used, has an internal diameter of at least 4 cms (1.5 ins). Also, ensure that the drain hose is not chocked or placed in such a way as to obstruct the normal water flow. If the drain hose is to be hooked over the sink, ensure that the sink is empty and that the sink plug is not blocking the plug hole. If an extension is required, its inner diameter must be the same as that of the original hose of the washer and its length must not exceed 2 metres (6 ft).



4



5

ELECTRICAL CONNECTION

Warning - This appliance must be earthed

Connection to the electrical supply should be made by a 3 pin 13 amp or 3 pin 15 amp plug. If a BS:1363 3 pin 13 amp fused plug and socket is used, the plug should be fitted with a 13 amp fuse. If a 15 amp plug and socket is used this should be protected by a 15 amp fuse, either in the plug or at the distribution board fuse box.

The manufacturer declines to accept any liability should this safety measure not be observed.

IMPORTANT


The wires in the mains lead are coloured in accordance with the following code:

GREEN & YELLOW - EARTH

BLUE - NEUTRAL

BROWN - LIVE

As the colours of the wires in the mains lead of this appliance may not correspond with the coloured markings identifying the terminals in your plug, connect as follows:

The wire which is coloured green and yellow must be connected to the terminal in the plug which is marked with the letter « E » or by the earth symbol  or coloured green or green and yellow.

The wire which is coloured brown must be connected to the terminal which is marked with the letter « L » or coloured red. The wire which is coloured blue must be connected to the terminal which is marked with the letter « N » or coloured black.

This appliance complies with the E.E.C. directive N.o 76/889 of 4.11.76 relative to radio interference suppression.

OPERATING INSTRUCTIONS

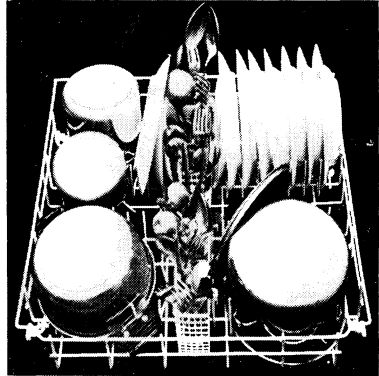
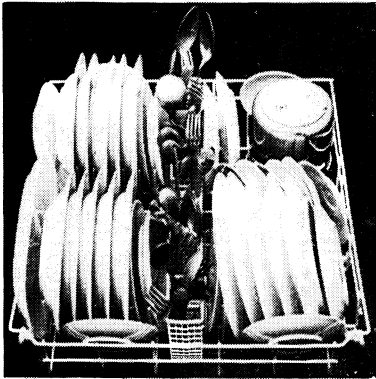
Preliminary check

Carry out the following check before using the machine:

- Is the plug in the socket? Is the power on?
- Is the water inlet hose connected to the tap and the tap turned on?
- Has the drain hose been placed on the edge of a sink or in a drain?

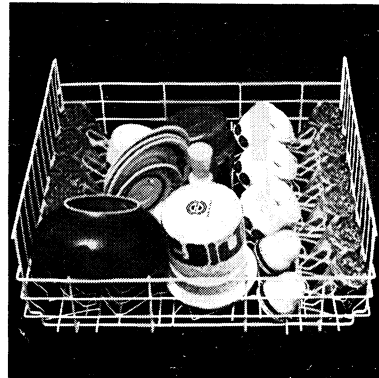
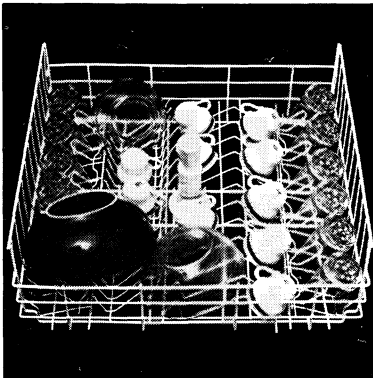
Loading

- Remove any food from the dishes (as for normal washing-up) in order to prevent the filter or pump from getting clogged.
- Open the door by turning handle C (Fig. 1) anti-clockwise, and pull out the basket to be loaded.



Using the Lower Basket

The lower basket is designed to take dishes, pots with the respective lids and cutlery which is to be placed into the special small baskets (Fig. 6-7). To obtain



cutlery into the special small baskets with the handles facing downwards. However, if the handles of your cutlery are very thin it is advisable to stack the cutlery with the handles facing upwards, so as to prevent them from sticking out from the bottom of the small baskets, thereby blocking the lower spray arm.

Using the Upper Basket

The upper basket is designed to take dessert plates, saucers, coffee- and tea-cups, glasses, salad-bowls and lightly soiled frying-pans which should be arranged as shown in Fig. 8-9. When loading the crockery be absolutely sure not to accidentally obstruct the water inlet funnel at the centre of the basket.

WARNING:

Plastic items which are not heat resistant, cutlery with wood or bone handles, silver or copper items should not be placed in the dishwasher.

The machine can also be used for washing decorated china and glass, however, as not all decorations will withstand the chemical action of detergent, we recommend that a single piece is washed a number of times, prior to washing more items of the particular type.

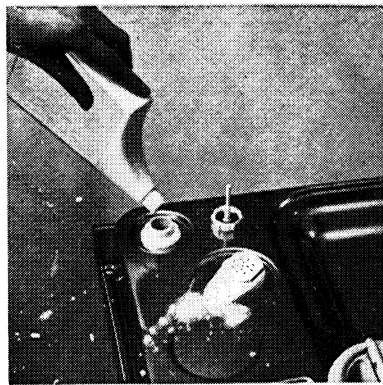
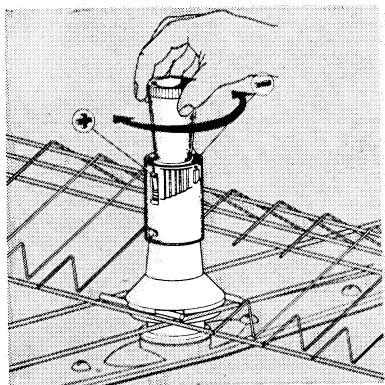
Jet strength control

The jet strength of the upper spraying arm can easily be adjusted to obtain the best washing results without risking that particularly light crockery is upset by the jets. To easily operate this control, pull out the upper basket and turn the water inlet funnel (Fig. 10) clockwise to increase the jet strength or anti-clockwise to decrease it, following the marks on the collar.

Rinse-aid filling

The rinse aid ensures quick drying at the end of the programme, and prevents the formation of lime deposits on the washed articles.

The rinse aid dispenser is located on the door interior, and operates automatically. To fill the dispenser (Fig. 11) unscrew the cap and pour the rinse aid in, ap-



proximately 1/4" from the top, replace the cap. The level can be inspected through the small window on the control panel (A - Fig. 1) and should be topped-up when it reaches minimum. The quantity of rinse aid dispensed must be adjusted according to the water in your particular area, more being required for hard water, and less for soft water.

If the rinse aid quantity is insufficient, the dishes will dry with water drop marks on them. This may also happen if the rinse aid level is below minimum. If the rinse aid quantity is excessive, the dishes will dry with white streaks on them. To get the best results we recommend the use of good product, such as the « SUN » rinse-aid.

The dispenser knob (Fig. 12) should be adjusted to give the best results.

Water softener

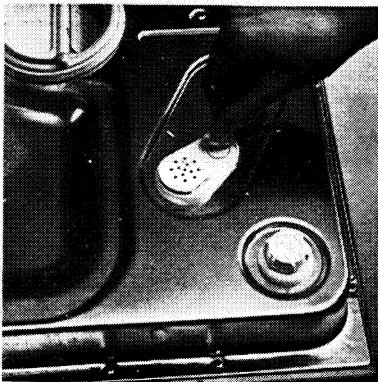
In order to give the best washing results even in very hard water areas, the dishwasher is fitted with a water softener, which operates automatically.

The water softening unit works in a completely autonomous way. It is only necessary to fill the container located on the bottom of the tub, after unscrewing the cap (Fig. 13), with approximately 1.2 Kg. (about 2.5 lbs.) of coarse cooking salt, (DO NOT USE free-running or table salt), using the funnel supplied with the machine, then top up with water (topping-up with water is required only on the first operation).

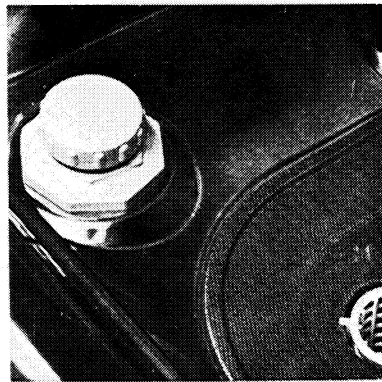
After this operation it is only necessary to refill the container with a suitable quantity of salt from time to time; to remind you to add salt, the dishwasher features a salt refill warning light (G - Fig. 1) which turns on about every 14 wash cycles, regardless of the amount of salt still left in the container. The light stays on also during the first half of the following wash cycle.

IMPORTANT:

This salt refilling operation should be carried out immediately prior to starting programme 1, 2, 3 or 4. Load the salt carefully into the container, making sure that none is spilt on the bottom of the tub.



12



13

Filling with detergent

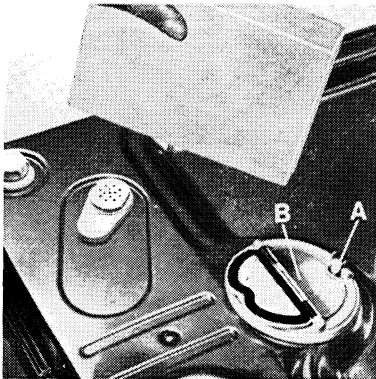
To get the best results we recommend the use of a good product, such as the « SUN » detergent powder.

Main wash: the main wash detergent must be put into the dispenser shown in Fig. 14 - B. If the dispenser lid is closed push catch « A » to open, fill the dispenser, then close the lid. The dispenser will then automatically open at the required time. The quantity of detergent to be used depends on brand, local water hardness, extent to which the crockery is soiled and the number of articles in the dishwasher.

As a general rule the quantity to be used for a dishwasher installed in a soft water area (or fitted with a water softener) is as follows:

- normally soiled crockery (25 ÷ 30 g. - 0,88 ÷ 1,06 oz.)
- very soiled crockery (30 ÷ 35 g. - 1,06 ÷ 1,23 oz.)

An insufficient quantity of detergent causes a poor wash. An excessive quantity can cause poor rinsing.



14

Programme selection

Selection of the washing programme depends on the type and assortment of the crockery to be washed (dishes and pots, dishes only, heavily soiled crockery etc).

Starting the machine

After arranging the crockery in the baskets, loading of the detergent in the respective compartments, checking the rinse aid level and closing the door, proceed as follows to start the machine:

- (a) lock the door by turning the handle (C - Fig. 1) clockwise;
- (b) depress the programme selector knob (D - Fig. 1) and turn it clockwise to the number corresponding to the washing cycle required.
- (c) pull out the programme selector knob.

At this point the indicator light comes on, the machine starts and carries out automatically all operations relevant to the selected programme.

Stopping the machine

At the end of wash cycles Nos. 1 and 2 the machine stops automatically and the pilot light goes out.

When cycle No. 3 « Rinse & Hold » is completed, instead, the pilot light stays on to remind the owner of the appliance that a wash cycle proper is yet to be carried out, naturally when desired.

Anyway, if you wish to turn off the pilot light simply push in the programme selector knob.

If you require to interrupt the programme and stop the machine at any time, simply depress the programme selector knob. To restart the machine, pull out the same knob and the wash cycle will be normally resumed from the point where it was interrupted.

The door should not be opened while the machine is in operation.

At any rate, a safety switch will stop the machine if the door is opened.

WASHING PROGRAMMES

energetic programme

This wash cycle is recommended for heavily soiled pots, pans and cutlery

(Put main wash detergent into the dispenser on the door).

1

The complete cycle includes:

- a) cold prewash;
- b) main wash up to 65°C;
- c) 1st lukewarm rinse;
- d) interval: at this point there is a short interval to permit reactivation of the resins in the water softener;
- e) 2nd lukewarm rinse;
- f) 3rd and last hot rinse up to 65°C with automatic rinse aid intake;
- g) drying.

normal programme

2

This wash cycle, which is shorter than the preceding programme, is recommended for washing normally soiled pots, pans and cutlery.

It differs from the previous one in that there is no cold prewash.

(Put main wash detergent into the dispenser on the door).

rinse and hold

3

This is a cold prewash which is recommended for partial loads when the main wash is to be carried out later in the day. It consists in a cold rinsing of the partial load to prevent larger scraps of food from drying up and sticking to the dishes.

(No detergent is required for this « Rinse & Hold » cycle)

CARE AND CLEANING

IMPORTANT: Make sure that the plug has been removed from the socket prior to undertaking any kind of maintenance.

Cleaning the filter assembly and the tub bottom

The filter assembly consists of a large fine-mesh filter and a small wide-mesh filter fitted inside the large one.

The small cylindrical filter (A fig. 16) should be inspected after each wash to remove any large food scraps; for this purpose it should first be removed from its seat by pressing inwards the two tabs (fig. 16), and then lifting it off.

WHEN REPLACING IT, MAKE SURE THAT THE TEETH FIT IN THE APPROPRIATE SEATS.

The large filter should be cleaned from time to time (every two months) on both sides with a sponge cloth or a small brush.

To remove the large fine-mesh filter, turn the bowl-filter (B fig. 17) anticlockwise lifting it off, and then take out the large filter (C fig. 17).

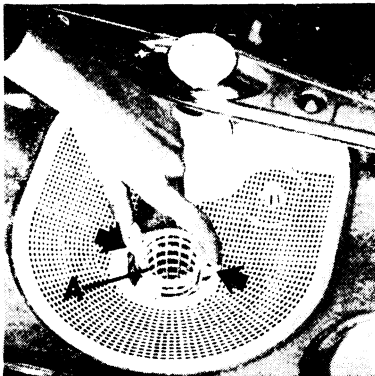
To replace it, you should reverse the above procedure, i.e.:

carefully fit the filter (C fig. 17) in its seat, making sure that the edge rests firmly on the tub bottom, and then screw down the bowl-filter (B fig. 17).

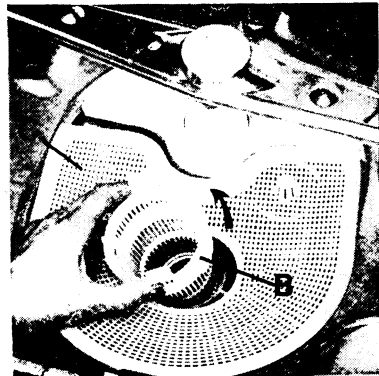
If you wish to clean the back portion of the filter assembly, you should proceed as follows:

- Remove filter C
- Lift off the bottom sprayarm (fig. 18)
- Unscrew the fixing ring nut
- Lift off the back portion of the filter from the sprayarm-carrying pipe.

To replace the various parts carry out the above procedure in reverse.



16



17

Spraying arms cleaning

The spraying arms should be kept perfectly clean to avoid a reduction in washing efficiency.

To remove the lower spraying arm, simply lift it off its seat (Fig. 17).

To clean the upper spraying arm, simply pull the upper basket out and the spraying arm is thus easily accessible.

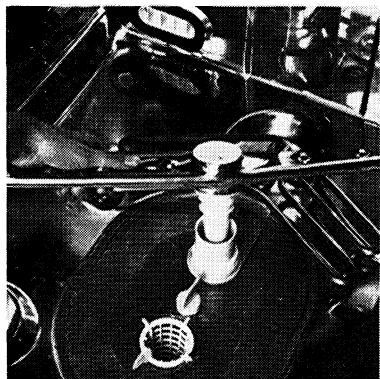
To remove it, all you have to do is to disengage conveyor A (Fig. 18) from its coupling and unscrew ring nut B (Fig. 18).

Cabinet Cleaning

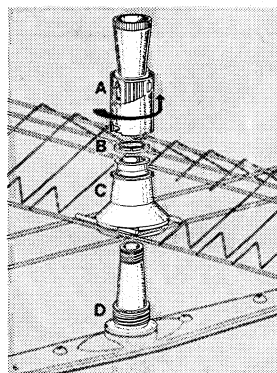
For the cabinet exterior, use a lukewarm light solution of mild soap, then rinse and dry carefully. Do not use scouring powders or other abrasive products.

Long Idle Periods

If the machine is to be out of use for some time, it is advisable to disconnect the water and electricity supply, fill up the rinse aid container, and leave the door slightly open to allow air to circulate freely in the machine.



17



18

ZANUSSI GUARANTEE CONDITIONS

This guarantee is in addition to your statutory and other legal rights which will not be excluded or in any way diminished by the return of this guarantee.

We, IAZ International (UK) Ltd, guarantee that if within twelve months of the date of the purchase, this ZANUSSI appliance or any part thereof is proved to be defective by reason only of faulty workmanship or materials we will at our option repair or replace the same **FREE OF ANY CHARGE** for labour, materials or carriage on condition that:

- The appliance has been correctly installed and used only on the electricity supply stated on rating plate.
- The appliance has been used for normal domestic purposes and in accordance with the manufacturer's operating and maintenance instructions.
- The appliance has not been serviced, maintained, repaired, taken apart or tampered with by any person not authorised by us.

- The appliance is still in the possession of the original purchaser.
- Any appliance or defective part replaced shall become our property.

This guarantee does not cover any damage caused during transportation or the replacement of any light bulbs or removable parts of glass or plastic.

Should you require service on your Zanussi appliance consult the enclosed list of service agents for your nearest Zanussi engineer. If the product is under guarantee then you will be required to produce proof of date of purchase to the engineer.

Please ensure that the enclosed pre-addressed card is stamped, completed in full and forwarded to IAZ International (UK) Ltd, to enable the guarantee to be recorded. Also complete the space below as your own record of the guarantee.

GUARANTEE RECORD

Appliance purchased from _____ on _____
Guarantee card no _____ Model no _____
Serial no _____ (These details may be taken from your Guarantee Record Card)
Your name _____
Address _____
