

## RANGE COMPOSITION

The range consists of 4 sinks with cupboard for undercounter dishwashers, 1200 and 1800 mm in length and with double bowl. Sink cupboard units are ideal for washing, cleaning and storage. These models are ideal to be placed in conjunction with the undercounter dishwasher.



132714

# 1200/1800 mm

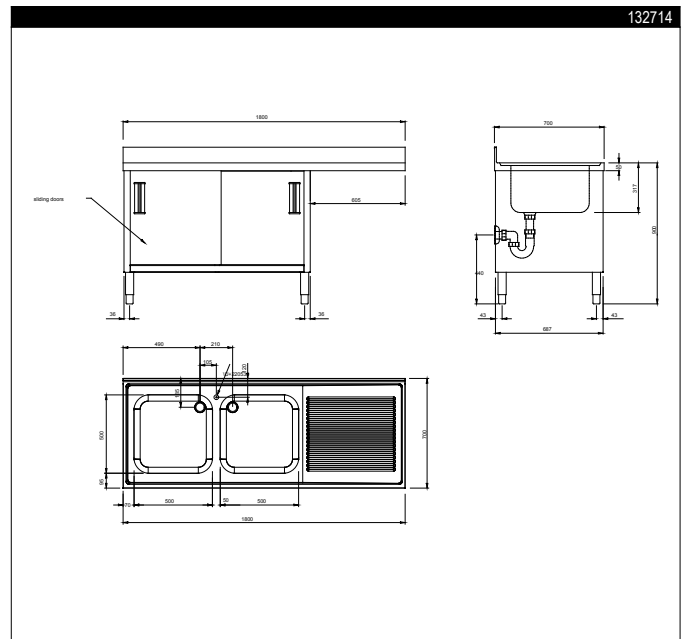
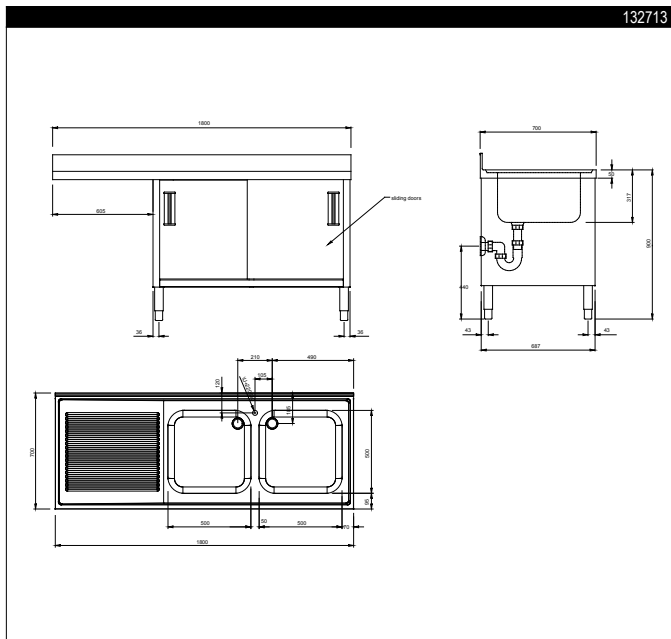
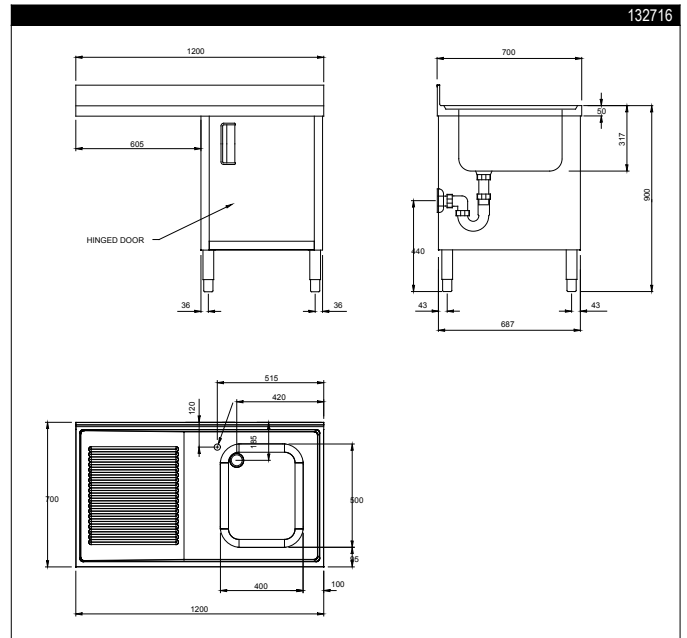
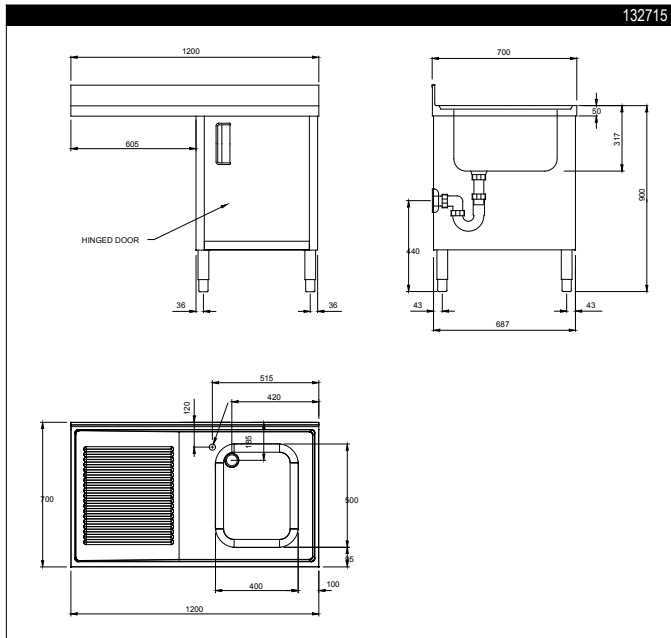
## SINKS WITH CUPBOARD FOR DISHWASHERS **ZANUSSI** PROFESSIONAL

### FUNCTIONAL AND CONSTRUCTION FEATURES

- ◆ Made entirely from stainless steel with welded construction for maximum strength.
- ◆ Inner welded frame in stainless steel to guarantee superior strength and stability.
- ◆ The 50 mm high worktop in 304 AISI stainless steel, 10/10 in thickness, incorporates a layer of 18 mm sound deadening material, has upturned edges to protect the kitchen worker.
- ◆ Base panel in 304 AISI stainless steel, 10/10 in thickness reinforced.
- ◆ Sink bowl in 304 AISI stainless steel, supplied as standard with an overflow pipe and a drain hole.
- ◆ Rear splashback with 8 mm rounded corner, 100 mm in height and 13 mm deep.
- ◆ 64 mm diameter feet, adjustable -10/+60 mm.

- ◆ Accessories available on request: tap unit, false bowl bottom, single or double syphons.
- ◆ All models comply with the more strict international standards as far as hygiene and cleanability are concerned.

TECHNICAL DATA				
CHARACTERISTICS	MODELS			
	MARMDX 132715	MARMSX 132716	MLA2ST 132713	MLA2DT 132714
External dimensions - mm				
width	1200	1200	1800	1800
depth	700	700	700	700
height	1000	1000	1000	1000
Worktop thickness - mm	50	50	50	50
Upstand dimensions - mm				
height	100	100	100	100
depth	13	13	13	13
radius	R=8	R=8	R=8	R=8
Bowls - n.	1	1	2	2
Bowl dimensions (wxdxh) - mm	400x500xH300	400x500xH300	500x500xH300	500x500xH300
N° and type of door	1, Hinged	1, Hinged	2, Sliding	2, Sliding
Net weight - kg.	55	55	60	60
Left hand drainer		●	●	
Right hand drainer	●			●



LEGEND	MARMDX 132715	MARMSX 132716	MLA2ST 132713	MLA2DT 132714
C - Water drain	2"	2"	2"	2"

OPTIONAL ACCESSORIES ACCESSORIES	MODELS			
	MARMDX 132715	MARMSX 132716	MLA2ST 132713	MLA2DT 132714
DOUBLE PLASTIC DRAIN SYPHON 2"			850022	850022
ELBOW OP.MIXER TAP+SPOUT-3/4" SINGLE HOLE	855322	855322	855322	855322
ELBOW OP.TAP+SPRAY ARM+SPOUT-3/4" HOLE	855324	855324	855324	855324
FALSE BOTTOM FOR L/H 500X500 MM BOWL			895210	895210
FALSE BOTTOM FOR R/H 500X500 MM BOWL			895200	895200
FOOT OP.MIXER TAP(HOT+COLD)+SPOUT-3/4"	855328	855328	855328	855328
MIXER TAP W/FOOT PEDAL FOR SINKS ON LEGS	855317	855317	855317	855317
MIXER TAP WITH SPOUT 3/4" SINGLE HOLE	855319	855319	855319	855319
MIXER TAP(INFRARED)+SPOUT 3/4" SING.HOLE	855325	855325	855325	855325
MIXER TAP(PREMIUM)+SPRAY ARM-3/4" HOLE	855326	855326	855326	855326
OVERFLOW FILTER FOR 500X500 MM BOWL			895136	895136
PRE-WASH SPRAY UNIT,SINGLE HOLE	855315	855315	855315	855315
SINGLE BRASS SYPHON 2"			895314	895314
SINGLE PLASTIC SYPHON 2"			895313	895313
WALL MIX.TAP+SPRAY+SPOUT+SH.LEVER+THERM	855307	855307	855307	855307
WALL MIXER TAP WITH SWIVEL SPOUT 3/4"	855310	855310	855310	855310



www.zanussiprofessional.com