

RANGE COMPOSITION

The range consists of 4 models: 3 with square basket and 1 compact model with square basket, offering the possibility to wash glasses and small plates with a capacity of 1.000 glasses per hour.



727034



727038

LB-035

GLASSWASHERS **ZANUSSI**
PROFESSIONAL

FUNCTIONAL AND CONSTRUCTION FEATURES

- ◆ 120 seconds fixed cycle.
- ◆ Washing temperature 55° to 65°C and rinse temperature 80° to 90°.
- ◆ Double-walled washing chamber and tank.
- ◆ Separate washing and rinsing circuits.
- ◆ Load bearing frame, front panels, tank and filter in 304 AISI stainless steel. Wash arms and jets in polypropylene.
- ◆ The upper rinsing arms are fixed whereas the lower arms rotate.
- ◆ The square basket models incorporate a rinse aid dispenser for connection to an external container (detergent dispenser included for code 727039, detergent dispenser and drain pump included for code 727040).
- ◆ Basket(s) for glasses, plus the insert rack for cutlery, electric cable and the hose for water connection supplied as standard.
- ◆ All models comply with the standards of the main international approval bodies and are **CE** marked.

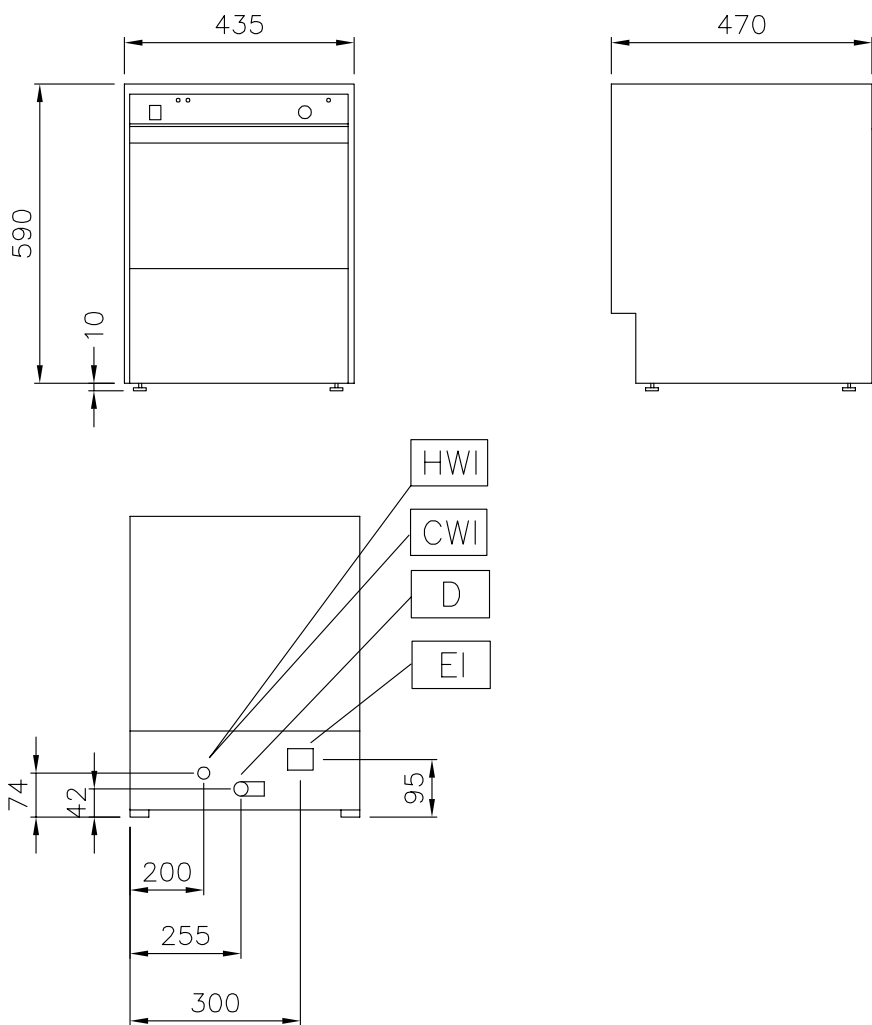
* Declared actual cycle duration times can extend when water supply temperature is lower than indicated

TECHNICAL DATA CHARACTERISTICS	MODELS			
	LB35CQ 727034	LB35Q 727038	LB35QD 727039	LB35QDD 727040
Water supply				
temperature - °C	10	10	10	10
hardness - °f	7-14	7-14	7-14	7-14
Drain pump			●	●
Detergent dispenser			●	●
N° of cycles	1	1	1	1
Duration cycles - sec.	120	120	120	120
Basket capacity/h	30	30	30	30
External dimensions - mm				
width	435	460	460	460
depth	470	467	467	467
height	600	670	670	670
Cell dimensions - mm				
height	200	220	220	220
Washing cycle				
temperature - °C	55-65	55-65	55-65	55-65
tank capacity - lt.	8	9.5	9.5	9.5
power pump - kW	0.08	0.2	0.2	0.2
electrical elements - kW	2	2	2	2
Hot rinse cycle				
duration - sec.	15	15	15	15
temperature during rinse - °C	80-90	80-90	80-90	80-90
water consumption - lt./cycle	2	2	2	2
Boiler capacity - lt.	2.5	3.25	3.25	3.25
Boiler elements - kW	2.4	2.4	2.4	2.4
Power - kW				
total power	2.5	2.6	2.6	2.6
Noise level - dBA	58	58	58	58
Net weight - kg.	32	36	36	36
Supply voltage	230 V, 1N, 50	230 V, 1N, 50	230 V, 1N, 50	230 V, 1N, 50
INCLUDED ACCESSORIES				
RECT.CUTLERY HOLDER(55X130X100H)-2 COMP.	1	1	1	1
SQ. BASKET 350X350MM INCL.BOTTOM H=120MM			1	1
SQUARE BASKET 350X350 MM (H. 120 MM)	1	1		

OPTIONAL ACCESSORIES				
ACCESSORIES	MODELS			
	LB35CQ 727034	LB35Q 727038	LB35QD 727039	LB35QDD 727040
RECT.CUTLERY HOLDER(55X130X100H)-2 COMP.	860140	860140	860140	860140
S/S STAND FOR GW WITH BASKET 350X350MM		860153	860153	860153
SQ. BASKET 350X350MM INCL.BOTTOM H=120MM	860151	860151	860151	860151
SQUARE BASKET 350X350 MM (H. 120 MM)	860138	860138	860138	860138
SQUARE BASKET 350X350 MM (H. 180 MM)	860147	860147	860147	860147
SQUARE BASKET 350X350 MM-INCLINED BOTTOM	860148	860148	860148	860148



www.zanussiprofessional.com

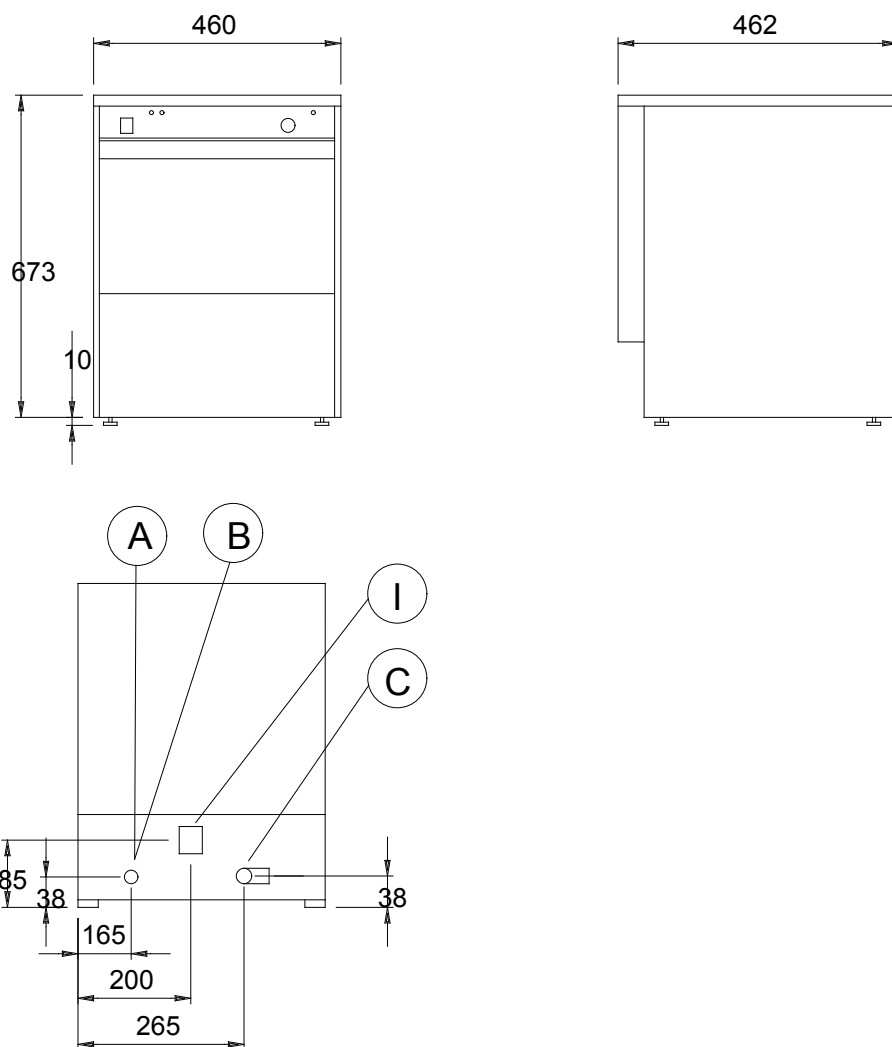


LEGEND

	LB35CQ 727034
CWI - Cold water inlet	G 3/4"
D - Water drain	25mm
EI - Electrical connection	230 V, 1N, 50



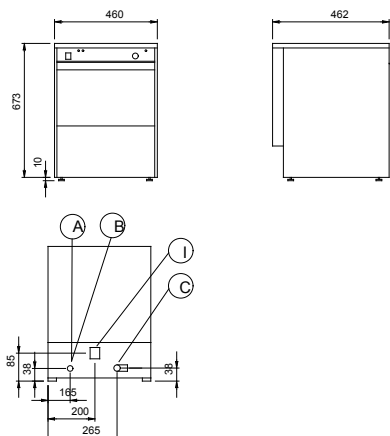
www.zanussiprofessional.com



LEGEND

	LB35Q 727038
B - Cold water inlet	G 3/4"
C - Water drain	25mm
I - Electrical connection	230 V, 1N, 50


www.zanussiprofessional.com

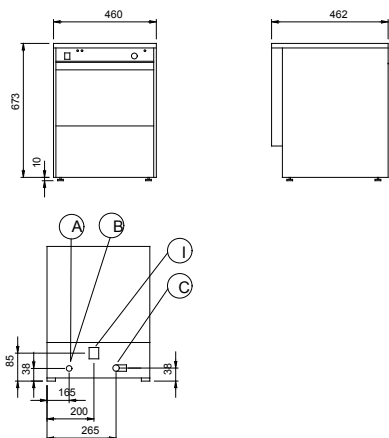


LEGEND

	LB35QD 727039
B - Cold water inlet	G 3/4"
C - Water drain	25mm
I - Electrical connection	230 V, 1N, 50



www.zanussiprofessional.com



LEGEND

	LB35QDD 727040
B - Cold water inlet	G 3/4"
C - Water drain	25mm
I - Electrical connection	230 V, 1N, 50



www.zanussiprofessional.com