

DISHWASHER DW 910

INSTRUCTION BOOKLET

CONTENTS

page 4	-	Warnings and Guidance
page 5	-	Installation
page 8	-	Electrical connections
page 9	-	The Controls
page 10	-	Using the controls
page 11	-	Using your machine
page 13	-	Loading your machine
page 15	-	Helpful hints
page 16	-	Use of detergent
page 17	-	Programme selection
page 18	-	Washing example
page 19	-	Maintenance & cleaning
page 21	-	Servicing
page 28	-	Peace of mind for twelve months

TECHNICAL SPECIFICATIONS

DIMENSIONS	Width	cm 60
	Height with worktop	cm 85
	Height without worktop	cm 82
	Max depth	cm 60
	Max depth with door open	cm 119
WEIGHT	Gross	kg 55
	Net	kg 52
ELECTRICAL CONNECTION	Voltage (50 Hz)	220-240 V
POWER OF HEATING ELEMENT		2570 W
OVERALL POWER		2770 W
WATER SUPPLY PRESSURE	minimum	7 psi - 49 KN/cm ²
	maximum	110 psi - 758 KN/cm ²
CAPACITY (standard IEC place settings)		12
CONSUMPTION:	Water	22 lt
	Electricity	1.5 KW/h

This appliance complies with the E.E.C. Directive No. 87/308 of 2.6.87 relative to radio interference suppression.

WARNINGS AND GUIDANCE

It is most important that this instruction book should be retained with the appliance for future reference. Should the appliance be sold or transferred to another owner, or should you move house and leave the appliance, always ensure that the book is left with the appliance in order that the new owner can get to know the functioning of the appliance and the relevant warnings.

These warnings are provided in the interest of safety. You must read them carefully before installing or using the appliance.

- Unplug the appliance and turn off the water after use.
- Any plumbing work required to install this appliance should be carried out by a qualified plumber or competent person.
- Any electrical work required to install this appliance should be carried out by a qualified electrician or competent person.
- This appliance is designed to be operated by adults. Children should not be allowed to tamper with the controls or play with the product.
- This product should be serviced by an authorised Zanussi Service Force Centre, and only genuine Zanussi spare parts should be used.
- It is dangerous to alter the specification or modify the product in any way.
- Care must be taken to ensure that the appliance does not stand on the electrical supply cable.
- Zanussi dishwashers are designed to be used for washing normal household utensils. Items that are contaminated by petrol, paint, steel or iron debris, corrosive, acidic or alkaline chemicals are not to be washed in a dishwasher.
- When finishing loading or unloading close the door, as an open door can be a hazard.
- If your house is fitted with a water softening unit, it is not necessary to add salt to the water softening unit in the dishwasher.
- Do not put in your dishwasher: Cutlery with wooden or horn handles or glued parts, bronze cutlery, saucepans with wooden handles unless they are sold as dishwasher proof, aluminium ware, crystal ware, leaded glass, plastic articles unless sold as dishwasher proof, antique china or fine decorated china unless sold as dishwasher proof. Always check with the manufacturer of the item if in any doubt.
- A chemical reaction can occur between silvery cutlery and stainless steel cutlery. As a precaution do not wash together.
- Under no circumstances should you open the door whilst the appliance is in operation. Always turn off the appliance before opening the door.
- Care should be taken when cleaning the bottom door seal and hinge area as any exposed metal edges may cut if care is not observed.
- Built-in dishwashers only: The appliance must be secured to the underside of the worktop using the brackets provided. Failure to do this could result in an unstable appliance which may cause damage or injury.
- Under no circumstances should you attempt to repair the appliance yourself. Repairs carried out by inexperienced persons may cause injury or more serious malfunctioning. Refer to your local Zanussi Service Force Centre. Always insist on genuine Zanussi spare parts.

INSTALLATION

Remove all packaging before positioning the machine.

Positioning

If possible, position the machine next to a water tap and a drain.

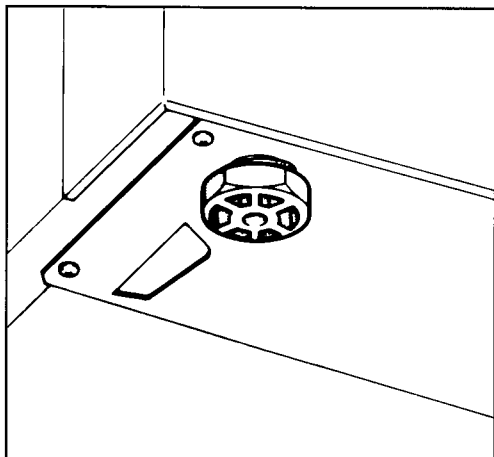
The sides and the back of the dishwasher can rest against the adjacent furniture or the wall.

The dishwasher features fill and drain hoses which can be turned either to the left or the right to suit the installation.

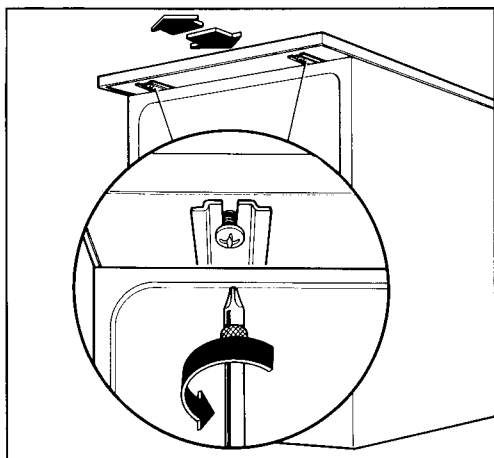
Levelling

Good levelling is essential for correct closure and seal of the door.

Loosen or tighten the adjustable support feet, until the machine is perfectly level.



Adjusting the Worktop



You can move the worktop forward or backward by 25 mm in order to align the machine with the other kitchen units.

Simply unscrew the two front retaining screws, move the top to the required position and then retighten the screws.

Installing and Securing the Machine Under a Kitchen Unit (Sink-Worktop Unit)

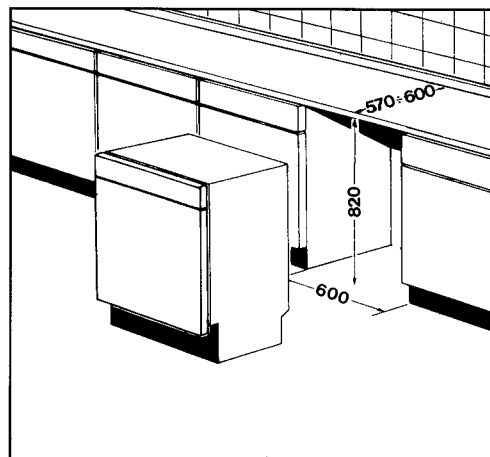
By removing the machine's worktop, you can install it under a close fitting sink unit or a pre-existing top, if the dimensions of the recess correspond to those shown in the picture.

Then proceed as follows:

- Remove the machine worktop by unscrewing the two front retaining screws, pull from the front and slide out of the rear slots, lifting the worktop.
- Insert the machine after adjusting the height and levelling with the adjustable feet. When inserting the machine, ensure that the water inlet and drain hoses are not bent or squashed.

Caution

Once the machine has been installed, ensure that it can be accessed easily for servicing.



Fitting a Decor Panel on the Door

The door of this machine has frames for fitting plastic laminate decor panel in the colour required to match the dishwasher with the rest of the kitchen furniture. If you want to do this you must provide this panel yourself.

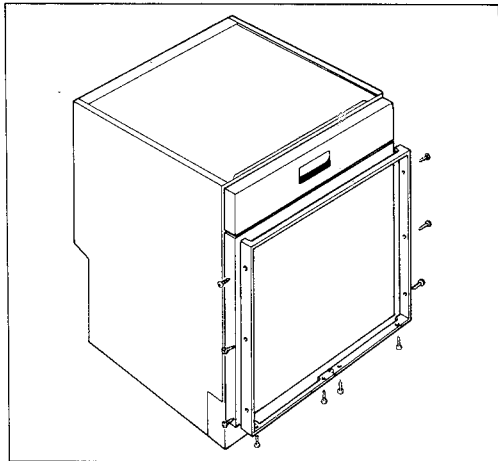
Width: 588 mm
Height 586 mm
Max thickness: 4 mm

To Fit the Panel

- Take the door frame off after removing the retaining screws around the edge.
- Position the panel, refit the frame and tighten the retaining screws around the edge.

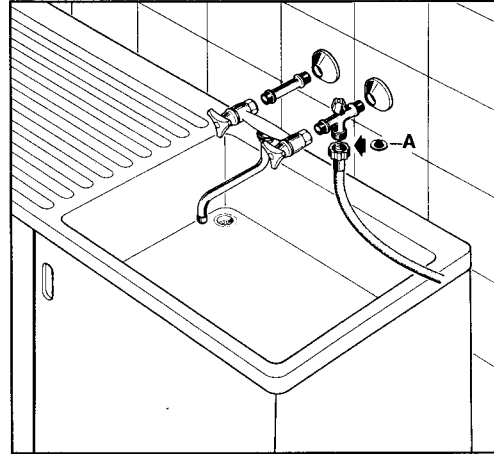
Note

The panel should be fitted before positioning the machine.



As to the making of the connection itself, the coupling nut fitted to the machine's supply hose is designed to screw onto either a 3/4 inch gas thread spout, or to a purpose made quick-coupling tap such as the Press-Block.

To make this easier, the hose itself may be turned to the left or the right. In either case, be sure to incorporate the strainer A supplied with the machine onto the joint. See picture.



Caution: the retaining ring must be correctly fitted to avoid water leaks.

Avoid bends or kinks in the hose which could prevent or slow down the flow of water.

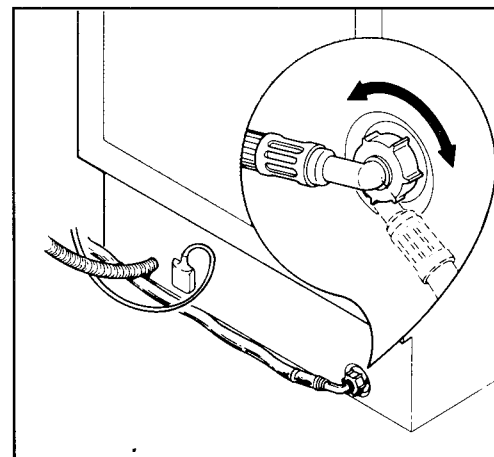
If the machine is connected to new pipes or pipes which have not been used for a long time, you are advised to run the water for a few minutes before connecting the inlet hose. This will prevent deposits of sand or rust clogging the inlet hose filter.

Water Supply Connections

This dishwasher must be plumbed into a cold water supply and it is preferable for it to be permanently plumbed in.

The water pressure must be within the limits given in the technical specifications, as it will not function correctly if pressure is outside these specifications.

Your local Water Authority will advise you on the average mains pressure in your area. Where the water is supplied via a cold water storage cistern, you can work out the pressure yourself by measuring the vertical distance (or «head») between the machine's inlet hose and the outlet from the cold water storage cistern, allowing roughly 1 psi for every 2 feet.



Water Outlet Connection

The end of the drain hose can be connected as follows:

to the sink outlet siphon, securing it if necessary with a clip;

to a wall outlet provided with vent-hole, minimum internal diameter 4 cm;

hooked over the edge of the sink using the special curved plastic guide provided.

The waste connection must be at a height of between 30 cm (minimum) and 100 cm (maximum) from the floor.

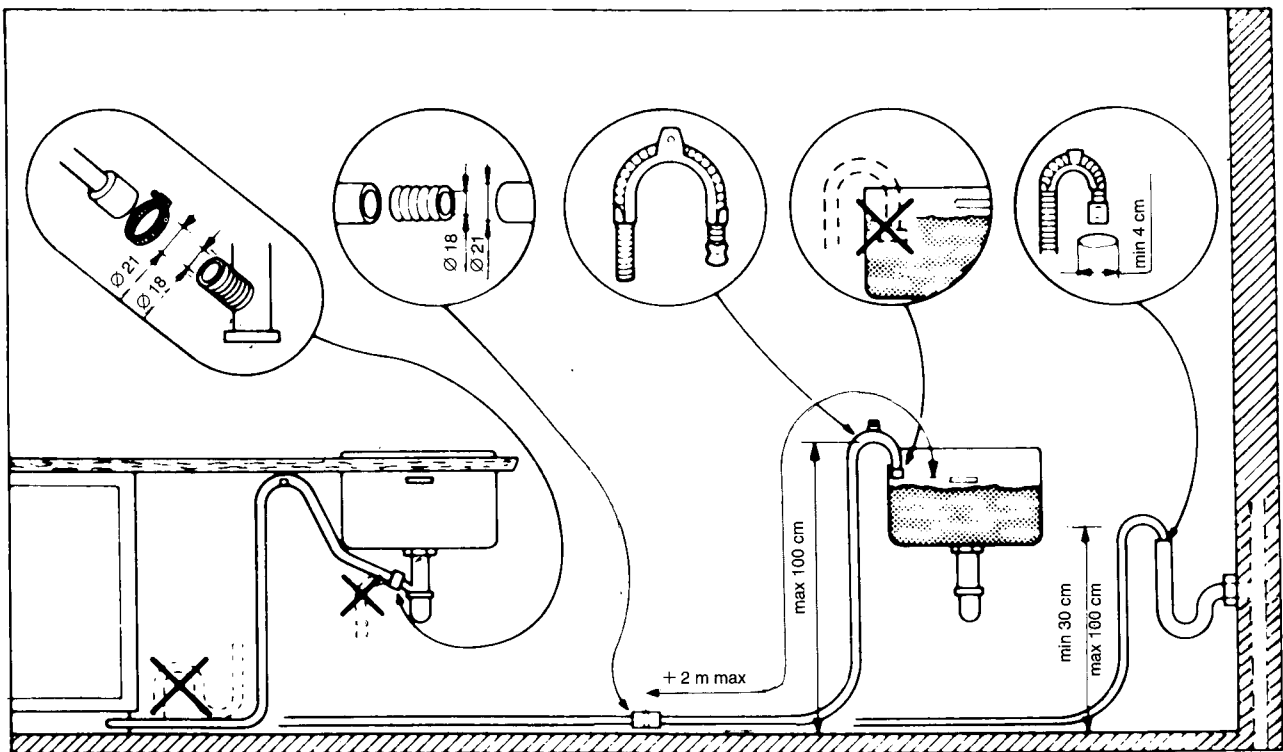
It makes no difference which way the drain hose faces either to the right or left of the dishwasher.

Avoid bending or kinking the hose as this could prevent or slow down the discharge of water.

If you use a drain hose extension it must be no longer than 2 metres and its internal diameter must be no smaller than the diameter of the hose provided.

Likewise the internal diameter of the couplings used for connection to the waste outlet must be no smaller than the diameter of the drain hose.

Note: The sink plug must not be in place when the machine is draining as this could cause the water to siphon back into the machine.



The Electrical Connections

WARNING

THIS APPLIANCE MUST BE EARTHED.

The manufacturer declines any liability should this safety measure not be observed.

If the plug that is fitted to your appliance is not suitable for your socket outlet, it must be cut off and the appropriate plug fitted.

Remove the fuse from the cut off plug.

The plug should then be disposed of to prevent the hazard of electric shocks in case it should be plugged into a 13 Amp socket in another part of your home.

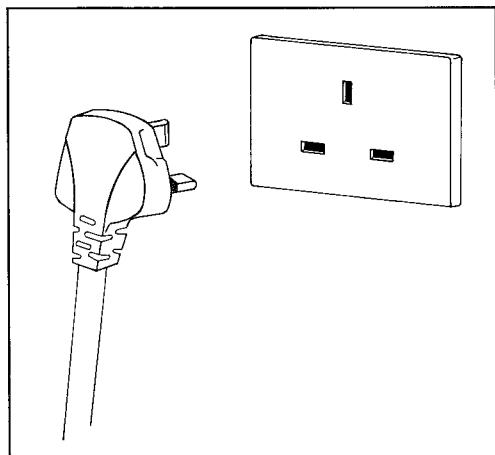
Please ensure that when the appliance is installed it is **easily accessible** for the engineer in the event of a breakdown.

Important

The wires in the mains lead are colour coded in accordance with the following code:

Green and Yellow	Earth
Blue	Neutral
Brown	Live

If you fit your own plug, the colours of the wires in the mains lead of your appliance may not correspond with the markings identifying the terminals in your plug, proceed as follows:



- Connect the green and yellow (earth) wire to the terminal in the plug which is marked with the letter «E» or the earth symbol \oplus , or coloured green, or green and yellow.
- Connect the blue (neutral) wire to the terminal in the plug which is marked with the letter «N» or coloured black.
- Connect the brown (live) wire to the terminal in the plug which is marked with the letter «L» or coloured red.

The plug moulded onto the lead incorporates a fuse. For replacement use a 13 Amp BS 1362 fuse. Only ASTA approved fuses should be used.

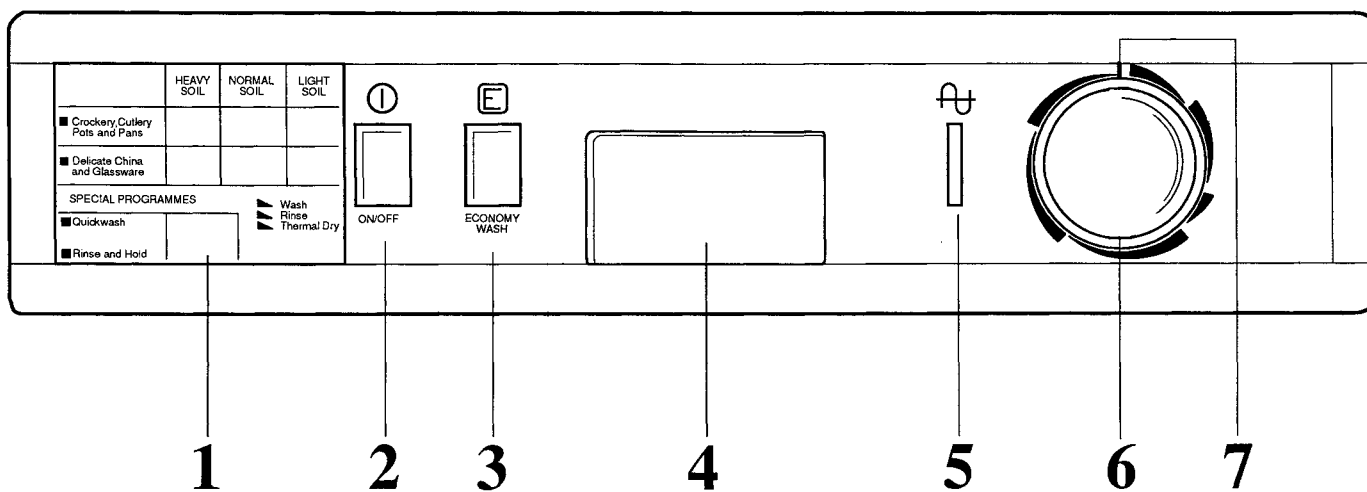
The fuse cover/carrier must be replaced in the event of changing a fuse.

The fuse cover/carrier is the one shown by the coloured insert at the base of the plug or is the colour of the inscription at the base of the plug.

The plug must NOT be used if the fuse cover/carrier is lost.

A replacement cover/carrier must be obtained from your local Zanussi Service Force Centre whose address is listed in your local telephone directory under «Z».

THE CONTROLS



1. Programme guide
2. ON/OFF Pushbutton ⓘ
3. Economy Pushbutton (E)
4. Door Handle
5. Pilot Light ⚡
6. Programme Selector Dial
7. Red Programme Marker

USING THE CONTROLS

1. Programme Guide

This is a summary of the washing programme chart (page 17) to help you to select the correct programme.

ON/OFF Pushbutton ①

ON

By depressing this pushbutton the machine starts operating and, at the same time, the pilot light illuminates.

OFF

When the washing programme has finished, the machine stops automatically and the pilot light (5) remains on.

To switch the pilot light off or to stop the machine at any time, press the same button ① again.

3. Economy Pushbutton E

This pushbutton allows selection of the required water temperature.

When depressed the water will heat up to 55°C.

By depressing the pushbutton again the water will heat up to 65°C.

4. Door Handle

To open the door press the catch in the top of the recess and pull the door toward you at the same time.

5. Pilot Light

This comes on when the ON/OFF button 2 is depressed, indicating that the machine is on.

6. Programme Selector Dial

To select a programme, push the Programme Selector Dial in to make it pop out. Then turn it clockwise, making sure that the programme letter you wish to select corresponds with the Red Marker (7).

When the programme has finished, the Black Marker on the Programme Selector Dial corresponds with the Red Marker (7).

USING YOUR MACHINE

The Water Softener

Water contains varying amounts of lime and mineral salts depending on the area in which you live: these are deposited on the dishes leaving white marks.

The higher the content of these salts, the harder your water will be. The «hardness» level is measured on 3 equivalent scales: PPM, Clark Degrees, French Degrees.

Contact your local Water Authority to find the exact water hardness level for your area.

The dishwasher is equipped with a softener which uses special dishwasher salt to provide lime-free (softened) water. The softener can treat water hardness up to 90 french degrees via 5 adjustment levels.

Find on the table below the level corresponding to the hardness of your water and the required adjustments:

Level of water hardness	WATER HARDNESS (if in doubt contact your local Water Authority)			WATER SOFTENING Use of salt	WATER HARDNESS ADJUSTMENT POSITION (refer to text below)	
	PPM	Clark Degrees	French Degrees		On the water softener	On the machine
1	0-140	0-10	0-14	NO	NO	NO
2	150-390	11-27	15-39	YES	NO	NO
3	400-500	28-35	40-50	YES	YES	NO
4	510-700	36-49	51-70	YES	NO	YES
5	710-900	50-63	71-90	YES	YES	YES

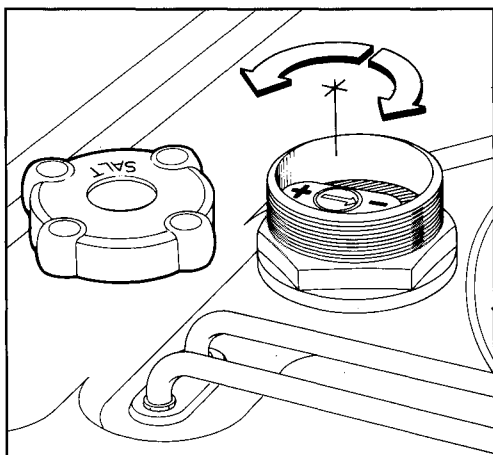
The water softener is factory set level 2 as this suits most users.

If your water is «level 1» it is already soft and therefore there is no need to use salt. In this case do not take into account the salt light (10).

Water softener adjustment (levels 3 and 5)

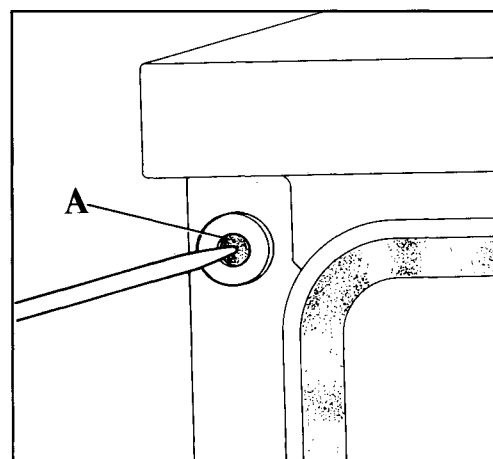
If your water is level 3 or 5, proceed as follows:

- slide out the lower basket and unscrew the cap of the salt container;
- turn the two position selector from position – to position + with the aid of a knife or a screwdriver.



Adjustment on the machine (levels 4 and 5)

If your water is level 4 or 5, open the door and drill membrane A on the upper left-hand corner of the machine.



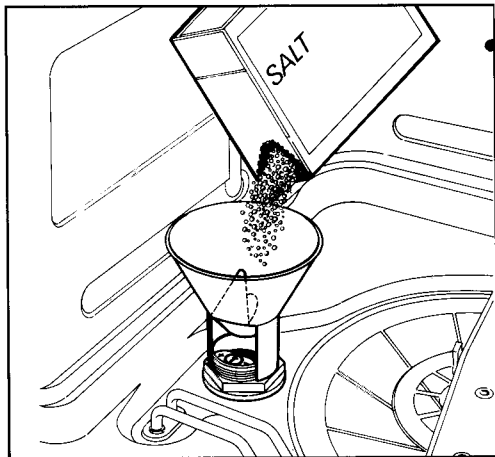
Important

Salt MUST be used regularly from level 2 upward.

Filling with Salt

Only use salt designed specifically for use in dishwashers. Other types of salt contain high percentages of other substances which may reduce the efficiency of the softener.

- Unscrew the cap of the salt container.
- Fill the container with water.
- Place approximately 1.5 kg of dishwasher salt inside using the funnel provided (see figure).
- Replace the cap making sure that there is no trace of salt on the screw thread or on the gasket.
- Screw the cap on tightly.



When this has been done, all you have to do is to periodically add salt to the container. You are reminded of this by a green refill indicator on the cap of the water softener.

When the green indicator disappears, the water softener needs refilling with salt.

Caution

Only fill with salt just before starting one of the complete washing programmes (not the Rinse and Hold programme). This will prevent any grains of salt or salty water, which may have been spilled, remaining on the bottom of the machine for any period of time. This could cause corrosion.

Rinse Aid

This liquid gives the dishes a shiny finish and improves drying. It is automatically added during the hot rinse. The dispenser, which is positioned inside the door, holds about 110 ml of rinse aid, which is sufficient for 16-40 dishwashing programmes, depending upon the dosage setting.

Filling with Rinse Aid

- Open the container by turning the lid (A) anticlockwise.
- Add rinse aid until the indicator (B) goes completely dark when the container is full.
- Add rinse aid again when the indicator (B) becomes clear.

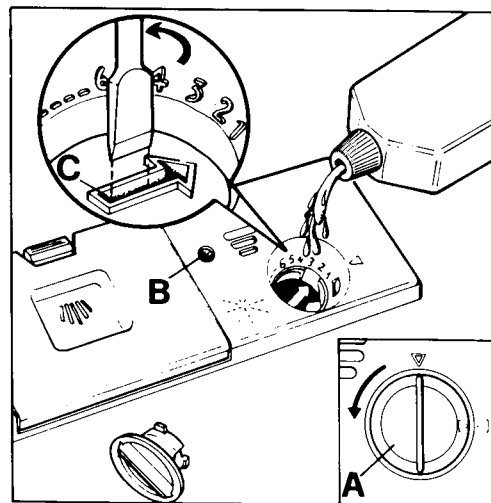
Remember to CLOSE the lid after every refill.

Caution

Clean up any rinse aid spilt during filling with an absorbent cloth to avoid excess foaming during the next wash.

Adjusting the Dose

According to the finish and drying results obtained, adjust the dose of rinse aid by means of the 6 position selector (C) (position 1 - minimum dose, position 6 - maximum dose). Gradually increase the dose if there are drops of water or lime spots on the dishes after washing. Reduce it if there are sticky whitish streaks on the dishes.



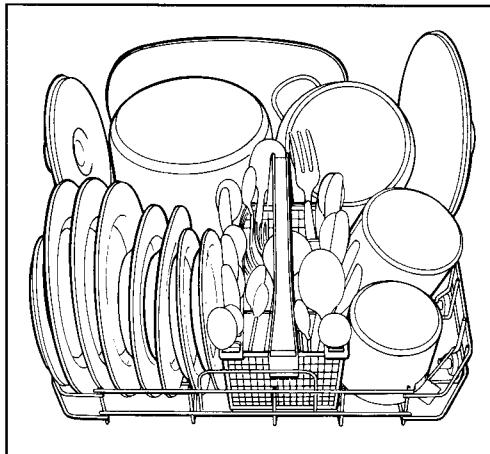
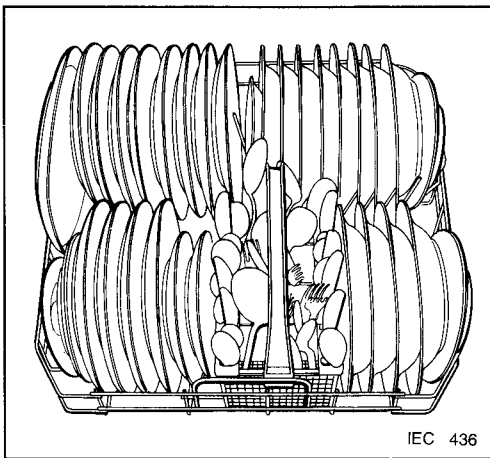
Loading your Machine

Before placing the dishes in the machine, remove the large scraps of food from the plates (small bones, toothpicks, fish bones, scraps of meat and vegetables, fruit skins etc.) to avoid clogging the filters and consequently reducing the performance.

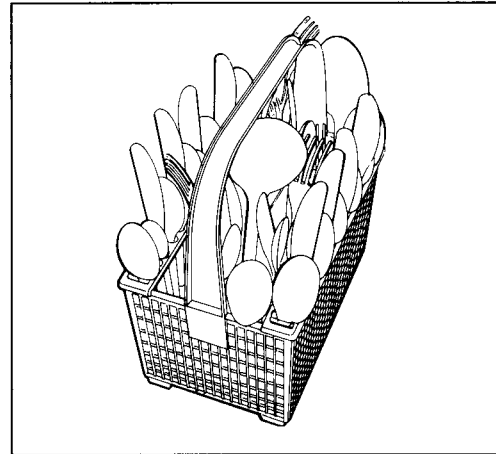
Open the door and slide out the baskets to load the dishes.

Use of the Lower Basket

- The lower basket is designed to take saucepans, lids, plates (up to 27 cm in diameter), salad bowls, cutlery etc.
- Serving dishes and large lids should be arranged around the edge of the basket, ensuring that the upper spray arm can turn freely.



- Cutlery should be placed in the removable cutlery basket with the handles facing downwards. If the handles protrude from the bottom of the basket, obstructing the lower spray arm, load the cutlery with the handles facing upward.
- Place tea spoons, and other small cutlery on the special cutlery-rack on both sides of the cutlery basket, see picture.
- Mix spoons with the other cutlery to prevent them sticking together.

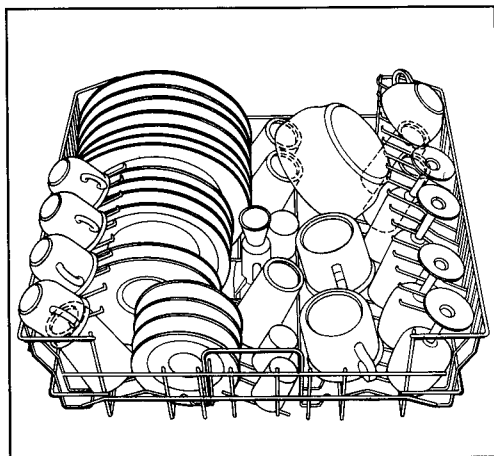
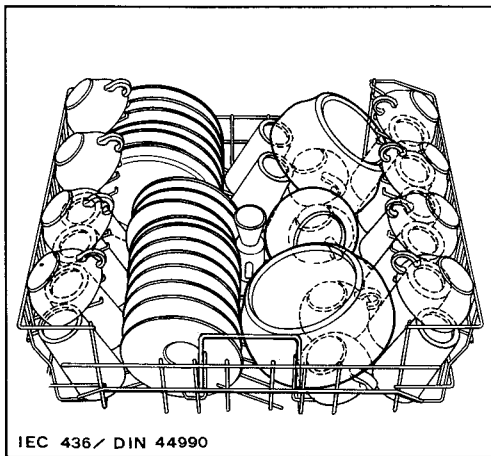


Note:

Some models are not provided with a handle for the cutlery basket.

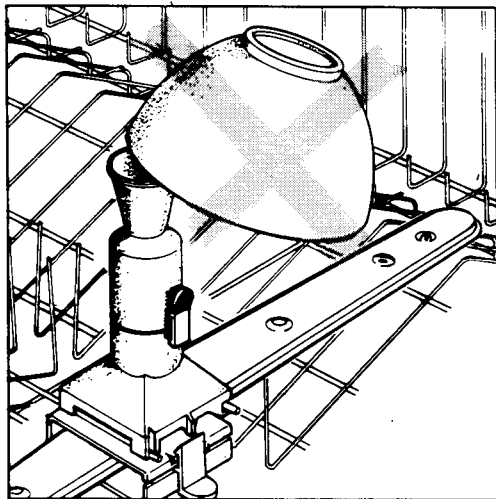
Use of the Upper Basket

The upper basket is designed for plates (dessert plates, saucers, dinner plates up to 24.6 cm in diameter), salad bowls, cups and glasses; these should be arranged as shown in the pictures. Glasses with long stems can be placed upside-down in the raised cup-racks.



Caution

When loading the dishes, ensure that you do not cover the water inlet funnel in the middle of the upper basket.

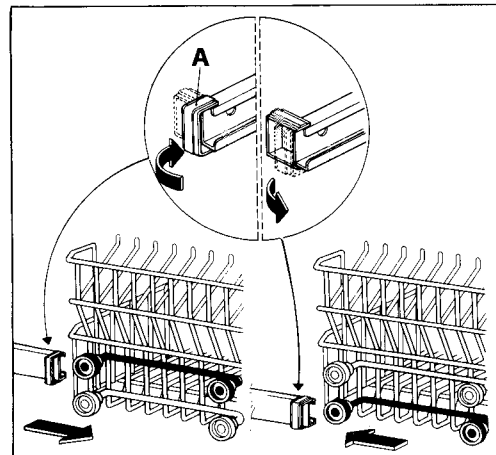


Before closing the door, ensure that the spray arms can rotate freely.

Adjusting the Height of the Upper Basket

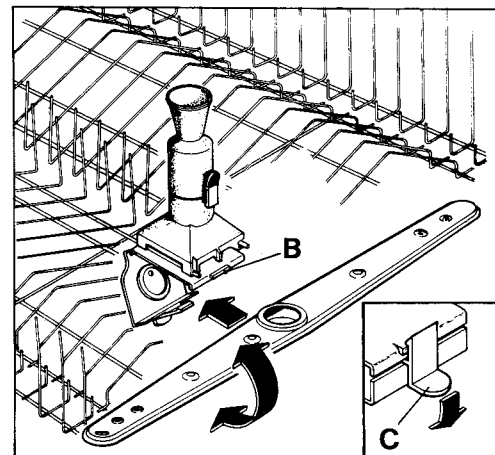
If washing very large plates (over 27 cm and up to 31 cm in diameter) you can load them in the lower basket after moving the upper basket to the higher position as follows:

- Move the front runner stops (A) of the upper basket outward and slide the basket out.
- Refit the basket in the higher position and replace the stops (A) in the original position.
- When the top basket is in the higher position it will only take plates up to 20 cm in diameter and you will not be able to use the raised cup-racks.



Reversible Spray Arm

If a small load of heavily soiled Crockery is to be washed, this can be placed only into the bottom basket. At the same time the upper spray arm position should be reversed as per following figure.



To do so, unhook the upper spray arm from the central support B by pressing the clip C and refit it in a reverse position (holes on the bottom). In this way the wash efficiency is improved, as the bottom basket is sprayed by both arms.

When the wash is completed, do remember to reset the upper arm to the original position (holes on top).

Helpful Hints

This dishwasher offers a wide range of washing programmes depending on how soiled your dishes are and the type of crockery to be washed.

Refer to the programme chart on the following pages to select the most suitable programme.

For Best Washing Results:

- Before loading, remove all the scraps of food and soak very heavily soiled pots and pans.
- Always arrange saucepans, cups and glasses etc. upside-down.
- Tilt items with convex or concave surfaces so that the water drains off easily.
- Long items of cutlery such as ladles, carving knives etc. should be positioned horizontally in the upper basket.
- Avoid contact between the dishes as far as possible; correct arrangement of the items will give better washing results.
- Light items (plastic bowls etc.) should be loaded in the upper basket and arranged so that they do not move during washing.

To Save Energy

- Do not prewash the dishes under running water.
- Place the dishes in the machine immediately after every meal and wait until the dishwasher is full before washing.
- If necessary run the Rinse and Hold programme (see Programme Chart on the following pages), so that any food scraps do not become caked on the dishes while you are waiting to run the complete wash programme.
- Select an ECONOMIC programme when the baskets are not very full and/or when the dishes are not very soiled following the instructions given in the Programme Chart (ECONOMY programmes, QUICK programme).
- You will improve drying results by leaving the dishwasher door open for at least 15-30 minutes as soon as the programme finishes.
- Care must be taken when opening the door, as steam will escape.

Items not Suitable for Dishwasher

The following should not be washed in the dishwasher:

- Cutlery or dishes with wooden or horn handles or glued parts.
- Handmade items, wooden objects, antiques or hand-painted china.
- Certain types of decoration can discolour when washed in a dishwasher.
- Crystal ware and plastic objects, if not guaranteed dishwasher-proof, should be washed by hand. You are advised to place them in the upper basket and to select a delicate programme.
- Certain types of glass can also become opaque after being washed several times in a dishwasher.
- Silver cutlery tends to go black if mixed with steel cutlery. Place it in the cutlery basket separate from the others.
- Iron and cast iron objects can rust and stain the other items.
- Aluminium tends to go black; copper, pewter and brass tend to stain.

Caution: You are advised not to load very small items which can fall through the baskets.

Note: When buying new dishes, ensure that they are dishwasher-proof.

Use of Detergent

Before beginning any of the dishwashing programmes, except for the rinse and hold programme, load the detergent in the dispenser.

Use only tablets, powder or liquid detergents specifically designed for domestic dishwashers.

Unsuitable detergents (such as those for washing by hand) do not contain the right ingredients for machine washing and hamper correct functioning of the machine.

To open the dispenser lid, pull the catch (D). This will open it.

At the end of any washing programme the lid is always open, ready for the next wash.

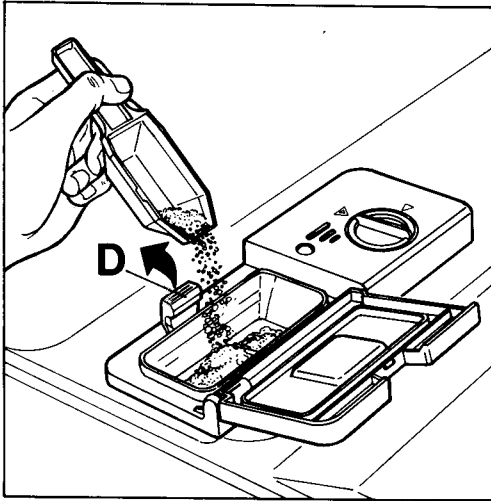
The amount of the detergent to be used varies depending on how soiled the dishes are and the type of dishes being washed. We recommend the amounts shown in the programme chart.

After filling the dispenser with detergent, close the lid.

Remember that insufficient quantities of detergent will produce poor washing results whereas an excessive amount of detergent does not improve washing results and is also wasteful.














Using no more than the correct amount of detergent also contributes to reducing pollution.

Zanussi recommends the use of Finish dishwasher detergent.



Since not all the detergents are the same, you should also consult the instructions on the packet.

WASHING PROGRAMMES

Type of Load	Degree of Soil	Programme Knob Setting	Required Pushbutton	Cycle Description	Recommended Quantity of Detergent
* Crockery Cutlery Pots & Pans	Heavy soil	A		Cold Prewash Main wash up to 65°C 1 cold rinse 1 hot rinse Hot air drying	2 dessert spoons (25 g)
Crockery, Cutlery, Pots & Pans	Normal soil	B		Main wash up to 65°C 1 cold rinse 1 hot rinse Hot air drying	2 dessert spoons (25 g)
Crockery, Cutlery, Pots & Pans	Light Soil	A	 	Cold prewash Main wash up to 55°C 1 cold rinse 1 hot rinse Hot air drying	2 level dessert spoons (20 g)
Delicate China and Glassware	Heavy soil	A	 	Cold prewash Main wash up to 55°C 1 cold rinse 1 hot rinse Hot air drying	2 level dessert spoons (20 g)
Delicate China and Glassware	Normal soil	B	 	Main wash up to 55°C 1 cold rinse 1 hot rinse Hot air drying	2 level dessert spoons (20 g)
** Delicate China and Glassware	Light soil	C	 	Main wash up to 55°C 2 cold rinses	1 heaped dessert spoon (15 g)
** Crockery and Cutlery	Quickwash	C	 	Main wash up to 55°C 2 cold rinses	1 heaped dessert spoon (15 g)
Any	Rinse & Hold	D		Cold rinse	—

* This programme is equivalent to IEC436 standard.

** This is a special programme to wash in a short time (approx. 26 minutes) a full load of lightly soiled dishes, glasses and crockery (except pots) so that you may re-use them promptly. Due to the shortness of this programme, no drying phase is provided.

Washing Example

Washing a mixed load of saucepans and dishes using the «Energetic with prewash» programme.

Below is an example of how to set and start a washing programme, listing in order everything to be remembered daily.

1) Check that the filters are clean (see next page for cleaning instructions)

2) Check that there is salt and rinse aid.

3) Load the dishes

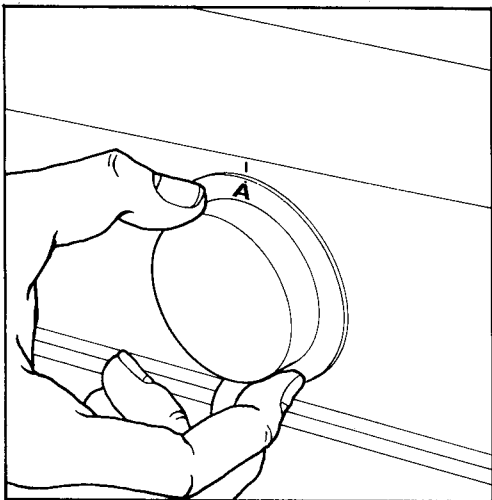
- Remove the larger scraps of food.
- Pull the lower basket out and arrange the saucepans, plates and cutlery in it.
- Pull the upper basket out and arrange the plates, saucers, glasses and cups etc. in it.
- Slide the baskets back into the machine.
- Ensure that the spray arms can rotate freely.

4) Measure out detergent

- Pour two dessertspoonfuls (25 g) of detergent into the dispenser and close the lid.
- Close the dishwasher door.

5) Set the programme

Push the Programme Selector Dial in to make it pop out. Then turn it clockwise until the letter «A» of the «Energetic with Prewash» programme corresponds with the Red Marker (7) on the control panel.



6) Start the programme up

Depress ON/OFF pushbutton (2). The pilot light (5) will come on and the machine will start.

If you wish to interrupt the wash at any time press button (2) again.

To restart the machine, depress the same button again and the programme will continue from the point where it was interrupted.

7) At the end of the washing programme the Black Marker on the Programme Selector Dial will correspond with the Red Marker (7).

The machine will stop and the pilot light (5) remains on until ON/OFF button (2) is depressed.

- Turn off the water tap.
- Open the door and wait a few minutes before removing the dishes; in this way you will avoid burning your fingers and the drying will be improved.
- Empty the lower basket first and then the upper one; this will avoid water dripping from the upper basket onto the dishes in the lower one.

Caution

In general it is not advisable to open the door while the machine is working; if the door is opened however, a safety device ensures that the machine stops.

If you have to open the door while the machine is working, always switch off the appliance first by pressing the ON/OFF button (2).

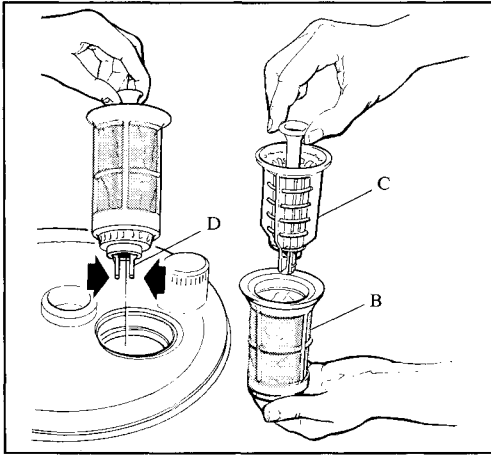
Care must be taken if opening the door, as steam will escape.

MAINTENANCE AND CLEANING

1. After Each Wash

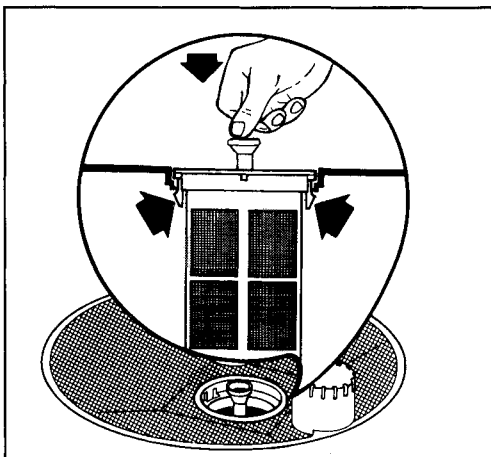
Cleaning the central filter

Inspect the central filters B and C and remove any scraps of food with a brush under running water.



The filters B and C are both removed by lifting up the outer one B (pulling the central funnel upwards); the smaller filter C can then be removed by pressing the two tongues D.

Once cleaned, refit the filters by pressing them down until they click into place.



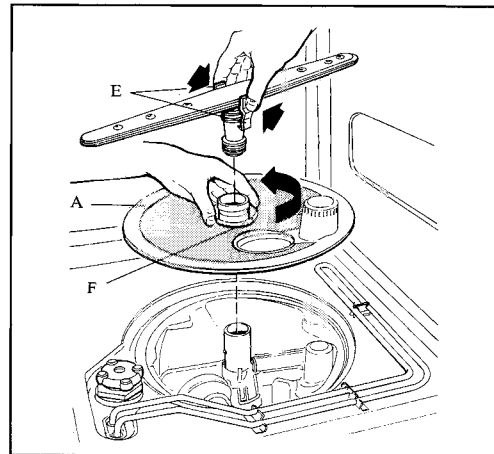
2. Once a Month

Cleaning the large filter

Clean the large filter A on both sides under running water using a brush.

To take it out, remove the spray arm by pressing the two tongues E, turn the ring F anti-clockwise (towards the left) and then slide the whole part out.

Refit the filter following the above instructions in reverse order.



Caution: the dishwasher must not be used without the filters.

Incorrect repositioning of the filters will produce poor washing results.

Cleaning of the filters is vital to ensure correct operation of the machine.

Internal and External Cleaning

- You must ensure that the seals around the door, the detergent and rinse aid dispenser are cleaned regularly with a damp cloth.
- We recommend the use of Finish Dishwasher Cleaner every 3 months, or run a wash programme without dishes using detergent.
- Check that the spray arm nozzles are not obstructed.
To remove the bottom spray arm release it from its securing catches and pull it out. To clean the nozzles of the top spray arm, slide out the top basket whereby the spray arm will become accessible. To remove it, unhook it from the central support.
- Clean the external surfaces of the machine and control panel with a soft damp cloth. If necessary use only neutral detergents. Never use abrasive products, scouring pads or solvents (acetone, trichloroethylene etc...).

Prolonged Periods of Non-Operation

If you are not using the machine for any period of time you are advised to:

- unplug the appliance and turn off the water;
- fill the rinse aid dispenser;
- leave the door ajar to prevent the formation of unpleasant smells;
- leave the inside of the machine clean.

The Dangers of Freezing

If the machine is exposed to temperatures below 0°C the water left in the pipes can freeze. You should ensure that the room temperature is above 0°C before starting a wash programme.

Moving the Machine

If you have to move the machine (you are moving house etc...):

- unplug it;
- turn off the water tap;
- remove the water inlet and discharge hoses;
- pull the machine out together with the hoses.

Caution: avoid overtilting the machine during transport.

SERVICING

Certain problems are due to lack of simple maintenance or oversights and can be solved easily without having to call the Servicing Department.

■ PROBLEM	● CAUSE	▶ SOLUTION
■ THE MACHINE DOES NOT START	● The door has not been properly closed	▶ Close the door
	● The plug is not properly inserted in the power socket	▶ Insert the plug into the socket
	● There is no current at the socket	▶ Check the fuse
■ THE MACHINE DOES NOT LOAD WATER	● The water tap is off	▶ Turn the tap on
	● The water supply has been cut off	▶ Wait for it to be restored
	● The inlet hose is bent	▶ Straighten out the bend
	● The water inlet hose filter is clogged	▶ Clean the filter at the end of the inlet hose
■ THE MACHINE DOES NOT DRAIN WATER	● The drain hose is bent	▶ Straighten out the bend
	● The sink drain is blocked	▶ Free the pipe or call a plumber
	● The drain hose extension is not correct	▶ Follow the instructions for connecting to the waste carefully
	● The wall drain has no vent-hole	▶ Consult a qualified technician
■ THE DISHES ARE NOT CLEAN (poor wash)	● The baskets are too full	▶ See instructions for loading the dishes
	● The dishes have not been arranged properly	▶ Do not pack the dishes too tightly. See instructions for loading the dishes.
	● The spray arms do not rotate	▶ Check before beginning the wash that the dishes are not obstructing the spray arms
	● The spray arm holes are clogged	▶ Clean the holes
	● The water inlet funnel in the centre of the upper basket is covered by dishes	▶ Arrange the dishes so that they do not cover the funnel
	● The end of the drain hose is submerged in waste water (in the sink)	▶ The end of the drain hose must not touch the waste water
	● The filters are clogged	▶ Clean the filters

■ PROBLEM

● CAUSE

▶ SOLUTION

■ THE DISHES ARE NOT CLEAN

● The filters are not in position

▶ Fit them correctly

● Not enough detergent has been used or it is unsuitable

▶ Increase the dose according to how soiled the load is or change the detergent

● The detergent is old or has gone hard

▶ Change the detergent

● The salt container cap is not properly closed

▶ Screw the cap on

● The washing programme selected is too gentle

▶ Select a more energetic programme

■ VISIBLE LIME DEPOSITS OR WHITE FILM ON THE DISHES

● There is no salt or the softener has not been adjusted to the hardness of the water

▶ Add salt or adjust the softener

● The rinse aid has run out or too little is being used

▶ Add rinse aid or increase the dose

■ TRACES OF COFFEE, TEA OR LIPSTICK HAVE BEEN LEFT ON THE DISHES

● The detergent is old or of poor quality or the dose is insufficient

▶ Change the detergent or increase the dose

■ THE MACHINE IS NOISY

● The dishes are rattling against each other

▶ Arrange them correctly in the baskets

● The spray arms are rotating against the dishes

▶ Arrange the dishes correctly

■ THE DISHES ARE NOT PERFECTLY DRY

● The dishes have been left too long inside the machine

▶ Leave the door ajar at the end of the programme

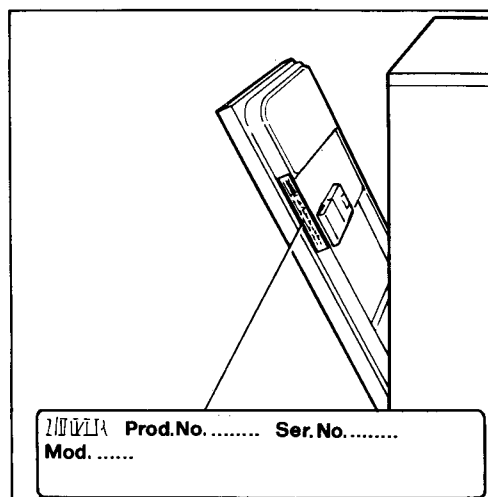
If, after the above checks, there is still a fault, call your nearest Zanussi Service Centre, whose address and telephone number can be found on the following pages.

Please make sure you give the model and serial number of the appliance. This information can be found on the rating plate (see picture), or on the guarantee certificate.

Original spare parts can be purchased from Zanussi Service Force Centres.

In guarantee customers should ensure that the above checks have been made as the engineer will make a charge if the fault is not a mechanical or electrical breakdown.

Please note that proof of purchase is required for any guarantee service calls.



**How to find the telephone number of
your
Zanussi Service Force
listed in this leaflet**

Zanussi Service areas are allocated by postcodes which are listed in alphabetical order for easy reference.

1. Look for the two letters of your address postcode in the far left 'Postcode' column.
2. Match up the number of your postcode against the number listed in the 'Postcode Numbers' column.
3. Look across the column to the Service Force Key Number for your area. Turn to the last page of this directory for the address and telephone number to contact for service which is listed against your key number.

If you are unsure of your postcode, the main towns and cities are listed in alphabetical order for easy reference.

Additionally, your local Zanussi Service Force Centre telephone number is listed under 'Z' in your telephone directory.

The Customer Care Department at Zanussi House, Hambridge Road, Newbury, RG14 5EP, Tel: 0635 521313, will be happy to help you with any queries or difficulties.

For Service in the Republic of Ireland

The telephone number of your service centre can be found in your Local Telephone Directory under "Elektro Service" or "Zanussi". The information can also be found in the Golden Pages under "Electrical Appliances - Repairing".



Post-code Letter	Town	Post-code Number	Service Force Key Number	Post-code Letter	Town	Post-code Number	Service Force Key Number
RH		4-5	50	TN	Tonbridge	3, 5-7	12
RH	Redhill	8	29	TQ	Torquay	1-6, 9, 12-13	78
RM	Romford	1-5, 7, 10-18	27	TQ		7-8	73
RM		6, 8-9	28	TQ		14	45
SA	Swansea	1-18, 31-32	3	TR	Truro	1-27	74
SA		33-39, 41-44, 61-73	76	TS	Stockton-on-		
SA	Swansea	19-20, 40, 45-48	77	TS	Tees	1-29	37
SE	London	All SE Codes	14	TW	Twickenham	1-20	51
SG	Stevenage	1-9, 11, 15	2	UB	Uxbridge	1-10	2
SG		10, 12-14	28	WA	Warrington	1-5, 8-9, 10-15	11
SG	Stevenage	16-19	22	WA		6-7	24
SK	Stockport	1-3, 6-12	30	WA	Warrington	16	30
SK		4-5, 13-16	11	WC	London	All WC Codes	44
SK	Stockport	17	33	WD	Watford	1-2, 4-7	2
SL	Slough	1-10	53	WD		3	53
SM	Sutton	1-3, 7	51	WF	Wakefield	1-17	8
SM		4-6	29	WN	Wigan	1-5, 7	11
SN	Swindon	1-8, 11-16	65	WN		6, 8	24
SN		9-10	4	WR	Worcester	1-14	19
SO	Southampton	1, 4, 41-43, 51	9	WR		15	41
SO		2-3, 5, 21-24, 52	13	WS	Walsall	1-15	18
SO	Southampton	20	4	WV	Wolverhampton	1-4, 10-14	18
SP	Salisbury	1-5, 9-11	4	WV		5-9, 15-16	41
SP		6	9	W	London	All West Codes	52
SP	Salisbury	7-8	9			Except 1-14	
SR	Sunderland	1-7, 9	66	W	London	3, 4, 5, 7, 13	2
SR		8	37	W	London	1-2, 6, 8-12, 14	44
SS	Southend-on-			YO	York	1-3, 5, 7-8	8
	Sea	0-9, 11-17, 99	27	YO		4, 6, 11-18, 25	38
ST	Stoke-on-			YO	York	21-22	37
	Trent	1-18, 20-21	30	ZE	Lerwick	1, 3	79
ST		19	18	ZE		2	80
SW	London	2, 4, 8-9, 12, 16-17	14				
SW	London	1, 3, 5-7, 10-11	44				
SW	London	13-15, 18	44				
SW	London	19-20	51				
SY	Shrewsbury	1-6, 9-17, 18-22	25				
SY		7, 17-19	54				
SY	Shrewsbury	8	41				
SY		23-25	77				
S	Sheffield	1-19, 30-31, 40-45	33				
S		60-66, 74, 80-81	33				
S	Sheffield	70-73, 75	8				
TA	Taunton	1-11, 21-24	6				
TA		12-20	5				
TD	Selkirk	1-15	35				
TF	Telford	1-8, 10-13	41				
TF		9	30				
TN	Tonbridge	1-2, 4, 8-11, 13-16	29				
TN	Tonbridge	12, 17-19, 23-40	36				

Service Force Key Number	Service Force Address	Telephone Number	Service Force Key Number	Service Force Address	Telephone Number
1	60 Commerce Street, Aberdeen, AB2 1BP	0224 583949	40	Unit 14 Stonefield Park, Clifton Street, Lincoln	0522 532330
	or Tel:	0224 582704	41	1 Underhill Street, Bridgnorth, Salop, WV16	0746 763322
2	Unit 4, Riverside Est, Coldharbour Ln, Harpenden	0582 461909	42	36 Buccleuch Street, Dalkeith, Midlothian, EH22	031 663 7758
3	3 Pentwyn Road, Blackwood, Gwent, Sth Wales	0495 223151	43	Block 2 Unit 5, Auchenraith Ind. Est. Rosendale	
4	31 St Andrews Road, Bemerton, Salisbury, SP2	0722 336072		Way, Blantyre	0698 828145
5	3 Bancombe Ct. Trad. Est., Martock, Yeovil, TA12	0935 822836	44	4 Royal Lane, Yiewsley, W-Drayton, UB7	0895 441917
6	6 Hamp Ind Est. Bridgwater, Somerset, TA6 3NT	0278 424550	45	91 Exeter Road, Exmouth, Devon, EX8 1QD	0395 263531
7	333 Ranglet Road, Walton Summit, Preston, PR5	0772 321200	46	Unit 4, Upcroft Ave, Pottington Ind Est, Barnstaple	0271 71774
8	57 Ingram Road, Holbeck, Leeds, Yorks,	0532 460992	47	Unit E6C Anniesland Ind. Est. Netherton Rd,	
9	63 Curzon Road, Bournemouth, BH1 4PW	0202 303363		Glasgow, Scotland	041 954 5304
10	Unit 2, Furnace Road, Ilkeston, Derbyshire	0602 442770		or Tel:	041 954 5349
11	Unit 41/42 Clarendon Ct, Winwick Quay, W'ton	0925 50822	48	Blencathra, Saumarez Lane, Castel, Guernsey	0481 56854
12	Unit 3, 21/25 Bridge Road, Haywards Heath, RH1	0444 417656	49	134 Eastgate Street, Gloucester, GL1 1QT	0452 422488
13	266 Main Road, Southbourne, Emsworth, PO10	0243 374814	50	Unit 1 Redfields Ind. Pk, Church Crookham, Fleet	0252 851414
	or Tel:	0243 371170	51	127 Walton Road, Molesey, Surrey, KT8 0DT	081 9796366
14	9, Bourne Road, Bromley, Kent, BR2 9PB	081 313 9533		or Tel:	081 9797962
15	Unit 1, Albert Crescent, Bristol, BS2 0YH	0272 713217	52	Unit 4, Riverside Est, Coldharbour Ln, Harpenden	0582 461909
16	Owenmore Hse, Kilwee Ind. Est., Upper		53	Reform Road, Maidenhead, Berkshire	0628 783711
	Dunmurry Lane, Belfast	0232 301121	54	Merion House, High Street, Llandrindod Wells	0597 824842
17	66 Birch Rd East, Wyreley Rd Ind. Est, B'ham	021 327 1671	55	South Quay Industrial Estate, Douglas, I.O.M.	0624 622114
18	Unit 3 Sterling Park, Claymore, Tamworth	0827 289800	56	Unit 2b, Eiton Park Business Centre, Hadleigh Rd,	
	or Tel:	0827 289822		Ipswich, IP2 0DQ	0473 211713
19	22 Newton Road, Malvern, Worcester, WR141NZ	0684 572915	57	75 Grove Road, Norwich, NR1 3RL	0603 629653
20	Unit 23/24, Alliance Business PK, Townsend Drv,		58	Unit 3B3, Smithton Ind. Est. Smithton, Inverness	0463 791822
	Nuneaton, CV11	0203 350666	59	Drummuie Road, Golspie, Sutherland, KW10 6SY	0408 633517
21	High Ehenside, Egremont, Cumbria, CA22	0946 820509	60	P.O.Box 45, Queens Road, St Helier, Jersey	0534 67001
22	1 Wharf Road, Higham Ferrers, Northants	0933 317727	61	Bruach, Blackwaterfoot, Isle of Arran	077 086 246
23	Unit 2b, Eiton Park Business Centre, Hadleigh Road,		62	Hatson Ind. Estate, Kirkwall, Orkney	0856 5457
	Ipswich, IP2 1 DQ	0473 211713	63	75 St Marys Road, Market Harborough, Leics	0858 433229
24	Unit 14, Dock Road, Birkenhead, L41 1JJ	051 639 1287	64	Pinfold Rd, Manning Rd Ind. Est. Bourne, Lincs	0778 422147
25	Plas Fynnon W/house, Middleton Rd, Oswestry	0691 652917	65	Unit E19, Telford Rd, Launton Ind. Est. Bicester	0869 248598
26	Easy Launderette, Panton Hall, Denbigh, Clwyd	0745 81 3272	66	Unit C1, Bergen Cl, Tyne Tunnel Trad. Estate,	
27	19 Sirdar Rd, Off Brook Rd, Rayleigh, Essex	0268 741171		North Shields, Tyne & Wear	091 2960166
28	284 Alma Road, Enfield, EN3	081 805 6825	67	53 Sandringham Road, Northampton, NN1	0604 37061
29	Unit B4, Imperial Bus. Estate, Gravesend, Kent	0474 353771	68	96 Argyll Street, Dunoon, Argyll, PA23 7NE	0369 2147
30	Unit 8, Croft Road, Newcastle under Lyme,		69	Inverasdale, Gallow Hill Rd, Cambeltown, Argyll	0586 553753
	Staffs, ST5 0TW	0782 713003	70	Moss Field Workshop, Moss Field Drive, Oban	0631 664530
31	3-7 Blackness Street, Dundee, Scotland, DD1	0382 642828	71	2 Killweivagh, Gregory, Benbecula,	
	or Tel:	0382 455862		Outer Hebrides	0870 2331
	or Tel:	0382 826809	72	Churchouse, 16 James St, Stornaway, Isle of Lewis	0851 705555
32	33a Burnside, Auchtermuchty, Fife, Scotland	0337 28807	73	16 Faraday Mill, Cattedown, Plymouth, PL4	0752 257455
33	Unit 63, Storforth Ln Trad. Est. Chesterfield	0246 231790	74	80 Killigrew Street, Falmouth, Cornwall, TR11	0326 314600
34	93 Irish Street, Dumfries, Scotland	0387 69694	75	111 Hunnyhill, Newport, Isle of Wight	0983 523062
35	2-8 Wood Market, Kelso, Borders, TD5 7AX	0573 24411	76	Roch, Haverfordwest, Dyfed	0437 710366
36	Unit 2, Bridge Rd Bus. Centre, Bridge Road		77	Unit 16, Llambod Ind. Est., Lampeter, SA48	0570 423424
	Ashford, Kent, TN23 1BB	0233 613463	78	278 Torquay Road, Preston, Paighton	0803 529969
37	8 Cumbie Way, Aycliffe Ind. Est. Newton Aycliffe	0325 300606	79	3-4 Carlton Place, Lerwick, Shetland, ZE1	0595 2915
38	Unit 1, Boulevard Unit Fact. Est. Hull, HU3 4AY	0482 223335	80	Harlsdale, Symbister, Whalasa, Shetland	08066 546
39	Unit 2, Cromwell Road, Grimsby, DN31 2BN	0472 358760	81	London House, Victoria Str., Alderney	048182 3563

PEACE OF MIND FOR TWELVE MONTHS

Zanussi guarantee conditions

This guarantee is in addition to your statutory and other legal rights which will not be excluded or in any way diminished by the return of this guarantee card.

We, Zanussi Ltd., undertake that if, within twelve months of the date of the purchase, this ZANUSSI appliance or any part thereof is proved to be defective by reason only of faulty workmanship or materials, we will, at our option, repair or replace the same **FREE OF ANY CHARGE** for labour, materials or carriage on condition that:

- * The appliance has been correctly installed and used only on the electricity supply stated on the rating plate.
- * The appliance has been used for normal domestic purposes only, and in accordance with the manufacturer's operating and maintenance instructions.
- * The appliance has not been serviced, maintained, repaired, taken apart or tampered with by any person not authorised by us.
- * The appliance is still in the possession of the original purchaser.

All service work under this guarantee must be undertaken by a Zanussi Service Force Centre.

Home visits are made between 8.30 am and 5.30 pm Monday to Friday. Visits may be available outside these hours in which case a premium will be charged.

Any appliance or defective part replaced shall become our property.

Exclusions

This guarantee does not cover:

- * Damage or calls resulting from transportation, improper use or neglect, the replacement of any light bulbs or removable parts of glass or plastic.
- * Costs incurred for calls to put right machines improperly installed or calls to machines outside the UK and the Republic of Ireland.
- * Appliances found to be in use within a commercial or similar environment, plus those which are the subject to rental agreements.
- * Products of Zanussi manufacture which are NOT marketed by Zanussi Ltd.
- * EEC Countries - The standard guarantee is applicable but subject to the owner's responsibility and cost to ensure the appliance meets the standards set by the country to which the product is taken. The Zanussi company in the country concerned will be pleased to advise further. Sight of your purchase receipt will be required by them.

... OR FIVE YEARS

Zanussi 5 years cover conditions

For a once-only payment you can extend your Standard Guarantee to 5 years.
All the conditions and exclusions of the Standard Guarantee apply.

Note

1. Products supplied as "seconds", refurbished, damaged, or shop-soiled are not eligible for Zanussi 5 Year Cover.
2. The issue of a cover does NOT by virtue of our having done so, nullify the exclusions.
3. The Engineer will need to check the details of your Certificate and may make a charge for his services if it is not presented to him at the time of his call.
4. The date of purchase, or the date of initial payment (deposit) of the appliance will be deemed the date of commencement of cover.
5. Covers issued are not refundable or transferable.

Guarantee record

Appliance purchased from on

Guarantee card no Model no

Serial no (These details may be taken from your Guarantee Record Card)