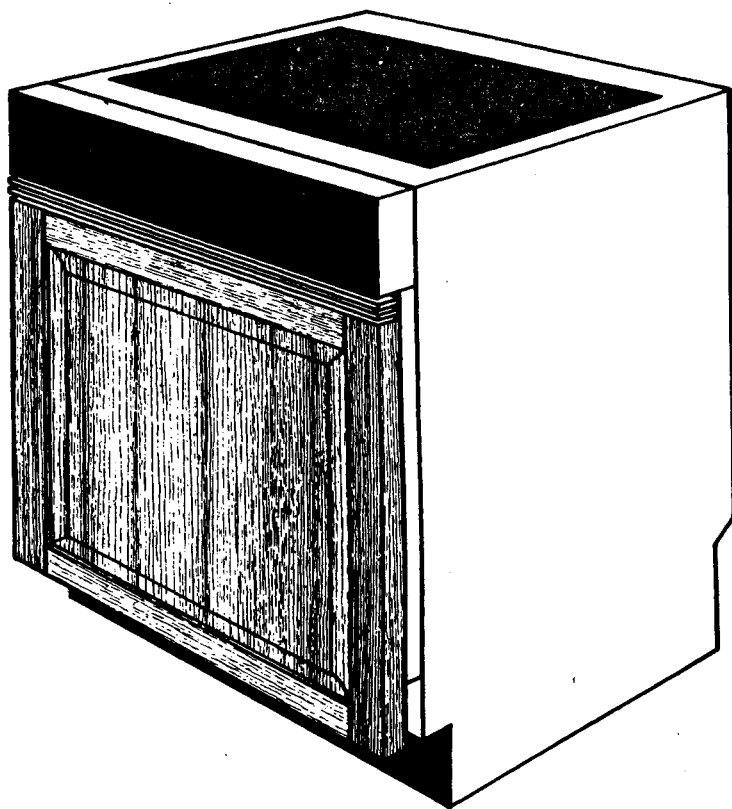

INSTRUCTIONS FOR THE USE AND CARE OF ZANUSSI DISHWASHERS



MODEL Nos DI 720 DI 104B
DI 104W

ZANUSSI
The appliance of science

It is most important that this instruction book should be retained with the appliance for future reference. Should the appliance be sold or transferred to another owner, or should you move house and leave the appliance, always ensure that the book is supplied with the appliance in order that the new owner can be acquainted with the functioning of the appliance and the relevant warnings.

Dishwasher Warnings

THESE WARNINGS ARE PROVIDED IN THE INTEREST OF SAFETY. YOU MUST READ THEM CAREFULLY BEFORE INSTALLING OR USING THE APPLIANCE.

- **Unplug the appliance and turn off the water after use.**
- **Any plumbing work to install this appliance should be carried out by a qualified plumber.**
- **Any electrical work required to install this appliance should be carried out by a qualified electrician.**
- **This appliance is designed to be operated by adults. Children should not be allowed to tamper with the controls or play with the products.**
- **This product should be serviced by an authorised Zanussi Network Service Centre, and only genuine Zanussi spare parts should be used.**
- **It is dangerous to alter the specifications or modify the product in any way.**
- **Care must be taken to ensure that the appliance does not stand on the electrical supply cable.**
- **Zanussi dishwashers are designed to be used for washing normal household utensils. Items that are contaminated by petrol, paint, steel or iron debris, corrosive, acidic or alkaline chemicals are not to be washed in a dishwasher.**
- **When finished loading or unloading close the door, as an open door can be a hazard.**
- **If your house is fitted with a water softening unit, it is not necessary to add salt to the water softening unit in the dishwasher.**
- **Do not put in your dishwasher: Cutlery with wooden or horn handles or glued parts, bronze cutlery, saucepans with wooden handles unless they are sold as dishwasher proof, aluminium ware, crystal ware, leaded glass, plastic articles unless sold as dishwasher proof, antique china or fine decorated china unless sold as dishwasher proof. Always check with the manufacturer of the item if in any doubt.**
- **A chemical reaction can occur between silver cutlery and stainless steel cutlery. As a precaution do not wash together.**
- **Under no circumstances should you open the door whilst the appliance is in operation. Always turn off the appliance before opening the door.**
- **Built-in dishwashers only: The appliance must be secured to the underside of the worktop using the brackets provided. Failure to do this could result in an unstable appliance which may cause damage or injury.**
- **Under no circumstances should you attempt to repair the appliance yourself. Repairs carried out by inexperienced persons may cause injury or more serious malfunctioning. Refer to your local Zanussi Network Service Centre. Always insist on genuine Zanussi spare parts.**

Contents

Page	3	Specifications
	5	Installation
	9	User instructions
	11	Using your machine
	14	Loading the machine
	18	Programme Selection
	19	Washing programmes
	20	Washing programmes
	21	Taking care of your machine
	23	Making the most of your machine
	24	Servicing
	26	Building-in features
	31	ZANUSSI guarantee conditions
	32	ZANUSSI 5 year cover

Please note that the specifications of your appliance may differ slightly from those shown in this leaflet.

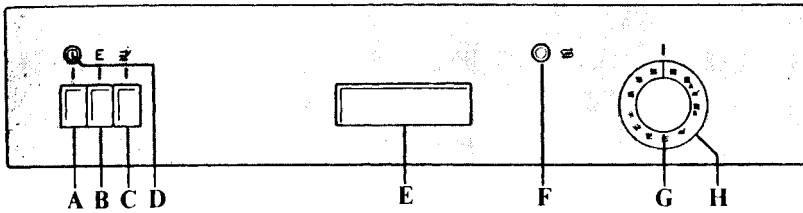
Specifications

Width	600mm 23.6"
Overall depth	570mm 22.4"
Overall depth with door open	1150mm 45.2"
Height	820mm 32.2"
Capacity (IEC place settings)	12

Supply voltage	220/240V 50Hz
Motor rating	
During washing	200W
Heater element	2570W
Maximum power absorbed	2770W

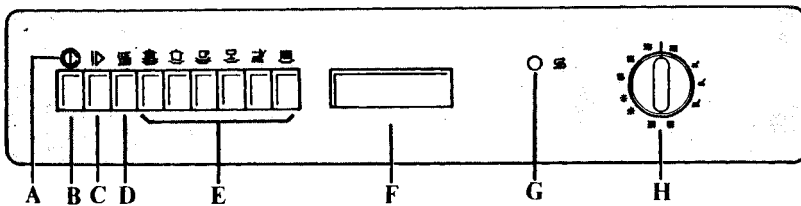
Water supply pressure	
Minimum	7psi 49KN/sq.m.
Maximum	110psi 758KN/sq.m.

Control panels



DI 720

- A - Start/Stop button
- B - Temperature selection button
- C - Quick wash button
- D - Mains on indicator
- E - Door handle
- F - Salt refill indicator
- G - Programme selector
- H - Wash cycle phase indicator



DI 104B
DI 104W

- A - Mains on indicator
- B - Start/Stop button
- C - Start control
- D - Economy drying button
- E - Wash programme buttons
- F - Door handle
- G - Salt refill indicator
- H - Wash cycle phase indicator

Please note that the external appearance of your appliance may differ slightly from that shown in the instruction book.

Installation

Positioning

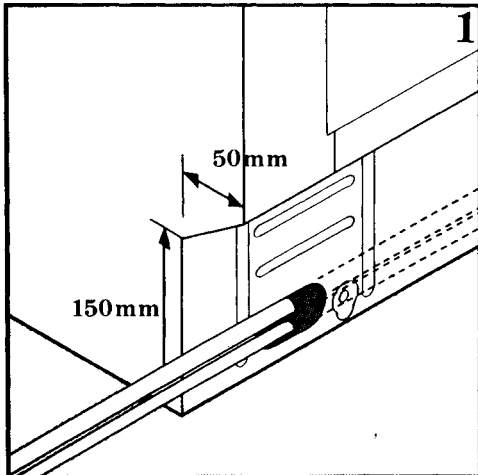
After removing the outer carton, set up the machine in the selected spot, preferably very close to water loading and draining facilities. Furthermore, the machine can be installed with the sides and back in touch with the adjacent furniture or with the wall.

The dishwasher features fill and drain hoses which can be turned either to the right or to the left (fig. 1) to suit the installation.

The machine can be installed under the kitchen counter or under the sink (see page 29).

Levelling

The machine should be accurately levelled by adjusting the levelling feet so that it be perfectly level (max. allowed error $\pm 2^\circ$). An accurate levelling is a must to ensure a correct operation of the machine.



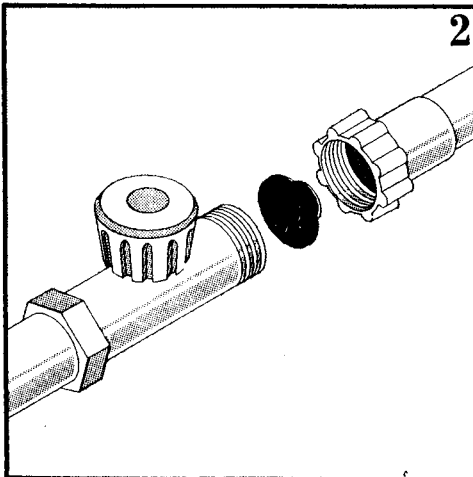
Water supply connections

This Zanussi dishwasher may be connected to either a hot or cold water supply, and for convenience, it is well worth having it permanently «plumbed in». Just make sure that the water pressure is within the limits given in the technical data, and, in the case of a hot water supply, that the temperature never exceeds 60 °C (140 °F).

Your local Water Authority will advise you on the average mains pressure in your area. Where the water is supplied via a cold water storage cistern, or hot water cylinder, you can work out the pressure yourself in both cases by measuring the vertical distance (or «head») between the machine's inlet hose, and the outlet from the cold water storage cistern; allowing roughly 1 psi for every 2 feet.

As to the making of the connection itself, the coupling nut fitted to the machine's supply hose is designed to screw onto either a 3/4 inch gas thread spout, or to a purpose made quick-coupling tap such as the Press-Block.

To make this easier, the hose itself may be turned to the right or left. In either case, be sure to incorporate the strainer supplied with the machine onto the joint (fig. 2).

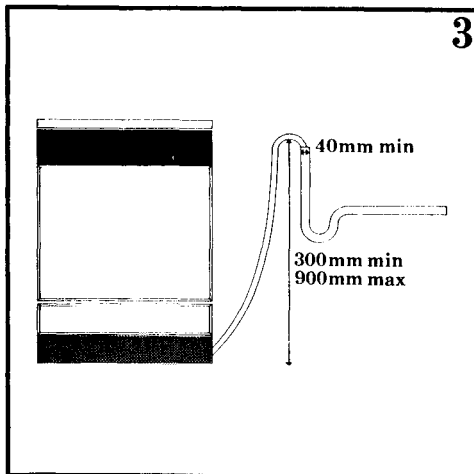


Waste connections

Care must also be taken over the disposal of the waste water from the machine. If your dishwasher is not to be permanently «plumbed in», merely hook the curved end of the drain hose firmly over the edge of the kitchen sink, having made sure that the sink is empty, and that the waste outlet is not blocked.

Otherwise, fit a P-trap and stand-pipe assembly like that in figure 3 (ensure the pipe has an internal diameter of at least 38 mm (1½ ins), and hook the drain hose into that). In this case ensure that there is an air gap between the hose and the inside of the pipe to prevent the risk of dirty water being syphoned back into the machine, and check that the top of the stand-pipe is between 300 and 900 mm above floor level. In addition, make sure that the stand-pipe/trap assembly discharges into the same soil system as the kitchen sink.

There are just two other points to bear in mind. Firstly, with the machine in its permanent position, do check that the drain hose is not kinked, or squashed in such a way as to obstruct the flow of water. Secondly, if the drain hose supplied with the machine is not long enough to reach the desired discharge point, it can be replaced with a hose of the same internal diameter, up to 2 m long (see your local Service Network or installer).



Electrical connections

WARNING: THIS APPLIANCE MUST BE EARTHED. The manufacturer declines any liability should this safety measure not be observed.

If the plug that is fitted to your appliance is not suitable for your socket outlet, it must be cut off and the appropriate plug fitted.

The cut off plug should be disposed of to prevent the hazard of electric shocks in case it should be plugged into a 13 Amp socket in another part of your home.

IMPORTANT: The wires in this mains lead are coloured in accordance with the following code:

GREEN AND YELLOW - EARTH

BLUE - NEUTRAL

BROWN - LIVE

If you fit your own plug, the colours of the wires in the mains lead of your appliance may not correspond with the markings identifying the terminals in your plug, this is what you have to do:

Connect the green and yellow (earth) wire to the terminal in the plug which is marked with the letter «E» or the earth symbol \oplus , or coloured green, or green and yellow.

Connect the blue (neutral) wire to the terminal in the plug which is marked with the letter «N» or coloured black.

Connect the brown (live) wire to the terminal which is marked with the letter «L» or coloured red.

The plug moulded on to the cord incorporates a fuse. For replacement use a 13 Amp BS 1362 fuse. Only ASTA approved fuses should be used.

The fuse cover/carrier must be replaced in the event of changing fuse.

The right fuse cover/carrier colour is the one shown by the coloured insert at the base of the plug or is the colour of the inscription at the base of the plug.

The plug must not be used if the fuse cover/carrier is lost.

A replacement cover/carrier must be obtained from Zanussi Service Agents whose addresses are listed on the attached «Zanussi Service and Spares Nationwide».

THIS APPLIANCE COMPLIES WITH E.E.C. DIRECTIVE NO. 82/499 OF 7.6.82 RELATIVE TO RADIO INTERFERENCE SUPPRESSION.

User instructions

Getting to know your machine - DI 720

Controls and How to Use Them (see diagram page 4)

A Start/Stop Button

Press to start, press to switch off.

B Water Temperature Selection Button

This allows you to select a high or low water temperature. The water will normally heat up to 65 °C which is the temperature required for energetic wash programmes (see Wash Programmes page 19). If one of the gentle programmes is required, press the button and the water will heat up to 55 °C only. Press the button to release the switch and return to normal (65 °C).

C Quick Wash Button

It allows a considerable reduction of the programme-time (see washing programmes page 19).

D Mains-on Indicator

This light will come on when the start button is pressed and the machine starts to operate. It will not go out until the switch is pressed to turn the machine off, once the dishwashing cycle has been completed.

F Salt Refill Indicator

The indicator shows when the salt container needs refilling (see page 11).

G Programme Selector Dial

This is marked with letter A-F. The programme guide helps you to decide which programme to select (see Wash Programme Chart page 19). To set the machine to the chosen programme, turn the dial clockwise until the index points exactly to the letter for the required programme.

H Wash Cycle Phase Indicator

This shows which phase the machine has reached and will help to assess how much longer the programme will take to complete and also indicates that the cycle is proceeding normally.

|||| Prewash

≡ Main wash

|||| Cold rinses

☼ Warm rinse

≡≡≡ Hot air drying

Getting to know your machine - DI 104 B - DI 104 W

Controls and How to Use it (see diagram page 4)

A Mains-on Indicator

This light will come on when the start button is pressed. It will not go out until the switch is pressed to turn the machine off, once the dishwashing cycle has been completed.

B Start/Stop Button

Press to start, press to switch off. To cancel an incorrect selection, turn the machine off by depressing the Start/Stop Button.

C Start Control

By depressing this button, the dishwasher will begin the programme selected.

D Economy Drying Button

Press this to reduce the temperature of the final rinse on all programmes from 65 °C to 55 °C. By using this button you will save electricity.

Please note that with this selection, the crockery will take longer to dry than normal.

E Wash Programme Buttons

There are six programme buttons for the six main programmes on the machine. Four extra programmes are available by depressing the Economy Drying Button (for all programmes except Rinse and Hold).

For details of each wash programme, see page 20.

G Salt Refill Indicator

The indicator shows when the salt container needs refilling (see page 11).

H Wash Cycle Phase Indicator

This shows which phase the machine has reached and will help to assess how much longer the programme will take to complete and also indicates that the cycle is proceeding normally.

|||| Prewash

≡ Main wash

|||| Cold rinses

☼ Warm rinse

»» Hot air drying

Using your machine

Open the machine by pulling the handle outwards.

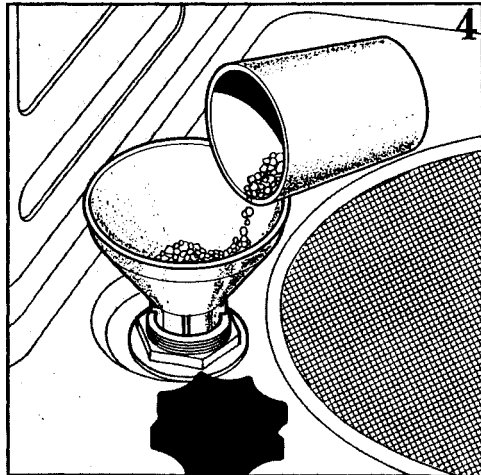
To close the door push it back until you feel it click.

Water Softening

The dishwasher has a completely automatic water softener. All you need to do is to fill the container with salt and then recharge it with more salt.

The water softener prevents limestone and mineral salts, present in water to varying degrees, depositing on crockery and forming whitish marks which make the crockery look dull.

Softened water improves the cleaning action, and after rinsing, the crockery and glass should look clean and shining.



Filling the Salt Container

Important

When the machine is new carry out one complete wash cycle before filling the salt container with salt.

To fill the container, unscrew the cap (fig. 4) and using the funnel supplied with the machine pour 1.5 Kg (3lb) coarse salt into it.

Replace the cap making sure that there is no trace of salt on the thread of the screw or on the gasket. Screw the cap on tightly.

Important

Use only coarse salt (which is often available from garden centres) or salt sold specifically for dishwashers.

Always refill the container immediately before starting a complete wash cycle, (not before Rinse and Hold) so that any salt granules or salt water which may flow out of the container (which will always have some water in it) during the refilling will not remain on the bottom of the tub without being properly diluted.

Adjusting the Water Softener

The hardness of water varies according to the area in which you live.

The harder the water the more limestone and mineral salt it contains.

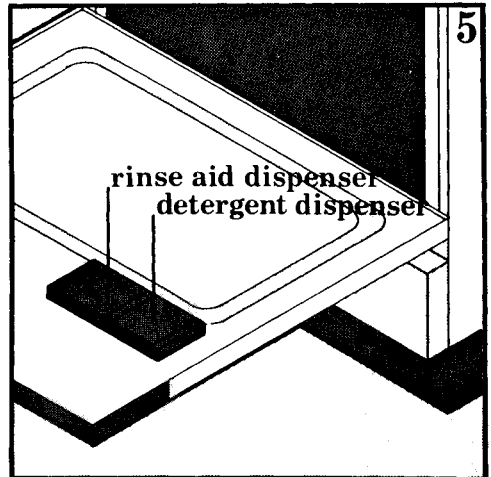
Ask your Water Board to tell you the degree of water hardness in your area. The water softener in this machine is pre-set for water having a maximum hardness of 30 °F (17 °dH). This setting is satisfactory in most areas. If however you live in an area where the water is particularly hard — exceeding 30 °F (17 °dH) you can have the softener adjusted to suit a hardness up to 50 °F (28 °dH).

If it is necessary to adjust the machine, call the Zanussi Service Network or a qualified plumber.

Rinse Aid

This special liquid is essential for good results. It ensures quick drying and shiny crockery and glass by helping the water to run smoothly off the items before the salts contained in the water can leave streaks and marks.

The rinse aid dispenser, which automatically dispenses the right amount of liquid at the right time, is located inside the door of the machine next to the detergent dispenser (see fig. 5).



To fill the dispenser press the catch A (fig. 6) to open the lid. Pour rinse aid into the funnel. The container holds approximately 150cc of rinse aid, which will last for about 70 wash cycles.

To the left of the dispenser there is an indicator which shows the level of liquid in the dispenser B (fig. 6).

Adjusting the Quantity of Rinse Aid.

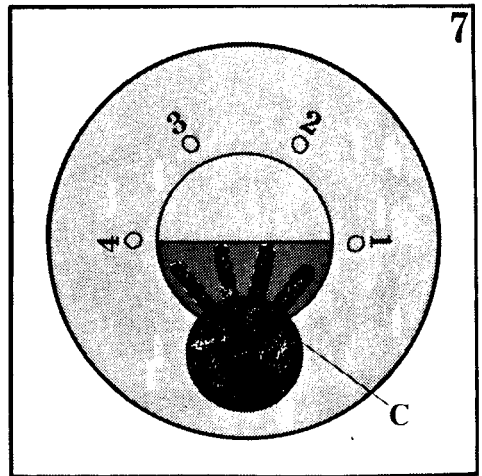
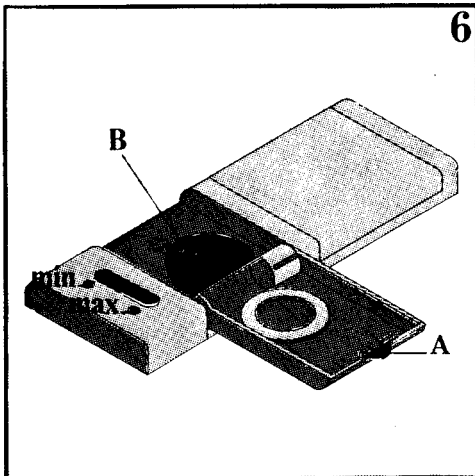
It may be necessary to adjust the quantity of rinse aid dispensed if you live in either a very hard or a very soft water district. More is needed for hard and less for soft water. Leave the dispenser in its preset position when you first use the machine and only adjust it if, after a few cycles you notice any of the following:

A

Crockery remaining dull looking and/or showing occasional round spots. If this is so increase the quantity of rinse aid by turning knob C (fig. 7) to the right.

B

Crockery feeling sticky or showing whitish spots. If this is so decrease the quantity of rinse aid, by turning knob C (fig. 7) to the left.



Loading the Machine

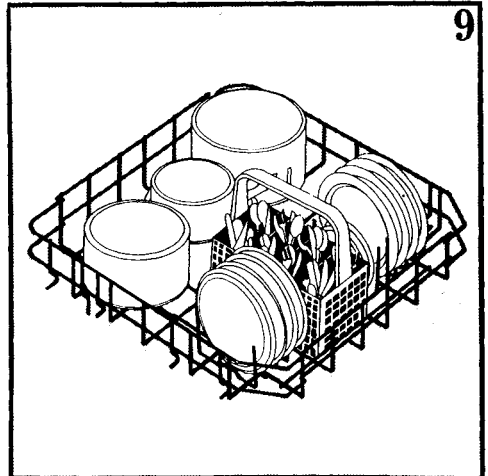
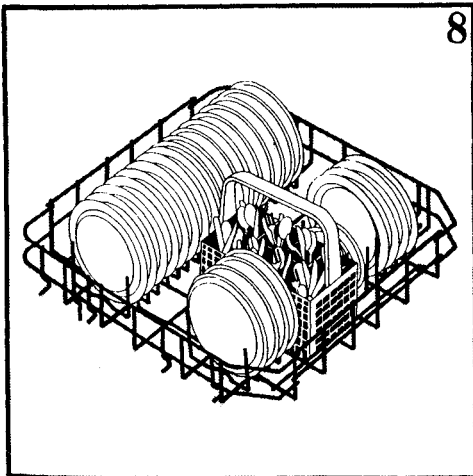
Most tableware, cutlery and cookware can be safely washed in the dishwasher. Check the list on page 23 and do not put these items in the machine. Remove bigger scraps of food from the plates and dishes; eg small bones, fish bones, scraps of meat and vegetables — in fact anything that can be scraped off easily. This will prevent the filter from clogging. There is no need to rinse the crockery before putting it in the machine.

Open the door by pulling the handle outwards.

Slide each basket out to load it.

The lower basket is designed to take dinner plates (up to 27 cm — 10.6 ins — diameter), serving dishes, cooking bowls, pots, pans and cutlery. Cutlery should be put in the removable cutlery basket.

Mix spoons with knives and forks so that they will not stick together and prevent the jets of water cleaning them properly. Unless your cutlery has very thin handles, put it in the basket with the handles downwards. If the handles are so thin that they stick through the bottom of the basket, load them with the handles upwards. The two diagrams (fig. 8 and 9) show how items can be arranged in the bottom basket.

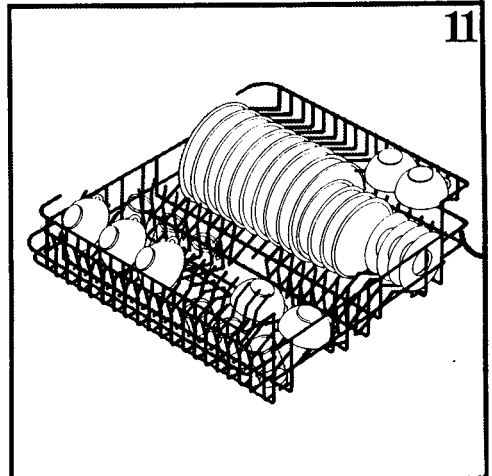
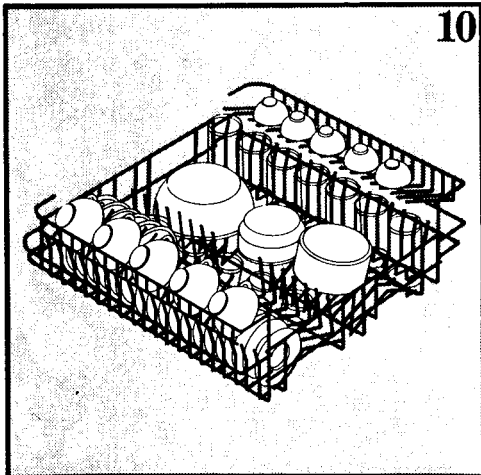


The top basket is designed to take dessert plates, tea plates, saucers, soup plates (up to 24 cm – 9.4 ins – diameter), serving dishes, cups, mugs and glasses. The two diagrams (fig. 10 and 11) show how items can be arranged in the top basket.

Important

Be absolutely sure not to load the crockery in such a way that it obstructs the water inlet funnel at the centre of the basket.

After loading make sure that the spray arm can turn freely.

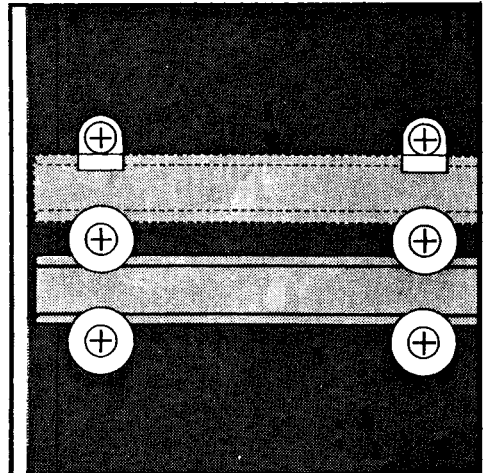
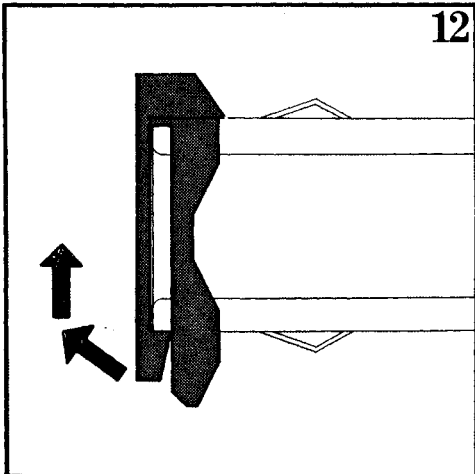


Raising and Lowering the Top Basket

If you have plates over 27 cm (10.6 ins) diameter and up to 31 cm (12.2 ins) the top basket must be raised to a higher position to accommodate them. The large plates can then be stacked in the lower basket. To do this take the front runner stops off the top basket (see fig. 12) and remove the basket. Then take off the rear runner stops, pull out the slides and refit them in a higher position (see fig. 13). Replace the rear runners stops, then the basket and finally the front runner stops.

Note

When the top basket is in the higher position, it will only take plates up to 19 cm (7.5 ins) diameter and you will not be able to use the raised cup section.



Choosing the Right Detergent

Use only top quality detergent specially made for dishwasher.

Filling with Detergent

Add the detergent after loading the machine. To do this open the detergent compartment on the inside of the door by pushing back the lid catch E (fig. 14). Pour the detergent into the compartment. Close the lid firmly. The detergent will be automatically dispensed at the right time.

Quantity of Detergent

This depends on the brand you use, on the degree of soil and the type of load.

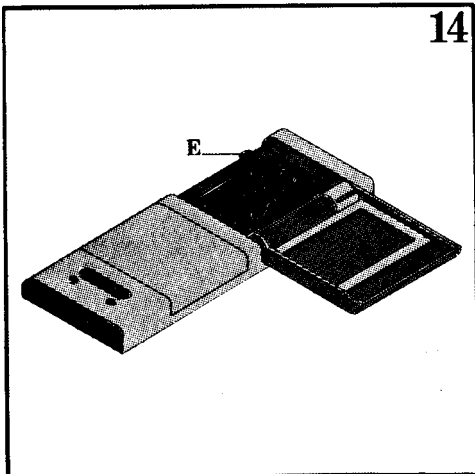
Follow the directions on the powder packet.

As a guide use:

4 tsps (25g) for normal loads

5 tsps (30g) for heavily soiled load.

If you don't use enough powder the results will be poor, on the other hand too much powder will not improve results and will just be wasted. You will soon find out the right amount to add after using the machine for a few days.



Programme Selection

The charts on pages 19-20 give details of the programmes which your machine is designed to carry out. You will soon discover which programmes suit your type of washing up.

If you half load the machine and want to make up a full load later in the day after another meal, use the rinse and hold programme.

Starting the Machine

Turn on the water tap or taps which supply the machine. Make sure that the machine is plugged into the electric socket and that the switch (if any) is on. Close the door of the machine firmly after loading it and adding the detergent.

On model DI 720

Turn the programme selector knob clockwise until the index points exactly to the required programme letter.

If required, press the water temperature selection button and the Quick wash button.

On models DI 104 B - DI 104 W

Depress the required wash programme button (E).

Depress the economy drying button (D), if so required.

Depress the START/STOP button (B).

Depress the Start control (C).

At this point the machine starts operating.

Note

It is important to press these buttons, if required, in the order shown on the wash cycle charts. The start button must always be pressed last (see wash programmes on pages 19-20).

Stopping the Machine

The machine will stop automatically at the end of the wash cycle but the pilot light will remain on until the Start/Stop Button is pressed.

To stop the machine during a wash cycle, press the Start/Stop Button.

To restart the machine press the Start/Stop Button again and the wash cycle will resume where it was interrupted.

At the end of the wash cycle, press the Start/Stop Button, turn off the water supply, switch off the electricity and unplug the machine.



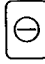








Warning

Do not open the door while the machine is working. There is a safety device incorporated which automatically stops the machine if it is opened accidentally.

Do not change programme while the machine is operating.







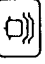












To cancel a wash cycle being carried out, you should turn off the machine and select programme Rinse & Hold and switch the machine on again. After a short while the machine will stop and the correct programme can then be selected.

Washing programmes - DI720

Programme	Type of load and degree of soil	Recommended programme	Recommended knob setting	Programme Required push-button	Cycle description
1	Extremely soiled crockery, pots, pans and cutlery	Energetic with prewash	A		Cold prewash / Extended main wash up to 65°C / 2 cold rinses / 1 hot rinse / hot air drying
2	Normally soiled crockery, pots, pans and cutlery, with a normal quantity of food scraps	Universal with prewash	B		Cold prewash / Main wash up to 65°C / 2 cold rinses / 1 hot rinse / hot air drying
3	Normally soiled crockery, pots, pans and cutlery, with a reduced quantity of food scraps	Universal no prewash	C		Main wash up to 65°C / 2 cold rinses / 1 hot rinse / hot air drying
4	Lightly soiled crockery, pots and cutlery	Economy with prewash	A	 	Cold prewash / Extended main wash up to 55°C / 2 cold rinses / 1 hot rinse / hot air drying
5	Lightly soiled dishes and glasses with delicate decorations	Gentle no prewash	C	 	Main wash up to 55°C / 2 cold rinses / 1 hot rinse / hot air drying
6*	Lightly soiled crockery	Quick wash	D	  	Main wash up to 55°C / 2 cold rinses
7	Partial load (to be completed later in the day)	Rinse & hold	F		Cold rinse to prevent food scraps from drying up and sticking to the dishes

* Note: This is a special programme to wash in a short time (approx. 28 minutes) a full load of lightly soiled dishes, glasses and crockery (except pots) so that you may re-use them promptly. Due to the shortness of this programme, no drying phase is provided.

Washing programmes - DI104B - DI104W

Programme	Type of load and degree of soil	Recommended programme	Buttons to be depressed	Cycle description
1	Extremely soiled crockery, pots, pans and cutlery	Energetic with prewash	  	Cold prewash / Extended main wash up to 65°C / 2 cold rinses / 1 hot rinse / hot air drying
2	Very soiled crockery, pots, pans and cutlery	Universal no prewash	  	Main wash up to 65°C / 2 cold rinses / 1 hot rinse / hot air drying
3	Normally soiled crockery, pots, pans and cutlery	Economy with prewash	  	Cold prewash / Main wash up to 65°C / 2 cold rinses / 1 hot rinse / hot air drying
4	Lightly soiled crockery, pots and cutlery	Gentle no prewash	  	Main wash up to 55°C / 2 cold rinses / 1 hot rinse / hot air drying
5	Lightly soiled crockery	Quick wash	  	Main wash up to 55°C / 2 cold rinses
6	Partial load (to be completed later in the day)	Rinse & hold	  	Cold rinse to prevent food scraps from drying up and sticking to the dishes
	Economy drying			If required, depress after selecting wash cycle

Note: This is a special programme to wash in a short time (approx. 28 minutes) a full load of lightly soiled dishes, glasses and crockery (except pots) so that you may re-use them promptly. Due to the shortness of this programme, no drying phase is provided.

Taking Care of Your Machine

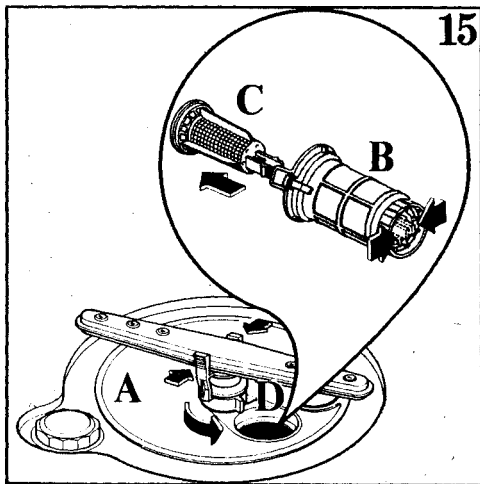
Important

Make sure that the machine is unplugged and the water turned off before undertaking any kind of maintenance.

Please note, when moving house make sure that the machine is not tilted too much during transport.

General Cleaning

Inspect the filters and spray arm nozzles before re-loading the machine and remove any food scraps. Wipe round the rubber gasket at the bottom of the door to remove grease which tends to collect there.



Cleaning the Filters

It is essential to clean the filter system regularly. It can easily get clogged with scraps of food which will cause the machine to work inefficiently.

There are three filters (see fig. 15 below), one large circular fin-mesh filter (A) and two small cone-shaped ones (B & C).

Inspect, and if necessary clean, the cone shaped filters (C fits inside B) after each wash cycle. Remove them both by turning the outer one (B) clockwise until it disengages or simply by lifting it up according to the model. Then remove the inner one (C) by squeezing the two plastic tongues at the bottom of the outer filter (B). Remove any food scraps and clean thoroughly with a stiff saucepan brush and hot sudsy water.

The large fine mesh filter (A) should be thoroughly cleaned about every two months. To remove the filter (A), first take off the bottom spray arm by releasing the securing catches and lifting it up. Unlock the base of the spray arm (D) (fig. 15) and then lift out the filter.

Clean it with a stiff saucepan brush and hot sudsy water. Replace the filters and the spray arm making sure that all the parts are securely in position.

Important

Never use the dishwasher unless the filters and spray arm are firmly in the correct position.

Cleaning the Spray Arm Nozzles

The holes in the spray arm nozzles must be kept free of scraps for the efficiency of the washing action. Inspect the spray arms regularly. When thorough cleaning is necessary remove the bottom spray arm by releasing it from its securing catches and pulling it out (see fig. 16).

Wash the spray arm in hot sudsy water, using a stiff saucepan brush if necessary to remove scraps. Reassemble carefully, making sure the catches are secure.

To clean the top spray arm and nozzles, slide out the top basket, then take off the top of the nozzle (A) by releasing the side catches, then unscrew the ring nut (B) (see fig. 16). Remove and wash the parts as above.

Reassemble the parts carefully.

Cleaning the Cabinet

Wipe the outside of the cabinet and control panel regularly with a soft damp cloth. When necessary use a liquid kitchen or household cleaner to remove bad marks, rinse with a damp cloth and rub up with a soft duster. Never use abrasive cleaners which could damage the surface.

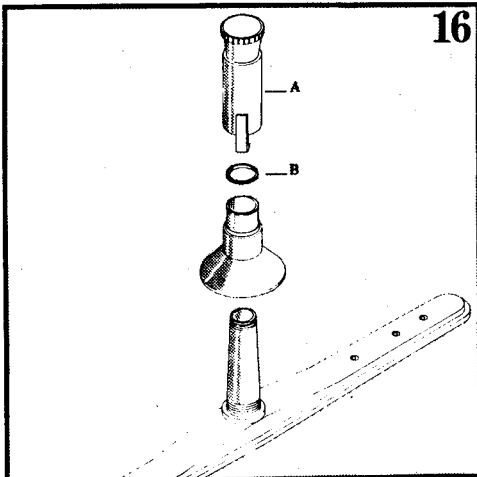
If the machine is not going to be used for some time take the following precautions:

Unplug the machine and turn off the water supply.

Fill up the rinse aid container.

Make sure that the tub is clean by carrying out the Rinse and Hold programme and then dry the inside thoroughly.

Leave the door ajar.



Making the most of your Machine

- Be careful always to load the racks correctly.
- It is more economical and efficient to wash a full load of crockery etc than a half one, even if you only have to do this once a day.
- Load the baskets immediately after clearing the table. If the crocks etc are greasy and there are not enough to justify doing a full cycle, set the machine to do the Rinse and Hold programme.
- Once the machine is full, select the correct programme and wash a load.
- If you have to buy more crockery, pots and pans check that they are «dishwasher proof». This will be marked on the crockery, on the packing material, or in the brochure or leaflet. If in doubt ask the retailer.
- Silver tableware and cutlery can be washed safely in the dishwasher but make sure it is not touching any stainless steel items. If it is, there could be a chemical reaction between the two metals caused by the oxidising effect of soapy water resulting in spots on the silver.
As a precaution never put silver and stainless steel in the same basket.
- Saucepans and casseroles with burnt on food should be soaked before you put them in the machine and the worst of the soil should be removed as it soaks off.
- Saucepans and casseroles free of burnt on food can be machine washed very satisfactorily.

Do Not Put the Following in Your Dishwasher

- Cutlery with wooden or horn handles or glued parts.
- Saucepans with wooden handles unless they are sold as dishwasher proof.
- Aluminium ware.
- Crystal ware.
- Plastic articles unless they are sold as dishwasher proof - if you do not know don't risk it as the plastic may soften and the article will be distorted and spoiled.
- Fine decorated and antique china. Most modern china has what is known as underglaze decoration and this is usually dishwasher proof but you should always check. Old china and some modern fine china has overglaze decorations which can wash off in a dishwasher so don't take risks if you have not got the manufacturer's assurance.

Servicing

If, having followed these instructions carefully, your machine fails to work properly, contact your local Zanussi Service Network. Before you do that, though, it is worth making a few simple checks yourself.

If the machine won't start...

- Make sure the appliance is properly plugged in and that the socket switch is in the «on» position.
- Check that there is power in the socket, by plugging in an appliance which you know to be working - a small lamp for example. If this too fails to work, check the main circuit fuses in your home's consumer unit or the main fuse box.
- Make sure the water tap is fully open.
- Check that the door is firmly shut.
- Check that you have set the programme selector knob correctly and pressed the start button.

If the machine won't fill...

- Make sure taps and stop cocks are turned on.
- Make sure the supply hose/hoses are not sharply bent.

If the machine won't drain...

- Check that the drain hose is not bent, blocked, or obstructed in any other way.
- Make sure that the filter is not clogged.

If the crockery does not come out clean...

- Make sure that you are using a detergent specially made for dishwashers.
- Make sure that you are using enough detergent.
- Check that you have loaded the crockery etc correctly.
- Check that the spray arms are able to turn freely and that the nozzles are not blocked or obstructed.
- Make sure that the filter is clean.

If you find the crockery streaked with lime deposits...

- Check that there is enough salt in the container.
- Check that there is enough rinse aid in the container.
- Make sure that the quantity of rinse aid being dispensed is sufficient (see page 13).

If you find traces of tea and coffee or lipstick left on the crockery...

- Make sure you are using enough detergent.

If you think that the crockery or cutlery has a salty taste...

- Make sure that the cap of the salt container is tightly screwed down.

If the machine vibrates badly or is too noisy...

- Check that the machine is absolutely level.
- Check that there is sufficient clearance between the machine and nearby walls, cabinets etc.
- Check that all the internal packing, plastic spacers, and transit security bolts have been removed.

FAILURE TO OBSERVE THESE CHECKS COULD RESULT IN YOUR BEING CHARGED FOR THE SERVICE CALL WHEN REQUESTED.

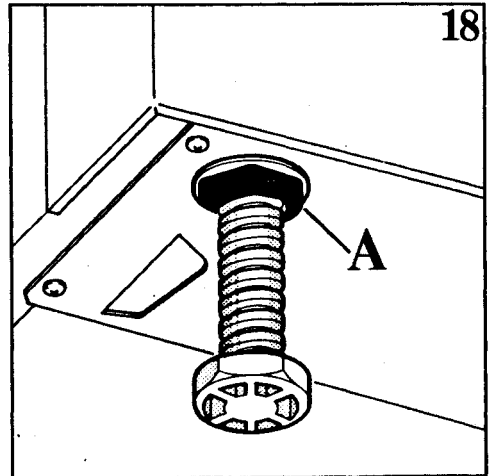
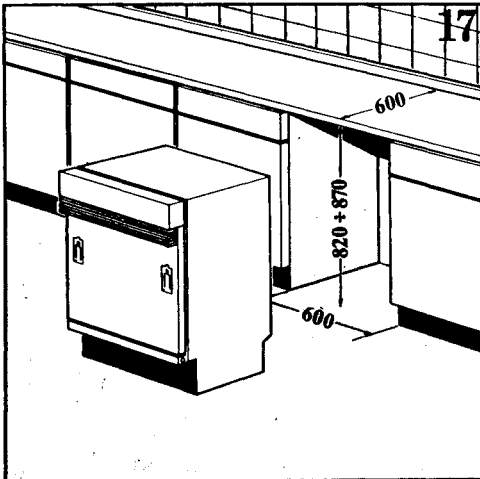
Building-in Features

This dishwasher is designed to be fitted under a kitchen counter or sink, alternatively to be completed with a specially made work-top. In either case, it is essential that the recess dimensions indicated in Fig. 17 are followed. The recess ceiling may be anywhere between 820 and 870 mm from the floor inasmuch as the dishwasher incorporates levelling feet adjustable over a wide range.

To adjust the machine to the maximum height, unscrew and remove the feet. Then screw on the enclosed screw nuts «A» and refit the feet (fig. 18). Adjust the height and tighten the screw nuts.

No special openings or systems are required to permit ventilation of the machine, but only to let the electric supply cable and the water fill and drain hoses through.

When building the machine into a kitchen unit, make sure that these water fill and drain hoses are not bent or kinked. The back of the machine may rest directly against the rear wall of the recess.



Important:

When the dishwasher is secured to the kitchen cabinets, be sure not to drill any holes into the sides of the machine to avoid damaging the hydraulic components located between the wash tub and the cabinet.

To connect the machine to the electricity and water supply, be sure to follow the rules and regulations detailed in this operator's handbook.

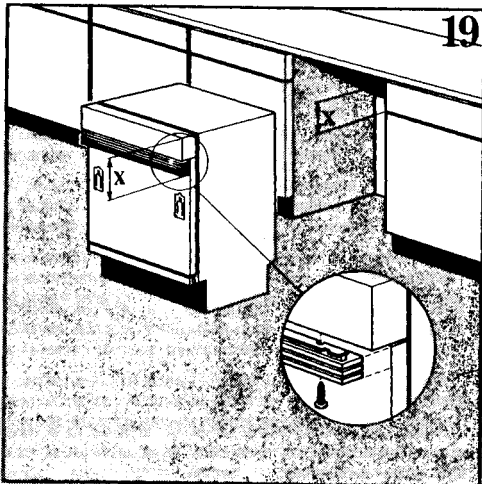
It is absolutely essential that the appliance is disconnected from the electricity supply before gaining access to any internal component.

Fitting the decorative panel to the door

The dishwasher door is designed to permit installation of a decorative wooden panel having a thickness of 2 cms.

Preparing the panel

Determine the height of the control board depending on the height of the drawers of the adjacent kitchen cabinets and, if this height is to be more than 120 mm, add one or two of the supplementary wooden strips (Fig. 19).



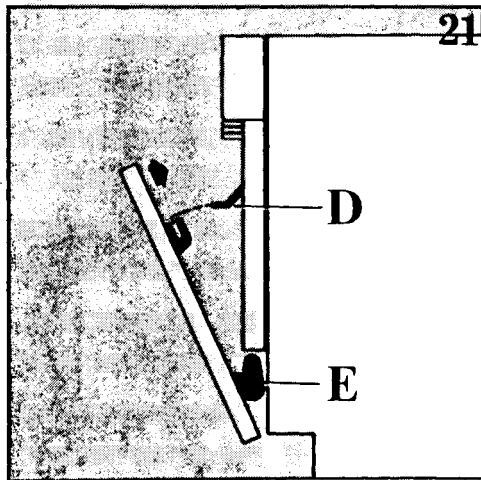
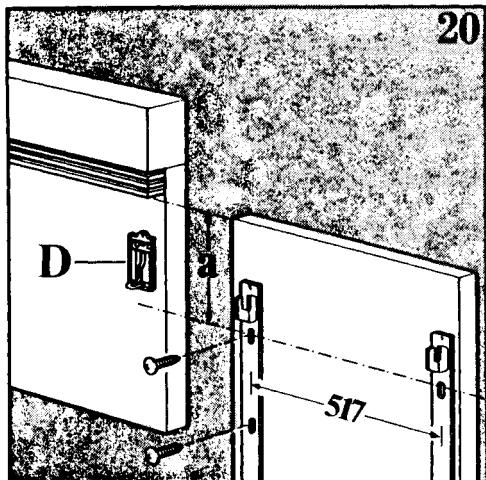
Measure distance «a» between control board and the reference notch on the door (Fig. 20).

Fix the supporting transoms to the panel, keeping the same distance «a» between the upper edge of the panel itself and the reference notch on the supporting transom (Fig. 20). The center distance between the tub transoms is 517 mm. It is advisable to first fix the transoms by means of flathead screws through the slot holes only, and then to make a trial fitting of the panel onto the door.

Installing the panel on the door

Install the panel by engaging the bottom pins first (E), and then insert the top hooks of the transoms into the hooks of the door (D) as shown in Fig. 21. Open the dishwasher door and check that during its rotation the decorative panel does not interfere with the control board. In case of interference, increase the gap between the control board and the decorative panel by unscrewing the hooks on the door (D).

As soon as the correct position has been found, remove the decorative panel from the dishwasher door, screw the supporting transoms tight and then reinstall the panel by going through the previously described steps.



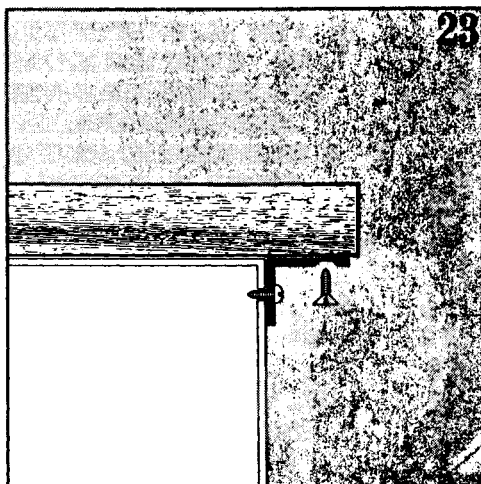
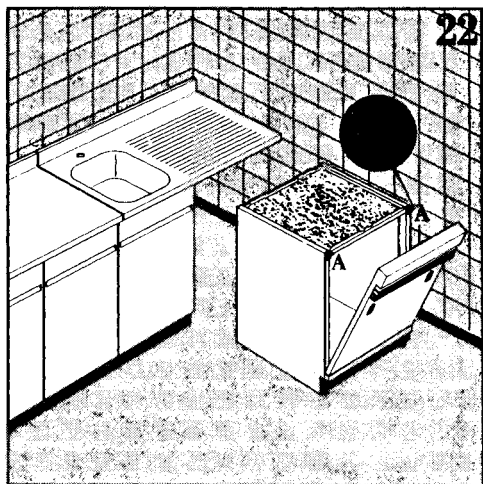
Fitting and securing under a counter (kitchen sink or counter)

To fit the dishwasher under a kitchen sink proceed as follows:

insert the appliance under the sink after correctly adjusting its height and levelling it as required by means of its adjustable levelling feet;

secure the mounting brackets (A - fig. 22) to the front part of the dishwasher and sink by means of screws.

In case of fitting under a kitchen counter, the two front mounting brackets must be secured to the counter work-top as shown in Fig. 23.



Adjusting the door balance

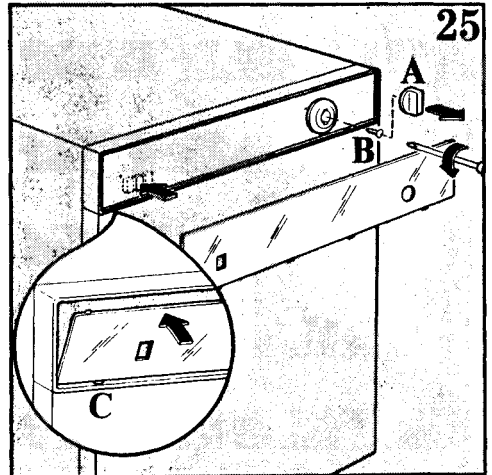
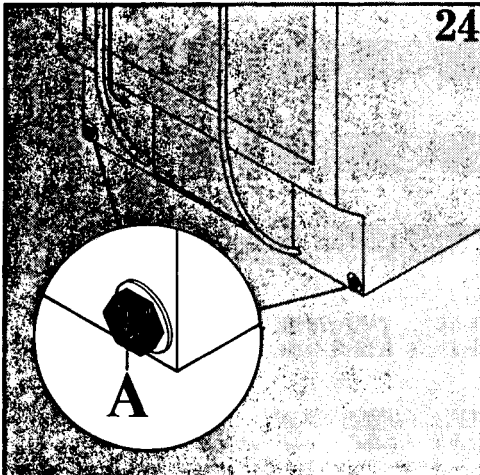
Fitting the decor panel may sometimes affect the door balance due to the different load placed on the same. In this case it will be necessary to adjust the balance by regulating the appropriate nuts «A» provided on the back of the machine near the rear feet. By screwing or unscrewing these nuts the tension of the door balancing springs is increased or decreased respectively (fig. 24).

Programme plate assembly

(See fig. 25)

The programme plate is fastened to the control panel as follows:

1. Remove knob «A» from the programme selector.
2. Remove screw «B» fastening the knob body to the programme selector spindle.
3. Depress pushbuttons.
4. Position the programme plate on the control panel taking care to introduce tags «C» into corresponding slots provided on the control panel. To lock them in position press the programme plate against the control panel.
5. Refit the knob assembly.



Peace of mind for twelve months

ZANUSSI STANDARD GUARANTEE CONDITIONS

This guarantee is in addition to your statutory and other legal rights which will not be excluded or in any way diminished by the return of this guarantee card.

We, Zanussi Limited, undertake that if, within twelve months (36 months for TV sets) of the date of the purchase, this ZANUSSI appliance or any part thereof is proved to be defective by reason only of faulty workmanship or materials, we will, at our option, repair or replace the same **FREE OF ANY CHARGE** for labour, materials or carriage on condition that:

The appliance has been correctly installed and used only on the electricity supply stated on the rating plate.

- The appliance has been used for normal domestic purposes only, and in accordance with the manufacturer's operating and maintenance instructions.
- The appliance has not been serviced, maintained, repaired, taken apart or tampered with by any person not authorised by us.
- The appliance is still in the possession of the original purchaser.

All service work under this guarantee must be undertaken by a Zanussi Network Service Centre (or the Zanussi Authorised TV Service Dealer).

Any appliance or defective part replaced shall become our property.

Exclusions

This guarantee does not cover:

- Damage or calls resulting from transportation, improper use or neglect, the replacement of any light bulbs or removable parts of glass or plastic.
- Costs incurred for calls to put right machines improperly installed or calls to machines outside the UK and the Republic of Ireland.
- Appliances found to be in use within a commercial environment, plus those which are the subject of rental agreements.
- Television receivers-routine adjustment, or poor reception resulting from a source outside of the receiver.

or five years

ZANUSSI 5 YEAR COVER CONDITIONS

For a once-only payment you can extend your Standard Guarantee to 5 years. All the conditions and exclusions of the Standard Guarantee apply.

Notes

1. Products supplied as «seconds», refurbished, damaged or shop-soiled are not eligible for Zanussi 5 Year Cover.

2. The issue of a cover does NOT by virtue of our having done so, nullify the exclusions.

3. The Engineer will need to check the details of your Cover card and may make a charge for his services if it is not presented to him at the time of his call.

4. The date of purchase, or the date of initial payment (deposit) of the appliance will be deemed the date of commencement of cover.

5. Covers issued are not refundable or transferable.

Guarantee Record

Appliance purchased from _____ on _____

Guarantee card no _____ Model no _____

Serial no _____ (These details may be taken from your
Your name _____ Guarantee Record Card)

Address _____



ZANUSSI

The appliance of science

Zanussi Limited, Zanussi House, Hambridge Road, Newbury

The information in this manual is correct at time of going to press.

Zanussi reserve the right to alter specifications without notice.