

RANGE COMPOSITION

The STANDARD RT 110B range consists of 4 electric models with one wash tank and one speed with right or left-hand loading and a maximum capacity of 100 baskets per hour.



531321

STANDARD RT 110B

RACK TYPE DISHWASHERS **ZANUSSI** PROFESSIONAL

FUNCTIONAL AND CONSTRUCTION FEATURES

- ◆ Wash tank in 316 AISI stainless steel with rounded corners, internal and external surfaces in 304 AISI stainless steel. Wash arms and jets in 304 AISI stainless steel to ensure an excellent and reliable performance. The double-skinned counter-balanced inspection doors guarantee solidity and strength.
- ◆ Wash Zone: all the soil is removed by the combination of the mechanical washing action that directs water at the washware by means of a powerful 700 litres/minute pump and the thermal action of the heating elements that guarantee a constant water temperature of between 55° and 65°C and to which the appropriate detergents are added.
- ◆ Rinse Zone: clean water is used to eliminate any trace of detergent from the washware. There is a temperature control device in the boiler that guarantees the sanitization of the washware at a temperature of no less than 85°C.
- ◆ Ease of Cleaning and Maintenance: manually removable wash arms and tank filters without the use of tools; water and electrical connections are positioned centrally on the front side of the machine to allow installation directly against a wall.

TECHNICAL DATA				
CHARACTERISTICS	MODELS			
	RT110BED 531320	RT110BED6 531310	RT110BES 531321	RT110BES6 531311
Power supply	Electric	Electric	Electric	Electric
Feeding direction	from RH to LH	from RH to LH	from LH to RH	from LH to RH
N° of speeds	1	1	1	1
Capacity dishes/h	1800	1800	1800	1800
Air emission - m³/h	500	500	500	500
Air temperature - °C	60 - 65	60 - 65	60 - 65	60 - 65
External dimensions - mm				
width	2150	2150	2150	2150
depth	870	870	870	870
height/with open door	1744, 2050	1744, 2050	1744, 2050	1744, 2050
1st wash				
temperature - °C	55-65	55-65	55-65	55-65
tank capacity - lt.	114	114	114	114
pump power - kW	2.55	2.55	2.55	2.55
Rinsing				
temperature - °C	80-90	80-90	80-90	80-90
boiler capacity - lt.	15	15	15	15
boiler power - kW	16.5	16.5	16.5	16.5
Power - kW				
installed-electric	36.8	36.8	36.8	36.8
Noise level - dBA	70	70	70	70
Net weight - kg.	270	270	270	270
Supply voltage	400 V, 3N, 50	400 V, 3N, 60	400 V, 3N, 50	400 V, 3N, 60

RACK TYPE DISHWASHERS

STANDARD RT 110B

◆ Maximum Operator Safety: the machine is completely automated and stops if the doors are accidentally or deliberately opened, there are no baskets in the machine, the wash pump malfunctions or the electric elements overheat.

◆ STANDARD RT 110B dishwashers are equipped with: a Hot Air Blower (600 mm in length, 1000 m³ h, 9 kW).

◆ STANDARD RT 110B dishwashers can be equipped with: a Rinse Booster pump to increase rinse water pressure and Side Wash Arms, as well as a vast range of baskets 500 x 500 mm to suit any requirement.

◆ The STANDARD RT 110B dishwashers can be connected to specific pre-wash tabling, entry and exit service tabling, roller conveyor tabling and conveyor belts.

◆ All models comply with the standards required by the main international approval bodies (VDE & DVGW) and are **CE** marked.

* Declared actual cycle duration times can extend when water supply temperature is lower than indicated

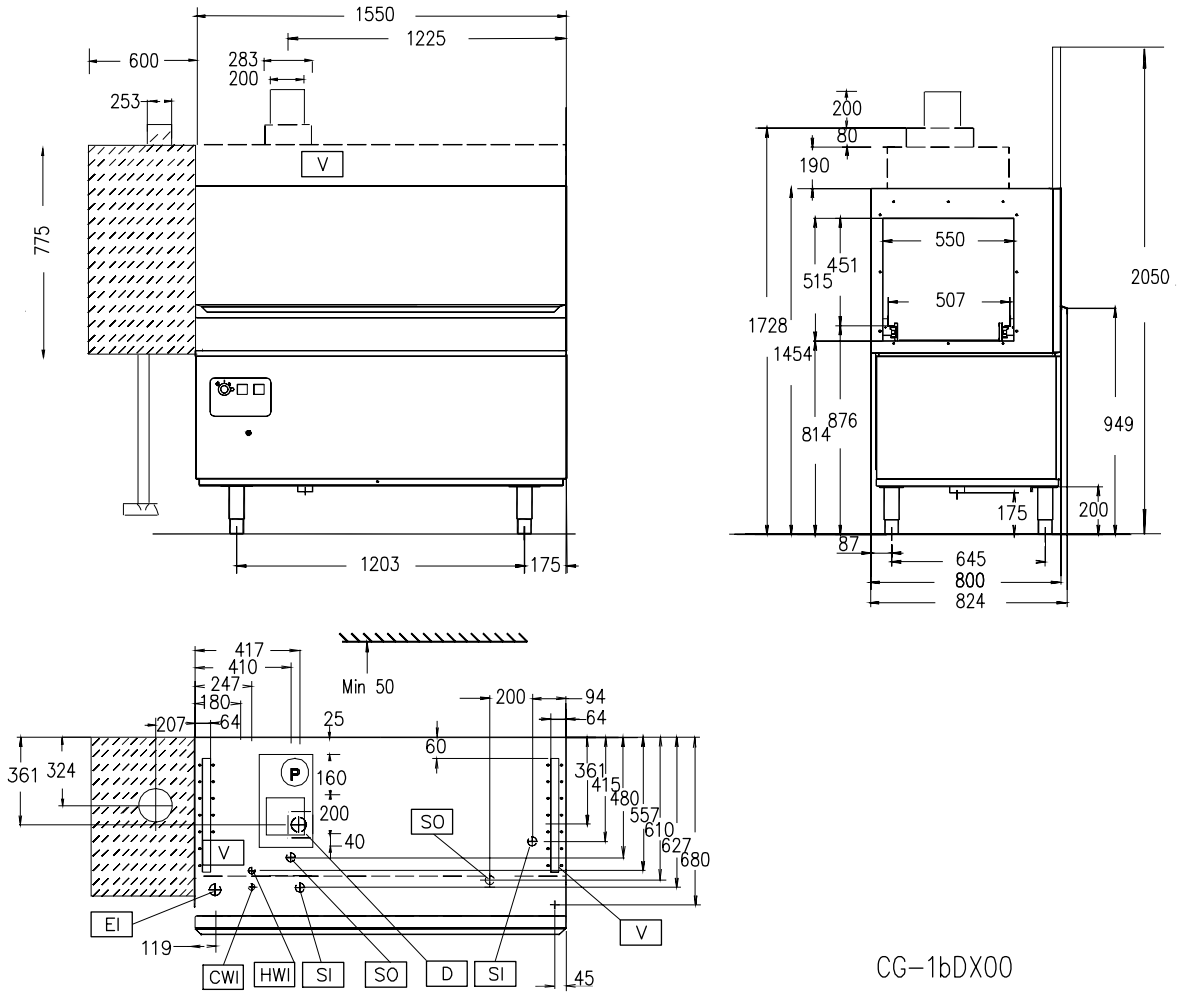
* Installation is recommended below a dishwashing hood to convey steam.

Installation diagram: P - Fumes outlet.

OPTIONAL ACCESSORIES				
ACCESSORIES	MODELS			
	RT110BED 531320	RT110BED6 531310	RT110BES 531321	RT110BES6 531311
BASKET FOR 12 SOUP BOWLS 240MM-GREEN	867000	867000	867000	867000
BASKET FOR 18 DINNER PLATES 240MM-YELLOW	867002	867002	867002	867002
BASKET FOR 5 HALF INSULATED TRAYS-RED	867005	867005	867005	867005
BASKET FOR BULK CUTLERY-BROWN	867009	867009	867009	867009
BASKET WITH 16 CUTLERY BOXES-BLUE	867010	867010	867010	867010
COVER GRID FOR SMALL/LIGHT ITEMS IN RACK	867016	867016	867016	867016
KIT 6 BASKETS FOR 1-TANK RACK TYPE DW	867050	867050	867050	867050
KIT 9 BASKETS FOR 1-TANK RACK TYPE DW	867051	867051	867051	867051
KIT PRESSURE BOOSTER FOR RINSING WATER	864052	864052	864052	864052
SIDE PRE-WASH AND WASH ARMS	864053	864053	864053	864053



www.zanussiprofessional.com

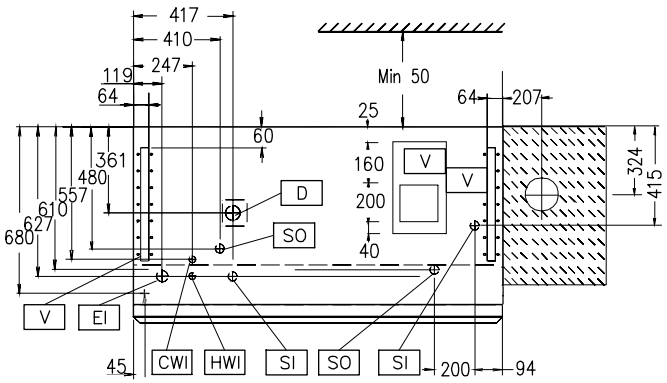
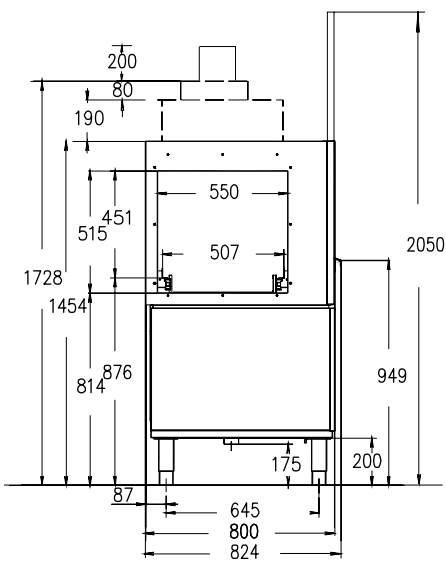
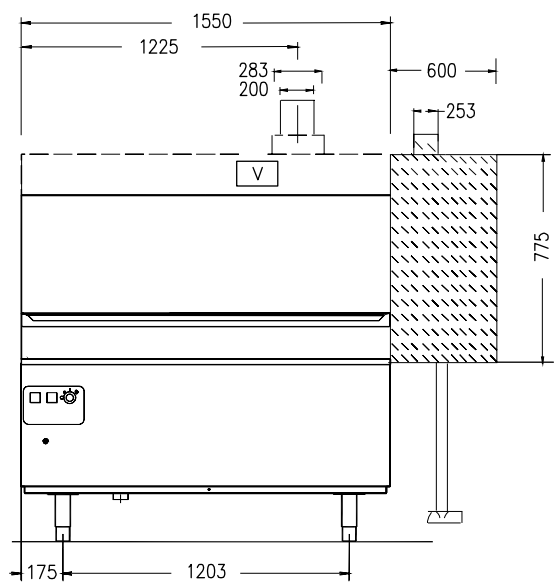


LEGEND

	RT110BED 531320	RT110BED6 531310
CWI - Cold water inlet	G 3/4"	G 3/4"
D - Water drain	50mm	50mm
EI - Electrical connection	400 V, 3N, 50	400 V, 3N, 60
HWI - Hot water inlet	G 3/4"	G 3/4"
V - Condensation outlet	●	●



www.zanussiprofessional.com



CG-1bSX00

LEGEND

	RT110BES 531321	RT110BES6 531311
CWI - Cold water inlet	G 3/4"	G 3/4"
D - Water drain	50mm	50mm
EI - Electrical connection	400 V, 3N, 50	400 V, 3N, 60
HWI - Hot water inlet	G 3/4"	G 3/4"
V - Condensation outlet	●	●



www.zanussiprofessional.com