

## RANGE COMPOSITION

The range consists of 5 models, offering the possibility to wash plates, trays, cutlery, glasses and cups and have a capacity of 1200 plates per hour (67 baskets/hour):  
 504241 - single skin hood & 4 cycles  
 504242 - single skin hood & 4 cycles, 60 Hz  
 504243 - insulated hood & 4 cycles  
 504238 - insulated hood, detergent dispenser & 4 cycles  
 504240 - insulated automatic hood & 4 cycles



504241

## TOP VERSION

## HOOD TYPE DISHWASHERS **ZANUSSI** PROFESSIONAL

### FUNCTIONAL AND CONSTRUCTION FEATURES

- ◆ All models are ACTIVE and feature the Guaranteed Rinse System. The rinsing is always at a temperature of 84°C throughout the rinse cycle thus guaranteeing rinse quality of the tableware in line with current international standards. The atmospheric boiler guarantees a high constant rinse temperature independent from the network water pressure (with a minimum of 0.5 bar).
- ◆ 4 second (variable) pause after washing and before rinsing ensures that no drops of unclean water will fall on the clean items at the end of the rinsing cycle.
- ◆ 4 different dishwashing cycles: glass and lightly soiled items (1st cycle of 54 seconds), standard soiled items (2nd cycle of 90 seconds), heavy soiled items (3rd cycle of 150 seconds) and the continuous program.
- ◆ Simple control panel with digital thermometers, indicating both wash & rinse temperatures.
- ◆ Fault auto-diagnosis system.

\* Declared actual cycle duration times can extend when water supply temperature is lower than indicated.

TECHNICAL DATA CHARACTERISTICS	MODELS				
	ZHTA 504241	ZHTA60 504242	ZHTAI 504243	ZHTAID 504238	ZHTAI AU 504240
Water supply					
temperature - °C	50	50	50	50	50
hardness - °f	7-14	7-14	7-14	7-14	7-14
Rinse Booster Pump	●	●	●	●	●
Detergent dispenser				●	●
Automatic lifting					●
Rinse aid dispenser	●	●	●	●	●
N° of cycles	4	4	4	4	4
Duration cycles - sec.	54/90/150/inf	54/90/150/inf	54/90/150/inf	54/90/150/inf	54/90/150/inf
Dishes capacity/h	1200	1200	1200	1200	1200
Basket capacity/h	67	67	67	67	67
Door/hood thickness	Single	Single	Double	Double	Double
External dimensions - mm					
width	735	735	735	735	735
depth	815	815	815	815	756
height	1507	1507	1507	1507	1560
Cell dimensions - mm					
width	590	590	590	590	590
depth	560	560	560	560	560
height	409	409	409	409	409
Washing cycle					
temperature - °C	55-65	55-65	55-65	55-65	55-65
tank capacity - lt.	40	40	40	40	40
power pump - kW	0.8	0.8	0.8	0.8	0.8
electrical elements - kW	3	3	3	3	3
Hot rinse cycle					
duration - sec.	12	12	12	12	12
temperature during rinse - °C	84	84	84	84	84
water consumption - lt./cycle	3	3	3	3	3
Boiler capacity - lt.	12	12	12	12	12
Boiler elements - kW	9	9	9	9	9
Power - kW					
Rinse pump	0.35	0.35	0.35	0.35	0.35
total power	9.9	9.9	9.9	9.9	9.9
Noise level - dBA	<68	<68	<63	<63	<63
Net weight - kg.	111.5	111.5	128	128	130
Supply voltage	400 V, 3N, 50	400 V, 3N, 60	400 V, 3N, 50	400 V, 3N, 50	400 V, 3N, 50
Convertible to	230 V / 1+N / 50 Hz; 230 V / 3 / 50 Hz	230 V / 1+N / 60 Hz; 230 V / 3 / 60 Hz	230 V / 1+N / 50 Hz; 230 V / 3 / 50 Hz	230 V / 1+N / 50 Hz; 230 V / 3 / 50 Hz	230 V / 1+N / 50 Hz; 230 V / 3 / 50 Hz
<b>INCLUDED ACCESSORIES</b>					
BASKET FOR 18 DINNER PLATES 240MM-YELLOW	1	1	1	1	1
BASKET FOR 48 SMALL CUPS/24 CUPS-BLUE	1	1	1	1	1
YELLOW CUTLERY CONTAINER	2	2	2	2	2

- ◆ Electronic board with digital display incorporating fault diagnosis system, number of cycles counter and number of drain cycles counter.
- ◆ Double skinned insulated wall (except for codes 504142 and 504242) ensures a low noise level and a reduction in heat loss from the machine.
- ◆ An effective rinse system that uses only 3 litres of clean hot water per rack to ensure lower running costs (in energy, water and chemical consumption).
- ◆ Large deep drawn wash tank and internal wash area with round corners and no pipes to avoid dirt built-up.
- ◆ Easily removable washing and rinsing arms, filters and rack support.
- ◆ All the machines have smooth surfaces and a wash tank with rounded corners to facilitate cleaning.
- ◆ Safety devices prevent the hood from suddenly closing in case of spring breakage, thus avoiding operator injury.
- ◆ The fully automatic self-cleaning cycle

avoids the risk of bacteria proliferation.

- ◆ The self-draining wash pump facilitates the evacuation of stagnant water after long periods of inactivity to ensure a higher level of hygiene.
- ◆ Load bearing frame height adjustable feet, hood, tank, washin and rinsing arms, jets and screws in 304 AISI stainless steel to ensure long term reliability.
- ◆ High efficiency air gap (class A) in water inlet circuit to avoid water being siphoned back into the network as a result of a sudden drop in main pressures.
- ◆ 304L stainless steel boiler with higher welding protection improves the resistance against corrosion with chlorinated water
- ◆ PVC water supply hose with metal connections resistant to high water pressure.
- ◆ The IPX5 water protection.
- ◆ Pre-arranged for on-site HACCP implementation and Energy Management device.
- ◆ The incorporated Soft Start feature offers additional protection to delicate items such

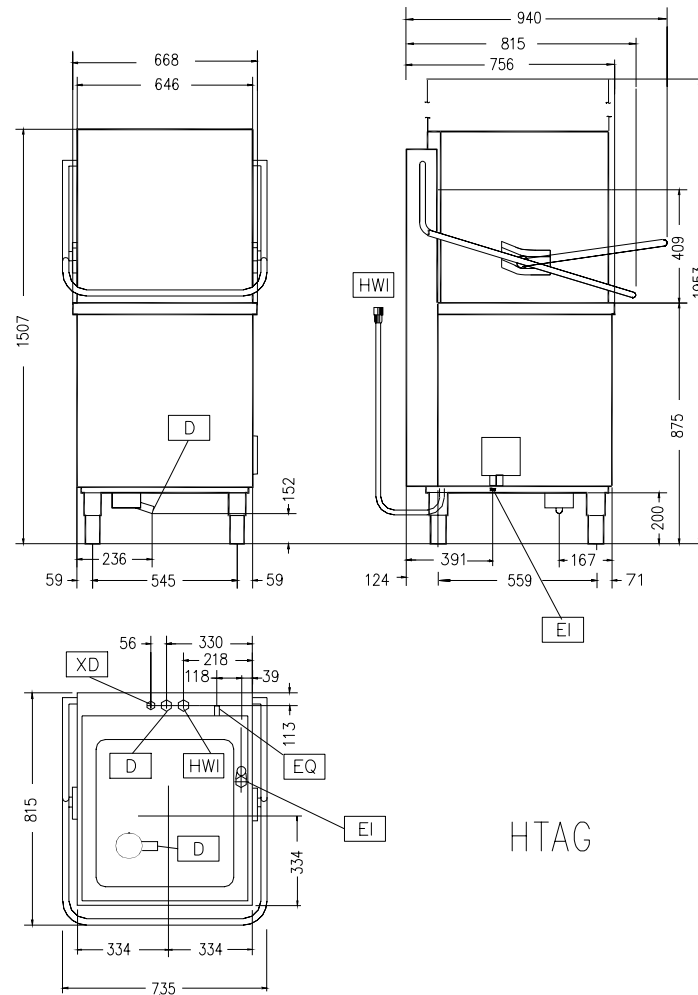
as glassware and crockery and increases wash pump reliability.

- ◆ Three phase electrical connection, convertible on-site.
- ◆ Suitable to be connected to specific pre-wash tabling, service entry and exit tabling and roller conveyor tabling – included in ZANUSSI Professional Handling System range.
- ◆ The machine will start with the close of the hood and stop when the hood is opened
- ◆ More ergonomic operation in Automatic hood model (code 504240) with a button in the control panel to close the hood and the hood will automatically open when the cycle finishes.
- ◆ Open hood on the back side to prevent steam blasts to the operator.
- ◆ All machines are pre-arranged to accept external dispensers.
- ◆ 97% recyclable by weight.
- ◆ CFC free packaging.
- ◆ Low noise level.
- ◆ Developed and produced in ISO 9001 and ISO 14001 certified factory.
- ◆ In compliance with CE requirements.

OPTIONAL ACCESSORIES					
ACCESSORIES	MODELS				
	ZHTA 504241	ZHTA60 504242	ZHTAI 504243	ZHTAID 504238	ZHTAIAU 504240
20 L EXTERNAL MANUAL WATER SOFTENER	860430	860430	860430	860430	860430
304 AISI BACK PANEL FOR HT AUTO.TOP LEV.					864308
304 AISI BACK PANEL FOR HT TOP LEVEL	864299	864299	864299	864299	
BASKET F.16 VERTIC.GLASSES (H70MM)-BLUE	867023	867023	867023	867023	867023
BASKET FOR 12 SOUP BOWLS 240MM-GREEN	867000	867000	867000	867000	867000
BASKET FOR 18 DINNER PLATES 240MM-YELLOW	867002	867002	867002	867002	867002
BASKET FOR 48 SMALL CUPS/24 CUPS-BLUE	867007	867007	867007	867007	867007
BASKET FOR 6 TRAYS 530X370MM-RED	866743	866743	866743	866743	866743
BASKET FOR BULK CUTLERY-BROWN	867009	867009	867009	867009	867009
BASKET SEMI-PROFESSIONAL 500X500X190MM	867024	867024	867024	867024	867024
BRASS INLET VALVE KIT FOR UC AND HT	864000	864000	864000	864000	864000
COVER GRID FOR SMALL/LIGHT ITEMS IN RACK	867016	867016	867016	867016	867016
DETERGENT LEVEL PROBE KIT FOR UC+HT DW	864004	864004	864004	864004	864004
DETERGENT PUMP KIT	864218	864218	864218		864218
DRAIN PUMP KIT FOR 50HZ DISHWASHERS	864199		864199	864199	864199
EXT.REVERSE OSMOSIS FILT-ATMOSPH. BOILER	864026	864026	864026	864026	864026
FILTER FOR PARTIAL DEMINERALIZATION	864017	864017	864017	864017	864017
FILTER FOR TOTAL DEMINERALIZATION	864015	864015	864015	864015	864015
HACCP PRINTER KIT FOR UC, HT AND POTW	864002	864002	864002	864002	864002
INTEGRATED HACCP KIT FOR UC, HT AND POTW	864001	864001	864001	864001	864001
KIT 4 PLASTIC BOXES FOR CUTLERY-YELLOW	865574	865574	865574	865574	865574
KIT 8 PLASTIC BOXES FOR CUTLERY-YELLOW	780068	780068	780068	780068	780068
KIT HACCP EKIS	922166	922166	922166	922166	922166
KIT TO MEASURE TOTAL/PART.WATER HARDNESS	864050	864050	864050	864050	864050
RINSE AID LEVEL PROBE KIT FOR UC+HT DW	864005	864005	864005	864005	864005
STAINLESS STEEL INLET HOSE KIT	864016	864016	864016	864016	864016
YELLOW CUTLERY CONTAINER	864242	864242	864242	864242	864242



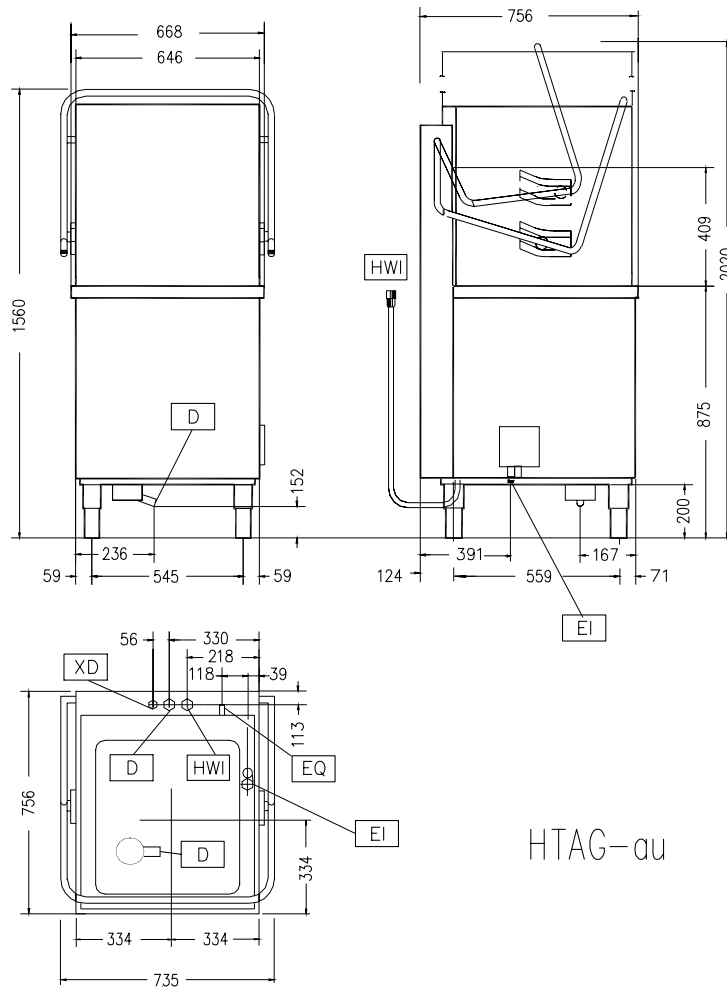
www.zanussiprofessional.com



LEGEND

	ZHTA 504241	ZHTA60 504242	ZHTAI 504243	ZHTAID 504238
D - Water drain	40mm	40mm	40mm	40mm
EI - Electrical connection	400 V, 3N, 50	400 V, 3N, 60	400 V, 3N, 50	400 V, 3N, 50
EQ - Equipotential screw	●	●	●	●
HWI - Hot water inlet	G 3/4"	G 3/4"	G 3/4"	G 3/4"
XR - Connection for detergent dispenser	●	●	●	●





LEGEND

	ZHTAIAU 504240
D - Water drain	40mm
EI - Electrical connection	400 V, 3N, 50
EQ - Equipotential screw	●
HWI - Hot water inlet	G 3/4"
XR - Connection for detergent dispenser	●

