

RANGE COMPOSITION

The range consists of 6, two bowl sink units for dishwashers, ranging from 1600 to 2000 mm in length.



1600/1800 mm

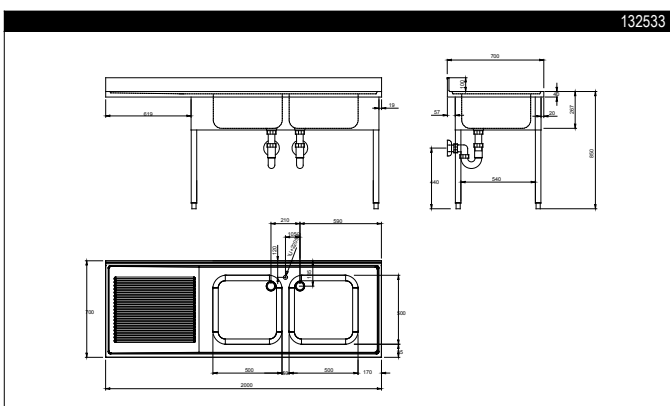
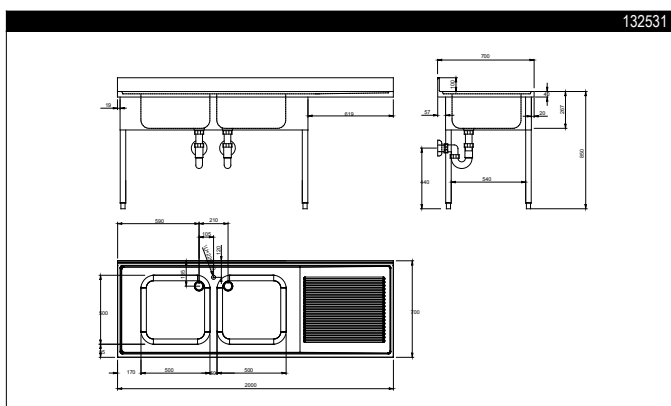
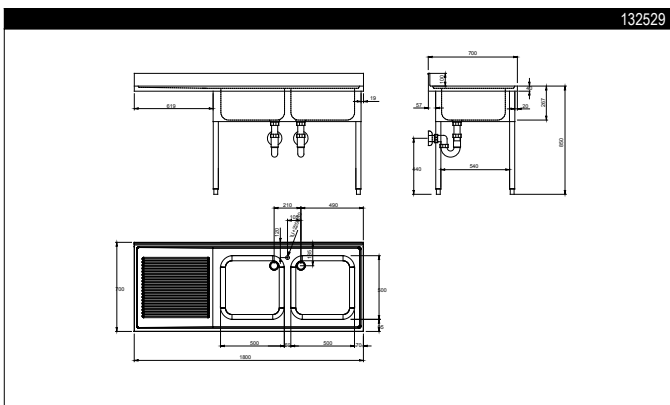
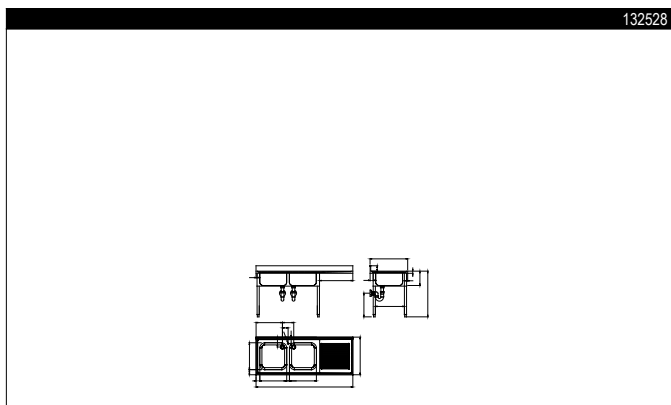
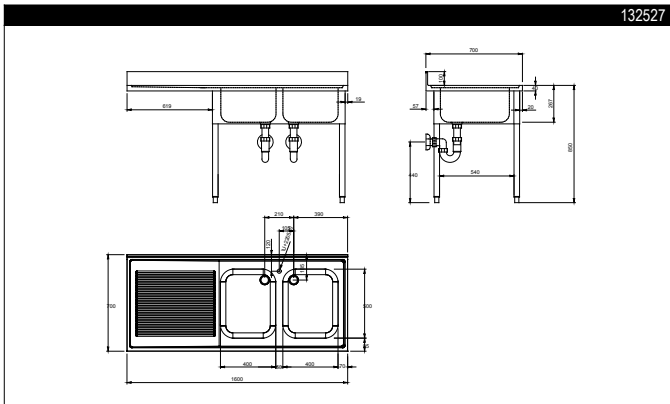
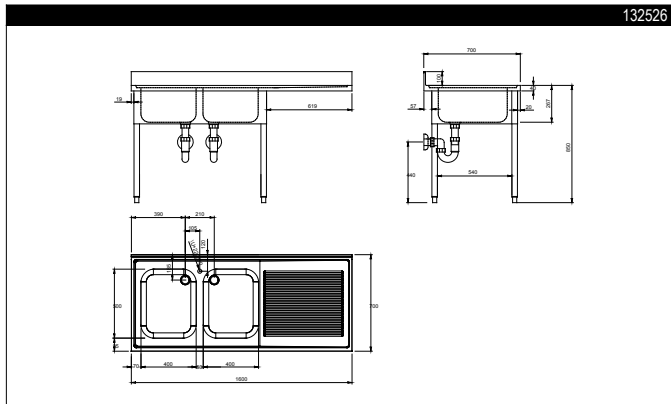
ECO SINK UNIT FOR DISHWASHER - 2 BOWL **ZANUSSI** PROFESSIONAL

FUNCTIONAL AND CONSTRUCTION FEATURES

- ◆ Work top 700 mm in depth, 40 mm in height and constructed in 304 AISI.
- ◆ Shelf 40 mm in height in 304 AISI with riveted corners and trasversal reinforcements (accessory available upon request).

- ◆ 40x40 mm square section feet in 304 AISI stainless steel.
- ◆ Front and side paneling in 304 AISI and back paneling in stainless steel.
- ◆ 100 mm upstand.
- ◆ Handles are built directly into the sliding and hinged doors.
- ◆ Inner door, runners and supports in stainless steel.
- ◆ The sink units are delivered already assembled.

TECHNICAL DATA						
CHARACTERISTICS	MODELS					
	SLG216D 132526	SLG216S 132527	SLG218D 132528	SLG218S 132529	SLG220D 132531	SLG220S 132533
External dimensions - mm						
width	1600	1600	1800	1800	2000	2000
depth	700	700	700	700	700	700
height	850	850	850	850	850	850
Upstand dimensions - mm						
height	100	100	100	100	100	100
depth	13	13	13	13	13	13
radius	90°	90°	90°	90°	90°	90°
Bowls - n.	2	2	2	2	2	2
Bowl dimensions (wxdxh) - mm	400X500XH250	400X500XH250	500x500xH250	500x500xH250	500x500xH250	500x500xH250
Net weight - kg.	70	70	75	75	80	80



LEGEND	SLG216D 132526	SLG216S 132527	SLG218D 132528	SLG218S 132529	SLG220D 132531	SLG220S 132533
A - Hot water inlet	3/4"	3/4"	3/4"	3/4"	3/4"	3/4"
B - Cold water inlet	3/4"	3/4"	3/4"	3/4"	3/4"	3/4"
C - Water drain	1 1/2"	1 1/2"	1 1/2"	1 1/2"	1 1/2"	1 1/2"

OPTIONAL ACCESSORIES	MODELS					
ACCESSORIES	SLG216D 132526	SLG216S 132527	SLG218D 132528	SLG218S 132529	SLG220D 132531	SLG220S 132533
DOUBLE PLASTIC DRAIN SYPHON 1.5"	850021	850021	850021	850021	850021	850021
ELBOW OP.MIXER TAP+SPOUT-3/4" SINGLE HOLE	855322	855322	855322	855322	855322	855322
ELBOW OP.TAP+SPRAY ARM+SPOUT-3/4" HOLE	855324	855324	855324	855324	855324	855324
FOOT OP.MIXER TAP(HOT+COLD)+SPOUT-3/4"	855328	855328	855328	855328	855328	855328
LOWER SHELF 1000MM	855167	855167				
LOWER SHELF 1200MM			855168	855168		
LOWER SHELF 1400MM					855169	855169
MAXIREEL-RETRACTABLE HOSE SPRAY UNIT 6M	855327	855327	855327	855327	855327	855327
MIXER TAP W/FOOT PEDAL FOR SINKS ON LEGS	855317	855317	855317	855317	855317	855317
MIXER TAP WITH SPOUT 3/4" SINGLE HOLE	855319	855319	855319	855319	855319	855319
MIXER TAP+SPRAY ARM+SPOUT-3/4" SING.HOLE	855329	855329	855329	855329	855329	855329
PRE-WASH SPRAY UNIT,SINGLE HOLE	855315	855315	855315	855315	855315	855315
SINGLE BRASS DRAIN SYPHON 1.5"	855308	855308	855308	855308	855308	855308
SINGLE PLASTIC DRAIN SYPHON 1.5"	855306	855306	855306	855306	855306	855306
WALL MIX.TAP+SPRAY+SPOUT+SH.LEVER+THERM	855307	855307	855307	855307	855307	855307
WALL MIXER TAP WITH SWIVEL SPOUT 3/4"	855310	855310	855310	855310	855310	855310



www.zanussiprofessional.com