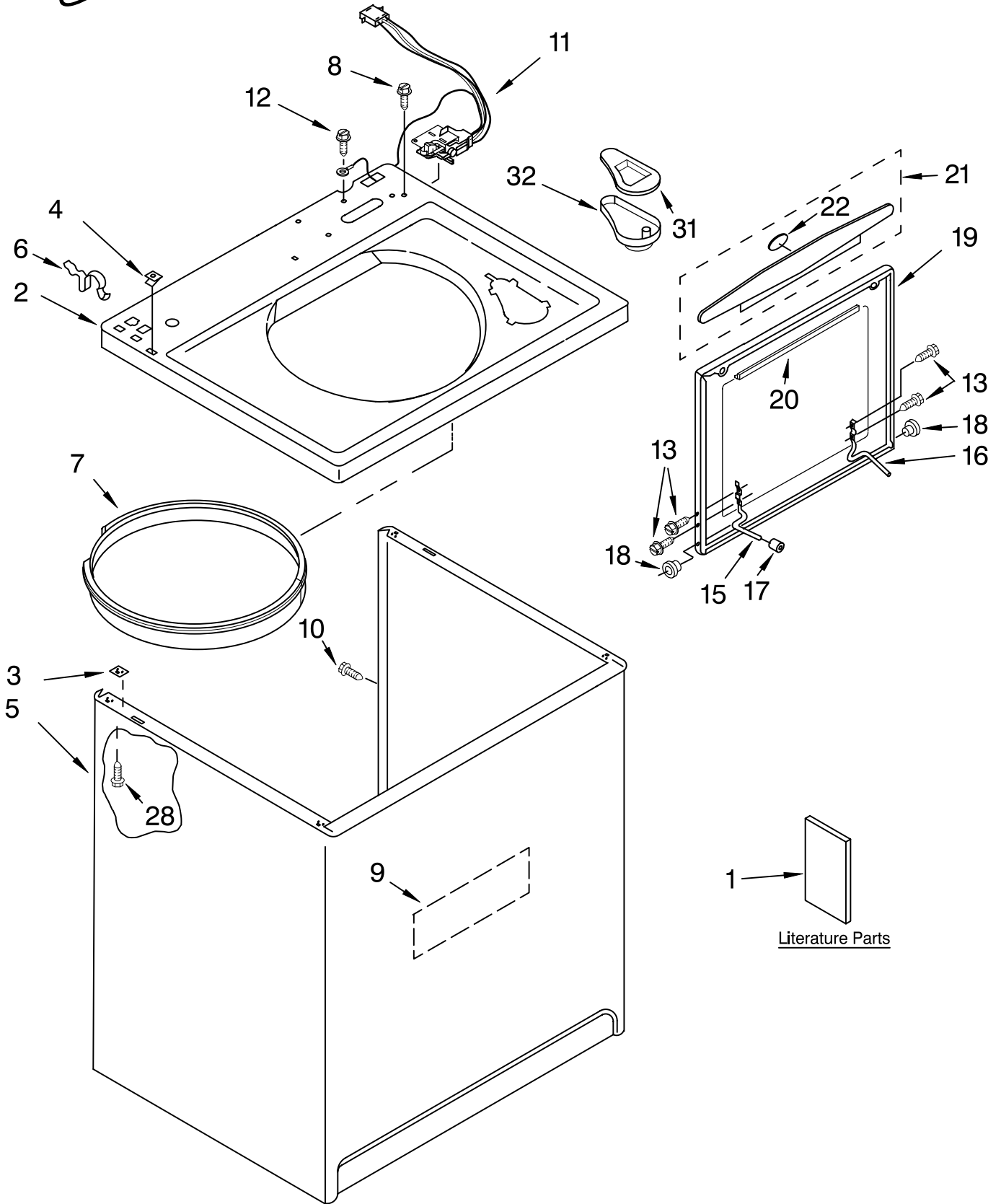




TOP AND CABINET PARTS

AUTOMATIC WASHER

For Model: GSW9650LW0
(White/Grey)



Literature Parts

FOR ORDERING INFORMATION REFER TO PARTS PRICE LIST

TOP AND CABINET PARTS

For Model: GSW9650LW0
(White/Grey)

Illus. No.	Part No.	DESCRIPTION
1		Literature Parts
	LIT3956025	Installation Instructions
	LIT3955905	Feature Sheet
	LIT3955869	Use & Care Guide
	LIT3956358	Energy Guide
	LIT3955503	Wiring Diagram

Following May Be Purchased

DO-IT-YOURSELF REPAIR MANUALS

	LIT4313896	Do-It-Yourself Manual (Washer)
2	3955792	Top
3	62750	Spacer, Cabinet To Top (4)
4	357213	Nut, Push-In (2)
5	63424	Cabinet
6	62780	Clip, Top & Cabinet & Rear Panel (2)
7	8271956	Shield, D Ring
8	3400611	Screw, Lid Switch (2)
9	3976348	Cabinet-Sound Damper
10	3357011	Screw, 10-16 x 1/2
11	8054980	Switch, Lid
12	3351614	Screw, Ground
13	355274	Screw, Lid Hinge Mounting (4)
15	8055257	Hinge, Lid (L.H.)
16	8055256	Hinge, Lid (R.H.)
17	19119	Bumper, Lid Hinge
18	8319539	Bearing, Lid Hinge (2)
19	3956016	Lid
20	8054939	Seal, Lid
21	3956012	Handle, Lid
22	3956010	Insert, Handle
28	3390631	Screw, 10-16 x 3/8 (4)
31	3956079	Cover, Dispenser
32	8519517	Dispenser, Bleach

CONTROLS AND REAR PANEL PARTS

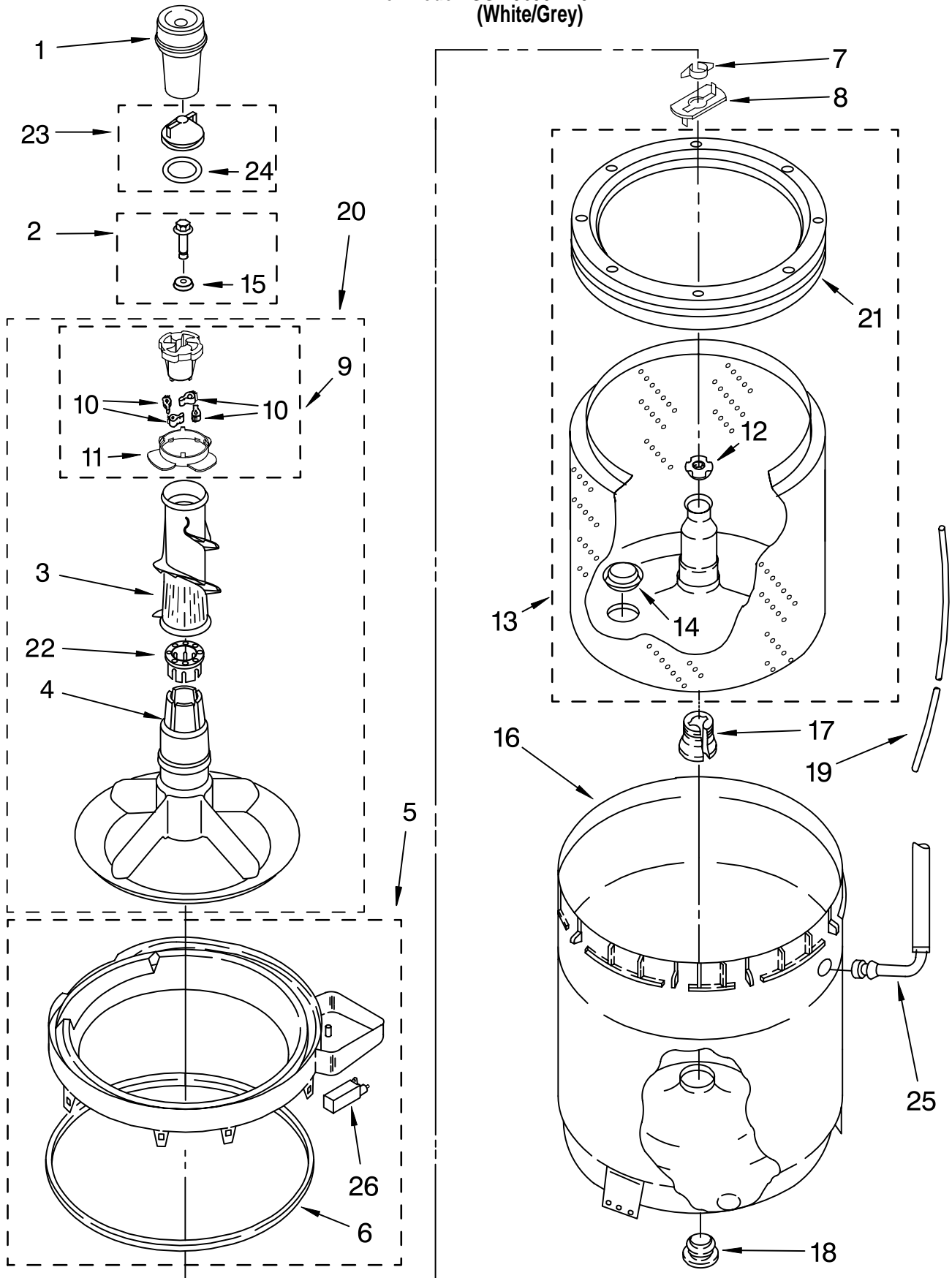
For Model: GSW9650LW0
(White/Grey)

Illus. No.	Part No.	DESCRIPTION	Illus. No.	Part No.	DESCRIPTION	Illus. No.	Part No.	DESCRIPTION
1	3976300	Washer, Water Inlet Hose (4) (1-1/16 x 5/8)	16	8271365	Cap, End (L.H.)	38	3950356	Switch, Rotary
2	62863	Screw, 10-16 x 3/8	17	3955728	ETC Control	39	3955824	Panel, Console (Includes #40)
3		Hose, Water Inlet	18	3979346	Valve, Water Inlet & Thermistor Assy.	40	3955776	Medallion
	3949374	Blue Coupler	19	303294	Edge Protector	42	8536939	Clip, Knob
	3949375	Red Coupler	20	8318201	Clip, Capacitor	43	3400073	Screw, Ground
4	8532053	Switch, Rotary	21	370451	Clamp, Hose	44	8538950	Knob, Timer
5	8318255	Strap, Console (2)	22	8055003	Clip, Harness & Pressure Hose	45	8538955	Dial, Timer
6	3357978	Panel, Rear	23	371503	Clamp, Hose	46	8538957	Knob, Control
7	62747	Pad, Rear Panel	24	387606	Break, Vacuum	47	3366913	Clamp, Hose
8	3951609	Hose, Rubber Drain	25	8317926	Hose, Vacuum Break	48	3976286	Shield, Capacitor
9	3955501	Timer, Control (60 Hz.) (Motor Not A Service Part)	26	8317940	Assembly, Drain Hose	49	388326	Screw, 8-18 x 1.25 (Panel to Top)
10	3351614	Screw, Ground 10-24 x 3/8	27	8283343	Retainer, Harness	51	8271359	Cap, End (R.H.)
11	90767	Screw, 8-18 x 3/8	28	3976395	Clamp, Hose	52	9740848	Screw
12	8528337	Switch, Water Level	29	694419	Mini-Buzzer	53	3357027	Nozzle, Drain Hose
13	3948608	Bracket, Control	30	3363366	Clamp, Hose	54	8317387	Fuse (In Harness)
14	661661	Cord, Power (Includes Item 15)	31	8317496	Clamp, Hose	55	8539874	Shield, Suds
15	3952821	Strain Relief, Power Cord	32	3951449	Hose, Pump To Tub	56	3955727	Harness, Wiring (For Detail See Pages 9 & 10)
			33	3347812	Clip, Harness	58	3366912	Clamp, Drain Hose
			35	3949180	Switch, Rotary (Temp. Switch)			
			36	3400064	Screw, Timer Mounting (2)			
			37	661605	Capacitor, Motor Start			

FOR ORDERING INFORMATION REFER TO PARTS PRICE LIST

AGITATOR, BASKET AND TUB PARTS

For Model: GSW9650LW0
(White/Grey)



FOR ORDERING INFORMATION REFER TO PARTS PRICE LIST

AGITATOR, BASKET AND TUB PARTS

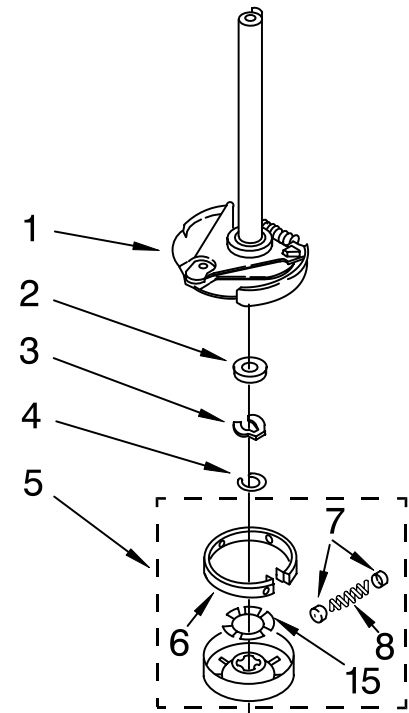
For Model: GSW9650LW0
(White/Grey)

Illus. No.	Part No.	DESCRIPTION
1	63580	Dispenser
2	358237	Screw & Washer (5/16-24 x 1)
3	3363003	Clothes Mover
4	3347288	Agitator
5	3954507	Tub Ring & Gasket
6	3359585	Gasket, Tub Ring
7	3354845	Clip, Agitator
8	3355921	Washer, Agitator
9	3363663	Cam Driven
10	3366877	Dog, Agitator Clutch (4)
11	3363661	Bearing-Driven Cam
12	21366	Nut, Spanner
13	8526016	Basket & Balance Ring (Also Order #14)
14	8522271	Filter Plug
15	3949550	Washer
16	8283125	Tub (Includes Item 25)
17	389140	Block, Basket Drive
18	383727	Gasket, Centerpost
19	3347780	Hose, Pressure Switch
20	3946501	Agitator Asy. (Complete)
21	8519788	Balance Ring
22	3350389	Spacer, Thrust
23	3354733	Cap, Barrier
24	3348855	Seal, Inner Cap
25	3948705	Hose, Bleach
26	8318246	Wax Motor

FOR ORDERING INFORMATION REFER TO PARTS PRICE LIST

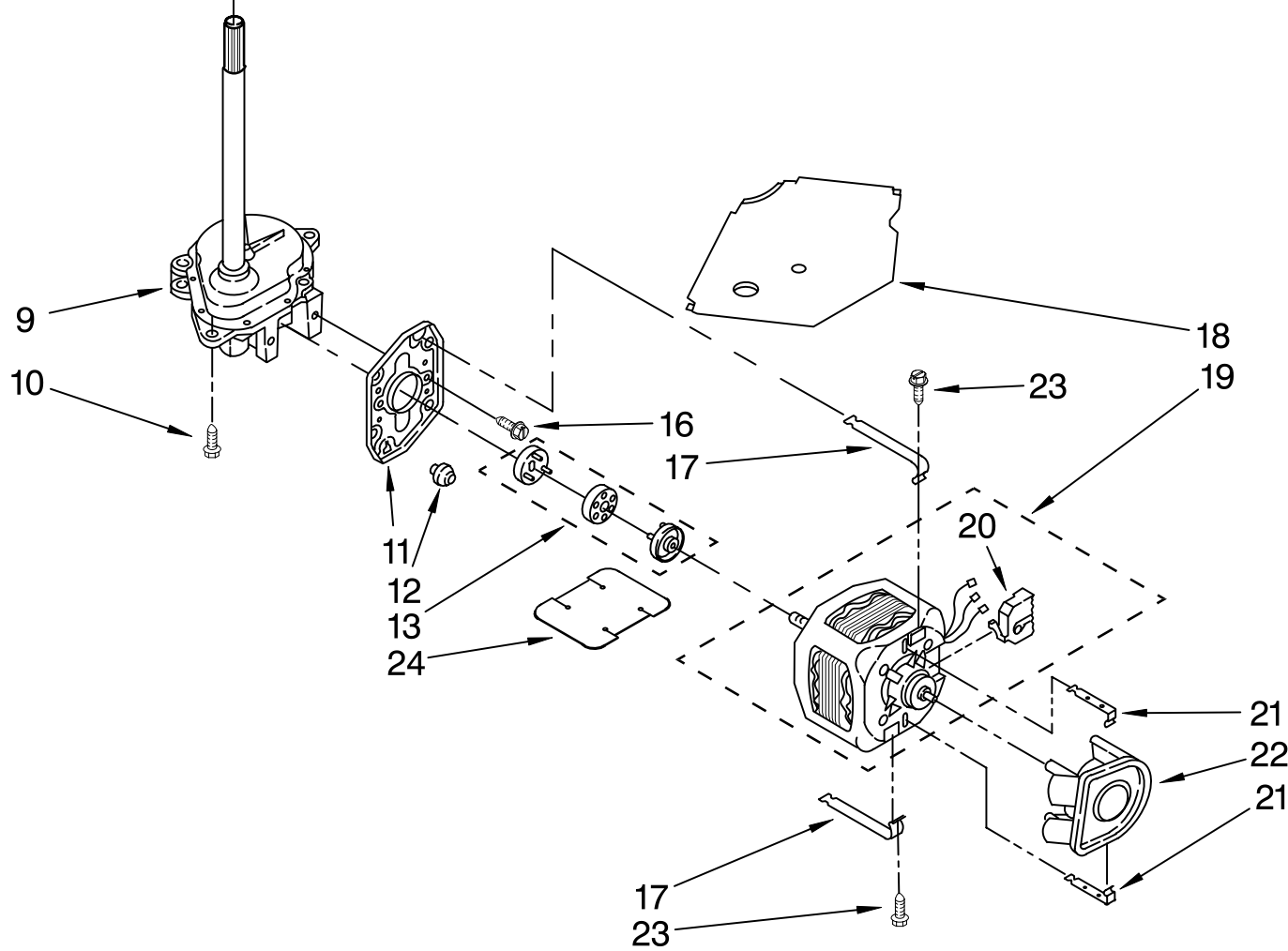
BRAKE, CLUTCH, GEARCASE, MOTOR AND PUMP PARTS

For Model: GSW9650LW0
(White/Grey)



Illus. No.	Part No.	DESCRIPTION
1	388952	Brake & Drive Tube (Complete) (Refer to Page 12 For Further Breakdown)
2	63292	Washer, Spin Tube Thrust
3	62697	Ring, Spin Tube Support
4	63283	Ring, Retainer
5	3951311	Clutch (Complete)
6	3951308	Band & Lining, Clutch
7	62646	Cap, Clutch Spring (2)
8	3946792	Spring, Clutch
9	3360630	Gearcase (Complete) (Refer To Page 13 For Further Breakdown)

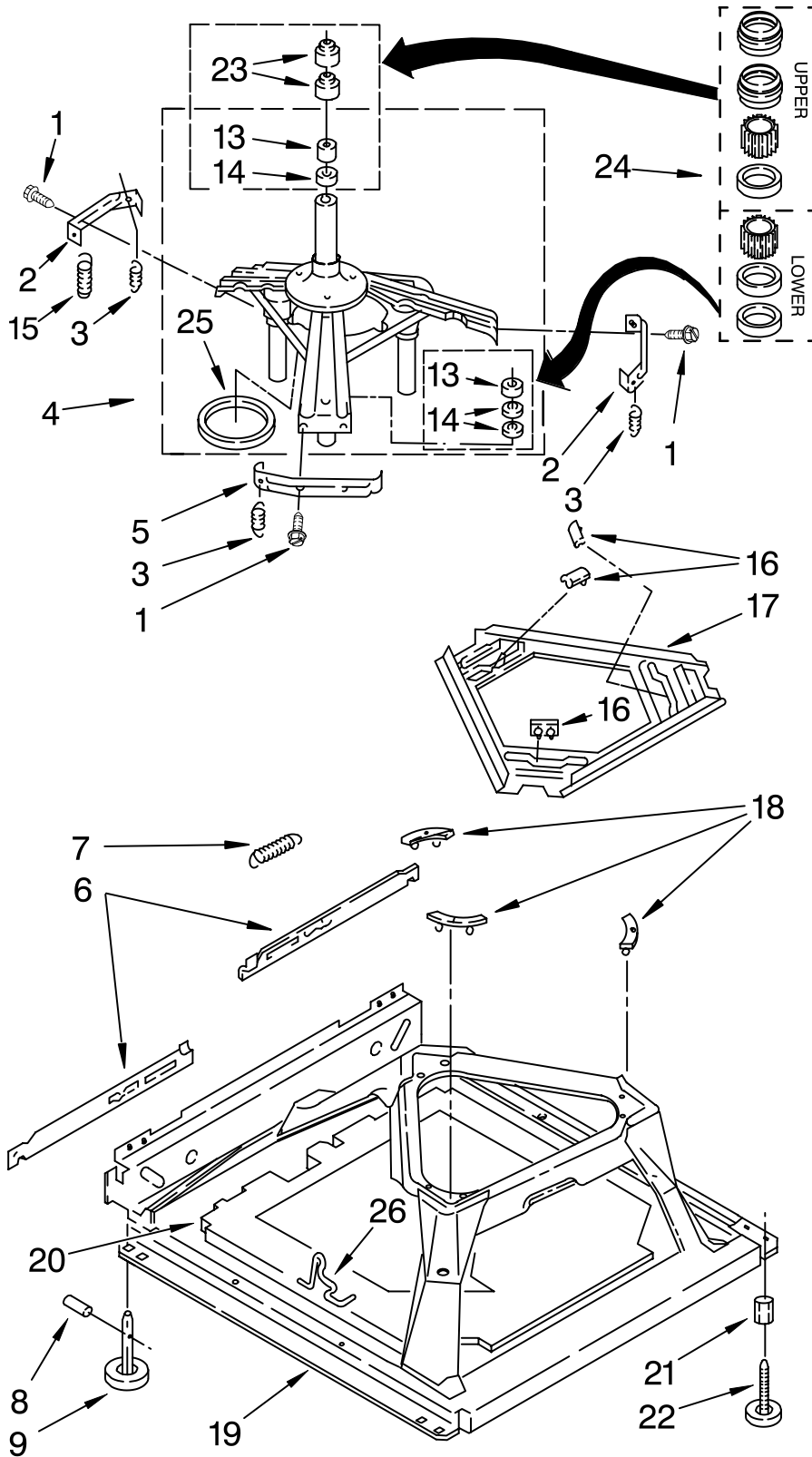
Illus. No.	Part No.	DESCRIPTION
10	3357334	Screw, Gearcase To Base (2)
11	62611	Plate, Motor Mount To Gearcase
12	62691	Grommet, Motor (4)
13	285753	Coupling, Motor & Isolation
15	3355454	Clip, Anti-Rattle
16	3400516	Screw (2)
17	3349637	Retainer, Motor (2)
18	3362089	Shield, Tub To Motor
19	8529935	Motor, Main Drive
20	8529896	Switch, Main Drive Motor
21	8546127	Retainer, Pump (2)
22	3363394	Pump (Complete)
23	3387485	Screw, 10-16 x 5/8
24	3946532	Shield, Motor



FOR ORDERING INFORMATION REFER TO PARTS PRICE LIST

MACHINE BASE PARTS

For Model: GSW9650LW0
(White/Grey)

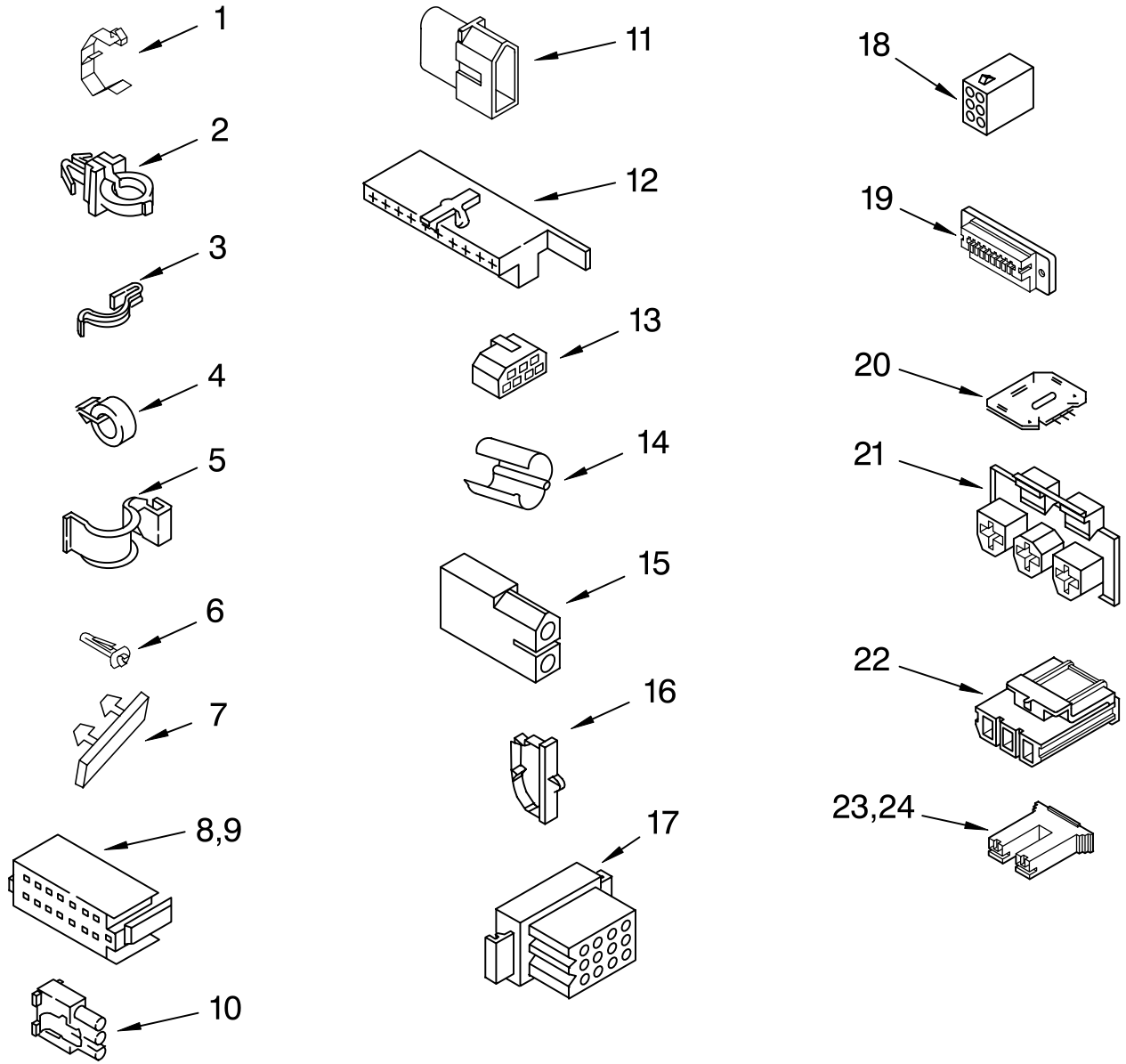


Illus. No.	Part No.	DESCRIPTION
1	3400076	Screw, Bracket Mounting
2	64067	Bracket, Spring Outer (2)
3	63907	Spring Suspension, (3)
4	3362087	Support & Brake, Tub
5	64065	Bracket, Spring Outer (L.F.)
6	63466	Link, Leveling Mechanism (2)
7	62597	Spring, Leveling Mechanism
8	62837	Pin, Knurled
9	62596	Foot, Rear (2)
13	3347047	Bearing, Centerpost (2)
14	357409	Seal, Centerpost (3)
15	8318050	Spring, Counterweight
16	62568	Pad, Plate
17	3946509	Plate, Suspension (Includes Illus. 16)
18	3363660	Pad, Base
19	3946512	Base Assembly (Includes Illus. 6, 7, 8, 9, 18 & 26)
20	8544816	Sound Absorber
21	3359452	Nut, Lock (2) (3/8-16)
22	389102	Foot, Front (2)
23	356934	Seal, Centerpost (2)
24	285203	Centerpost Bearing Kit (Includes Illus. 13, 14 & 23)
25	63134	Ring, Sound Deadening
26	63806	Retainer, Suspension Spring

FOR ORDERING INFORMATION REFER TO PARTS PRICE LIST

WIRING HARNESS PARTS

For Model: GSW9650LW0
(White/Grey)



WH2H

FOR ORDERING INFORMATION REFER TO PARTS PRICE LIST

WIRING HARNESS PARTS

For Model: GSW9650LW0
(White/Grey)

Illus. No.	Part No.	DESCRIPTION	Illus. No.	Part No.	DESCRIPTION	Illus. No.	Part No.	DESCRIPTION
1	3349557	Clip, Harness	10	62889	Receptacle, Terminal (3-Way) (Lid Switch) (Use Term.94613)	17	3390423	Block, Disconnect (12-Way) (Timer) (Use Term. 94613)
2	388498	Clip, Harness				18	3347730	Receptacle (6-Way) (Use Term. 94613)
3	3347812	Clip, Harness	11	353424	Plug, Terminal (3-Way) (Power Cord) (Use Term.94613)	19	3349494	Connector, Etc
4	3352501	Clip, Harness	12	62505	Block, Disconnect (Motor 2 Speed) (Use Term.352088)	20	3407125	E.T.C. Control
5	90016	Clip, Harness	13	3347243	Block, Disconnect (Use Term. 352088)	21	3948617	Connector (T.P.A.) (3-Circuit) (Lid Switch)
6	3390496	Clip, Harness	14	63523	Protector	22	3360056	Connector (T.P.A.) (3-Circuit) (Pressure Switch)
7	389379	Retainer, (Suds Models)	15	717252	Connector (2-Way) (Use Term.94614)	23	3354925	Block, Connector (Cold Valve)
8	3948614	Timer, Block Disconnect (White)	16	3352944	Clip, Harness	24	3354926	Block, Connector (Hot Valve)
9	352089	Timer, Block Disconnect (Black)						

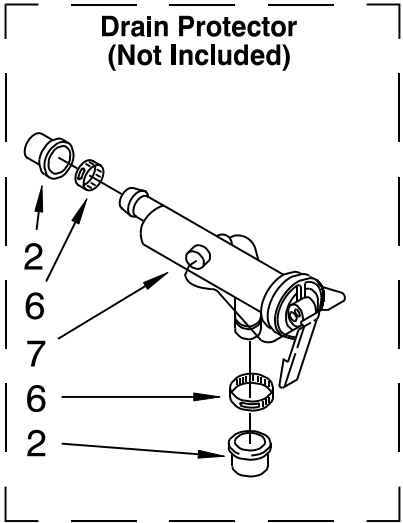
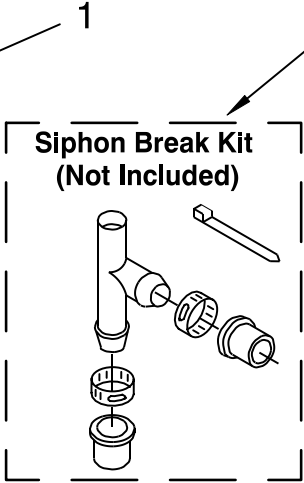
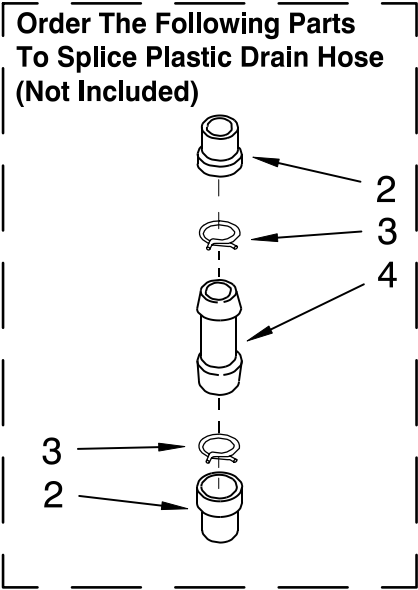
**FOR COMPLETE WIRING HARNESS REFER TO
CONTROL AND REAR PANEL PARTS PAGE**

WH2H

FOR ORDERING INFORMATION REFER TO PARTS PRICE LIST

WATER SYSTEM PARTS

For Model: GSW9650LW0
(White/Grey)



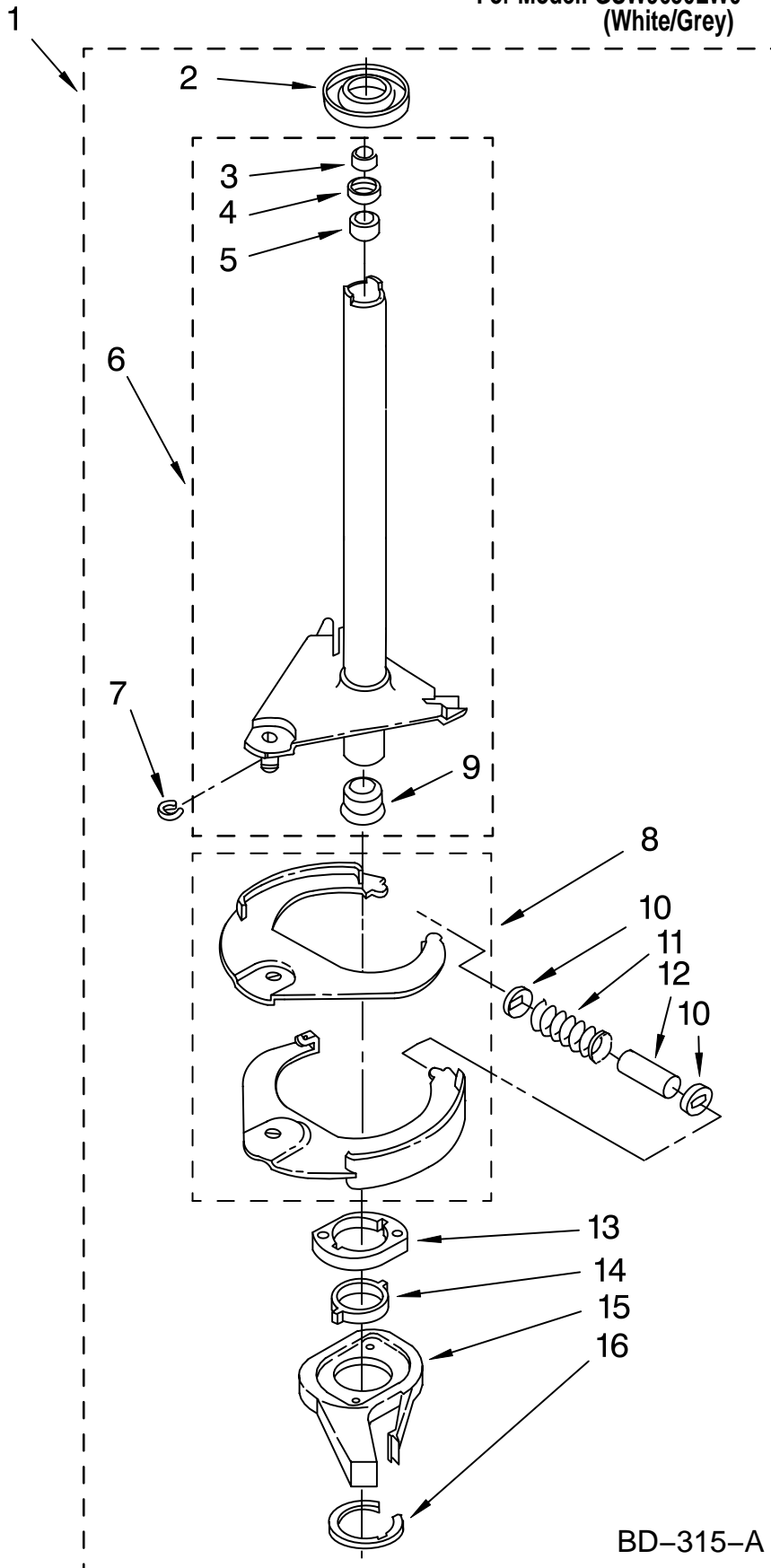
WS400

Illus. No.	Part No.	DESCRIPTION
1	285442	Connector Kit, Plastic Drain Hose
2	285321	Sleeve Kit, (Contains 2 Sleeves)
3	370447	Clamp, Hose
4	16272	Connector, Straight
5	285320	Siphon Break Kit (Not Included)
6	65349	Clamp, Hose
7	367031	Drain Protector (Not Included)

FOR ORDERING INFORMATION REFER TO PARTS PRICE LIST

BRAKE AND DRIVE TUBE PARTS

For Model: GSW9650LW0
(White/Grey)



Illus. No.	Part No.	DESCRIPTION
1	388952	Brake And Drive Tube (Complete)
2	62658	Ring, Thrust
3	91939	Seal, Oil
4	356427	Seal, Drive Tube
5	356937	Spacer, Drive Tube
6	64027	Tube, Basket Drive (Includes Illus. 3, 4, 5 & 9)
7	64035	Ring, Retaining
8	64232	Shoe, Brake
9	62703	"T" Bearing, Spin Tube
10	62648	Cap, Brake Spring (2)
11	387806	Spring, Brake
12	62909	Sleeve, Brake Spring
13	63023	Cam, Brake Release
14	63022	Sleeve, Cam
15	64194	Driver, Brake Cam
16	90368	Ring, Retaining

FOLLOWING PARTS
NOT ILLUSTRATED

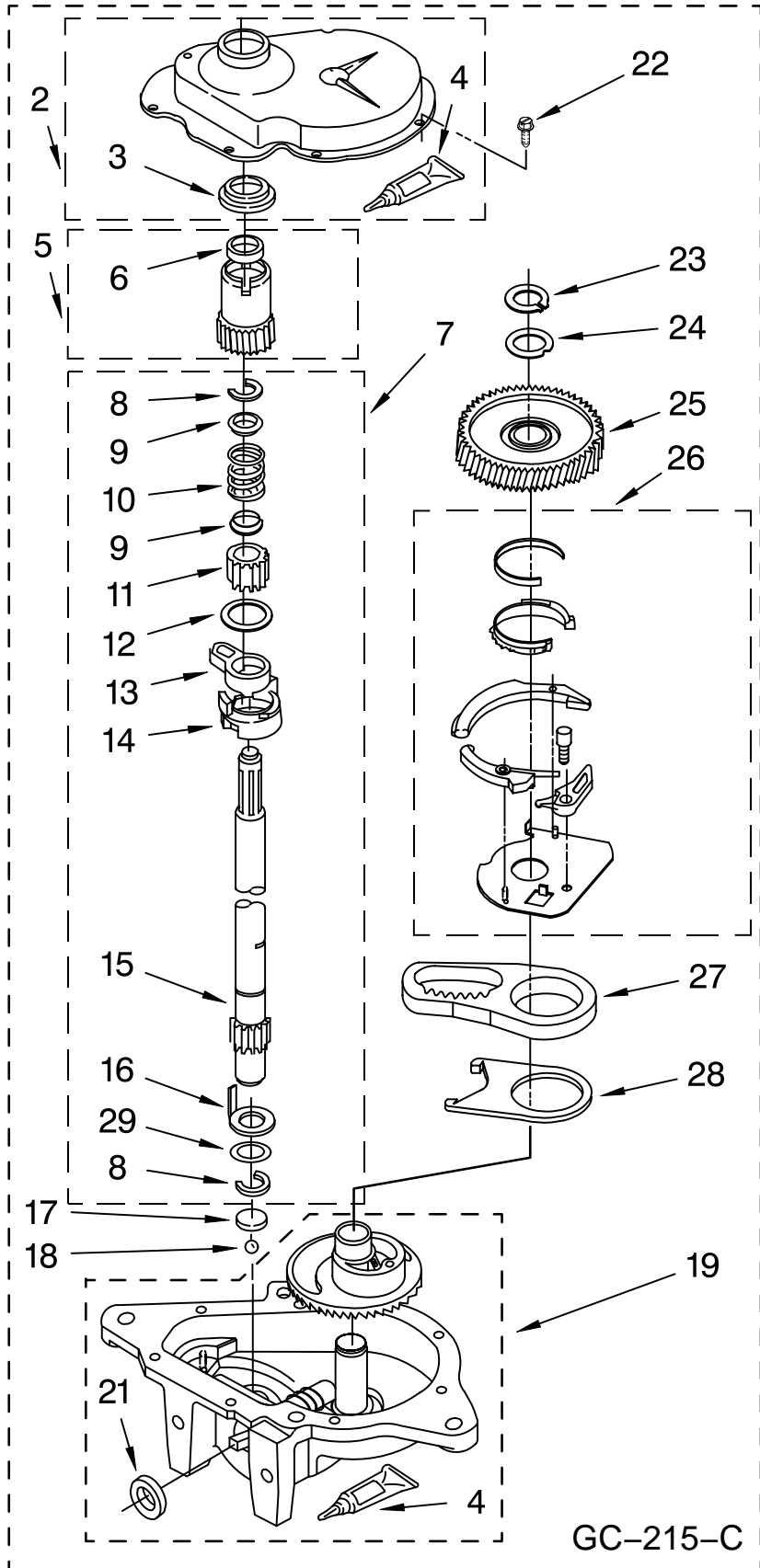
285208 Lubricant
(Use Only In
Brake Shoe
Assembly On
Roller & Pin)

BD-315-A

FOR ORDERING INFORMATION REFER TO PARTS PRICE LIST

GEARCASE PARTS

For Model: GSW9650LW0
(White/Grey)



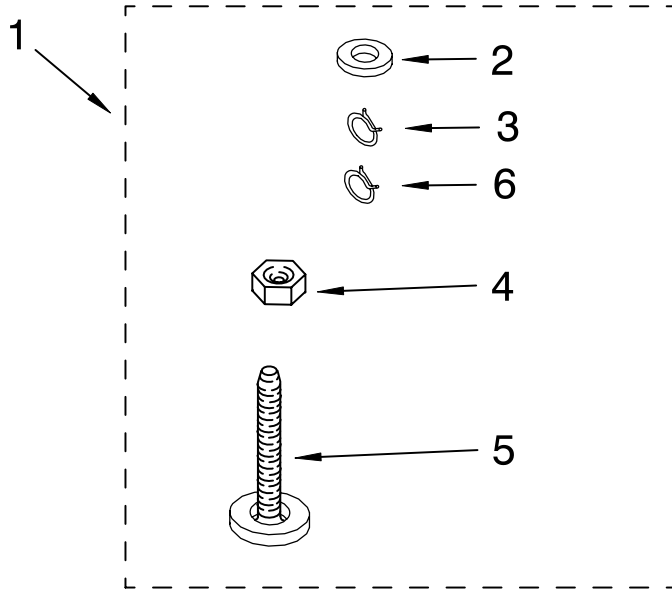
Illus. No.	Part No.	DESCRIPTION
1	3360630	Gearcase (Complete)
2	285202	Cover, Gearcase
3	3349985	Seal, Gearcase Cover
4	285195	Sealer, Gasket (.20 Fl. Oz.) (6 ml)
5	63320	Pinion, Spin (Includes Illus. 25)
6	356427	Seal, Spin Pinion
7	389387	Shaft, Agitator (Complete)
8	90369	Ring, Retaining (2)
9	62677	Retainer, Spring
10	62676	Spring, Agitate
11	63273	Gear, Agitate (Includes 15 and 29)
12	62619	Washer, Agitate Gear
13	62580	Cam Follower (Includes 14)
14	62581	Cam, Agitate (Includes 13)
15	285509	Shaft, Agitator (Includes 11 and 29)
16	62618	Washer, Cam Thrust
17	16018	Bearing, Thrust
18	85529	Ball, Bearing
19	389230	Bottom and Pinion, Gearcase
21	285352	Seal, Thrust Plug
22	3351614	Screw, Gearcase Cover, Mounting (8) (10-24 x 3/8)
23	3362552	Ring, Retaining
24	285735	Washer Kit, Thrust
25	62570	Gear, Spin
26	388253	Neutral Assembly
27	3349296	Rack, Connecting
28	62621	Actuator, Shift
29	388815	Washer, Intermediate

GC-215-C

FOR ORDERING INFORMATION REFER TO PARTS PRICE LIST

MISCELLANEOUS PARTS

For Model: GSW9650LW0
(White/Grey)



Illus. No.	Part No.	DESCRIPTION
1	3976263	Miscellaneous Parts Bag
2	3976300	Washer, Inlet Hose (1-1/16 x 5/8) (4)
3	3366913	Clamp, Hose
4	3359452	Nut, Lock (3/8-16)
5	389102	Foot, Front (2)
6	3366912	Clamp, Hose

OPTIONAL PARTS (NOT INCLUDED)

Illus. No.	Part No.	DESCRIPTION
<u>PAINT, TOUCH-UP (1/2oz.)</u>		
	72017	White
<u>PAINT, PRESSURIZED SPRAY (12 oz.)</u>		
	350938	Primer, Gray
	350930	White
<u>PAINT, BULK (1 qt.)</u>		
	799344	White (Uncut)

Illus. No.	Part No.	DESCRIPTION
<u>OIL</u>		
	350572	Oil, Gearcase (16 Oz.)
<u>LUBRICANT</u>		
	285208	Lubricant (Use Only in Brake Shoe Assembly On Roller and Pin)

Illus. No.	Part No.	DESCRIPTION
<u>SEALER</u>		
	285195	Sealer, Gasket (.20 Fl. Oz.) (6 ml)
<u>ACCESSORY PARTS</u>		
	367031	Drain Protector
	285320	Siphon Break Kit

FOR ORDERING INFORMATION REFER TO PARTS PRICE LIST