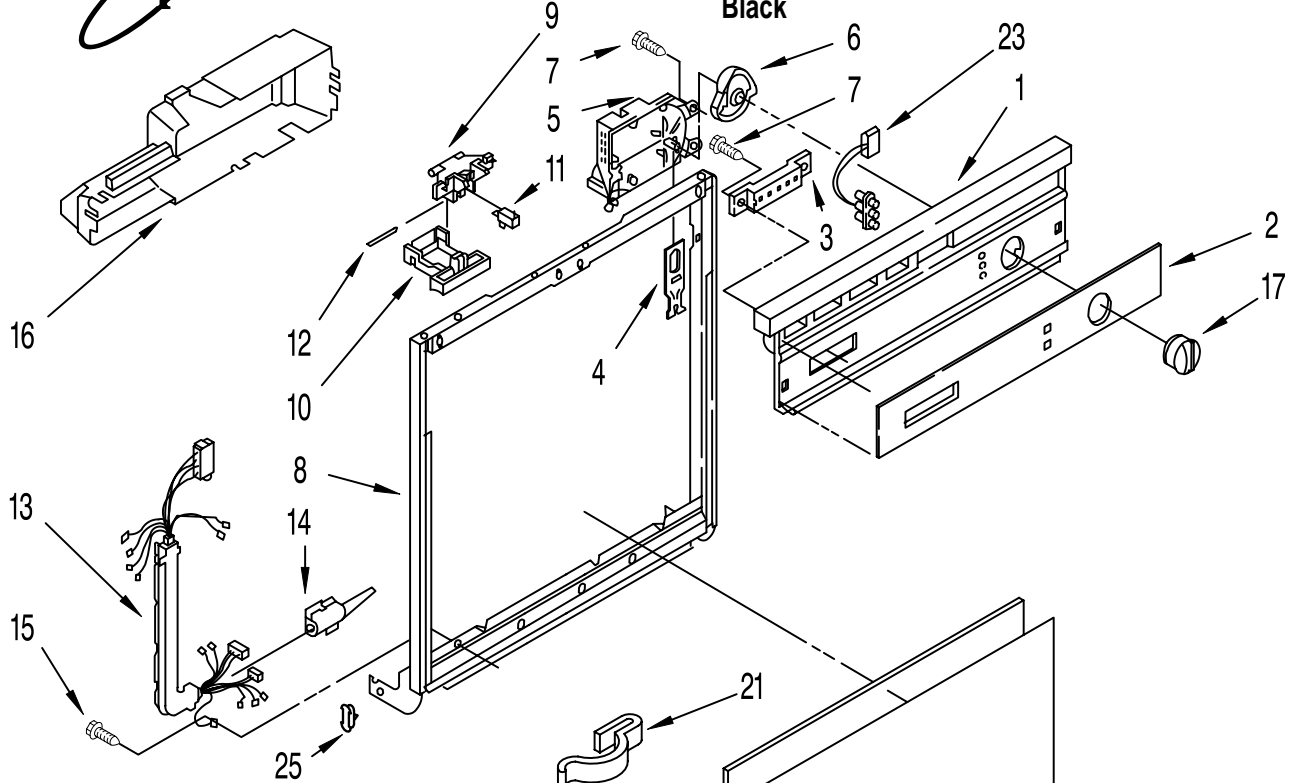




FRAME AND CONSOLE PARTS

For Model: DU915QWDB1
Black

UNDERCOUNTER
DISHWASHER



Illus. No.	Part No.	DESCRIPTION
1	3375278	Console (Includes Item 2)
2	3378208	Insert, Console
3	3378078	Switch
4	3369529	Follower, Cam
5	3376353	Timer
6	3378124	Cam
7	304231	Screw,
8	3374711	Door Frame (Includes Item 24)
9	3368953	Bolt, Latch
10	3369457	Lever, Latch
11	3369325	Switch, (2)
12	3368955	Pin, Switch (2)
13	3378942	Harness and Protector
14	3376405	Elbow, Harness
15	3400803	Screw
16	3369192	Cover Timer
17	3375348	Knob, Timer
18	3374777	Sound Absorber
19	3369516	†Panel, Front (Almond/Black)
20	3374010	Retainer, Panel
21	98997	Clip, Harness
23	3369318	Light Assembly
24	3374716	Channel, Retainer (Also Order Item #20)
25	3373234	Bearing, Spring (2)

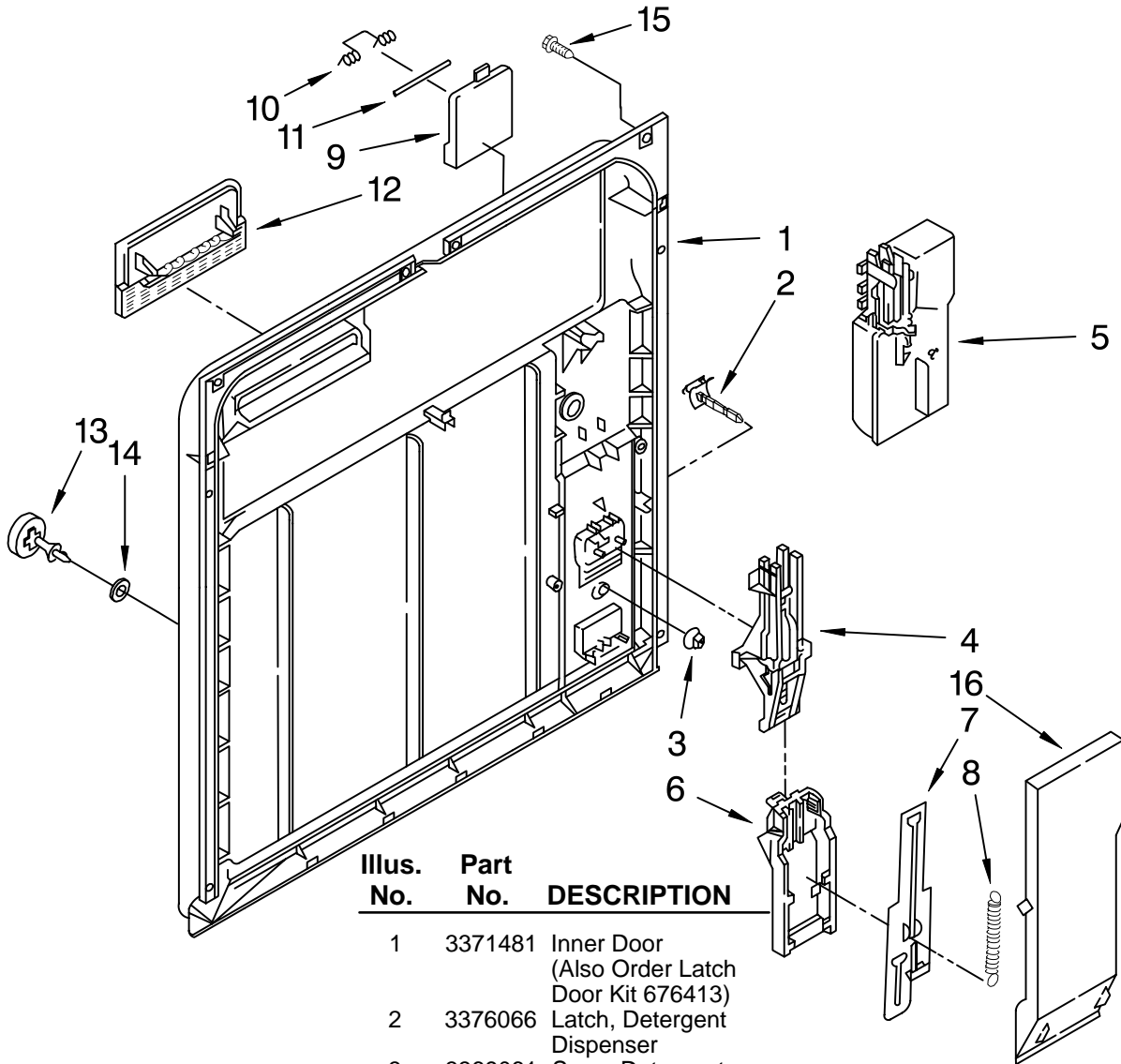
†Refer To Dishwasher Replacement
Panel Parts List No. 675345.

FOR ORDERING INFORMATION REFER TO PARTS PRICE LIST

INNER DOOR PARTS

For Model: DU915QWDB1

Black

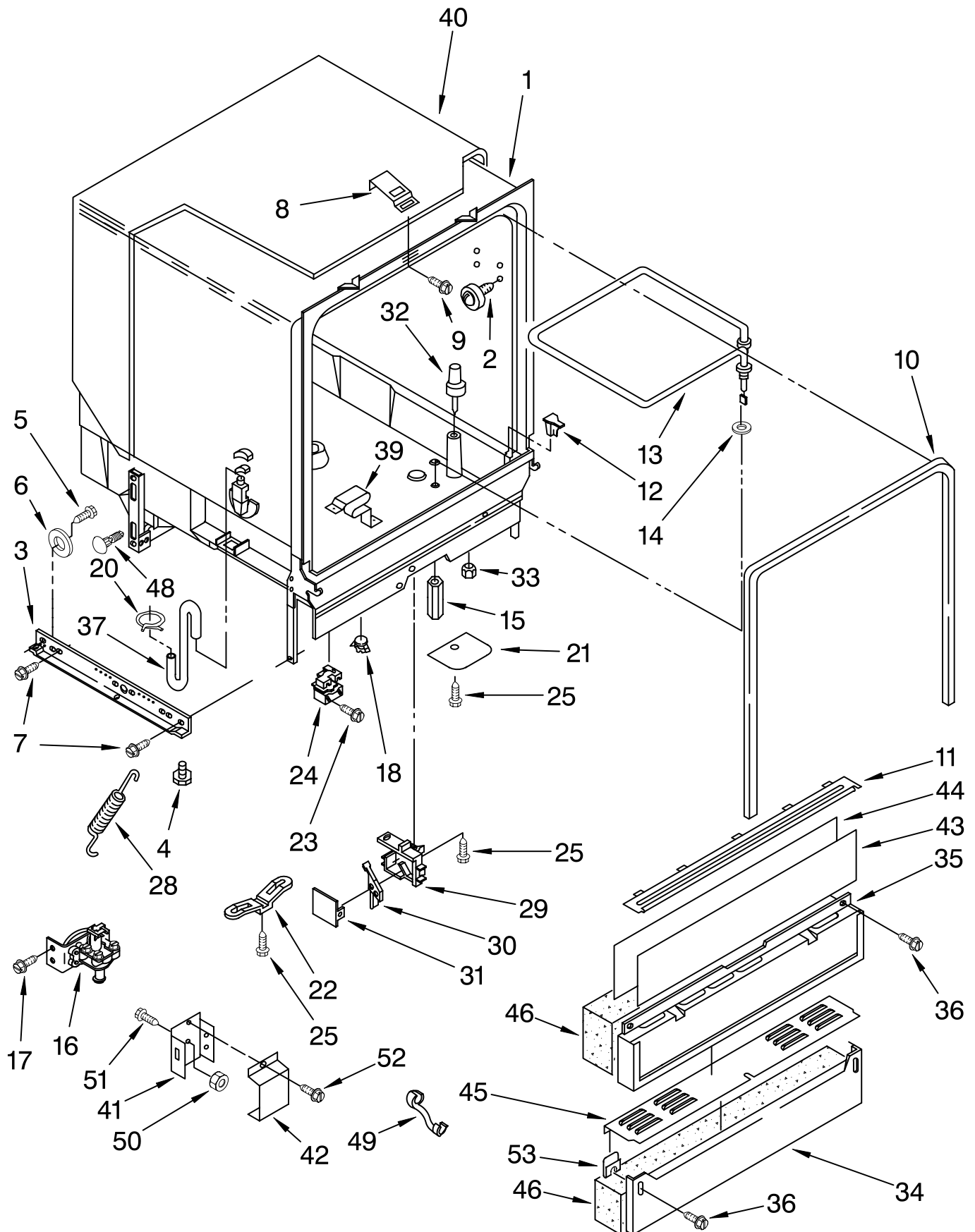


Illus. No.	Part No.	DESCRIPTION
1	3371481	Inner Door (Also Order Latch Door Kit 676413)
2	3376066	Latch, Detergent Dispenser
3	3369061	Snap, Detergent Dispenser
4	3369055	Actuator Assembly
5	3368967	Wet Agent, Dispenser
6	3369000	Draw Bar (Upper Dispenser)
7	3369602	Draw Bar (Lower Dispenser)
8	3368999	Spring (Draw Bar)
9	3376404	Lid Assembly
10	300106	Spring, Lid
11	3372028	Pin (Lid Hinge) (Also Order Item #10)
12	3371710	Screen, Vent
13	3369512	Wet-Agent Cap Assembly
14	3369155	Seal (Wet-Cap)
15	3369051	Screw
16	3371569	Cover, Drip

FOR ORDERING INFORMATION REFER TO PARTS PRICE LIST

TUB ASSEMBLY PARTS

For Model: DU915QWDB1
Black



FOR ORDERING INFORMATION REFER TO PARTS PRICE LIST

TUB ASSEMBLY PARTS

For Model: DU915QWDB1
Black

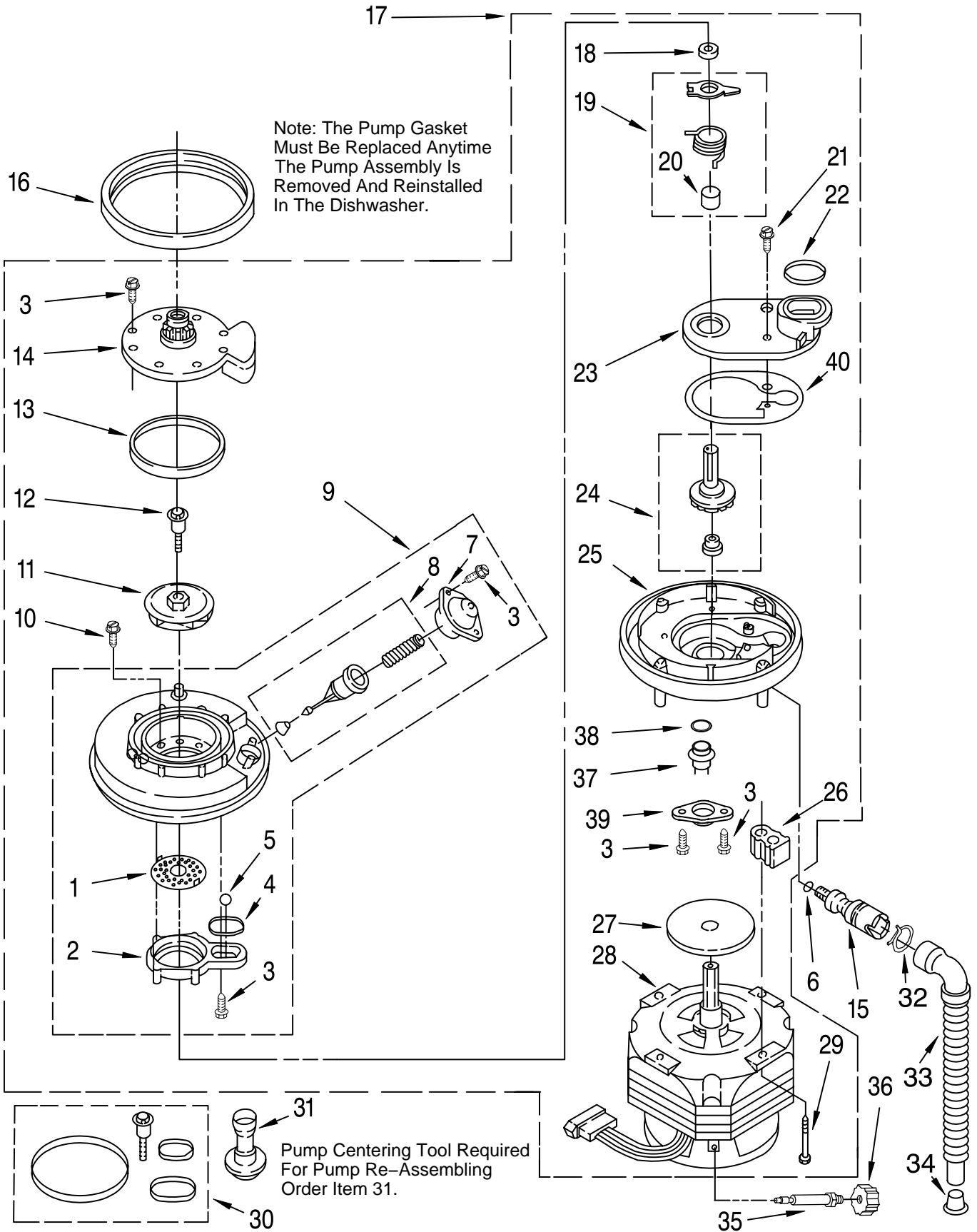
Illus. No.	Part No.	DESCRIPTION	Illus. No.	Part No.	DESCRIPTION	Illus. No.	Part No.	DESCRIPTION
1	3375130	Tub Assembly	20	301958	Clamp	41	3370292	Terminal Box
2	3369078	Tub, Wheel Assembly (8)	21	3376149	Shield, Thermostat	42	300068	Cover Assembly, Terminal Box
3	3368933	Runner (2)	22	3378595	Bracket, Thermostat	43		†Access Panel
4	3376439	Leveler (2)	23	3370225	Screw		3369527	(Almond/Black)
5	3370389	Screw, Shoulder	24	3369447	Relay	44	3369526	Spacer, Corrugated
6	302819	Wheel (2)	25	304231	Screw	45	3374728	Extension & Clip Assembly
7	343641	Screw,	28	3374343	Spring, Door (2)	46	3382404	Insulation, Toe & Access
8	3374719	Plate, Latch	29	3369048	Housing, Float Switch	48	304666	Retainer, Push (2)
9	3374720	Screw	30	3369067	Switch, Float	49	3370307	Strain Relief
10	3376927	Gasket	31	3369049	Cover, Switch Housing	50	3371579	Nut
11	3372412	Retainer, Access Panel	32	3376397	Float & Washer Assembly	51	3371578	Screw
12	3369052	Deflector (2)	33	717488	Nut	52	3369138	Screw
13	3376843	Heater	34	3368942	Toe Panel	53	3378123	Clip, Grounding
14	717273	Washer, Rubber (2)	35	3369193	Panel, Access			
15	3369073	Nut (2) (Heater Terminal)	36	302868	Screw			
16	3378779	Water Valve	37	3369414	Hose, Inlet			
17	304392	Screw	39	3368987	Support, Heater			
18	3369777	Thermostat, Hi-Limit	40	9743172	Sound Shield			

† Refer To Dishwasher Replacement Panel Parts List No. 675345.

PUMP AND MOTOR PARTS

For Model: DU915QWDB1

Black



FOR ORDERING INFORMATION REFER TO PARTS PRICE LIST

PUMP AND MOTOR PARTS

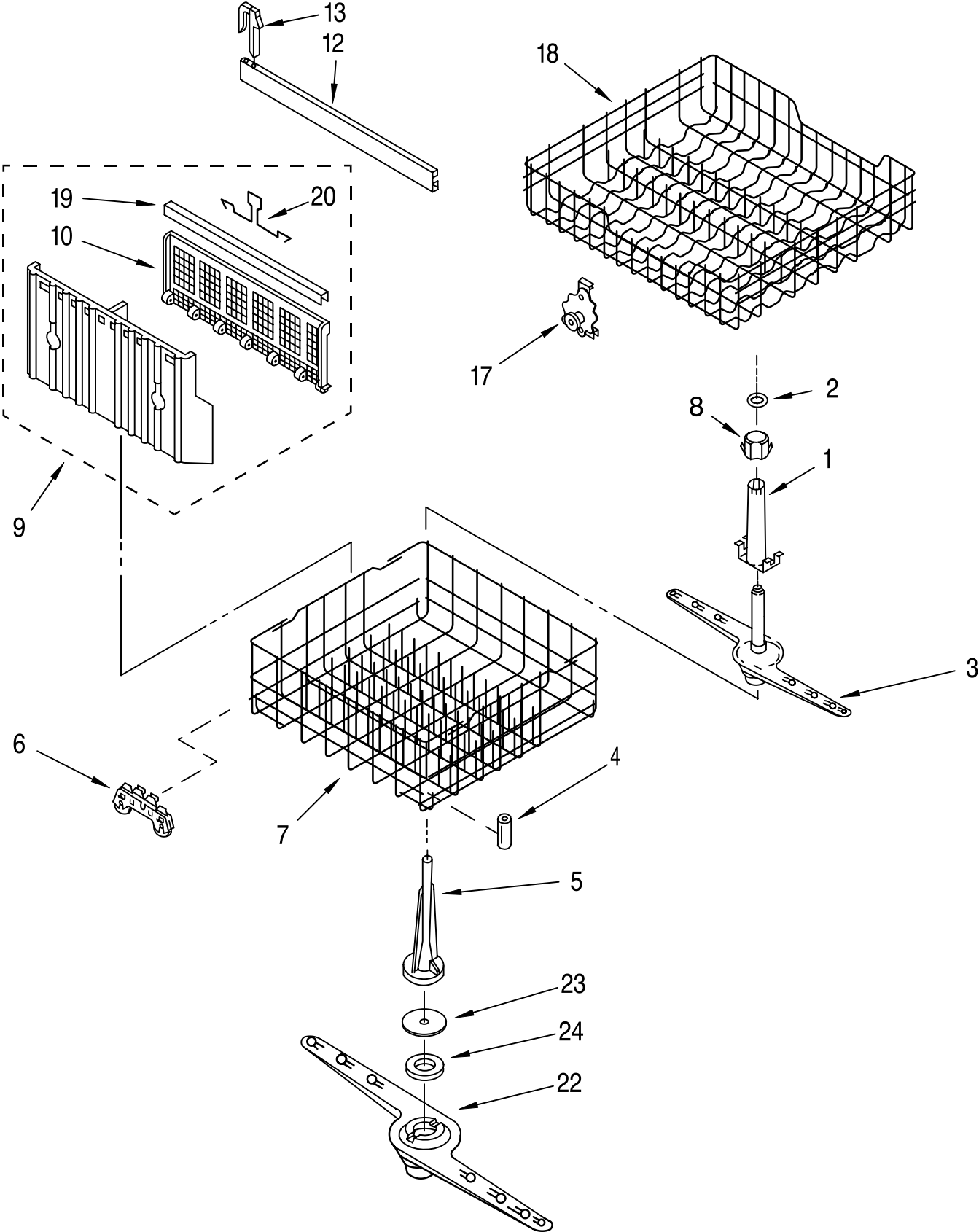
For Model: DU915QWDB1
Black

Illus. No.	Part No.	DESCRIPTION	Illus. No.	Part No.	DESCRIPTION	Illus. No.	Part No.	DESCRIPTION
1	9740982	Plate, Perforated (Includes Item 5) (Also Order Item 30) See Note A.	14	3369478	Outlet, Pump (Includes Item 13)	26	3367197	Support, Pump Mounting (4)
2	3367173	Base, Inlet (Includes Items 1 & 5) (Also Order Item 30) See Note A.	15	3369482	Check Valve (Includes Item 6)	27	3368270	Slinger (See Note A.)
3	9741232	Screw	16	717000	Gasket, Pump	28	3376765	Motor (Includes Item 27) (Also Order Item 30) See Note A.
4	302710	Seal, Inlet Base	17	3376752	Pump & Motor Assembly (Includes Item 16)	29	3369331	Screw
5	302709	Ball, Check	18	302707	Bushing, Grind	30	675505	Pump Seal Kit (Includes Items 4, 12, 13 & 22)
6	95080	"O" Ring	19	302718	Chopper Kit (Also Order Item 30) See Note A.	31	303918	Tool, Pump Centering
7	302721	Cover, Valve	20	302705	Sleeve, Drain Impeller	32	356138	Clamp, Hose
8	302738	Valve Stem Kit (Includes Items 12, 13 & 22) See Note A.	21	9741321	Screw	33	3374077	Hose, Drain
9	303882	Separator Assembly (Includes Items 12, 13 & 22) See Note A.	22	302704	Seal, Drain Cover	34	3371748	Cap, Drain
10	3400001	Screw	23	3378207	Cover, Drain (Also Order Item 30) See Note A.	35	3374757	Shaft, Absorber
11	303510	Impeller, Wash (Includes Items 12 & 13)	24	303539	Impeller, Drain Kit (Also Order Item 30) See Note A.	36	3374756	Weight, Absorber
12	3371152	Screw & Seal	25	3376157	Base, Pump (Includes Item 24) (Also Order Item 30) See Note A.	37	3378083	Thermostat
13	302711	Seal, Pump Outlet				38	3376723	Seal, O-Ring
						39	3376358	Retainer, Thermostat
						40	9740674	Gasket, Drain Cover

NOTE A:
Pump Centering Tool Required
For Pump Re-Assembling—
Order Item 31.

DISHRACK PARTS

For Model: DU915QWDB1
Black



FOR ORDERING INFORMATION REFER TO PARTS PRICE LIST

DISHRACK PARTS

For Model: DU915QWDB1
Black

Illus. No.	Part No.	DESCRIPTION
1	3368290	Support, Arm (Also Order Items 2 & 8)
2	303722	Clip
3	3368300	Spray Arm, Upper (Also Order Items 2 & 8)
4	3368006	Bumper (2)
5	300848	Tower, Pressure
6	3376961	Wheel & Transport Assembly (4)
7	3370490	Dishrack, Lower (Includes Items 4 & 6)
8	3374702	Support Lock, Spray Arm
9	3369488	Silverware Basket Assembly
10	3369485	Cover, Basket
12	3379489	Track
13	9743472	Stop, Track (4)
17	3373365	Adjuster
18	3368896	Dishrack, Upper
19	717528	Trim, Basket
20	300086	Handle, Basket
22	3369347	Sprayarm, Lower
23	3367910	Cap, Nozzle
24	719576	Bearing, Nozzle

Illus. No.	Part No.	DESCRIPTION
------------	----------	-------------

Illus. No.	Part No.	DESCRIPTION
------------	----------	-------------

OPTIONAL PARTS NOT INCLUDED

PAINT, TOUCH-UP (1/2oz.)

72017 White
72107 Almond
72032 Black

PAINT, PRESSURIZED SPRAY (13 oz.)

350956 Almond
285006 Superior Black
350941 Primer (White)

PAINT, TOUCH-UP (1 qt.)

978883 Almond (Uncut)
799340 Black (Uncut)

DISHRACK REPAIR

675576 Vinyl Touch-Up
(Blue)
675677 Tine Tip Repair
Kit (Blue—
Enough For Two
Complete
Dishracks)
676453 Vinyl Touch-Up
(White)
675679 Tine Tip Repair
Kit (White—
Enough For Two
Complete
Dishracks)
676455 Vinyl Touch-Up
(Grey)
676458 Tine Tip Repair
Kit (Grey—
Enough For Two
Complete
Dishracks)

ACCESSORY PARTS

4317925 White
4317929 Almond

4318050 Heavy Duty

LITERATURE PARTS

LIT3369679 Instructions,
Installation
LIT3367007 Instructions,
Installation
(Supplement)
(Locating Your
Water Supply)
LIT3379136 Energy Guide
LIT3376816 Guide, Use & Care
LIT3379056 Wiring Diagram
LIT0677967 Do-It Yourself,
Manual