



# Undercounter Dishwasher

## PRODUCT MODEL NUMBERS

DU1300XTV

**Electrical Requirements:** 120 volt, 60 Hz, AC only, 15- or 20-amp. fused electrical supply. Copper wire only. Wiring must be 2-wire with ground. A time-delay fuse or circuit breaker and separate circuit is recommended.

**If direct wiring dishwasher:** Use flexible, armored or non-metallic, sheathed copper wire with grounding wire that meets the wiring requirements for your home and local codes and ordinances.

Use a U.L.-listed or CSA-approved conduit connector.

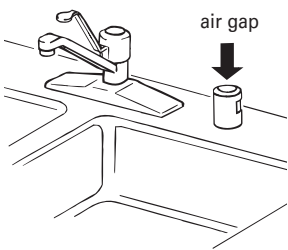
**If connecting dishwasher with a power supply cord:** Use Power Supply Cord Kit (Part No. 4317824) marked for use with dishwashers. Follow the kit instructions for installing the power supply cord.

Power supply cord must plug into a grounded three-prong, outlet, located in the cabinet next to the dishwasher opening. Outlet must meet all local codes and ordinances.

**Water Supply Requirements:** A hot water line with 20-120 psi (138-862 kPa) water pressure. Water temperature must be 120°F (49°C) water at dishwasher. Use 3/8" O.D. copper tubing with compression fitting or flexible braided water supply line (1/2" minimum plastic tubing is not recommended). Use a 90° elbow with 3/8" N.P.T. external pipe threads on one end. Do not solder within 6" (15.2 cm) from water inlet valve.

**Drain Requirements:** A new drain hose is supplied with your dishwasher. If this is not long enough, use a new drain hose with a maximum length of 12' (3.7 m) (Part No. 3385556) that meets all current AHAM/IAPMO test standards, is resistant to heat and detergent, and fits the 1" (2.5 cm) drain connector of the dishwasher.

Make sure to connect the drain hose to waste tee or disposer inlet above drain trap in house plumbing and 20" (50.8 cm) minimum above the floor. It is recommended that the drain hose either be looped up and securely fastened to the underside of the counter, or be connected to an air gap.



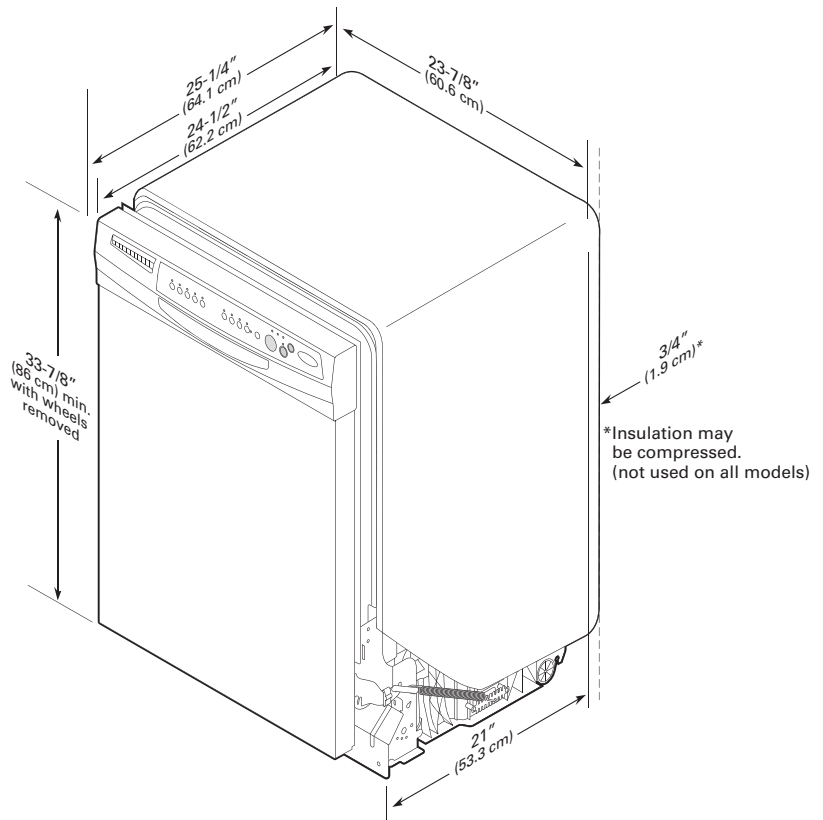
Make sure to use an air gap if the drain hose is connected to house plumbing lower than 20" (50.8 cm) above subfloor or floor.

Use 1/2" (1.27 cm) minimum I.D. drain line fittings.

If required, the air gap

should be installed in accordance with the air gap installation instructions. When connecting the air gap a rubber hose (not provided) will be needed to connect to the waste tee or disposer unit.

## PRODUCT DIMENSIONS



\*Insulation may be compressed. (not used on all models)

## CABINET CUTOUT DIMENSIONS

Corner locations require a 2" (5.1 cm) minimum clearance between the side of the dishwasher door and the wall or cabinet.

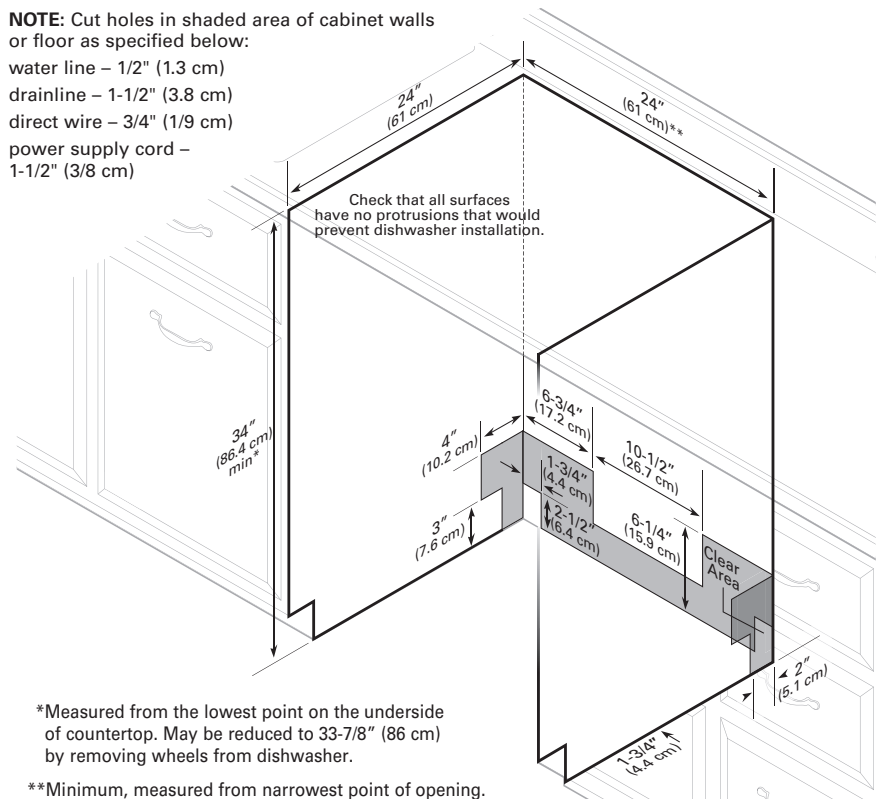
**NOTE:** Cut holes in shaded area of cabinet walls or floor as specified below:

water line – 1/2" (1.3 cm)

drainline – 1-1/2" (3.8 cm)

direct wire – 3/4" (1.9 cm)

power supply cord – 1-1/2" (3.8 cm)



\*Measured from the lowest point on the underside of countertop. May be reduced to 33-7/8" (86 cm) by removing wheels from dishwasher.

\*\*Minimum, measured from narrowest point of opening.