



Undercounter Dishwasher

PRODUCT MODEL NUMBERS

GU3100XTV

Requirements:

- 120-volt, 60 Hz, AC-only, 15- or 20-amp fused electrical supply
- Copper wire only, 2 wire with ground

Recommended:

- Time-delay fuse or circuit breaker
- Separate circuit

Direct Wire Connection:

- Use flexible, armored or nonmetallic sheathed, copper wire with grounding wire that meets the wiring requirements for your home and local codes and ordinances.
- Use strain relief method provided with house wiring junction box or install a UL-listed/CSA-certified clamp connector to the house wiring junction box. If using conduit, use a UL-listed/CSA-certified conduit connector.

Power Supply Cord Connection:

Use Power Supply Cord Kit (Part Number 4317824) marked for use with dishwashers. Kit contents include:

- Voltex, Inc., UL listed 16 gauge 3-wire power supply cord with 3 prong grounding plug
- Neer C-500 7/8" strain relief
- 3 wire connectors
- Part Number 302797 grommet

Follow the kit instructions for installing the power supply cord.

NOTE: Power supply cord must plug into a mating three prong, grounded outlet, located in the cabinet next to the dishwasher opening. Outlet must meet all local codes and ordinances.

IMPORTANT: If you plan to install a garbage disposal, an additional separate 120-volt, 60 Hz, AC-only, 15- or 20-amp fused electrical supply is required.

Water Supply Requirements:

- A hot water line with 20-120 psi (138-862 kPa) water pressure.
- 120°F (49°C) water temperature at dishwasher.
- 3/8" O.D. copper tubing with compression fitting or flexible braided water supply line.
NOTE: 1/2" minimum plastic tubing is not recommended.
- 90° elbow with 3/8" N.P.T. external pipe threads on one end.

IMPORTANT: Do not solder within 6" (15.2 cm) from water inlet valve.

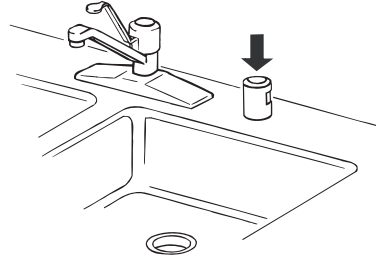
Drain Requirements:

- Use the new drain hose supplied with your dishwasher.
NOTE: If a longer drain hose is required:
 - Use a new drain hose with maximum length of 10 ft (3 m) that meets all current AHAM/IAPMO test standards
 - Use a new drain hose that is resistant to heat and detergent
 - Use a new drain hose that fits the 1" (2.5 cm) drain connector on the dishwasher.
- Connect drain hose to waste tee or disposal inlet above drain trap in house plumbing.
- Connect drain hose to house plumbing 20" (50.8 cm) minimum above the floor.

NOTE: It is recommended that the drain hose either be looped up and securely fastened to the underside of the counter, or be connected to an air gap.

- Use a drain air gap if the drain hose is connected to house plumbing lower than 18" (45.7 cm) above the subfloor or floor.

Drain Air Gap:



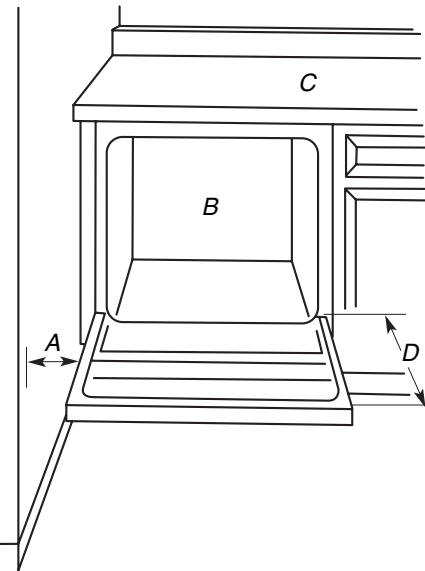
- Use 1/2" (1.3 cm) minimum I.D. drain line fittings.

NOTE: Do not connect drain lines from other devices to the dishwasher drain hose.

MINIMUM CLEARANCES

Check location where the dishwasher will be installed. The location must provide:

- Easy access to water, electricity and drain.
- Convenient access for loading and unloading dishes. Corner locations require 2" (5.1 cm) minimum clearance between the side of the dishwasher door and the wall or cabinet.
- A minimum of 25 5/8" (65.1 cm) is required in front of the dishwasher to allow the door to open fully.



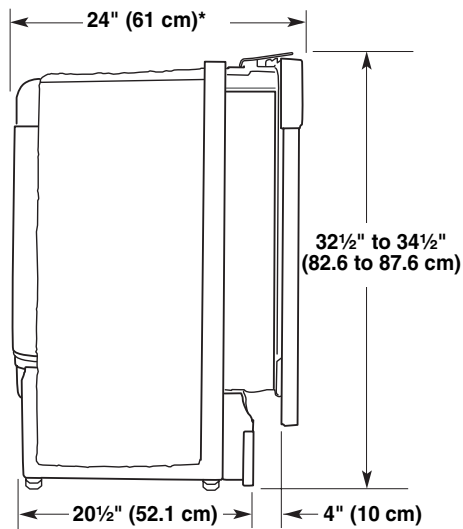
A. 2" (5.1 cm) minimum clearance for door opening
B. Dishwasher

C. Countertop
D. 25 5/8" (65.1 cm) minimum

- Square opening for proper orientation.
- Cabinet front perpendicular to floor.
- Level floor. If the floor at the front of the dishwasher is not level with the rear of the opening, shims may be needed to level the dishwasher.
NOTE: To avoid shifting during dishwasher operation, shims must be securely attached to the

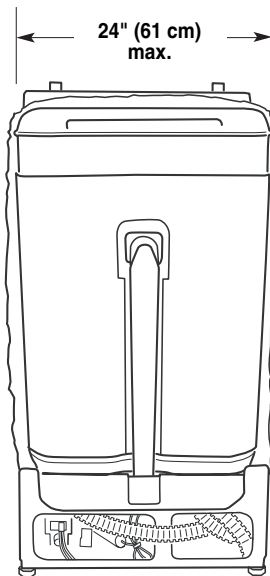
PRODUCT DIMENSIONS

Side View



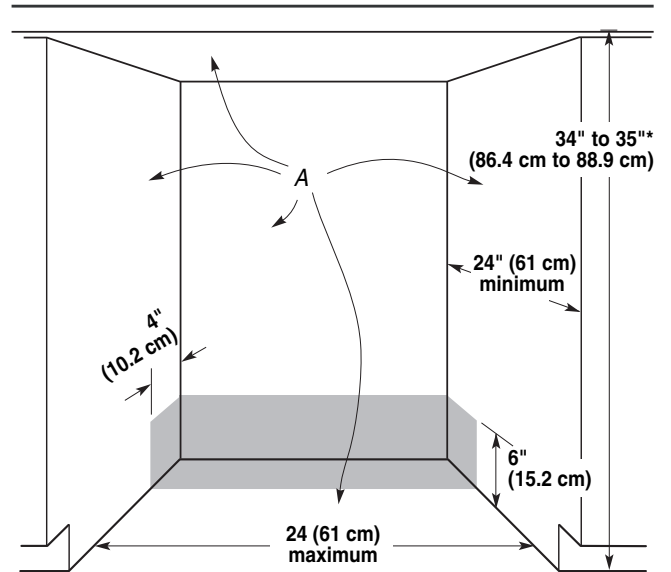
* To front of door frame

Rear View



INSTALLATION CLEARANCES

Cutout Dimensions



A. All surfaces free from intrusions

* Underside of countertop to floor

NOTES:

- Cut holes in shaded area of cabinet walls or floor for plumbing and electrical service.
- ADA installation—32½" (82.5 cm) beneath 34" (86.4 cm) high countertops may be accomplished by adjusting the toe kick and leveling legs.